



US00D765574S

(12) **United States Design Patent** (10) **Patent No.:** **US D765,574 S**  
**Hale, Jr.** (45) **Date of Patent:** **\*\* Sep. 6, 2016**

- (54) **VEHICLE-WHEEL FRONT FACE**
- (71) Applicant: **Mobile Hi-Tech Wheels**, Rancho Dominguez, CA (US)
- (72) Inventor: **Arthur Hale, Jr.**, Long Beach, CA (US)
- (73) Assignee: **Mobile Hi-Tech Wheels**, Rancho Dominguez, CA (US)
- (\*\*) Term: **14 Years**
- (21) Appl. No.: **29/504,166**
- (22) Filed: **Oct. 2, 2014**
- (51) **LOC (10) Cl.** ..... **12-16**
- (52) **U.S. Cl.**  
USPC ..... **D12/211**
- (58) **Field of Classification Search**  
USPC ..... D12/204–213; 301/37.101, 64.101, 65  
See application file for complete search history.

- D671,062 S \* 11/2012 Dilber ..... D12/211
- D721,317 S \* 1/2015 Kern ..... D12/211
- D724,515 S \* 3/2015 Chung ..... D12/209
- D726,626 S \* 4/2015 Mays ..... D12/211
- D727,825 S \* 4/2015 Chung ..... D12/211
- D736,136 S \* 8/2015 Hale, Jr. .... D12/213
- D740,198 S \* 10/2015 Barnes ..... D12/211

\* cited by examiner

*Primary Examiner* — Ian Simmons  
*Assistant Examiner* — Samantha Q Lawrence  
(74) *Attorney, Agent, or Firm* — Lewis Roca Rothgerber Christie LLP

(57) **CLAIM**  
The ornamental design for vehicle-wheel front face, as shown and described.

**DESCRIPTION**

FIG. 1 is a perspective view of a vehicle-wheel front face according to my new design; FIG. 2 is a front elevational view thereof; and, FIG. 3 is a side elevational view thereof. The broken lines shown in FIGS. 1-3 on the side of the wheel, the bolt holes, and center cap in the central hub illustrate portions of the vehicle-wheel front face that form no part of the claimed design. The dash-dot lines on the sides of the spoke segment shown in FIGS. 1-3 illustrate the boundary of the claimed design and forms no part of the claimed design.

**1 Claim, 3 Drawing Sheets**

- (56) **References Cited**  
U.S. PATENT DOCUMENTS  
D243,169 S \* 1/1977 Suzuki ..... D12/205  
4,256,348 A \* 3/1981 Lester ..... B60B 1/08  
29/447  
D507,518 S \* 7/2005 Scheu ..... D12/209  
D508,006 S \* 8/2005 Laengerer ..... D12/209  
D527,326 S \* 8/2006 Pfeiffer ..... D12/209  
D538,729 S \* 3/2007 Pfeiffer ..... D12/209

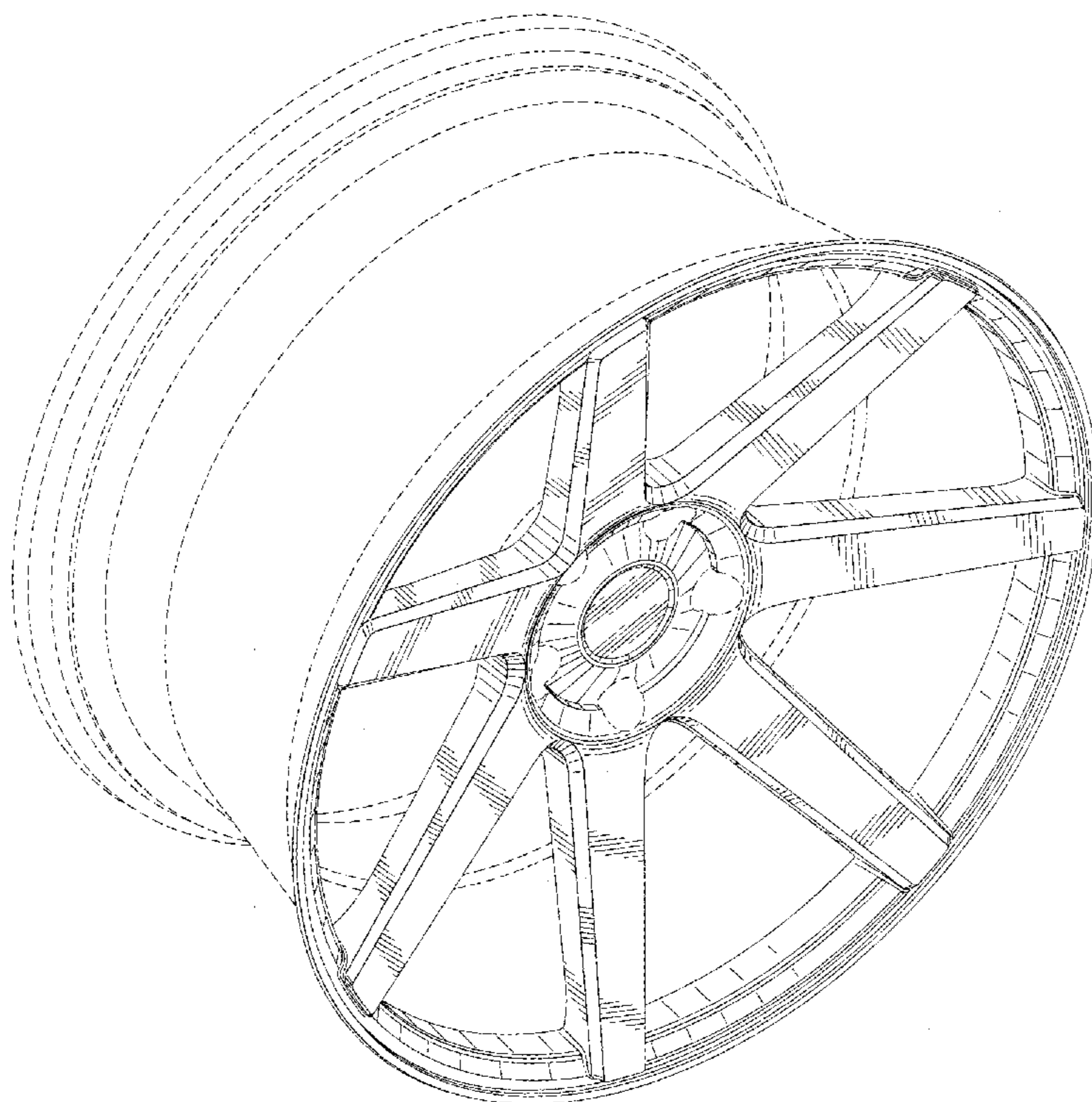
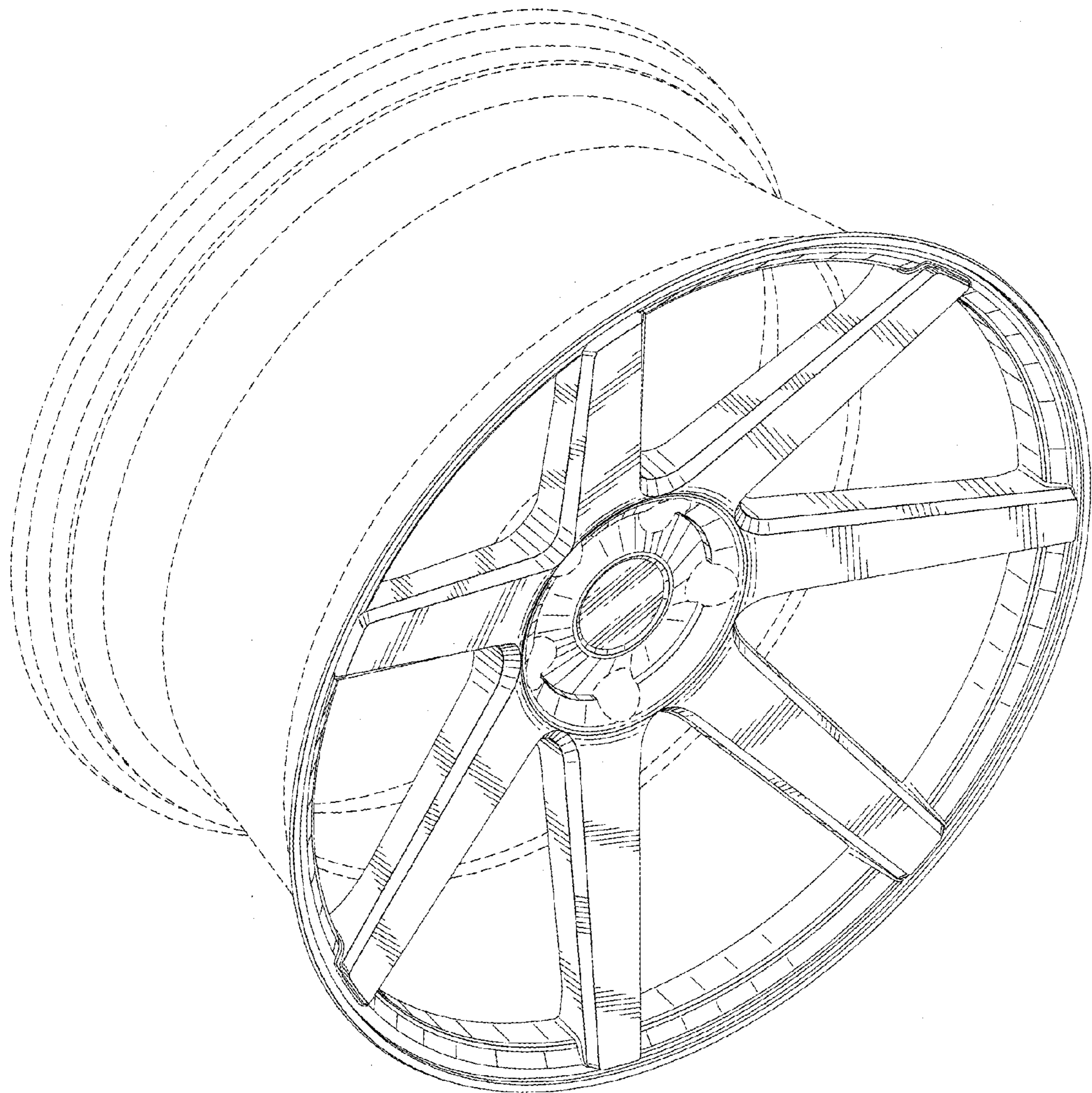
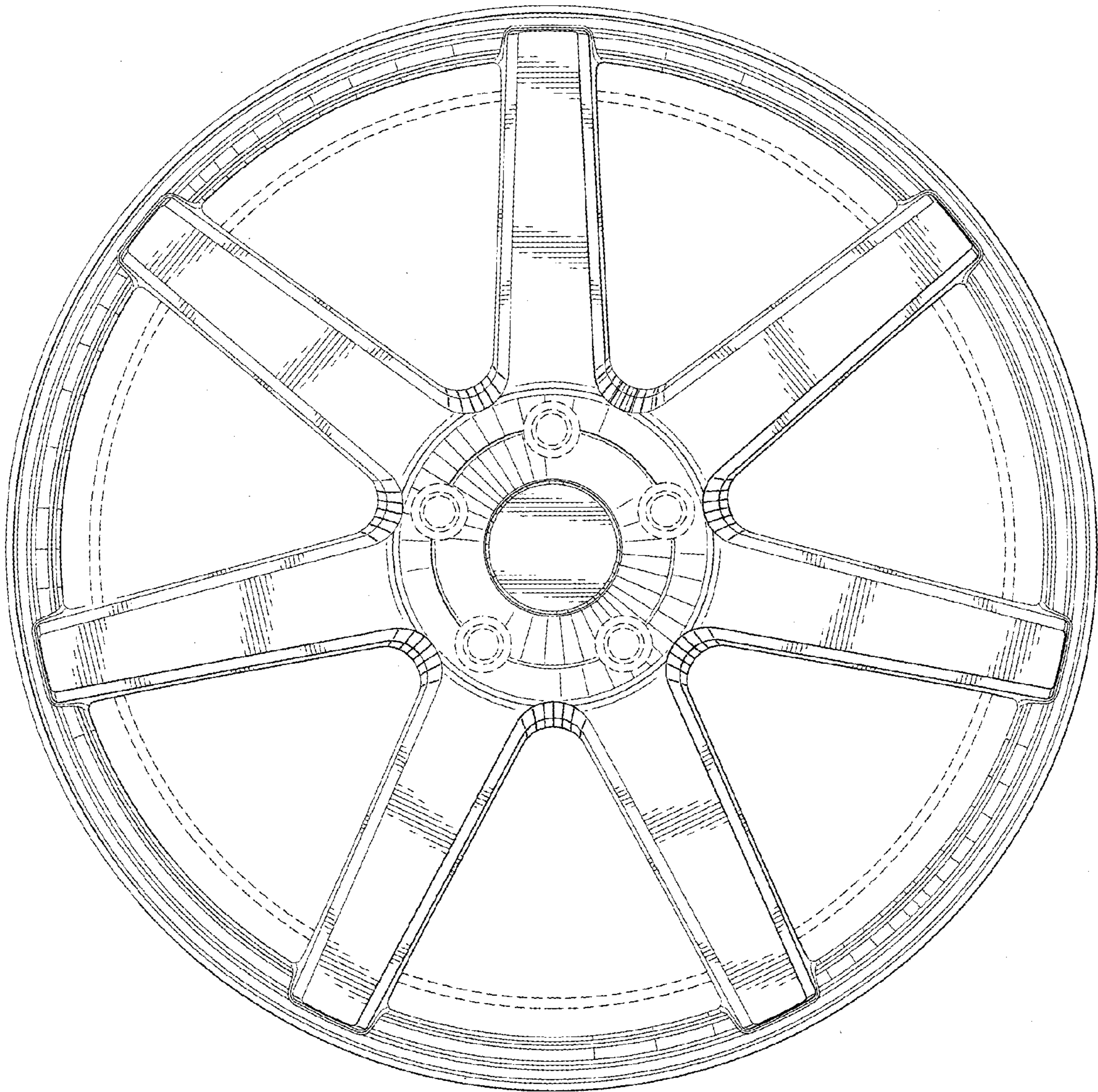


FIG. 1





*FIG. 2*



*FIG. 3*

