



US00D765568S

(12) **United States Design Patent**
Frascella

(10) **Patent No.:** **US D765,568 S**

(45) **Date of Patent:** **** Sep. 6, 2016**

(54) **VEHICLE HOOD**

(71) Applicant: **Jaguar Land Rover Limited**, Coventry (GB)

(72) Inventor: **Massimo Frascella**, Coventry (GB)

(73) Assignee: **Jaguar Land Rover Limited** (GB)

(**) Term: **14 Years**

(21) Appl. No.: **29/515,245**

(22) Filed: **Jan. 21, 2015**

(30) **Foreign Application Priority Data**

Jul. 22, 2014 (EM) 002507228
Jul. 22, 2014 (EM) 002507269

(51) **LOC (10) Cl.** **12-16**

(52) **U.S. Cl.**
USPC **D12/173**

(58) **Field of Classification Search**

USPC D12/173, 196, 86, 90-92, 181;
180/69.21, 69.2, 69.22;
296/190.1-190.5, 190.8, 193.11, 37.6
CPC B62D 25/10; B62D 25/06; B62D 65/02;
B62D 25/12; B60Q 1/00
See application file for complete search history.

(56) **References Cited**

U.S. PATENT DOCUMENTS

D612,779 S * 3/2010 Elliott D12/173
D718,188 S * 11/2014 Wheel D12/91

D722,928 S * 2/2015 George D12/173
D740,187 S * 10/2015 Jamieson D12/173
D746,722 S * 1/2016 Henstridge D12/91
D748,545 S * 2/2016 Behmer D12/173
D750,531 S * 3/2016 Watkins D12/91
D750,532 S * 3/2016 Frascella D12/91

* cited by examiner

Primary Examiner — Melody N Brown

(74) *Attorney, Agent, or Firm* — Fishman Stewart PLLC

(57) **CLAIM**

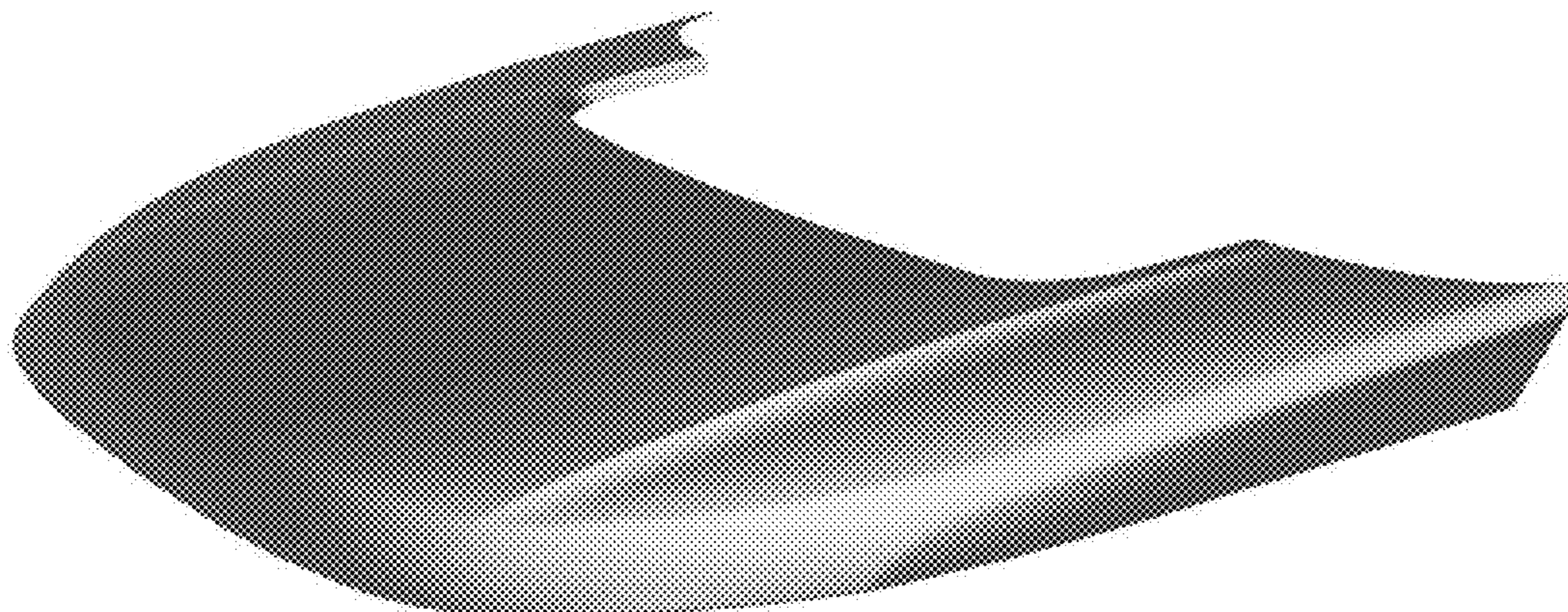
The ornamental design for a vehicle hood, as shown and described.

DESCRIPTION

FIG. 1 is a left front perspective view of vehicle hood; FIG. 2 is a front perspective view of a vehicle hood; FIG. 3 is a front view of a vehicle hood; FIG. 4 is a left side view of a vehicle hood; FIG. 5 is a right side view of a vehicle hood; FIG. 6 is a top view of a vehicle hood; and, FIG. 7 is another front perspective view of a vehicle hood in the installed position on a vehicle.

Portions of the vehicle in FIG. 7 shown in diagonal lines are for illustrative purposes only and form no part of the claimed design.

1 Claim, 4 Drawing Sheets



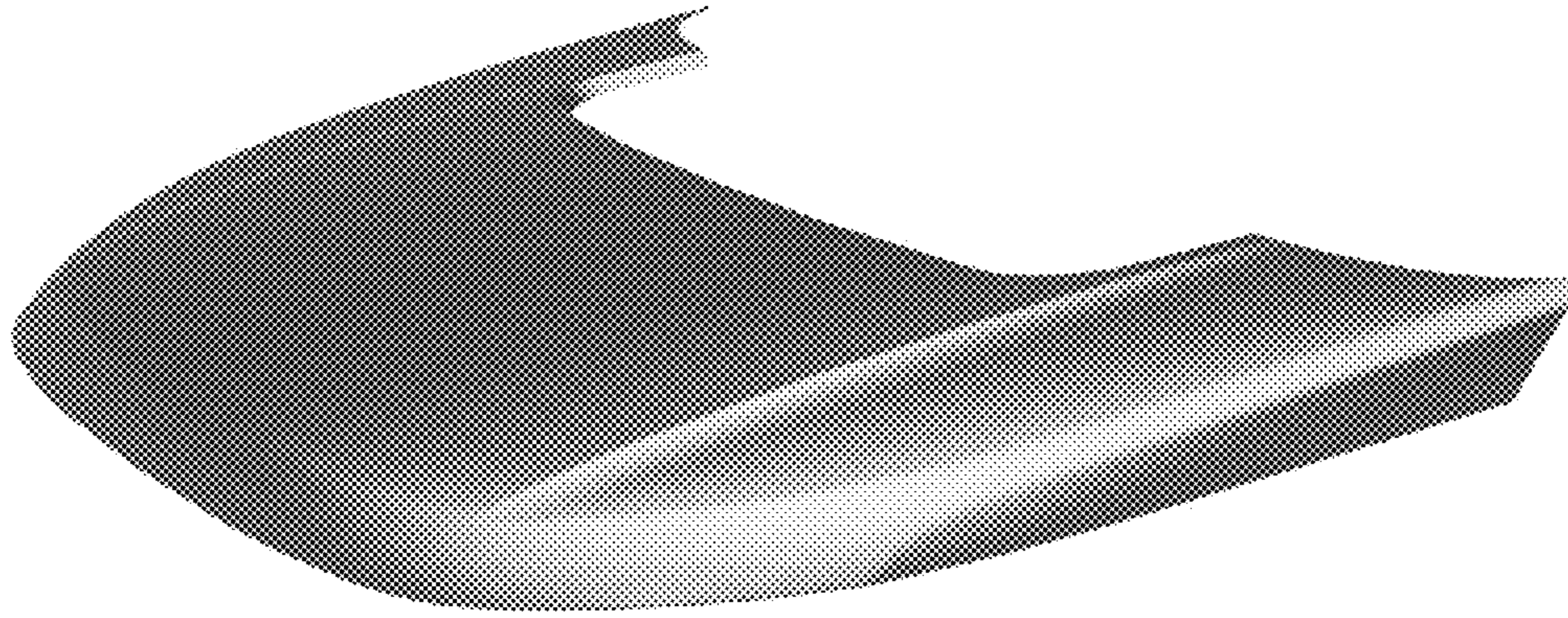


FIG. 1

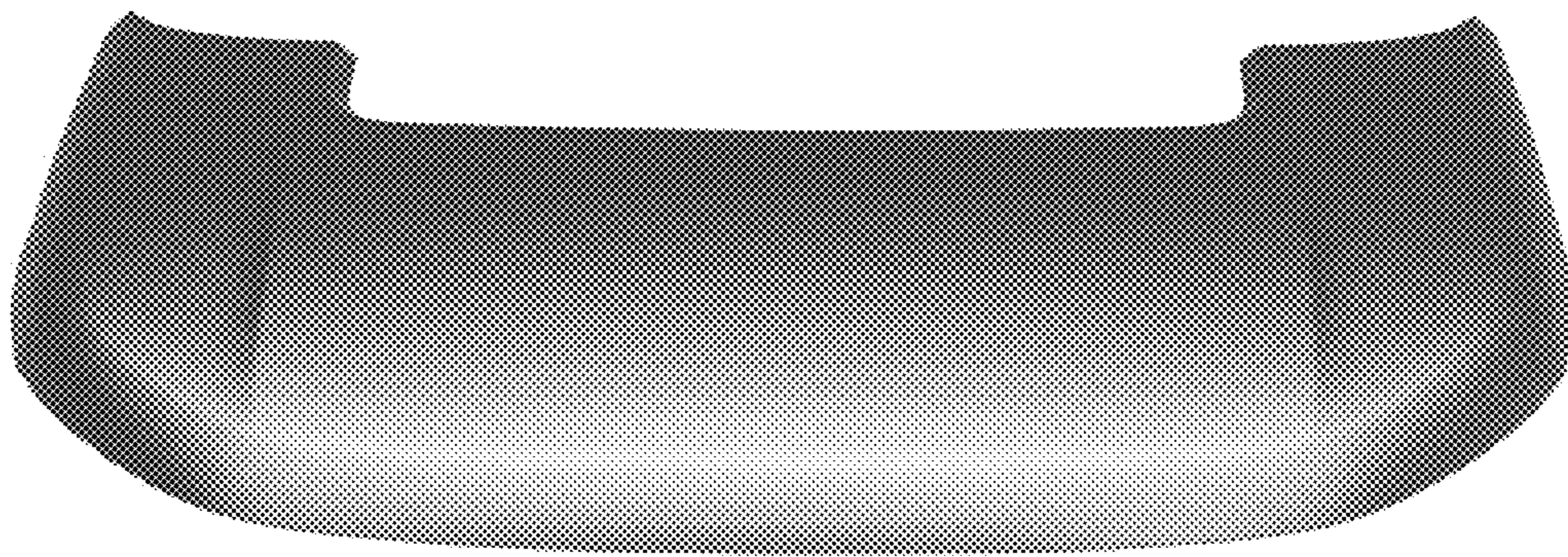


FIG. 2

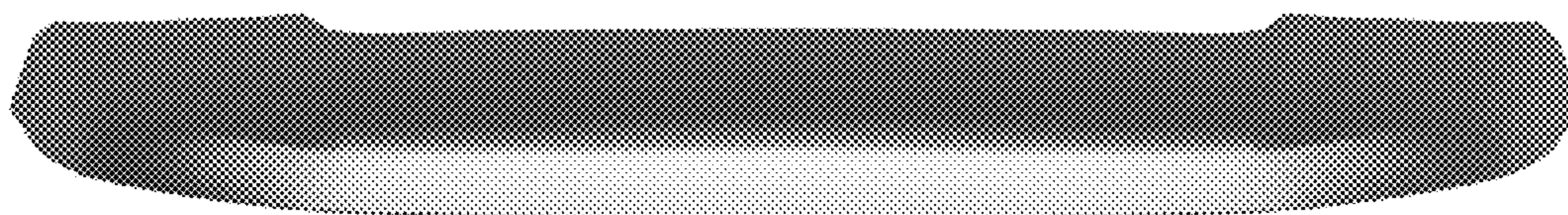


FIG. 3

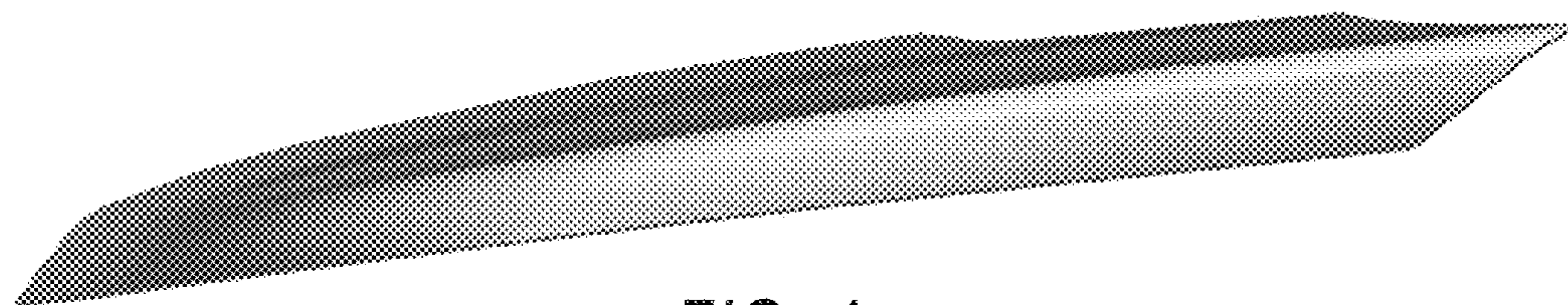


FIG. 4

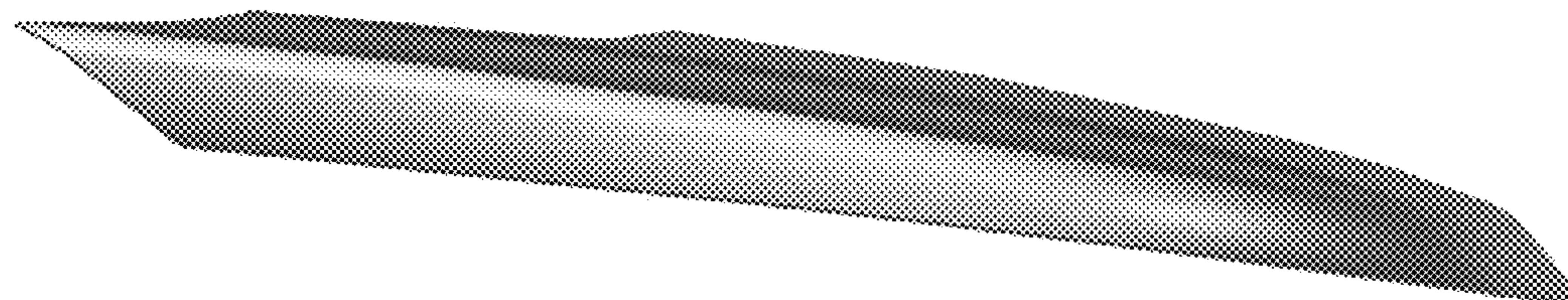


FIG. 5

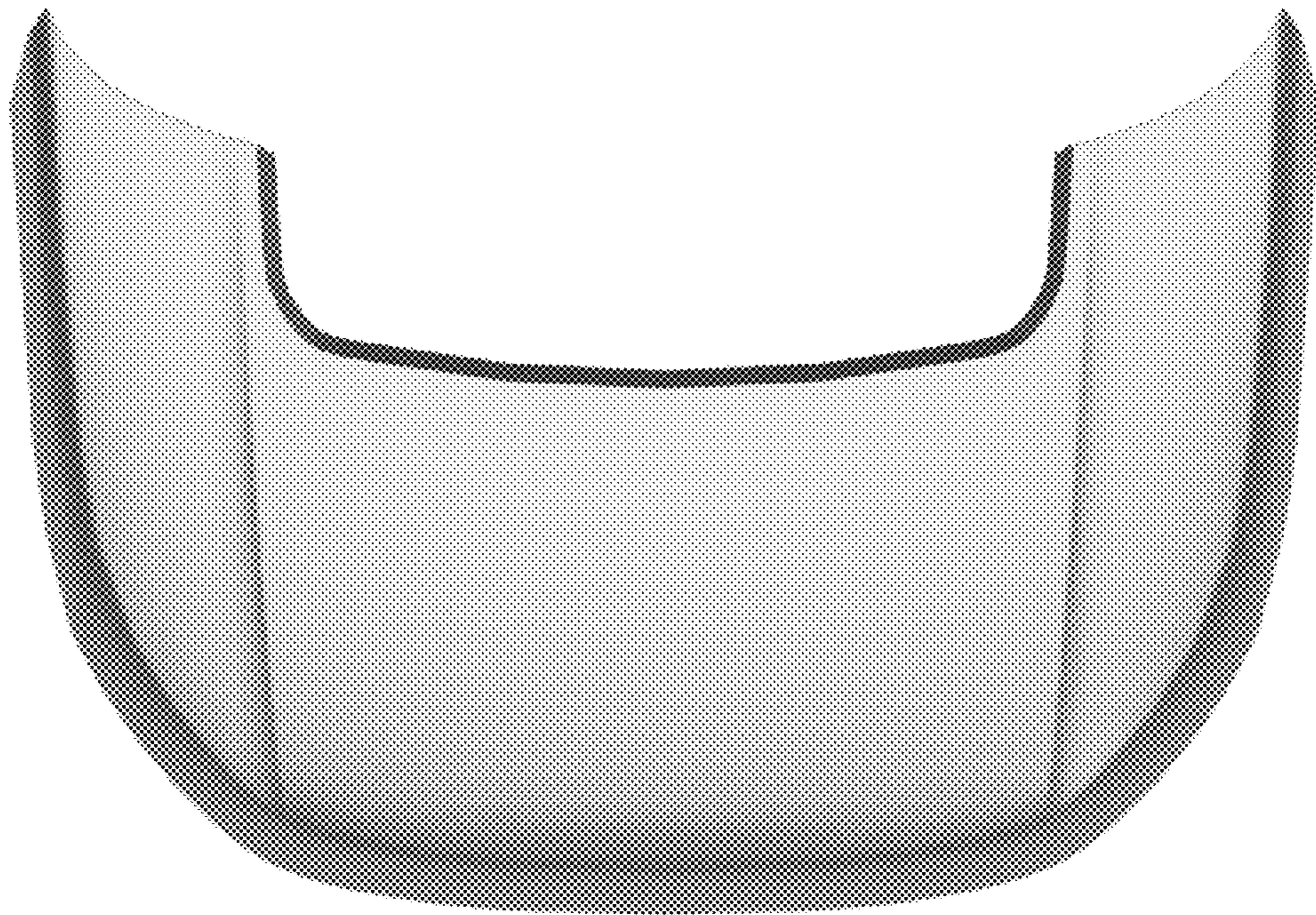


FIG. 6

