



US00D765566S

(12) **United States Design Patent** (10) **Patent No.:** **US D765,566 S**  
**Vena et al.** (45) **Date of Patent:** **\*\* Sep. 6, 2016**

(54) **RADIATOR GRILLE SURROUND FOR A VEHICLE**

(71) Applicant: **Daimler AG**, Stuttgart (DE)

(72) Inventors: **Donald Vena**, Vancouver, WA (US);  
**Paul Shead**, Beaverton, OR (US)

(73) Assignee: **Daimler AG**, Stuttgart (DE)

(\*\*) Term: **14 Years**

(21) Appl. No.: **29/510,239**

(22) Filed: **Nov. 26, 2014**

(30) **Foreign Application Priority Data**

May 27, 2014 (EM) ..... 002471250-0004

(51) **LOC (10) Cl.** ..... **12-16**

(52) **U.S. Cl.**  
USPC ..... **D12/163**; D12/96

(58) **Field of Classification Search**  
USPC ..... D12/86, 90, 91, 163, 164, 165, 166,  
D12/171, 196, 216, 400; D15/1, 5;  
D23/259, 260; 180/68.4, 68.6

CPC ..... B60R 19/00; B60R 19/486  
See application file for complete search history.

(56) **References Cited**

**U.S. PATENT DOCUMENTS**

D243,450 S *	2/1977	MacCready, Jr. ....	D12/96
D326,836 S *	6/1992	Artman .....	D12/181
D389,108 S *	1/1998	Norwood .....	D12/163
D551,599 S *	9/2007	Simons .....	D12/163
D601,932 S *	10/2009	Rosen .....	D12/163
D702,615 S *	4/2014	Conway .....	D12/216
D710,765 S *	8/2014	Conway .....	D12/163
D742,287 S *	11/2015	Hanson .....	D12/163
D746,184 S *	12/2015	Hanson .....	D12/163
2009/0085361 A1 *	4/2009	Rosen .....	B60R 13/04 293/120

**FOREIGN PATENT DOCUMENTS**

GB 2513202 A 10/2014

**OTHER PUBLICATIONS**

“Transformers 4: Meet the upgraded Optimus Prime, new Autobots,” Hero Complex, Los Angeles Times, May 30, 2013.

“Western Star Introduces the All-New 5700XE,” Western Star Trucks Press Releases, Daimler Trucks North America, Sep. 11, 2014.

\* cited by examiner

*Primary Examiner* — Robert M Spear

*Assistant Examiner* — Kendra L Hamilton

(74) *Attorney, Agent, or Firm* — Crowell & Moring LLP

(57) **CLAIM**

The ornamental design for a radiator grille surround for a vehicle, as shown and described.

**DESCRIPTION**

This application contains subject matter related to the following co-pending U.S. design patent applications:

Application Ser. No. 29/509,784, filed Nov. 21, 2014 and entitled “Vehicle, Toy, and/or Replicas Thereof;” and Application Ser. No. 29/510,233, filed Nov. 26, 2014 and entitled “Radiator Grill for a Vehicle.”

FIG. 1 is a right-front perspective view of a radiator grille surround for a vehicle according to our new design, the left-front perspective view being a mirror image thereof;

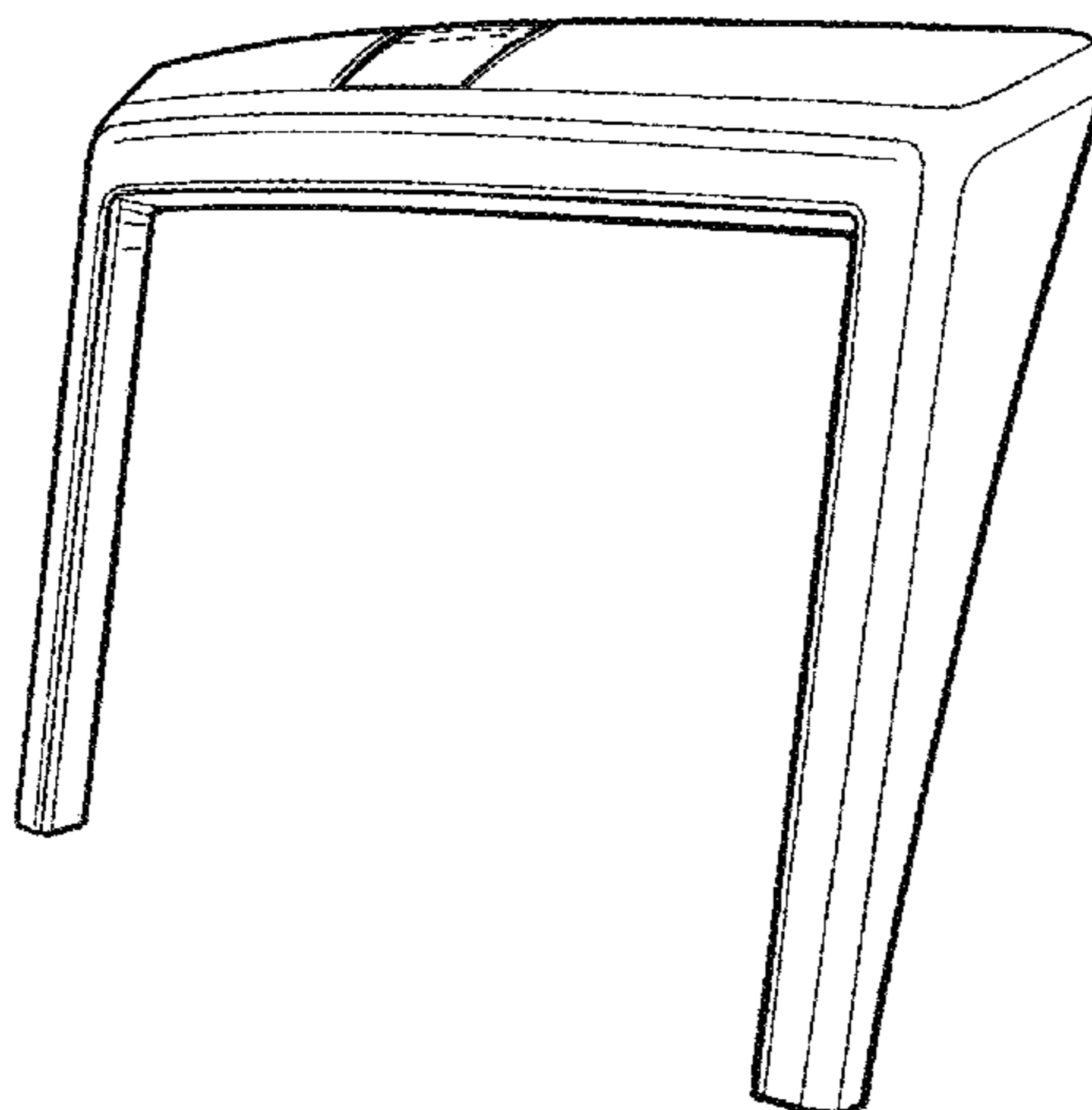
FIG. 2 is a front elevational view thereof;

FIG. 3 is a top plan view thereof; and,

FIG. 4 is a right side elevational view thereof, the left side elevational view being a mirror image thereof.

In the drawings, the broken lines depict environmental subject matter only and form no part of the claimed design.

**1 Claim, 2 Drawing Sheets**



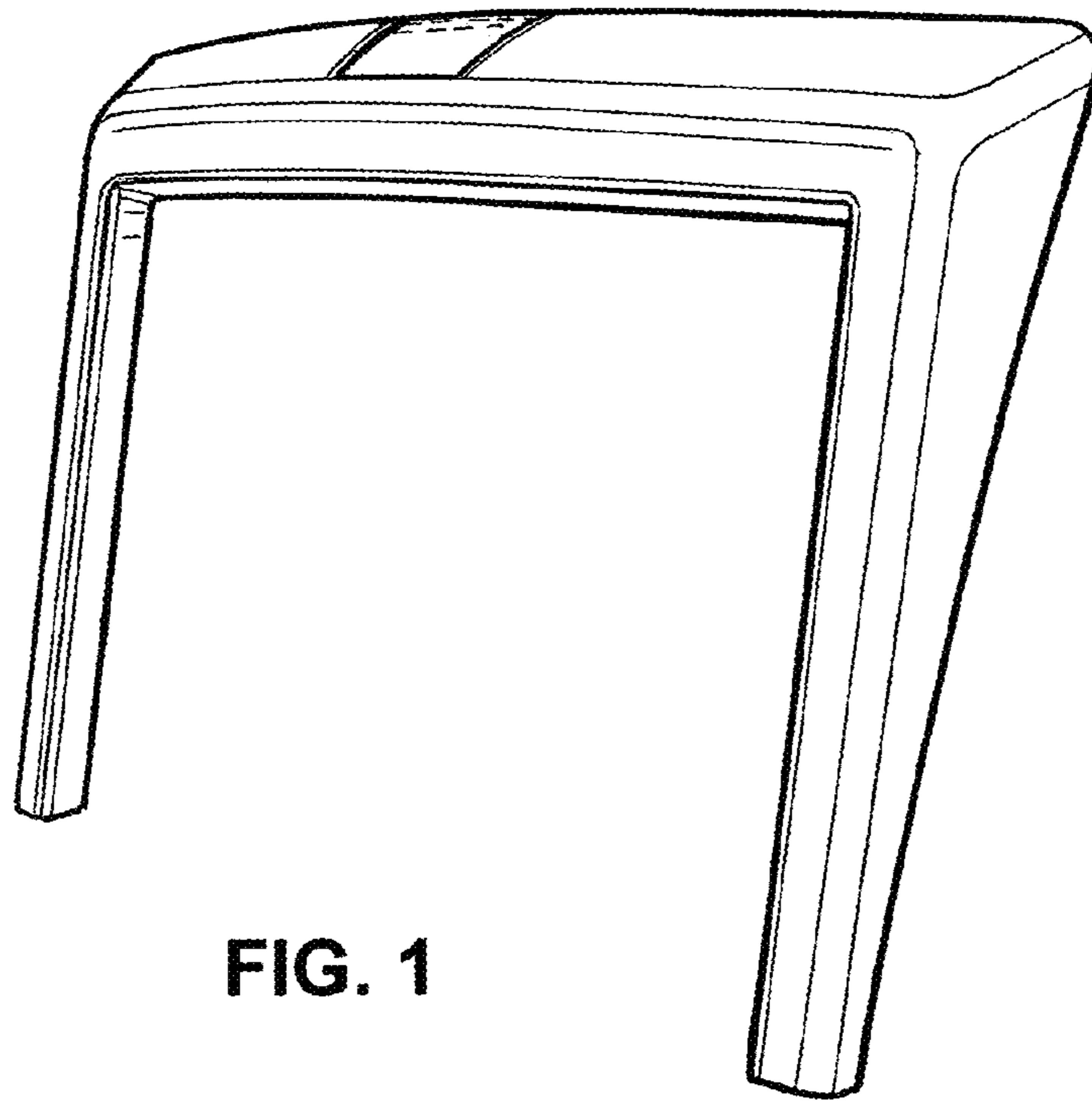


FIG. 1

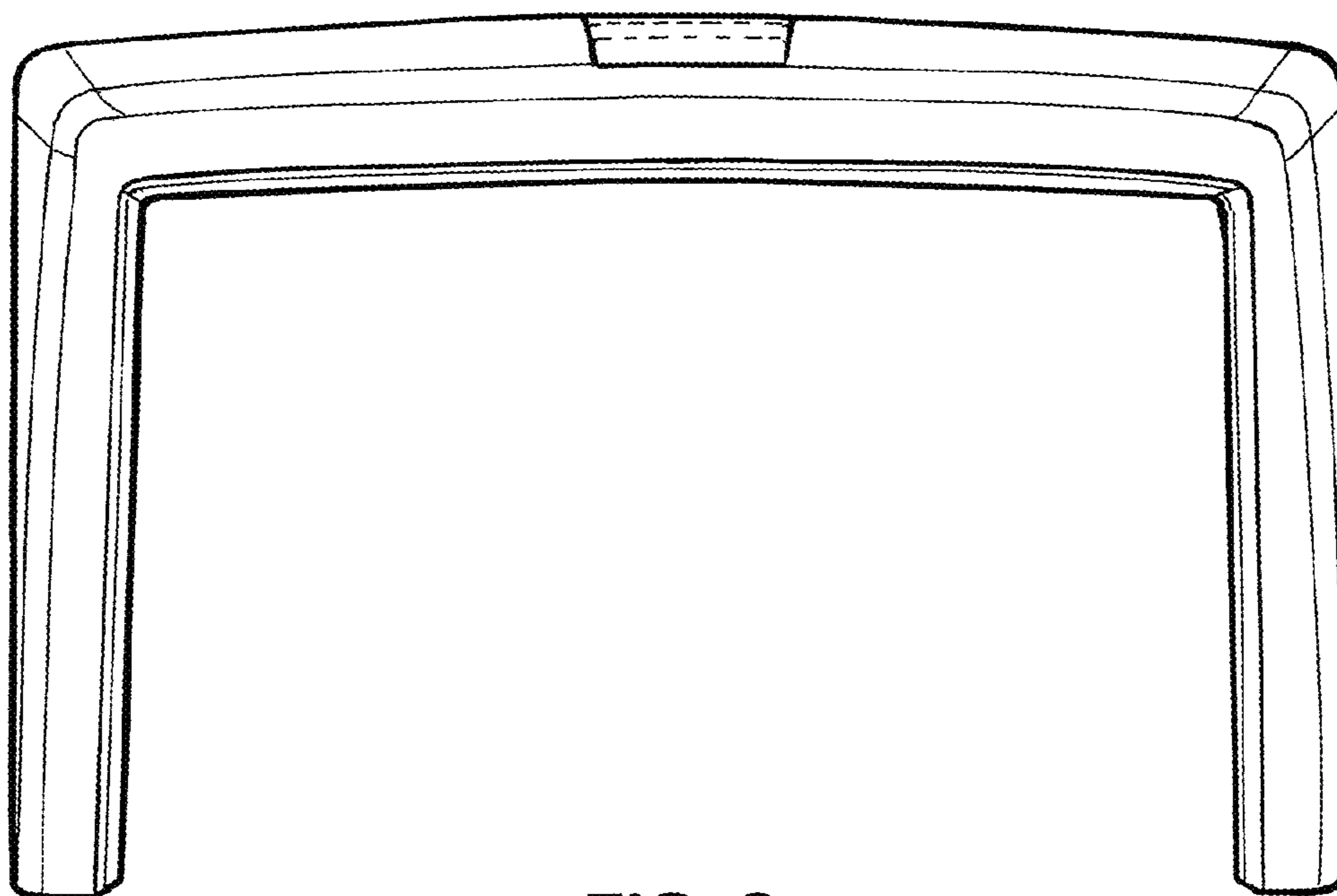
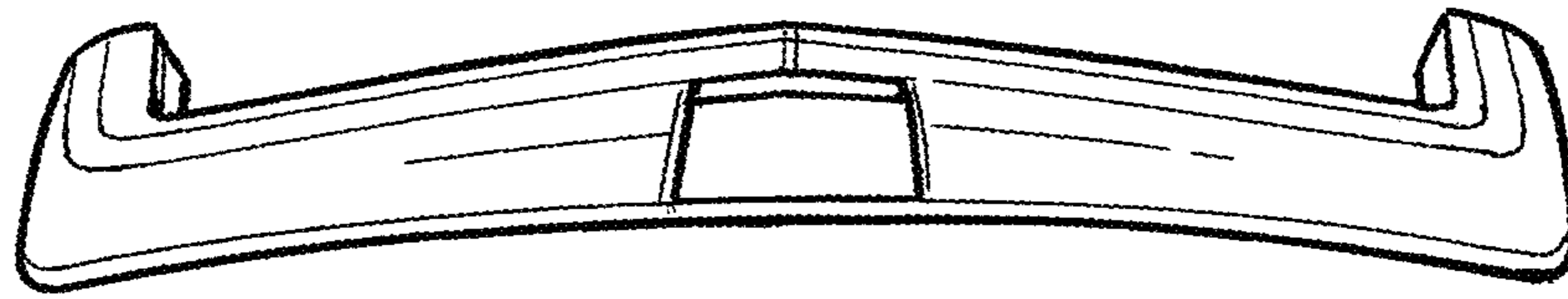
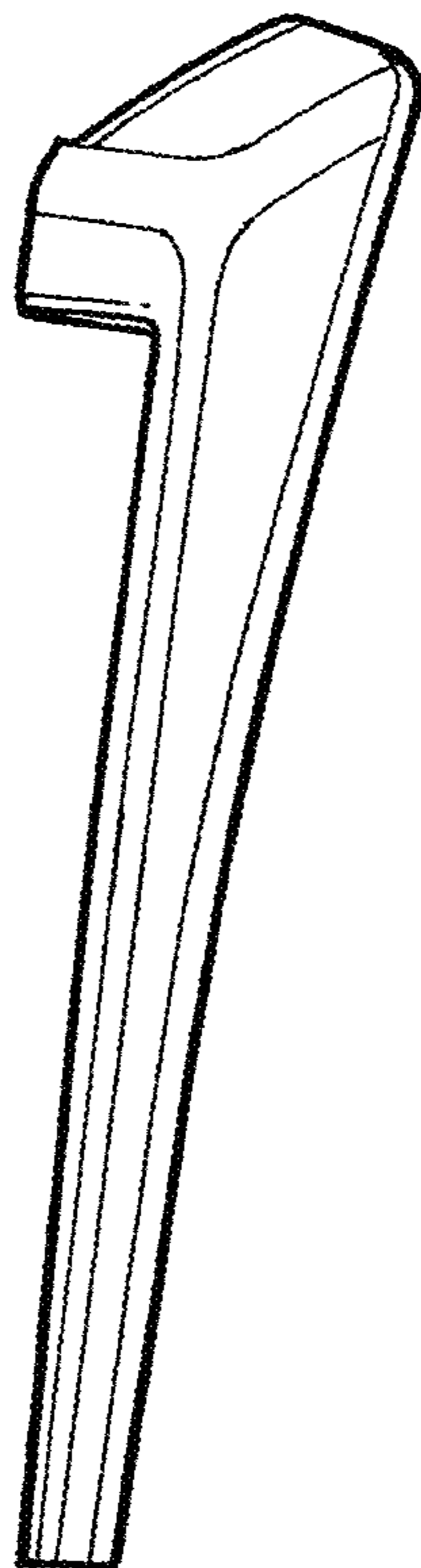


FIG. 2



**FIG. 3**



**FIG. 4**