



US00D765565S

(12) **United States Design Patent** (10) **Patent No.:** **US D765,565 S**
Husted et al. (45) **Date of Patent:** **** Sep. 6, 2016**

(54) **FRAME TUBES OF A FOLDING
MOTORIZED CHAIR**

D682,748 S * 5/2013 Horacek D12/133
D699,161 S * 2/2014 Yang D12/131
D721,016 S * 1/2015 Harding D12/131

(71) Applicants: **Royce Husted**, Forest, VA (US); **Joel Husted**, Forest, VA (US)

* cited by examiner

(72) Inventors: **Royce Husted**, Forest, VA (US); **Joel Husted**, Forest, VA (US)

Primary Examiner — Charles Hanson

(74) *Attorney, Agent, or Firm* — Brian J. Teague

(**) Term: **14 Years**

(57) **CLAIM**

We claim the ornamental design for the frame tubes of a folding motorized chair, as shown and described.

(21) Appl. No.: **29/525,383**

DESCRIPTION

(22) Filed: **Apr. 29, 2015**

(51) **LOC (10) Cl.** **24-02**

(52) **U.S. Cl.**

USPC **D12/133**; D12/131

(58) **Field of Classification Search**

USPC D12/128–133

CPC A61G 5/00–5/14

See application file for complete search history.

FIG. 1 is a perspective view of the frame tubes of a folding motorized chair, showing the new design.

FIG. 2 is a right side elevation view thereof, with rear wheels and front casters omitted. The left side elevation view is a mirror image of the right side elevation view.

FIG. 3 is a right side elevation view thereof. The left side elevation view is a mirror image of the right side elevation view.

FIG. 4 is a front elevational view thereof.

FIG. 5 is a rear elevational view thereof.

FIG. 6 is a top plan view thereof.

FIG. 7 is a bottom plan view thereof; and,

FIG. 8 is another perspective view thereof showing an alternate position of use.

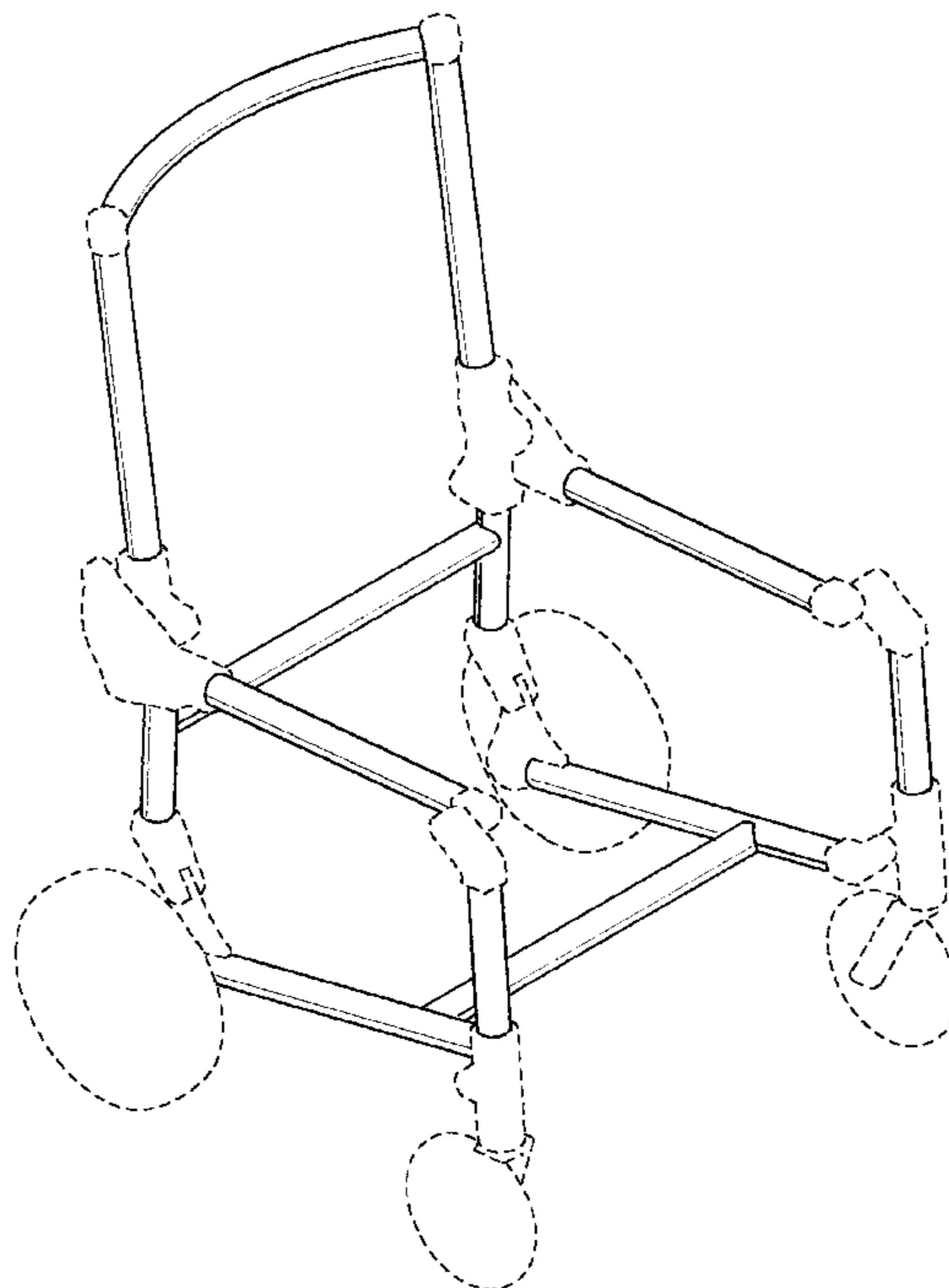
The broken lines are for illustrative purpose only and form no part of the claimed design.

(56) **References Cited**

U.S. PATENT DOCUMENTS

D413,843 S *	9/1999	Dickie	D12/133
D415,981 S *	11/1999	Dickie	D12/133
D433,968 S *	11/2000	Mascari	D12/131
D439,869 S *	4/2001	Kjell	D12/128
7,249,777 B2 *	7/2007	Schreiber	A61G 5/10 180/907
D559,741 S *	1/2008	Lasher, III	D12/133
D627,271 S *	11/2010	Knopf	D12/131

1 Claim, 8 Drawing Sheets



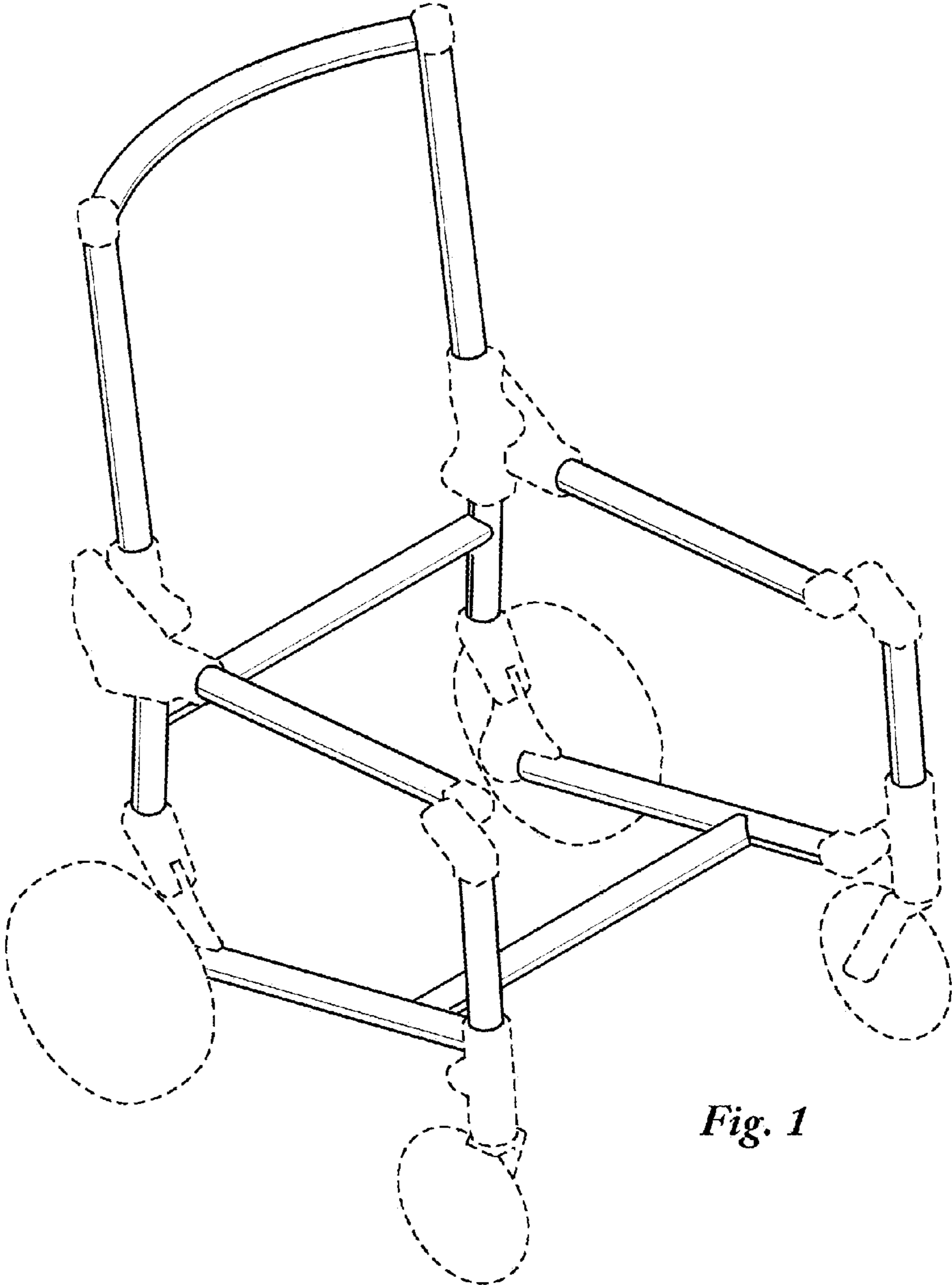


Fig. 1

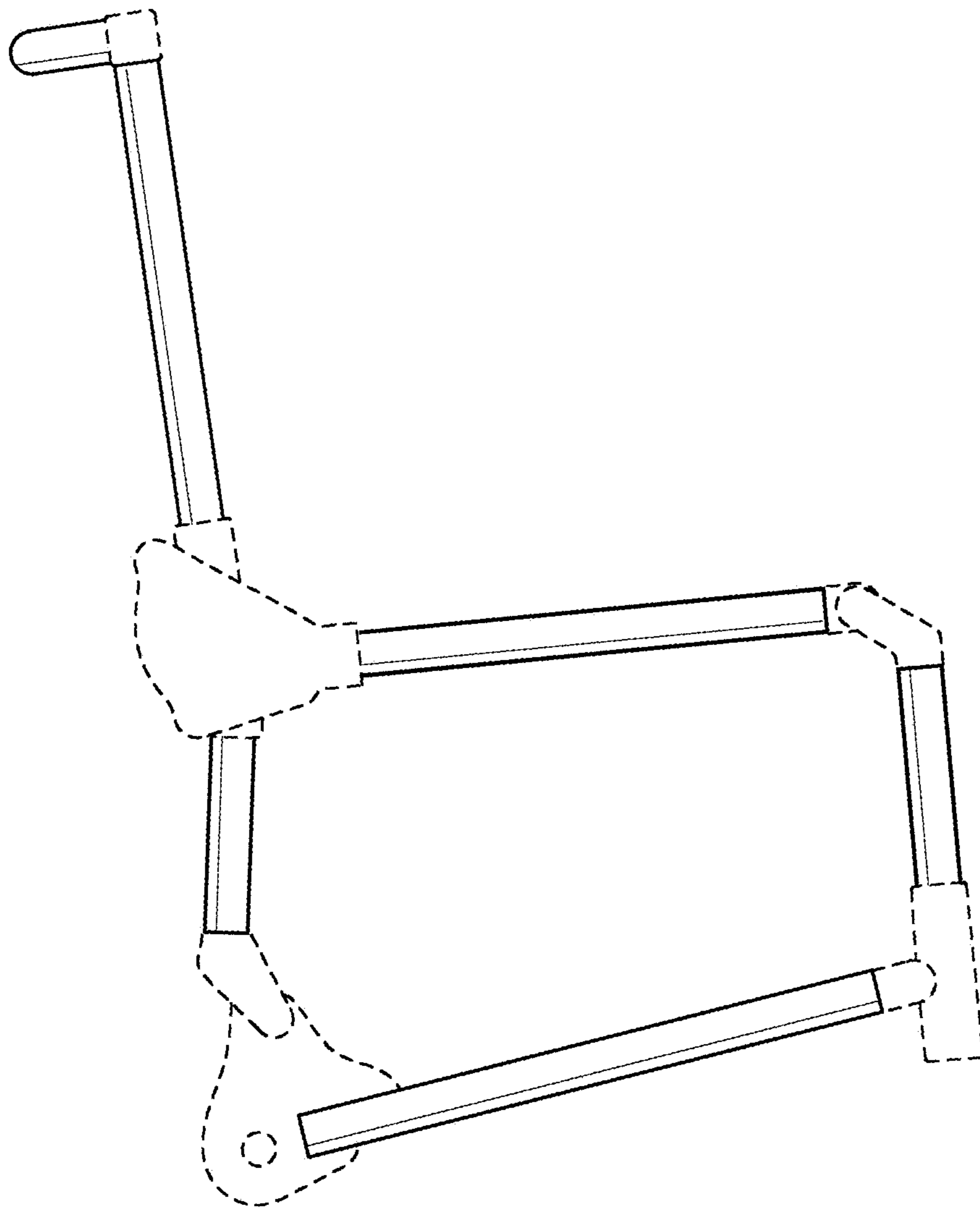


Fig. 2

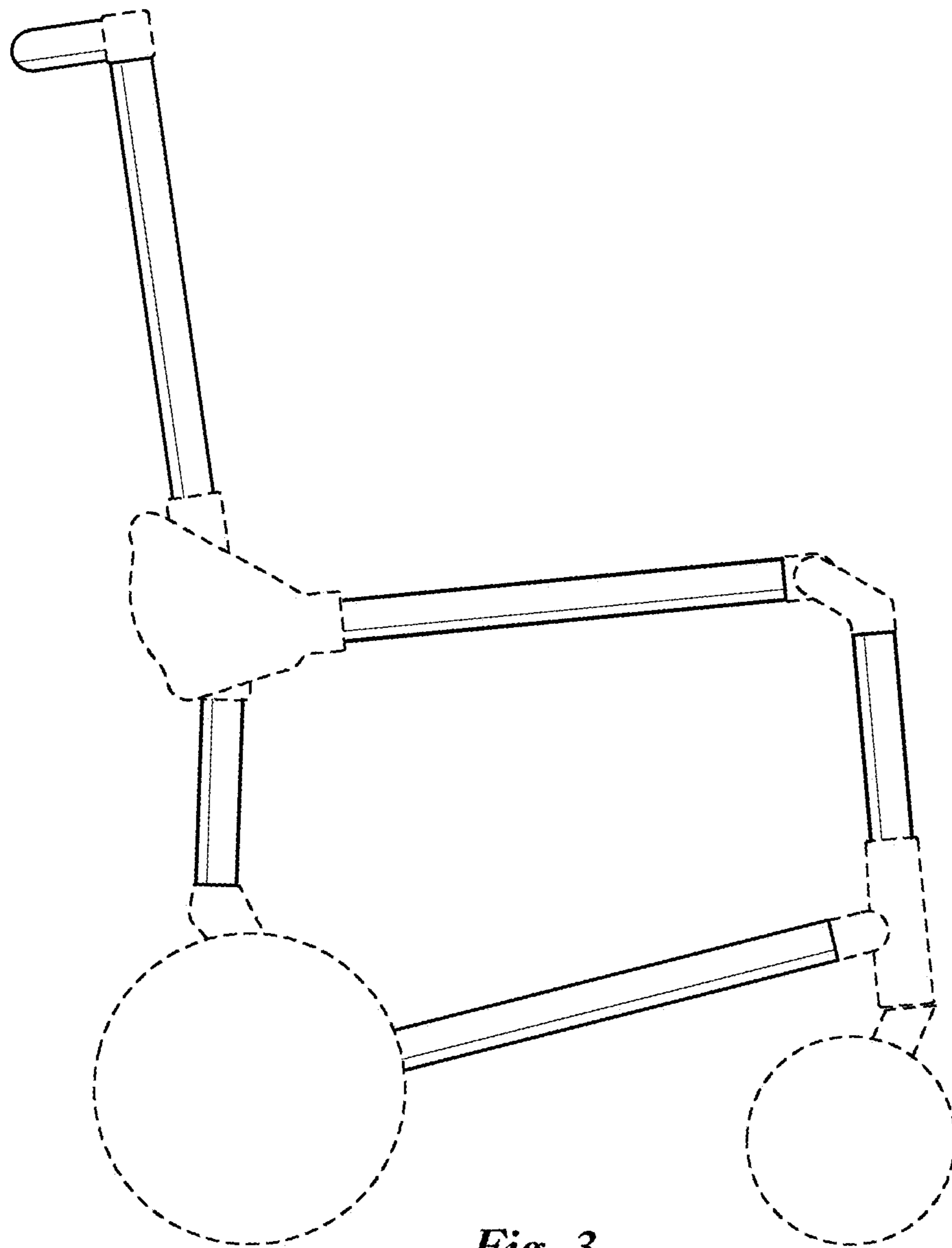


Fig. 3

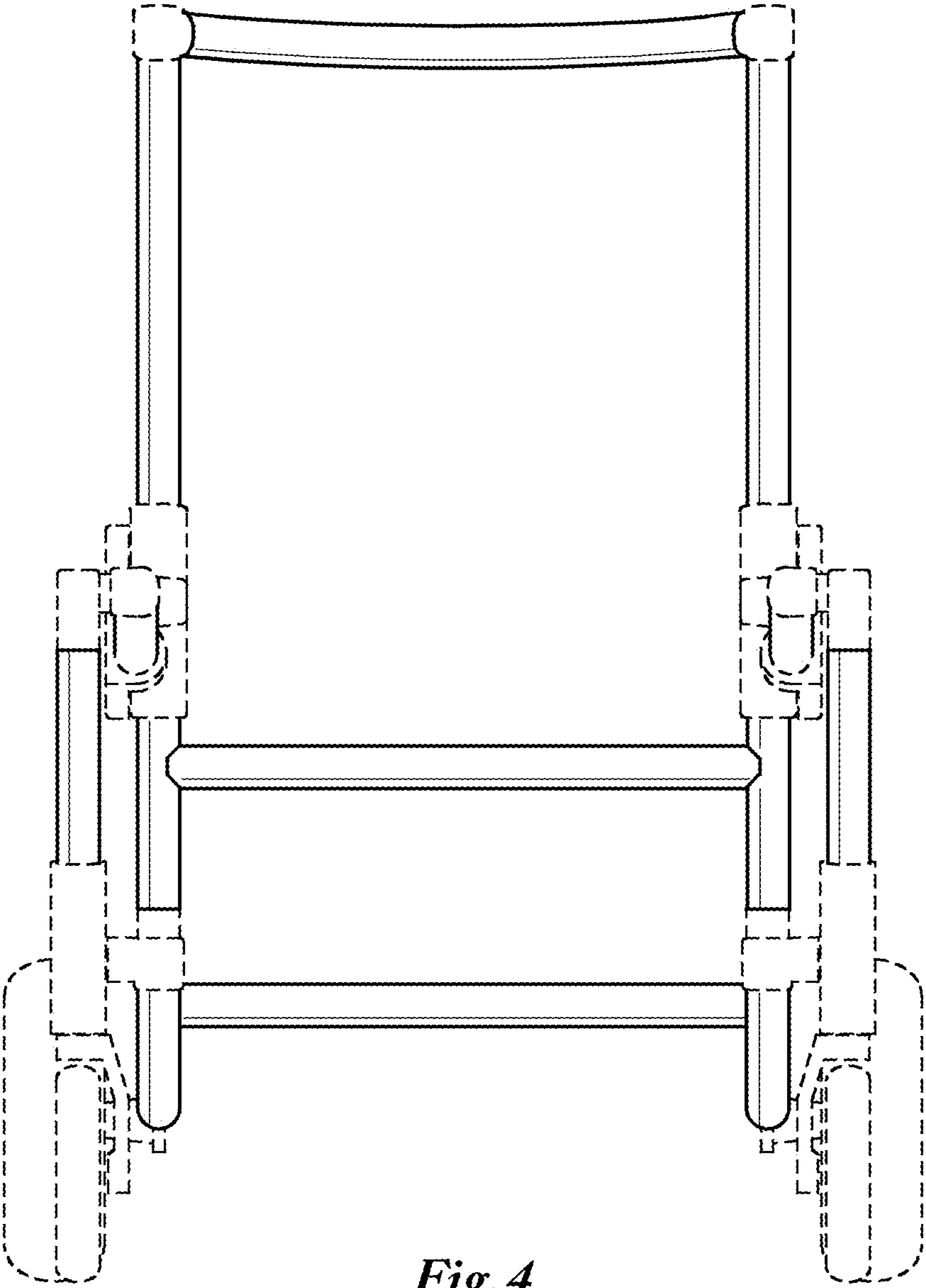


Fig. 4

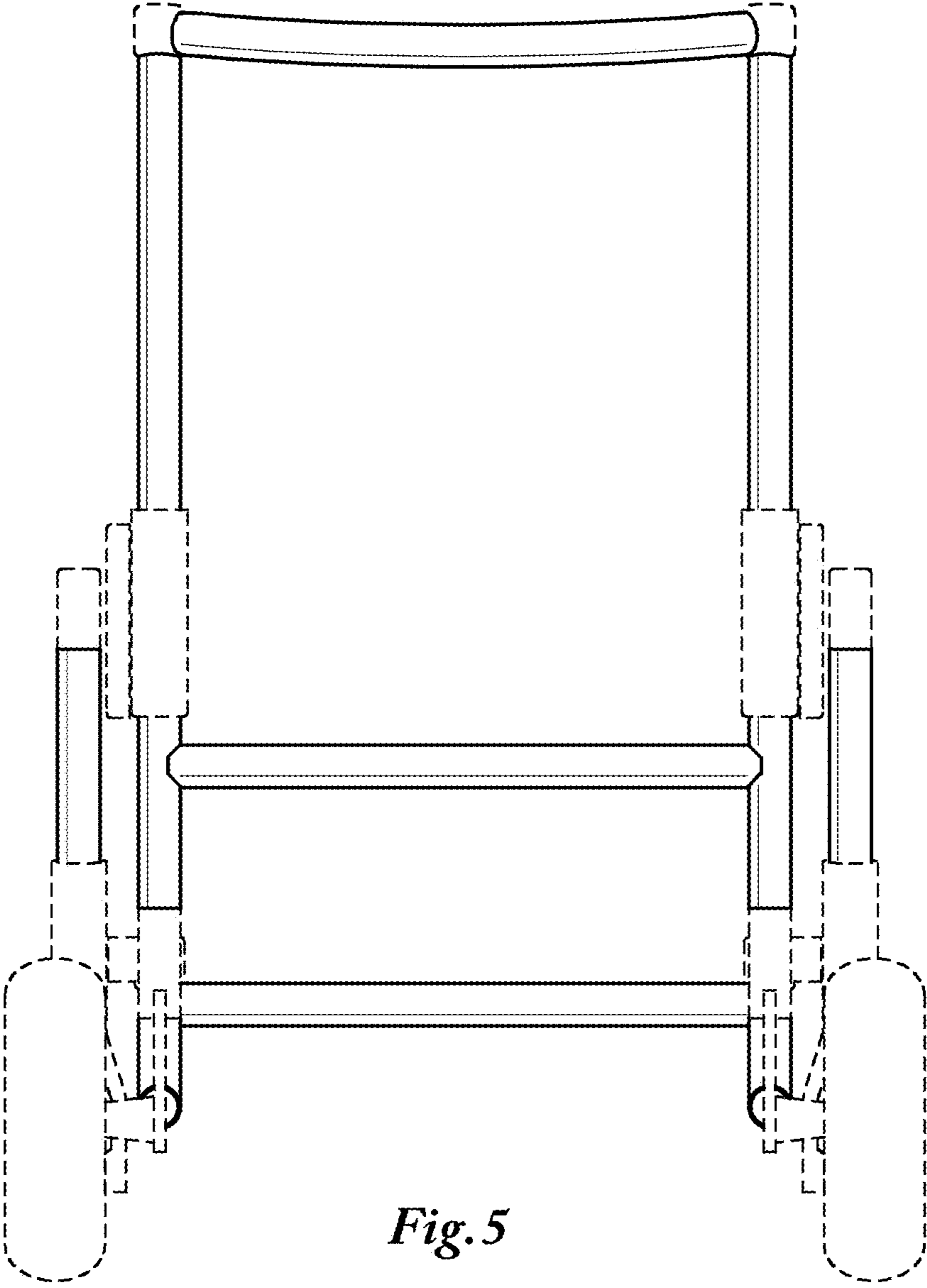


Fig. 5

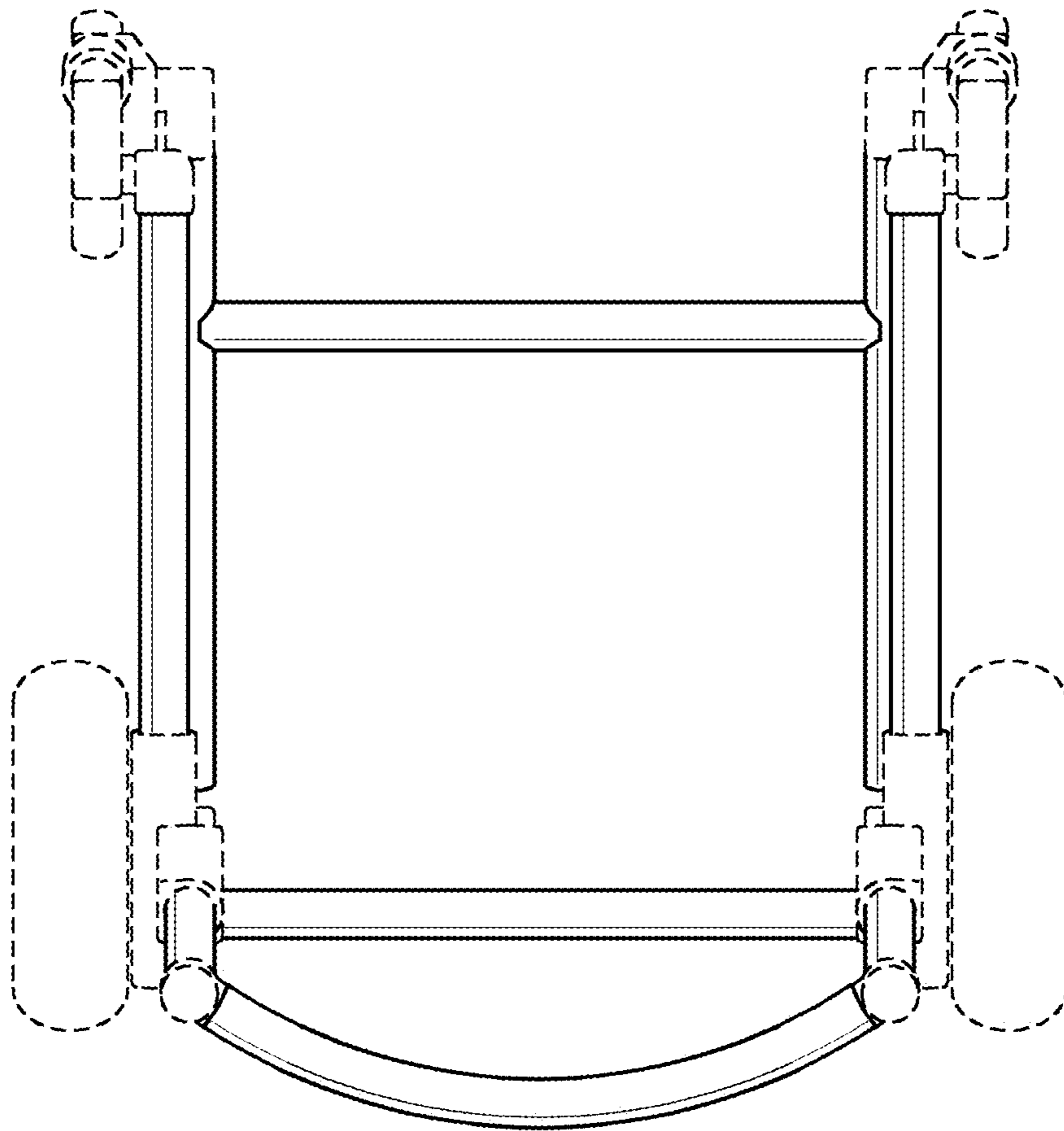


Fig. 6

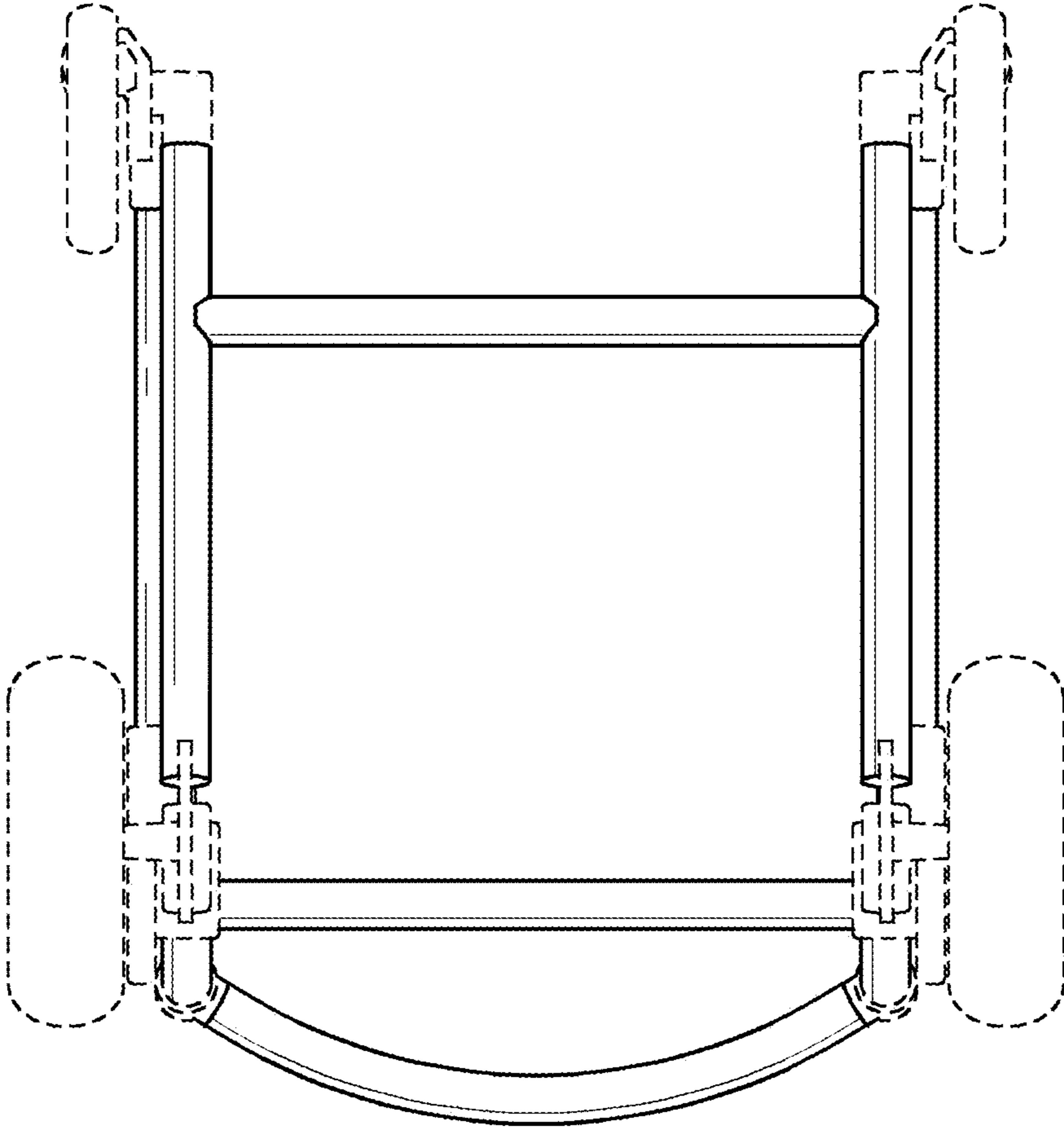


Fig. 7

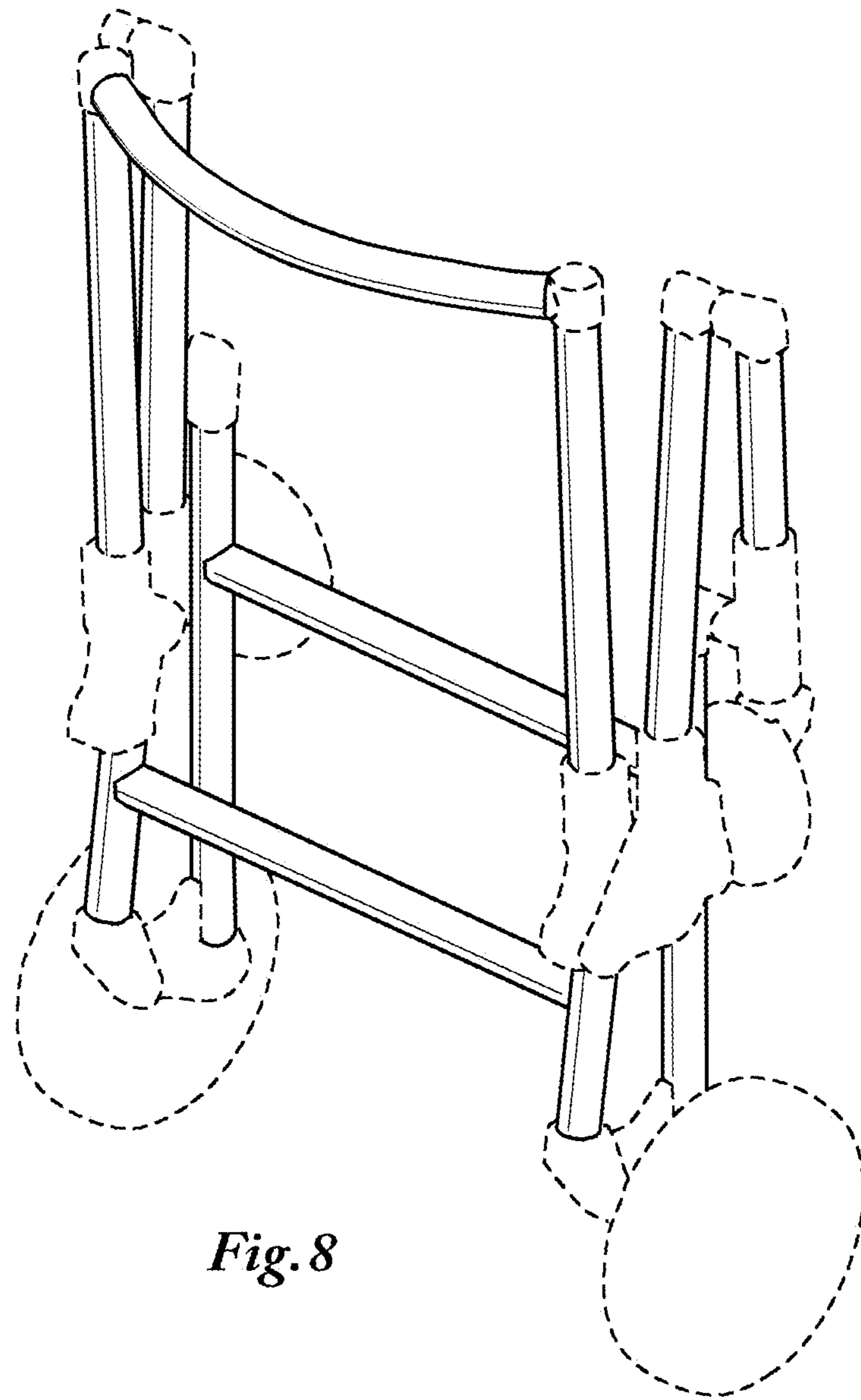


Fig. 8