



US00D765560S

(12) **United States Design Patent** (10) **Patent No.:** **US D765,560 S**
Tahir (45) **Date of Patent:** **** Sep. 6, 2016**

(54) **WORKBENCH FOR A WHEELCHAIR**

(71) Applicant: **Lisa Tahir**, New Orleans, LA (US)

(72) Inventor: **Lisa Tahir**, New Orleans, LA (US)

(**) Term: **14 Years**

(21) Appl. No.: **29/470,017**

(22) Filed: **Nov. 18, 2013**

(51) **LOC (10) Cl.** **12-12**

(52) **U.S. Cl.**
USPC **D12/133**

(58) **Field of Classification Search**
USPC D12/128-133
CPC A61G 2005/1094; A47B 2200/13;
A47B 21/0314; A47B 13/12; A47B 2037/005
See application file for complete search history.

(56) **References Cited**

U.S. PATENT DOCUMENTS

4,679,509	A *	7/1987	Sampson, Jr.	108/27
5,551,105	A *	9/1996	Short	5/87.1
7,210,736	B1 *	5/2007	Large	297/155
7,278,621	B1 *	10/2007	Bareis	248/441.1

7,900,566	B1 *	3/2011	Bunker	108/42
2005/0275322	A1 *	12/2005	Mosel et al.	312/312
2006/0162625	A1 *	7/2006	Mayben	108/97

* cited by examiner

Primary Examiner — Charles Hanson

(74) *Attorney, Agent, or Firm* — Benjamin A. Balsler; Next IP Law Group

(57) **CLAIM**

The ornamental design for a workbench for a wheelchair, as shown and described.

DESCRIPTION

FIG. 1 is a front perspective view of an example embodiment of a workbench for a wheelchair showing my new design.

FIG. 2 is an end view thereof.

FIG. 3 is an opposite view thereof.

FIG. 4 is a side view thereof.

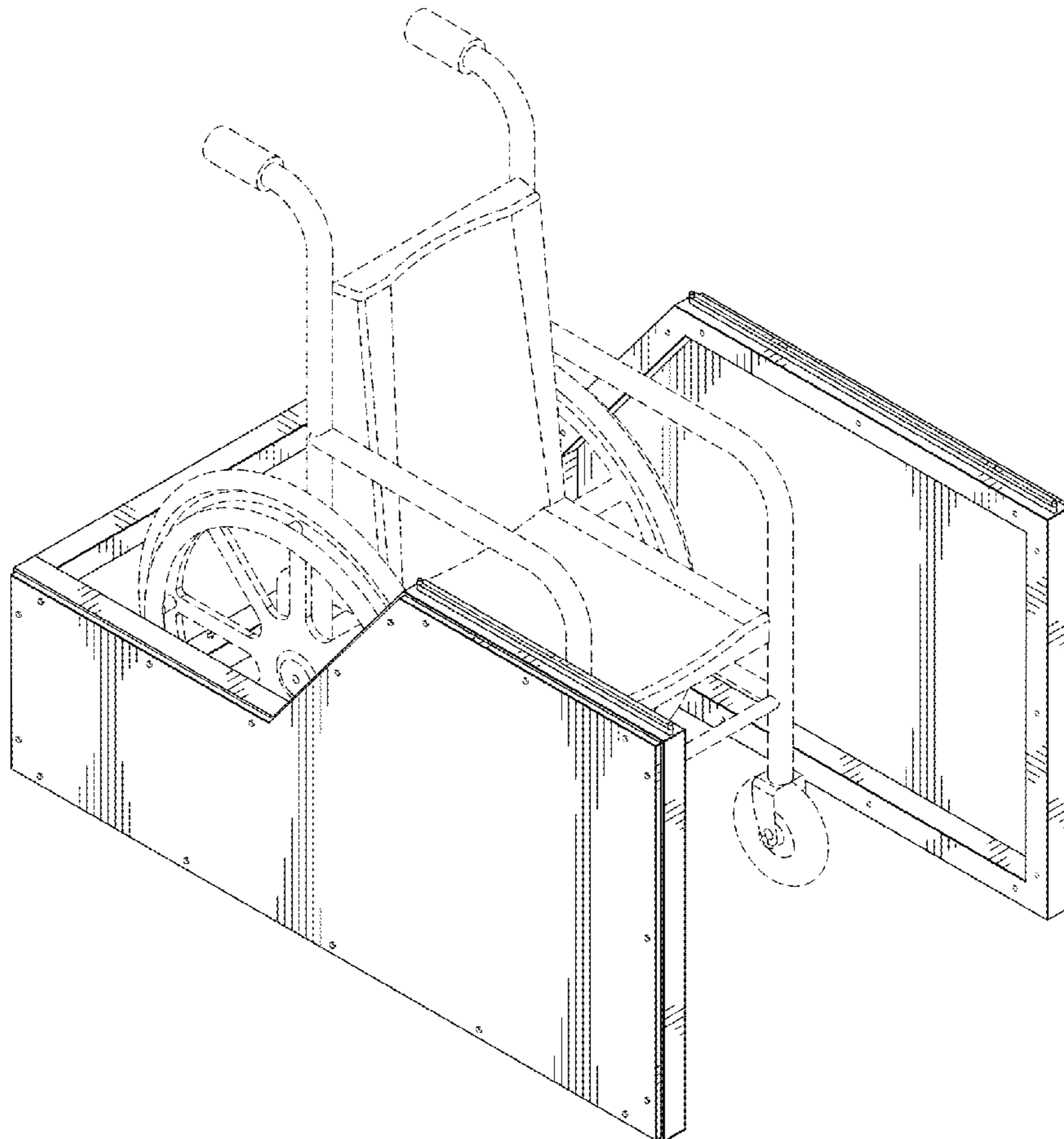
FIG. 5 is an opposite view thereof.

FIG. 6 is a top view thereof; and,

FIG. 7 is a bottom view thereof.

The broken line is included for the purpose of illustrating environment and forms no part of the claimed design.

1 Claim, 7 Drawing Sheets



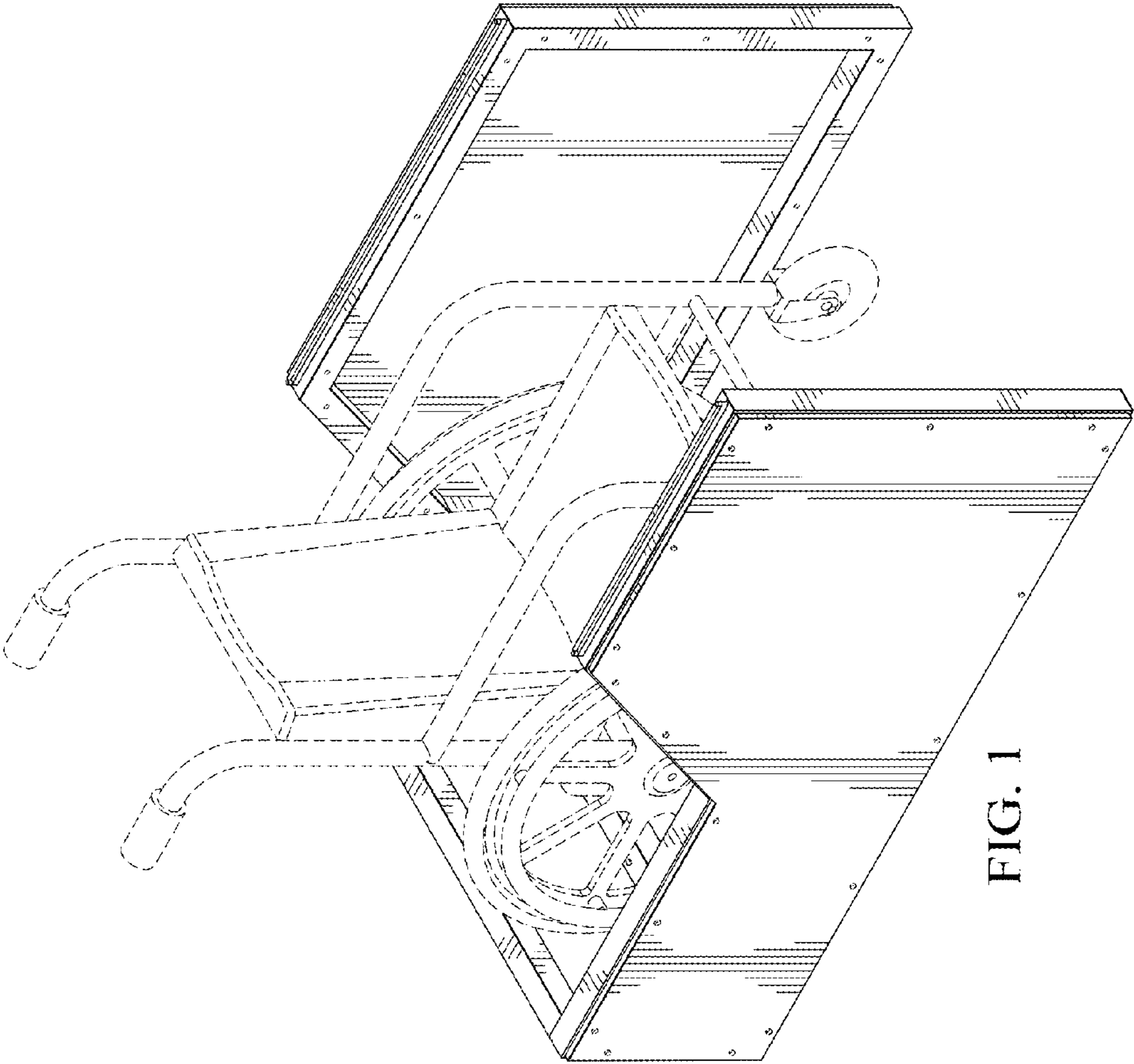


FIG. 1

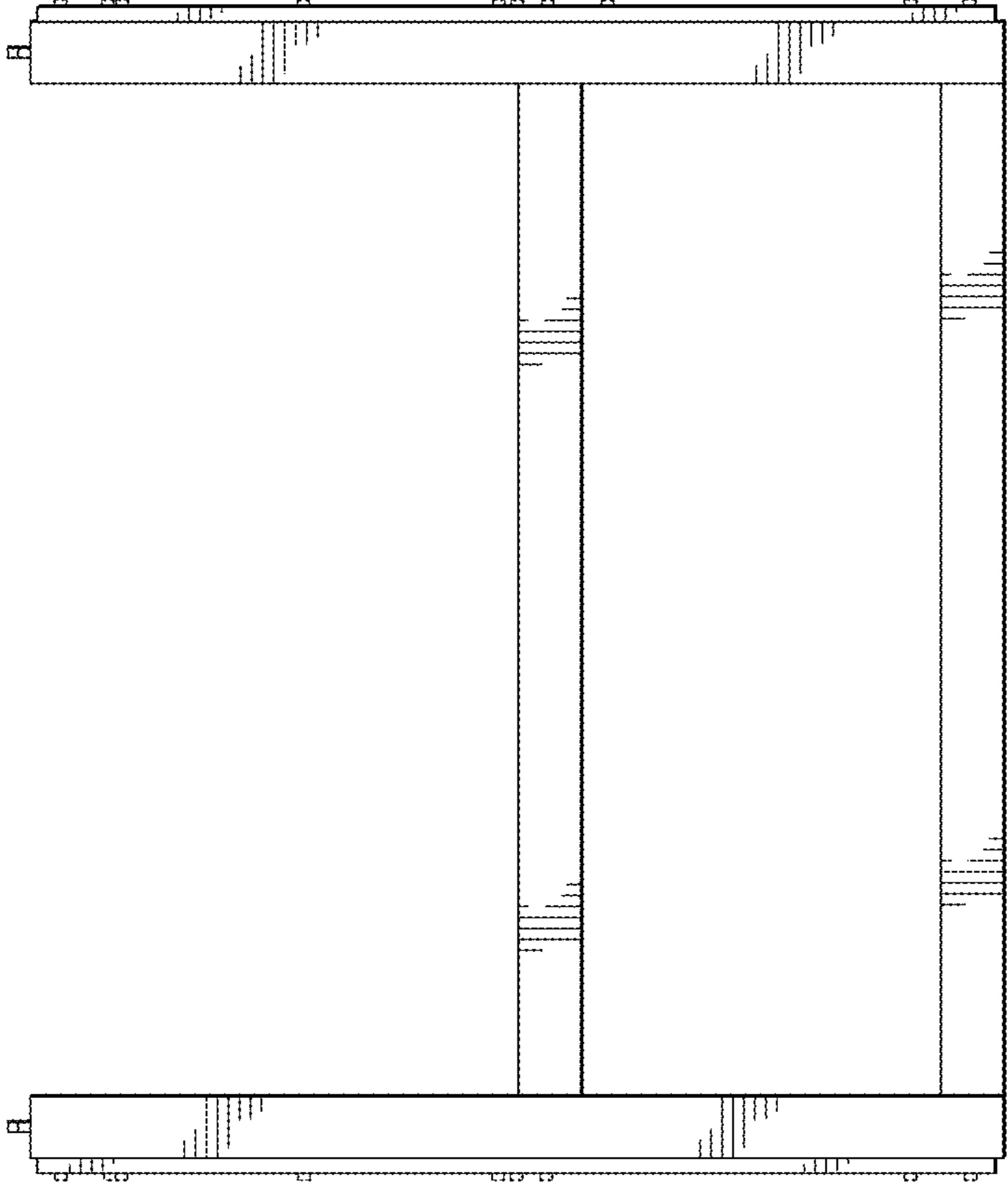


FIG. 2

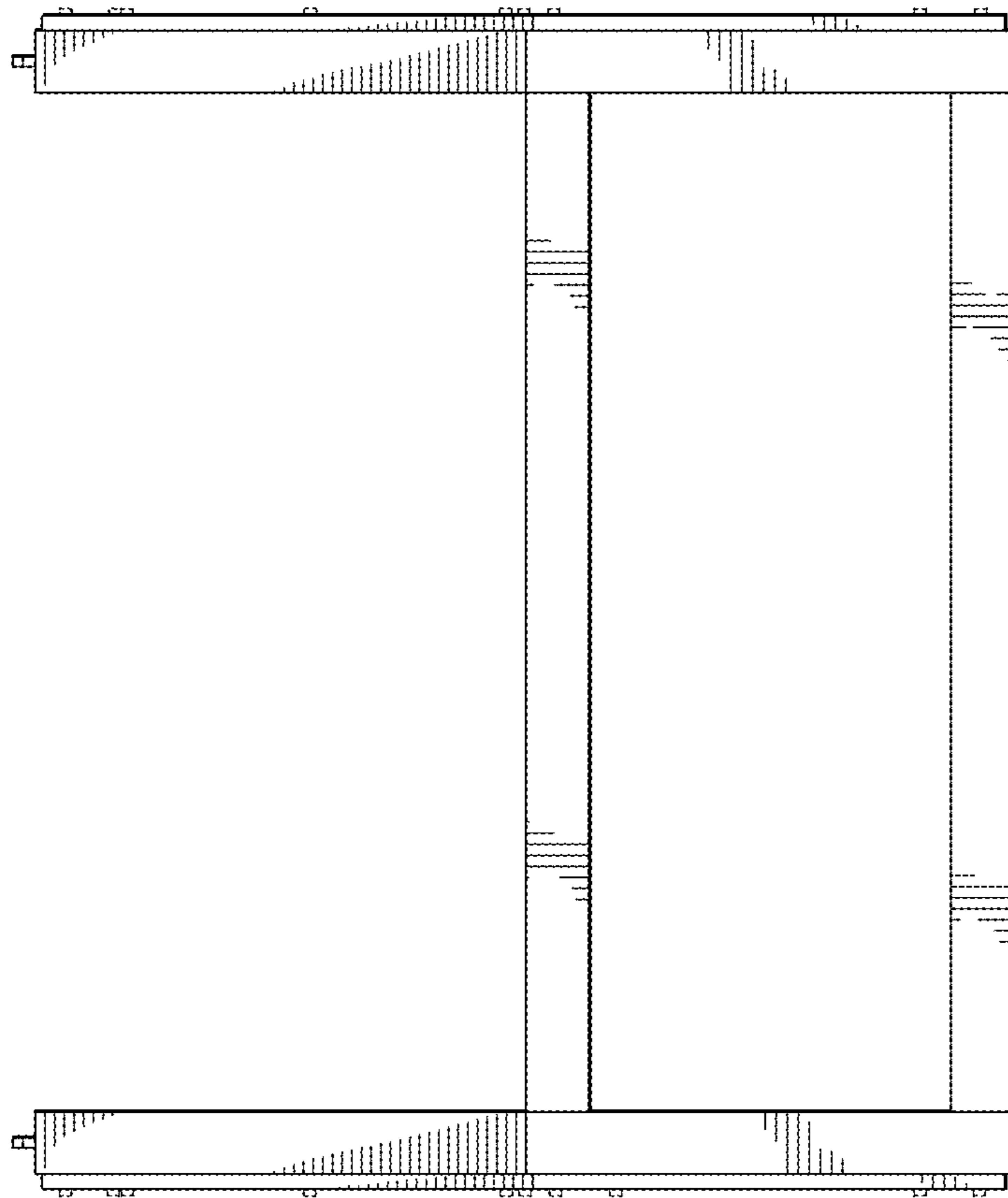


FIG. 3

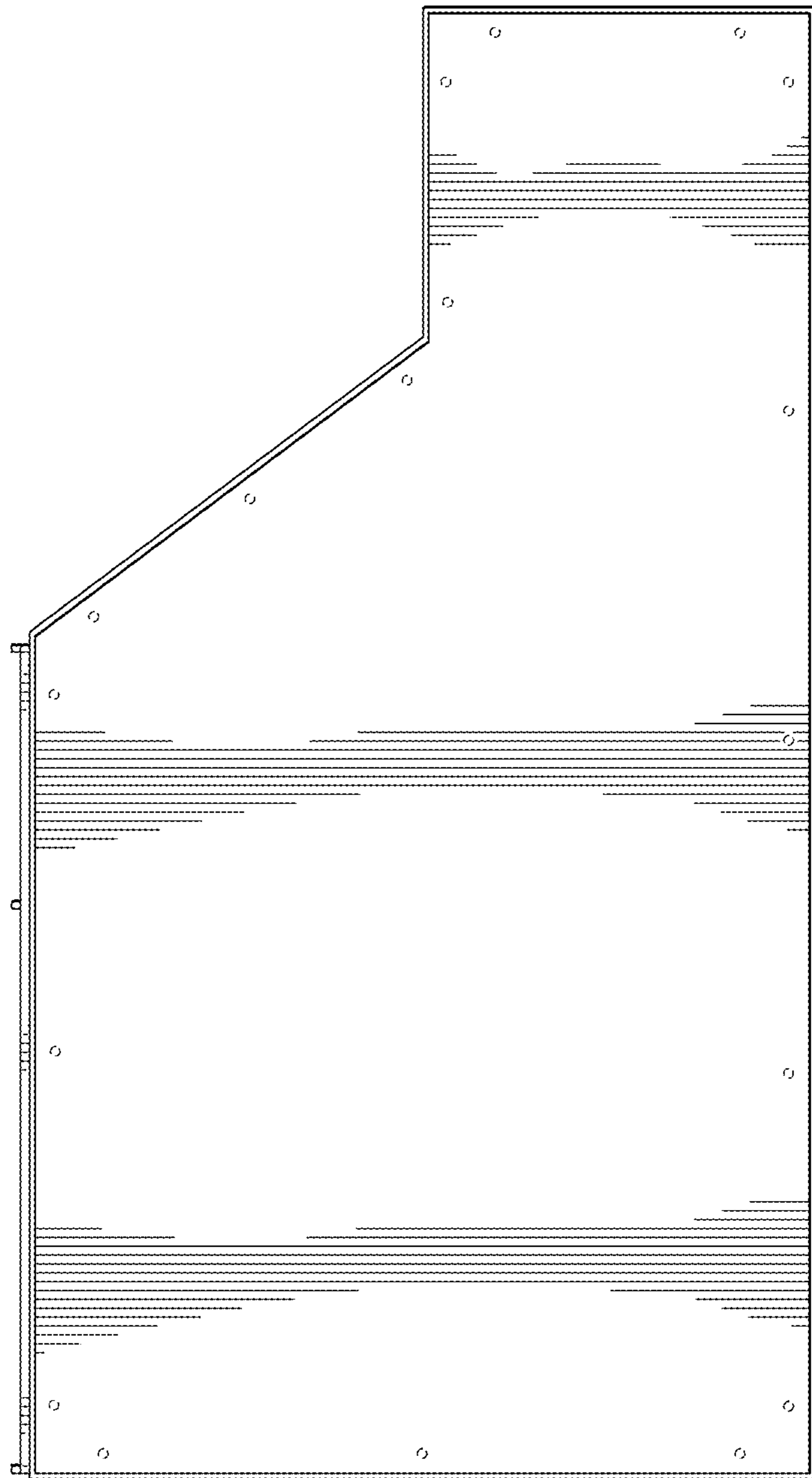


FIG. 4

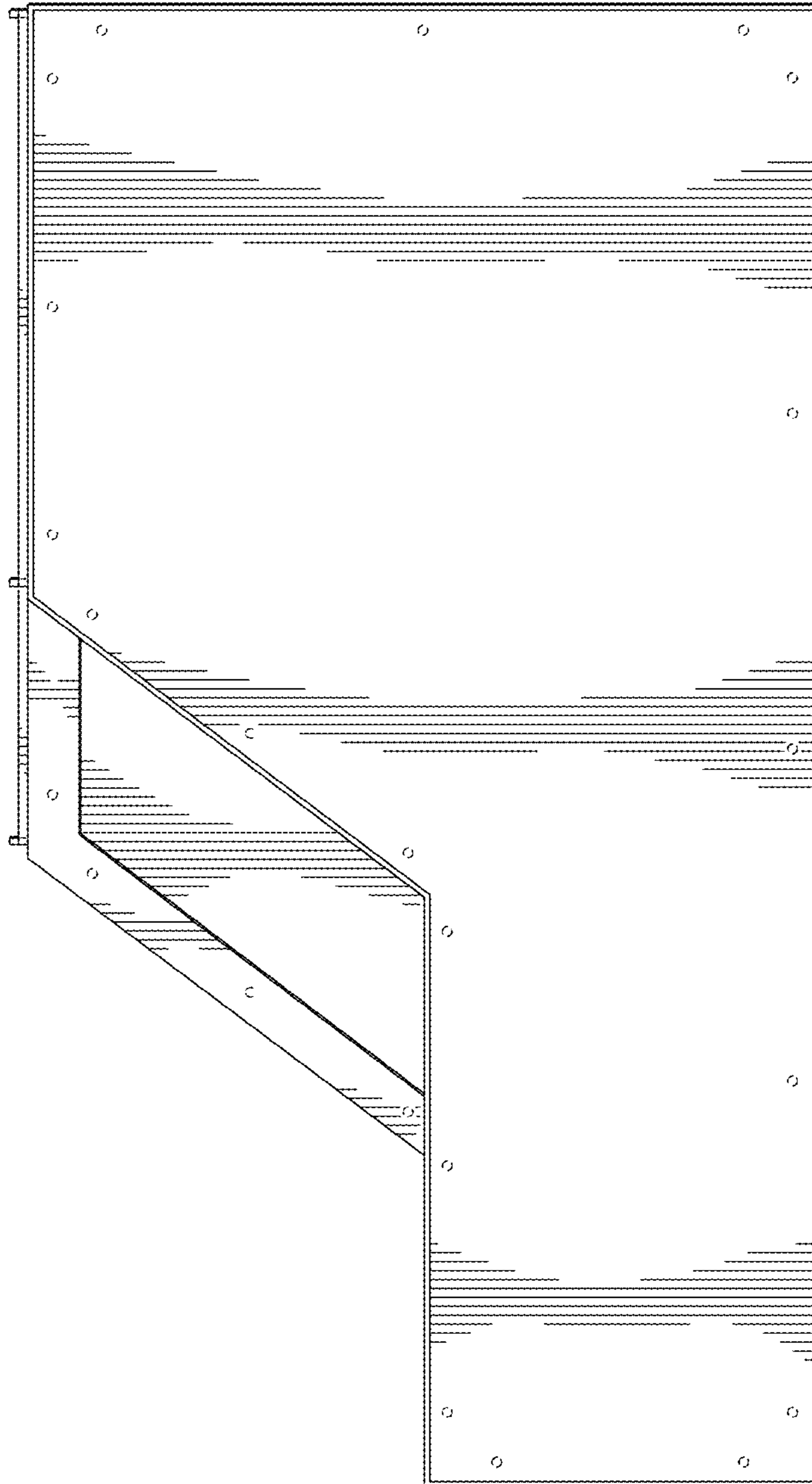


FIG. 5

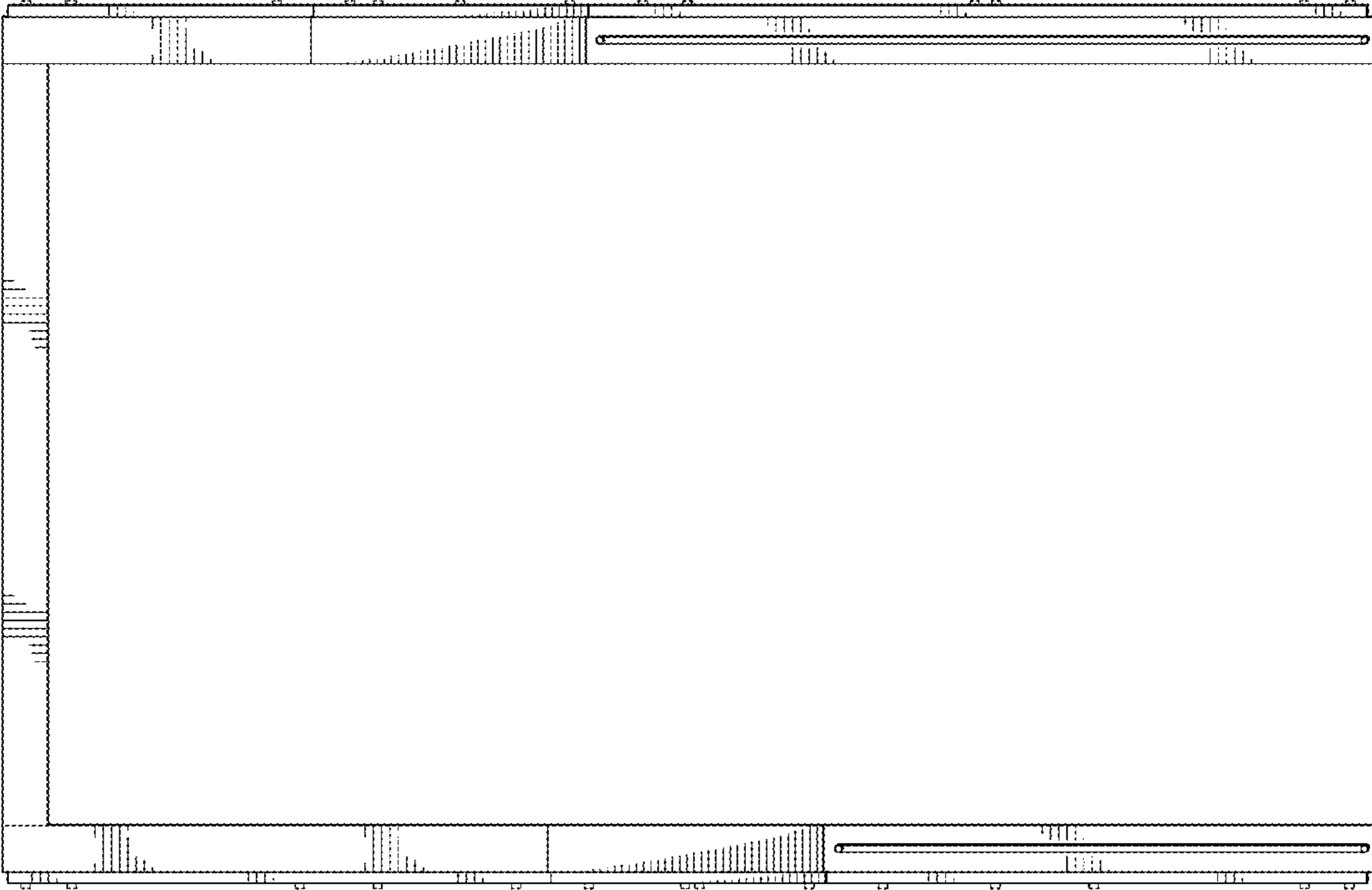


FIG. 6

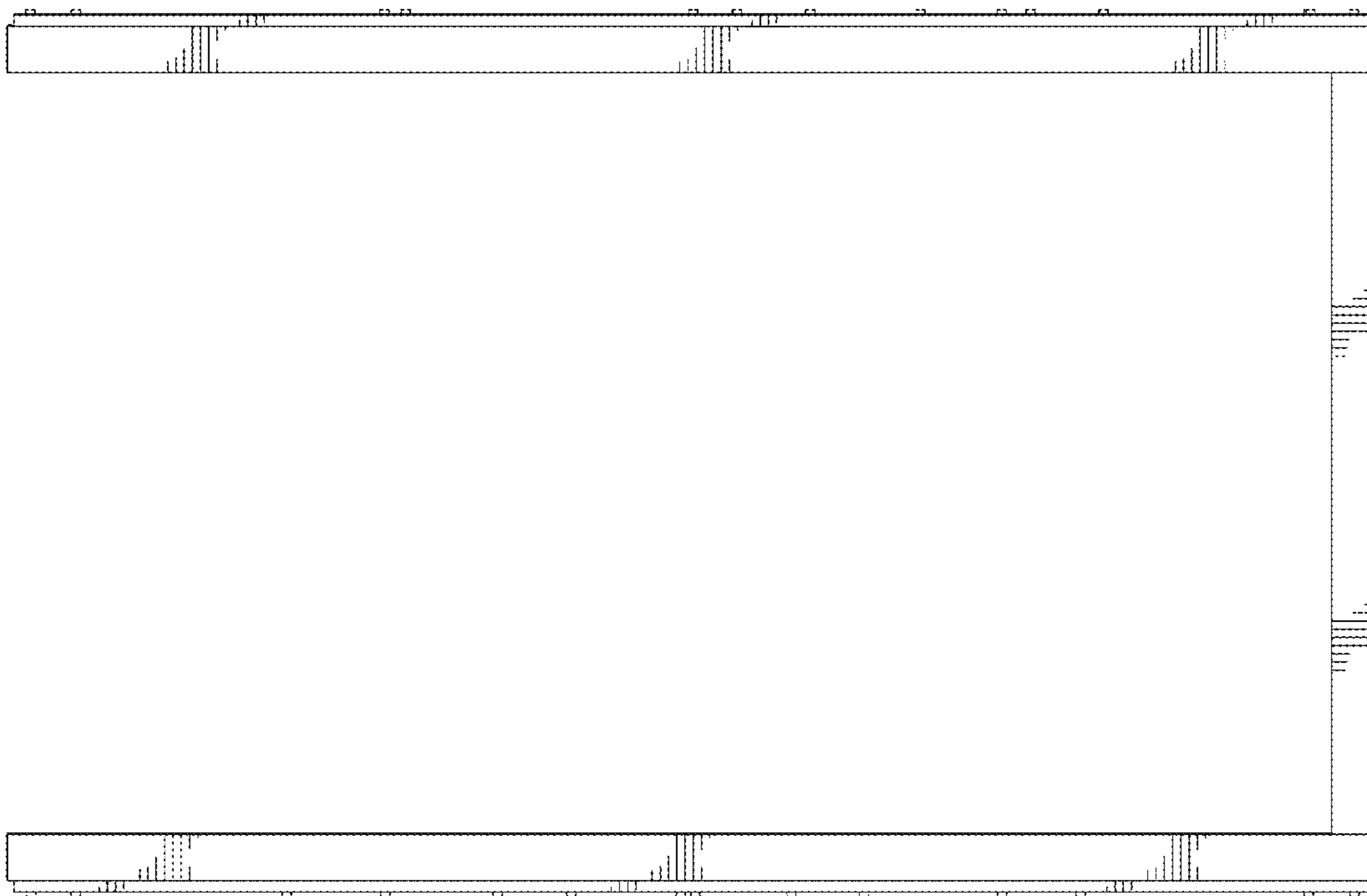


FIG. 7