

US00D76559S

(12) **United States Design Patent**
Chan

(10) **Patent No.:** **US D765,559 S**
(45) **Date of Patent:** **** Sep. 6, 2016**

(54) **FOLDABLE MOTORIZED VEHICLE**

D720,661 S * 1/2015 Siao D12/131

(71) Applicant: **Perfect Union Co., Ltd.**, New Taipei (TW)

* cited by examiner

(72) Inventor: **Ching Chan**, New Taipei (TW)

Primary Examiner — Charles Hanson

(73) Assignee: **PERFECT UNION CO., LTD.**, New Taipei (TW)

(74) *Attorney, Agent, or Firm* — Jackson IPG PLLC; Demian K. Jackson

(**) Term: **14 Years**

(57) **CLAIM**

The ornamental design for a foldable motorized vehicle, as shown and described.

(21) Appl. No.: **29/519,653**

DESCRIPTION

(22) Filed: **Mar. 6, 2015**

(51) **LOC (10) Cl.** **12-12**

(52) **U.S. Cl.**
USPC **D12/131**

(58) **Field of Classification Search**
USPC D12/128–133
CPC A61G 5/04; A61G 5/041–5/047;
A61G 2005/048

See application file for complete search history.

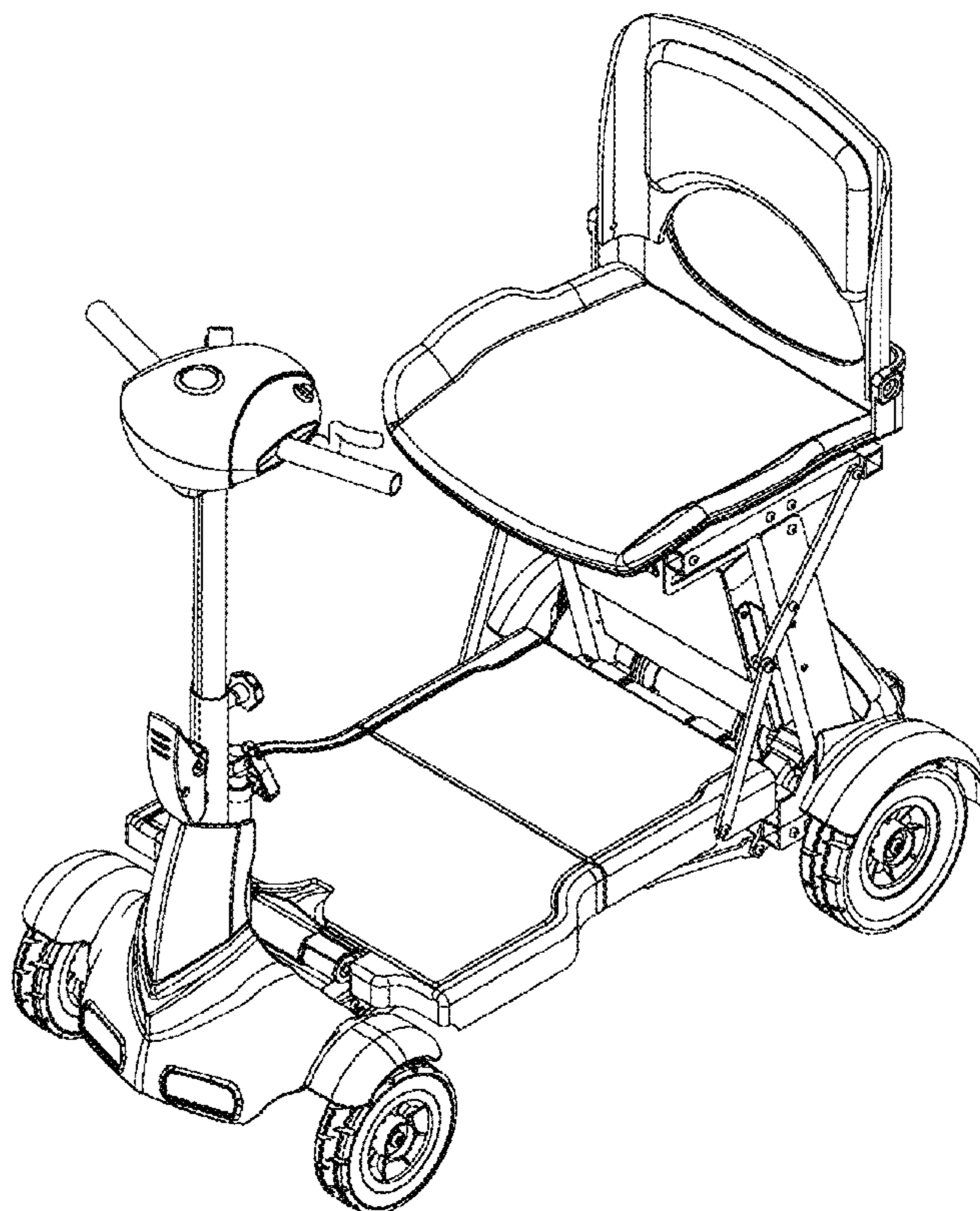
FIG. 1 is a top front and left side perspective view of foldable motorized vehicle showing my new design;
FIG. 2 is a top rear and right side perspective view of foldable motorized vehicle showing my new design;
FIG. 3 is a bottom front and left side perspective view of foldable motorized vehicle showing my new design;
FIG. 4 is a top front and right side perspective view of foldable motorized vehicle showing my new design;
FIG. 5 is a top rear and left side perspective view of foldable motorized vehicle showing my new design;
FIG. 6 is a front elevational view thereof;
FIG. 7 is a rear elevational view thereof;
FIG. 8 is a left side elevational view thereof;
FIG. 9 is a right side elevational view thereof;
FIG. 10 is a top plan view thereof; and,
FIG. 11 is a bottom plan view thereof.

(56) **References Cited**

U.S. PATENT DOCUMENTS

D322,049 S	*	12/1991	Doman	D12/131
D409,121 S	*	5/1999	Imai	D12/131
D444,421 S	*	7/2001	Cheng	D12/128
D571,264 S	*	6/2008	Yang	D12/131
D720,660 S	*	1/2015	Siao	D12/131

1 Claim, 11 Drawing Sheets



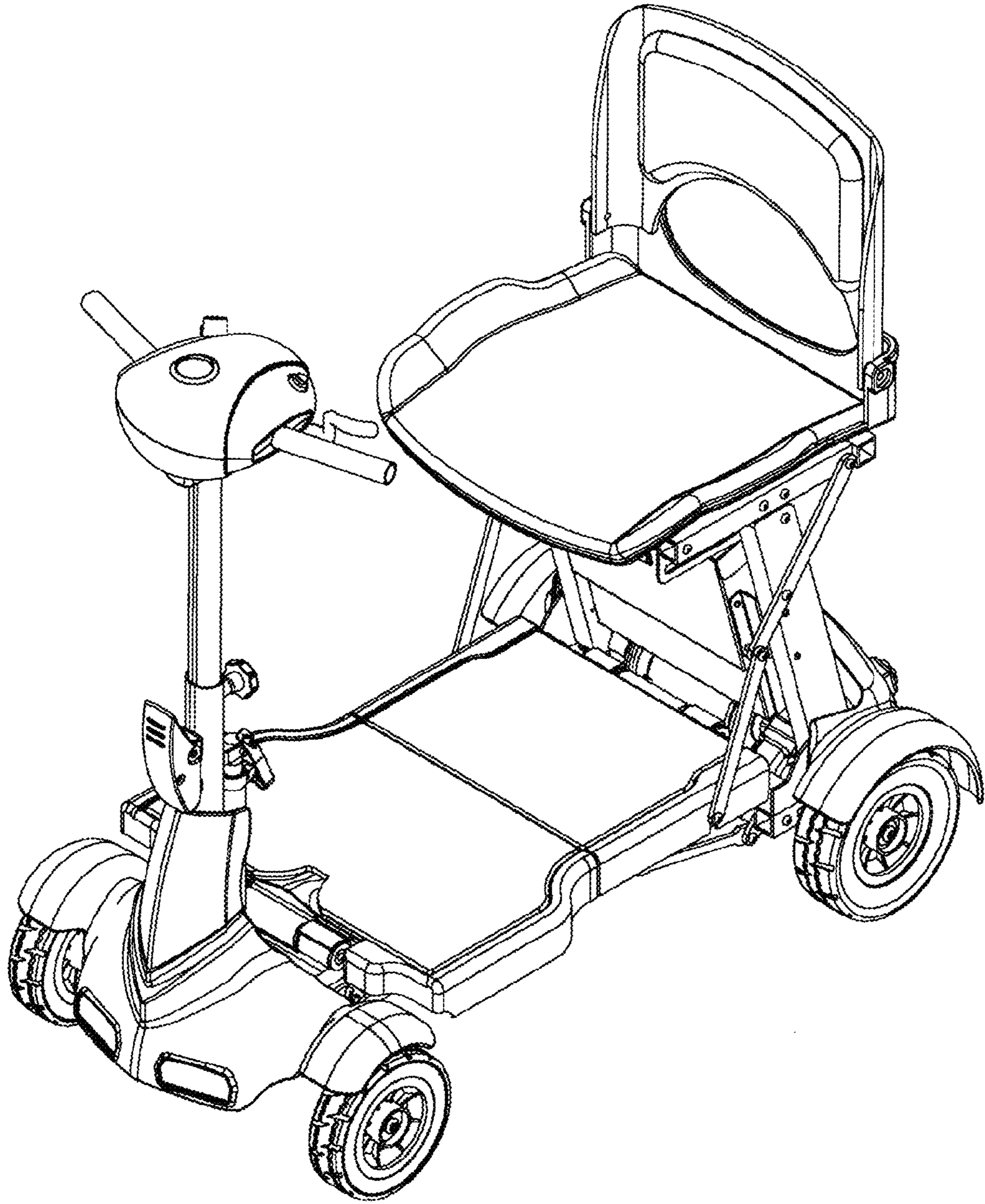


Fig. 1

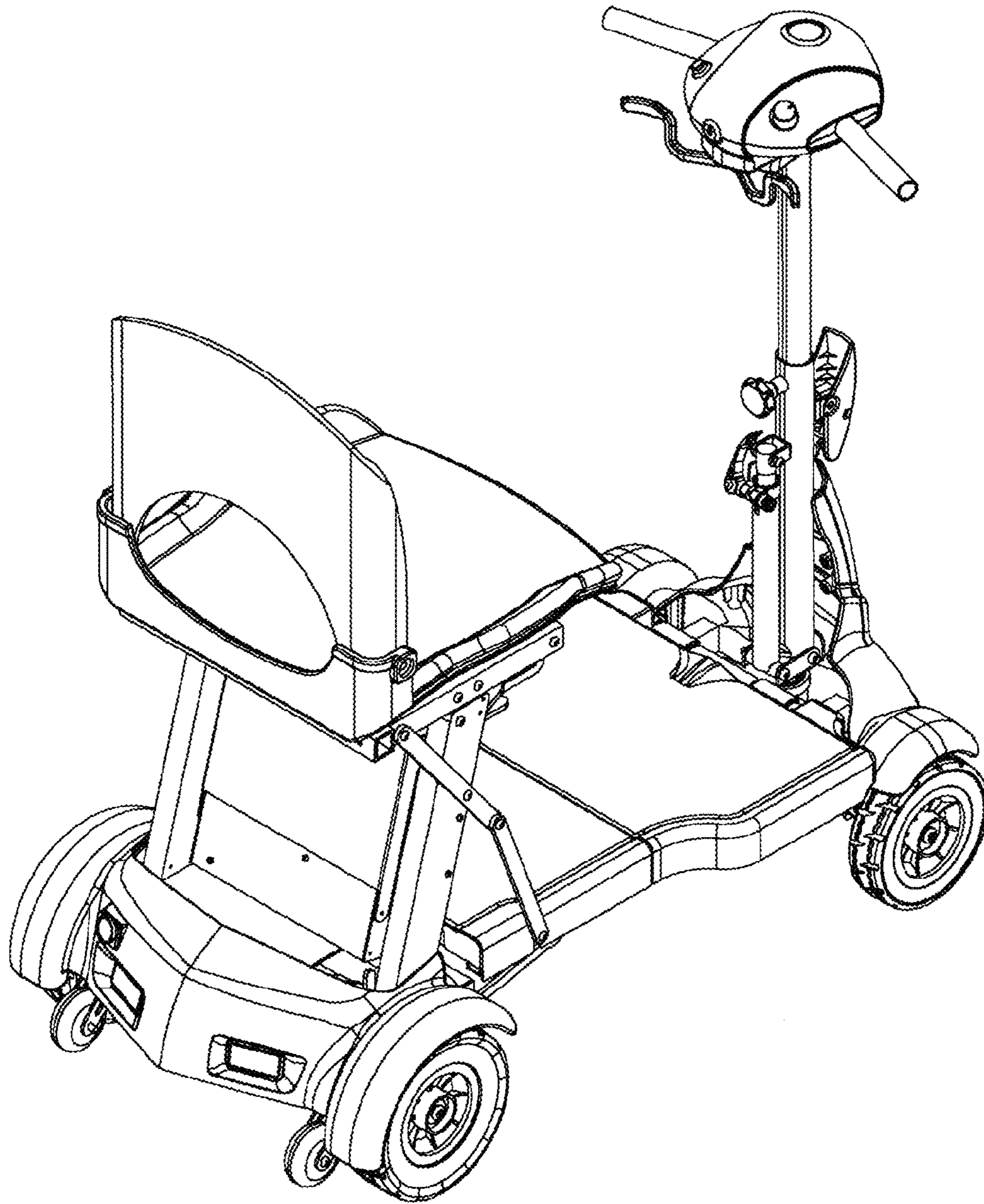


Fig. 2

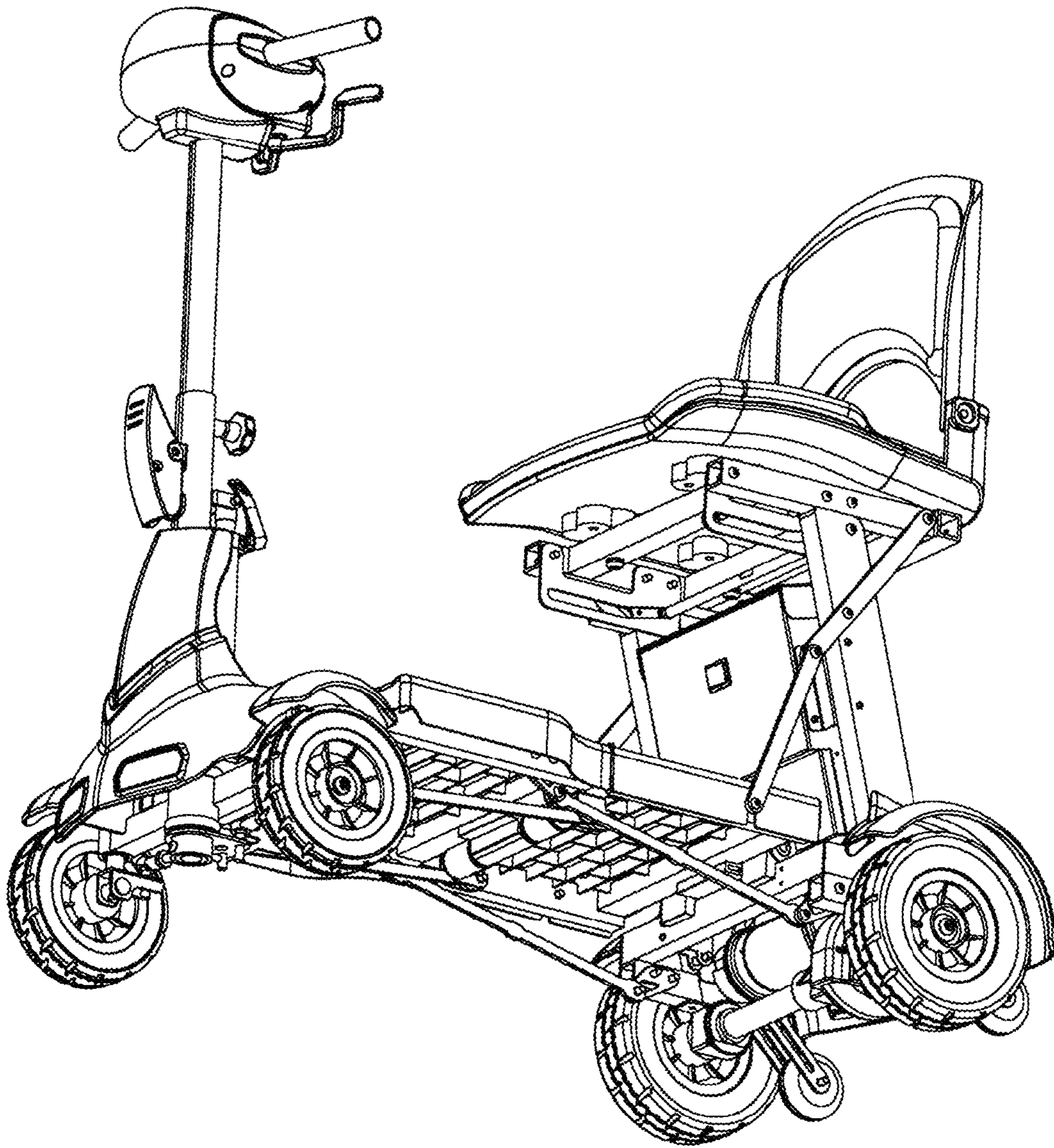


Fig. 3



Fig. 4

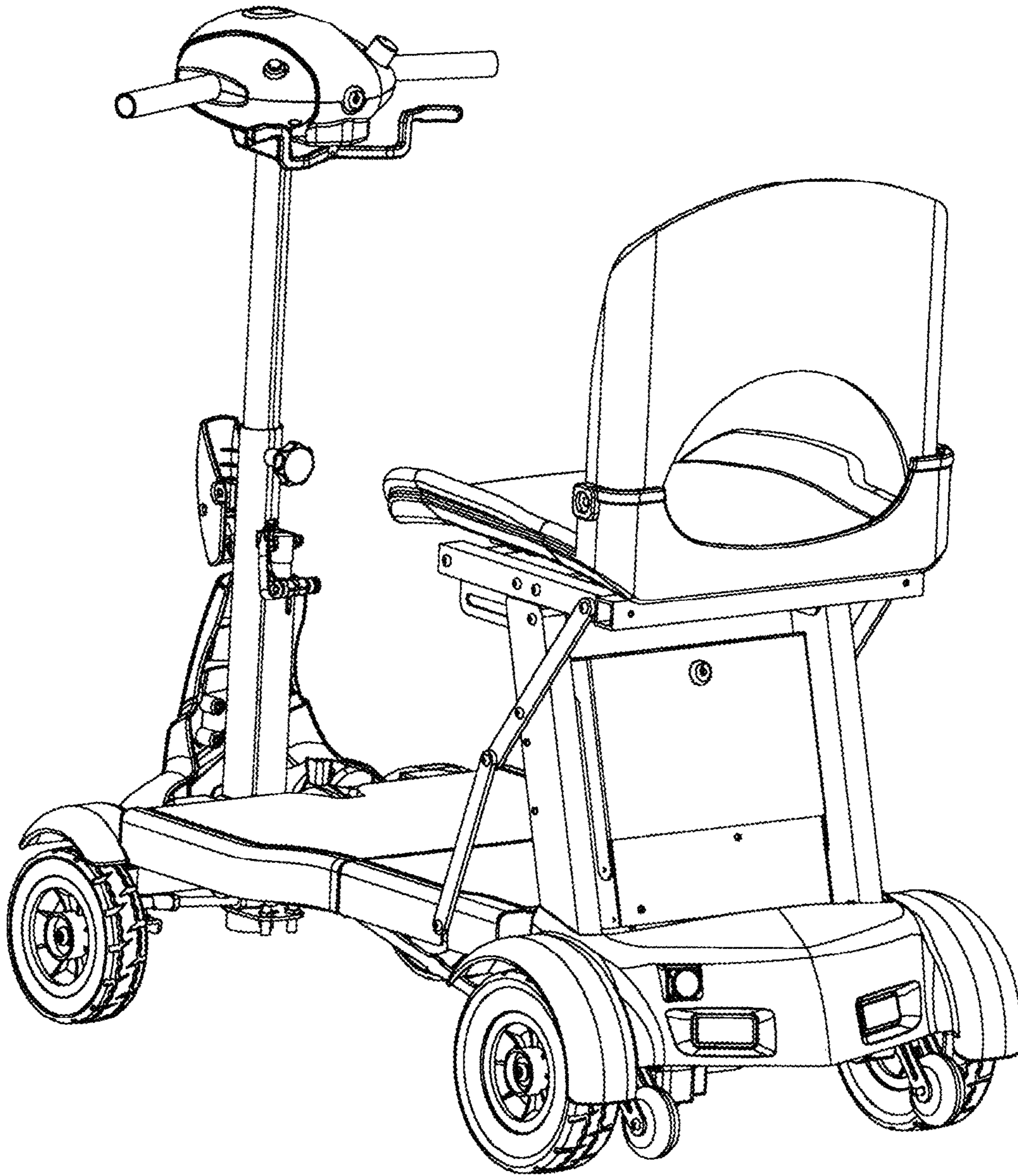


Fig. 5

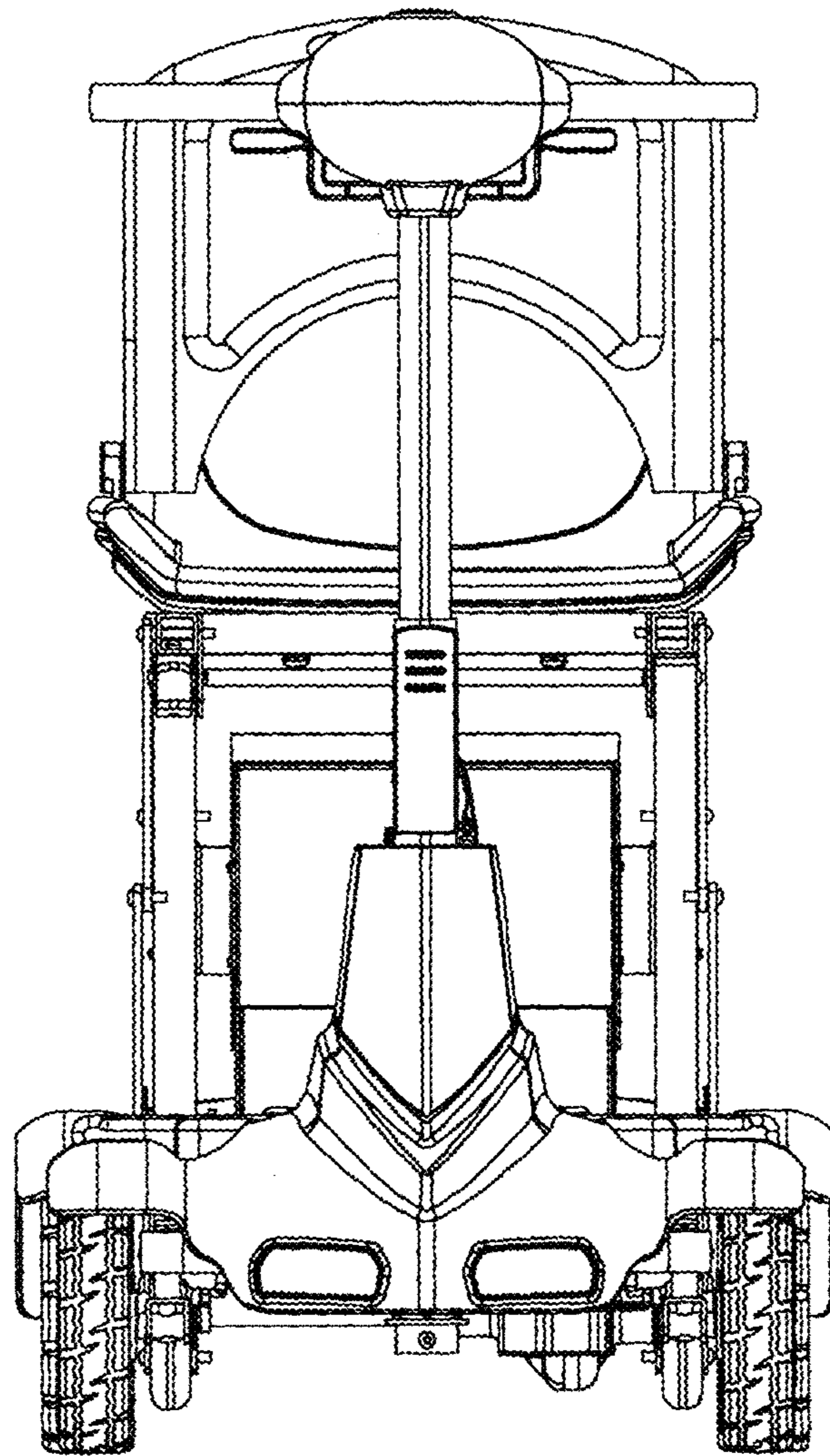


Fig. 6

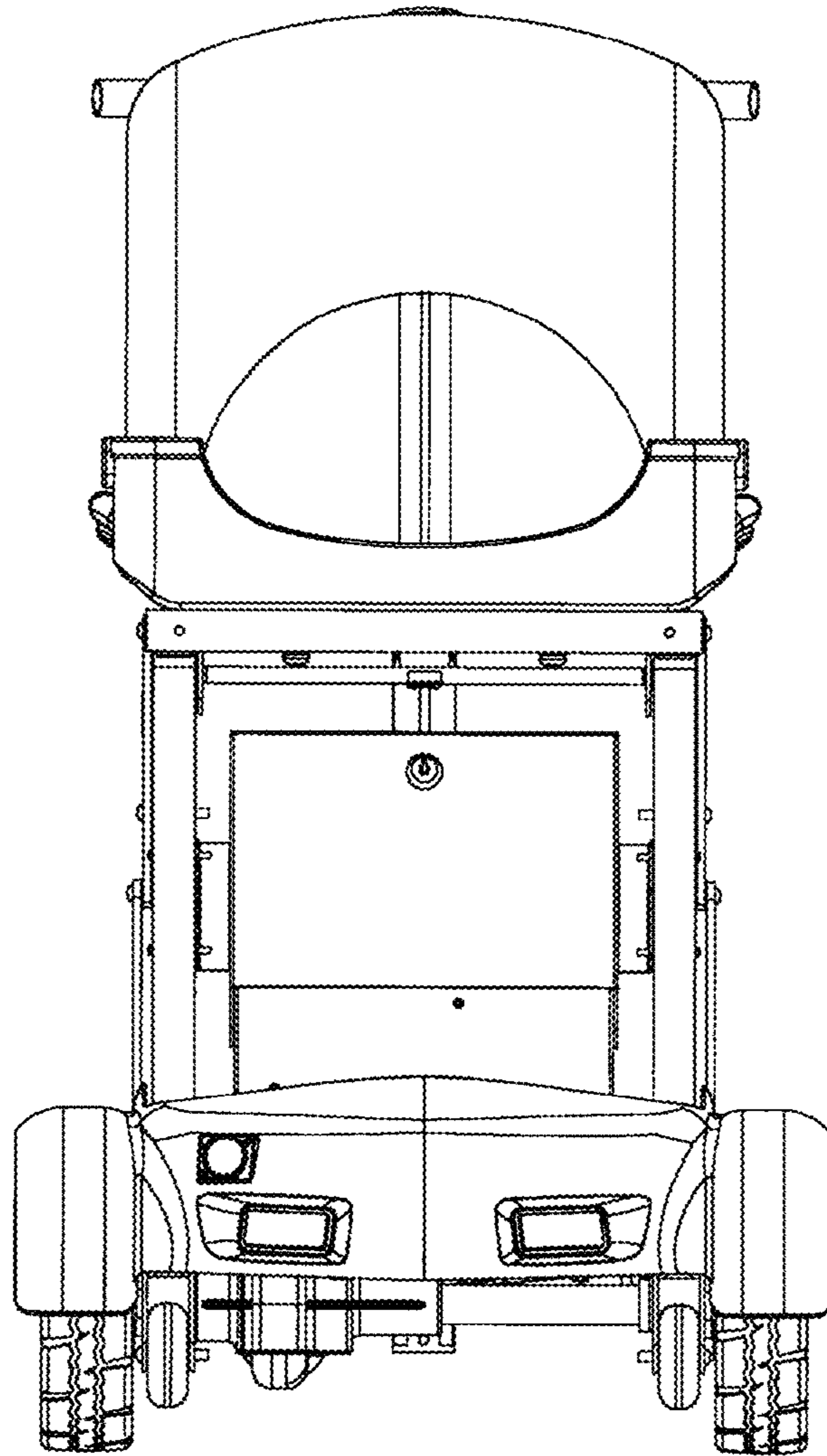


Fig. 7

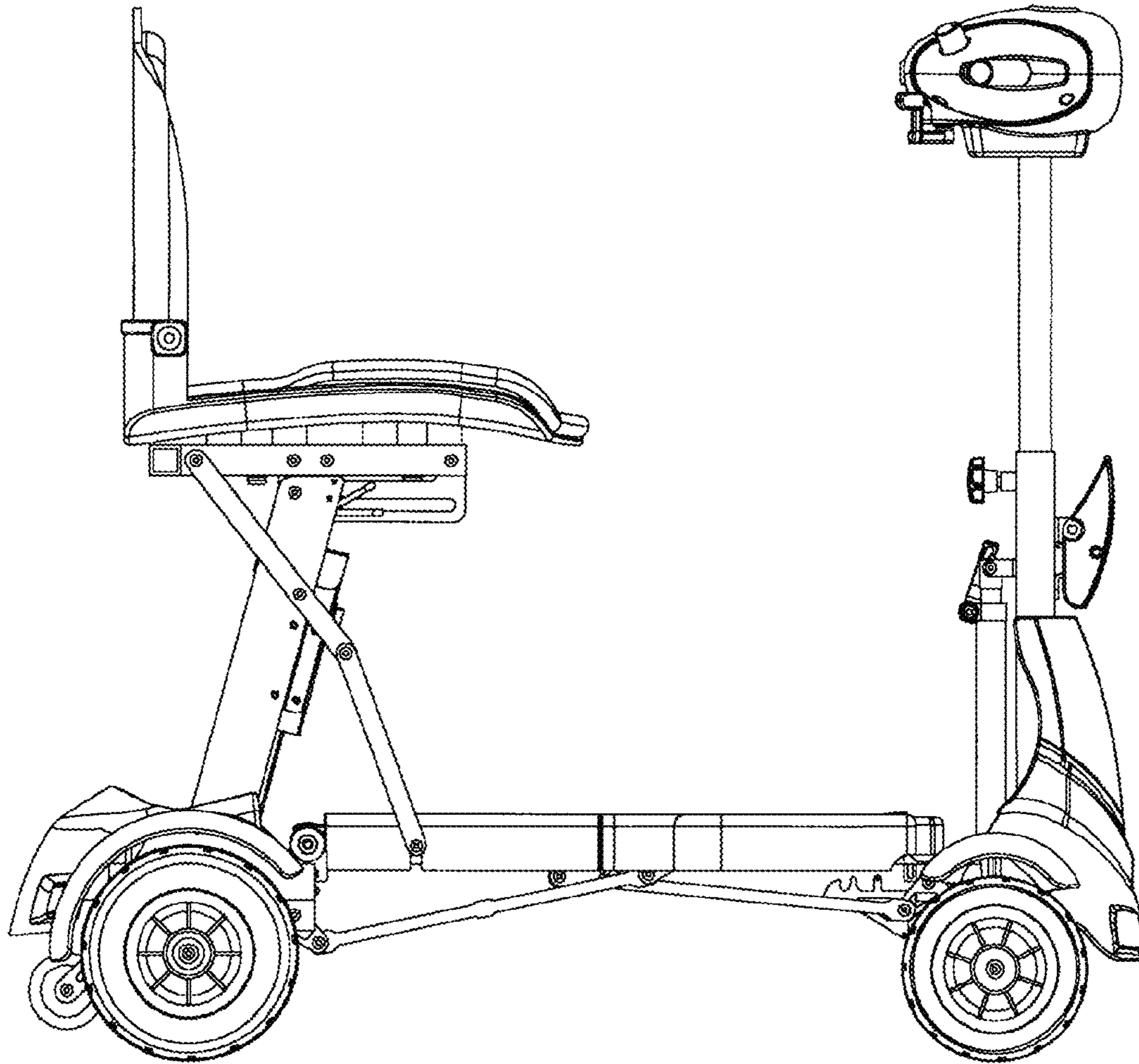


Fig. 8

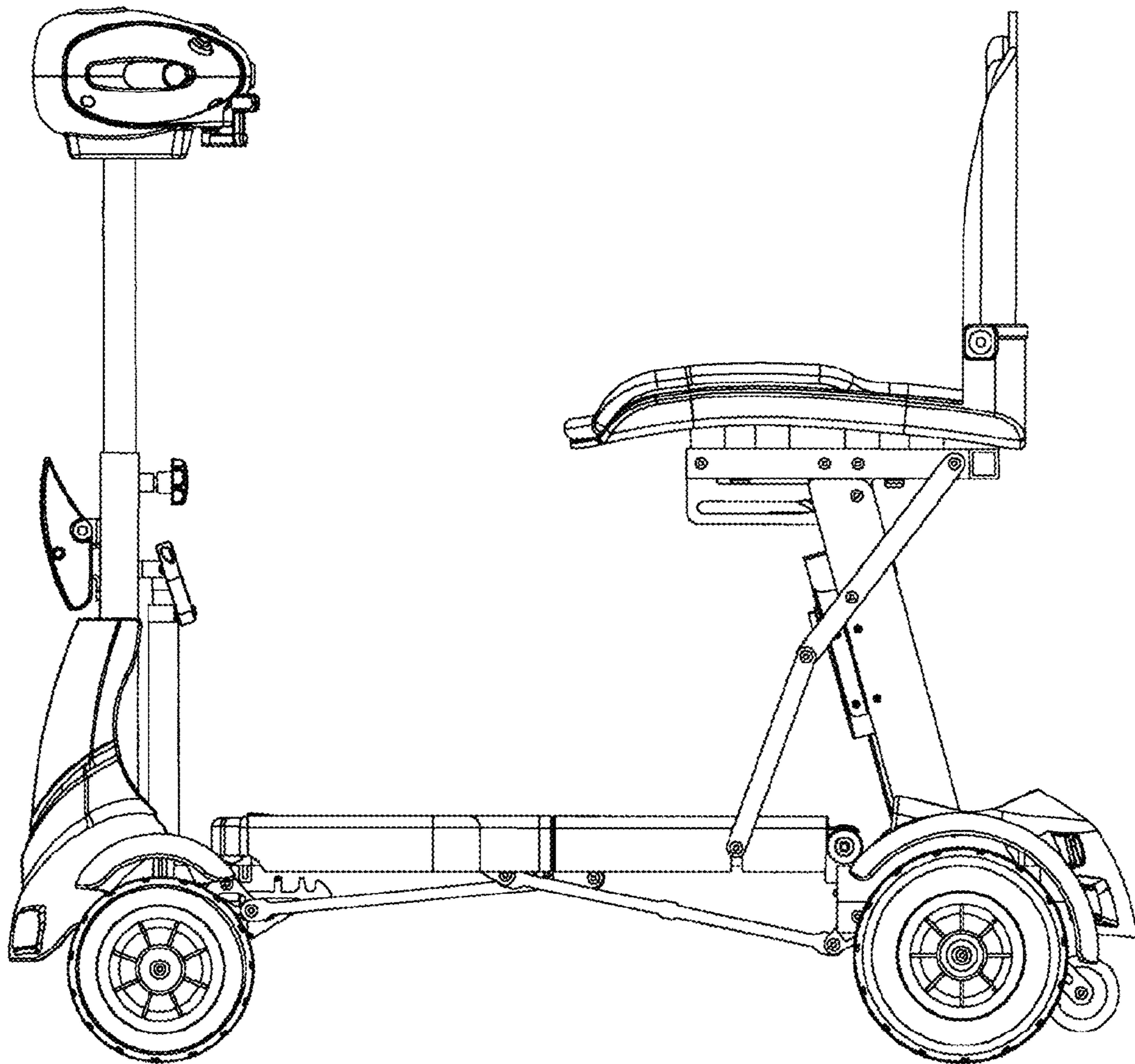


Fig. 9

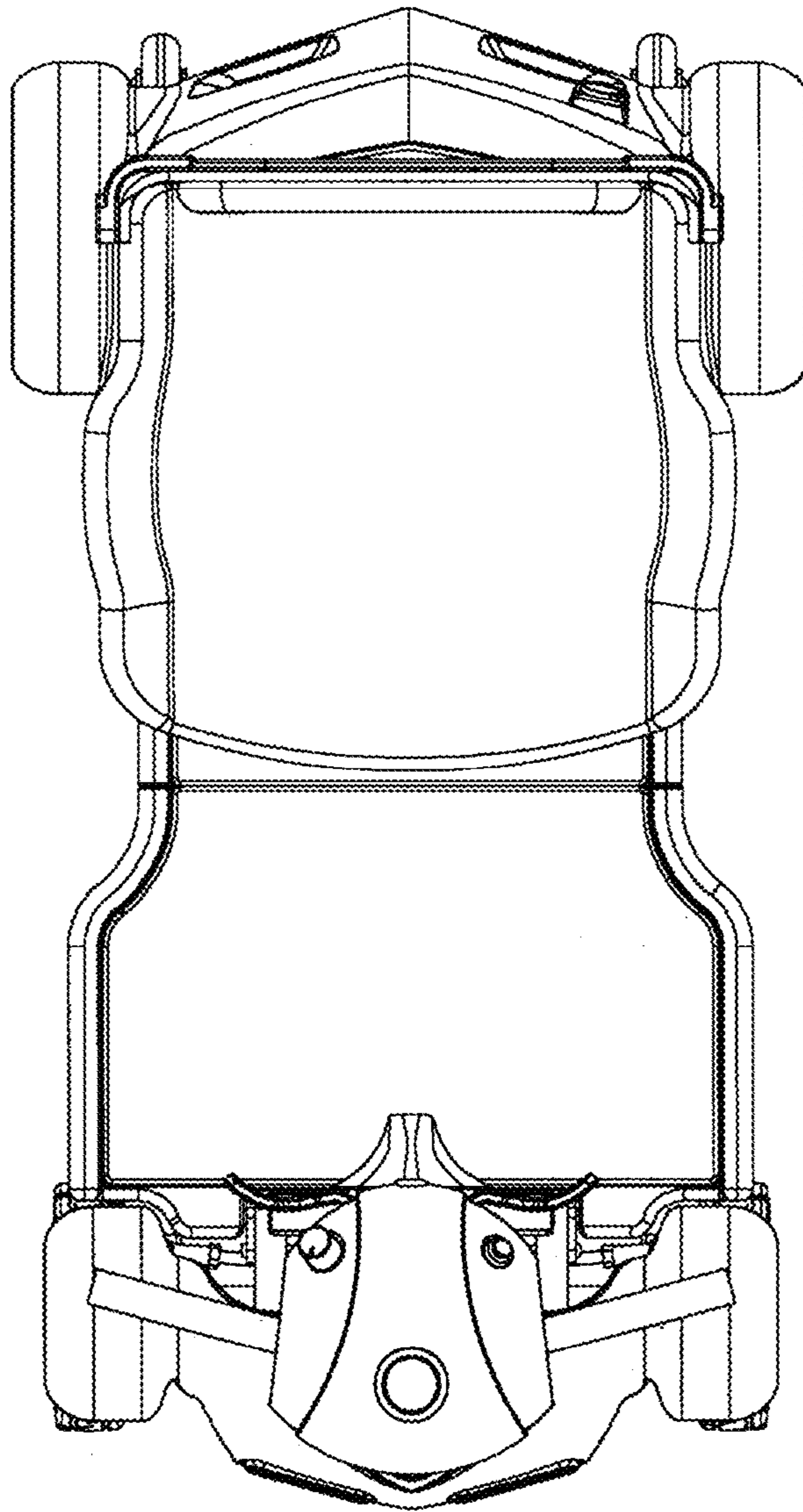


Fig. 10

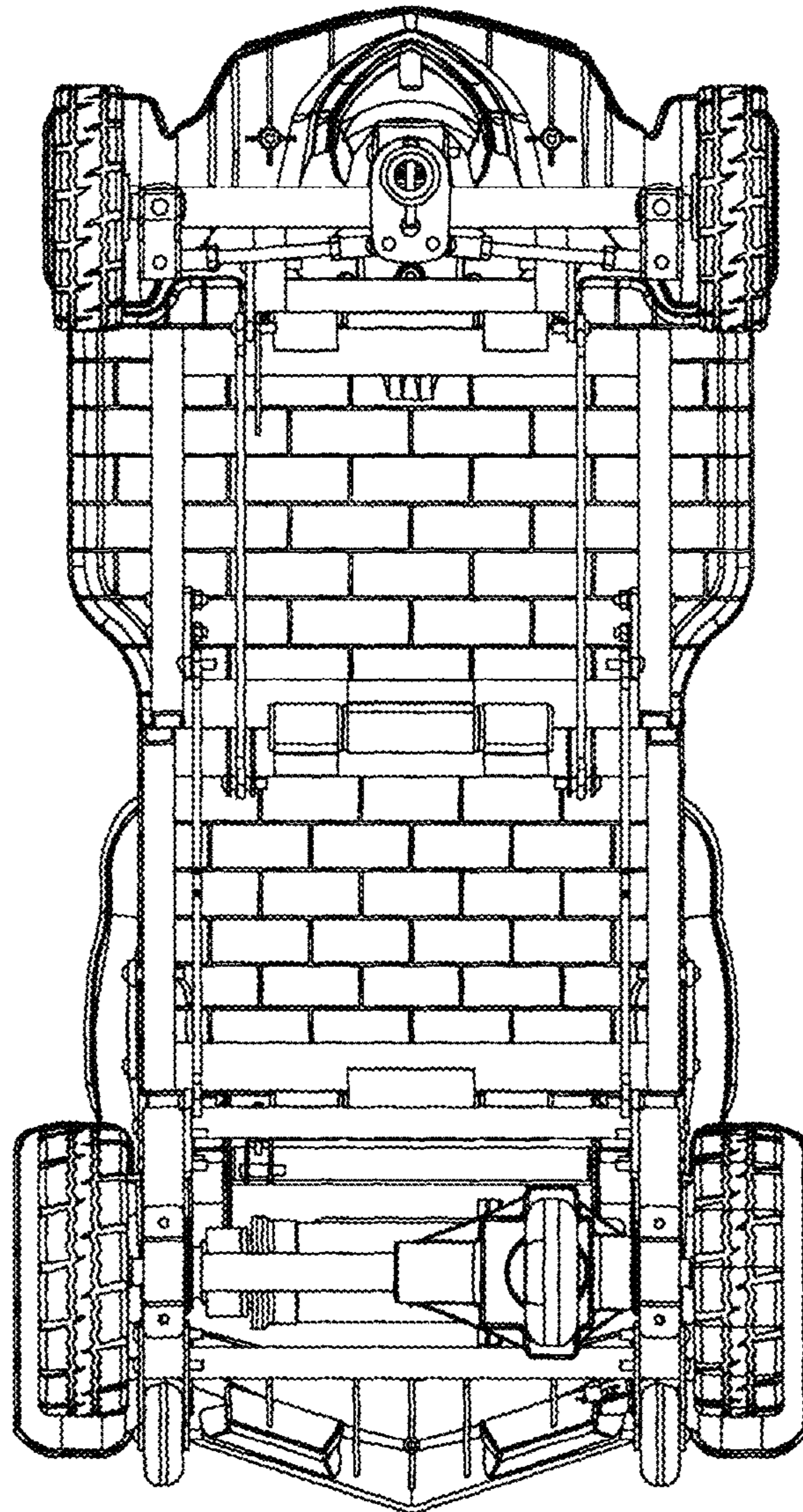


Fig. 11