



US00D76558S

(12) **United States Design Patent** (10) **Patent No.:** **US D765,558 S**  
**Yentzer et al.** (45) **Date of Patent:** **\*\* Sep. 6, 2016**

(54) **WHEEL CHAIR**  
(71) Applicants: **Dana R. Yentzer**, Tucson, AZ (US);  
**Melvin G. Hector, Jr.**, Tucson, AZ (US)  
(72) Inventors: **Dana R. Yentzer**, Tucson, AZ (US);  
**Melvin G. Hector, Jr.**, Tucson, AZ (US)  
(73) Assignee: **Safely Made USA, LLC**, Tucson, AZ (US)  
(\*\*) Term: **14 Years**

4,717,169 A \* 1/1988 Shaffer ..... 280/648  
4,763,952 A \* 8/1988 Gaudreau, Jr. .... 297/383  
D301,131 S \* 5/1989 Brooks ..... D12/128  
5,195,803 A \* 3/1993 Quintile ..... 297/365  
5,211,414 A \* 5/1993 Galumbeck ..... 280/250.1  
5,380,034 A \* 1/1995 Wilson ..... 280/657  
5,401,044 A \* 3/1995 Galumbeck ..... 280/250.1  
5,509,673 A \* 4/1996 Wu et al. .... 280/250.1  
5,586,343 A \* 12/1996 Mayle ..... 4/480  
5,634,650 A \* 6/1997 Hensler et al. .... 280/47.38  
5,669,619 A \* 9/1997 Kim ..... 280/250.1  
D389,099 S \* 1/1998 McKay ..... D12/131  
D443,563 S \* 6/2001 Johnson ..... D12/131  
D451,435 S \* 12/2001 Schlangen et al. .... D12/131  
D451,849 S \* 12/2001 Noshi ..... D12/131

\* cited by examiner

(21) Appl. No.: **29/468,165**

*Primary Examiner* — Charles Hanson

(22) Filed: **Sep. 26, 2013**

**Related U.S. Application Data**

(62) Division of application No. 12/716,875, filed on Mar. 3, 2010, now Pat. No. 8,622,409.

(51) **LOC (10) Cl.** ..... **12-12**

(52) **U.S. Cl.**  
USPC ..... **D12/131**

(58) **Field of Classification Search**  
USPC ..... D12/128–133; 280/62, 647–650, 29,  
280/200, 47.38, 250.1, 259, 642, 658;  
296/65.03, 65.04; 224/409;  
297/188.06, 365, 383; 4/480  
CPC ..... A61G 5/00–5/14  
See application file for complete search history.

(56) **References Cited**

**U.S. PATENT DOCUMENTS**

3,907,051 A \* 9/1975 Weant et al. .... 180/6.2  
4,577,903 A \* 3/1986 Wells ..... 297/188.06

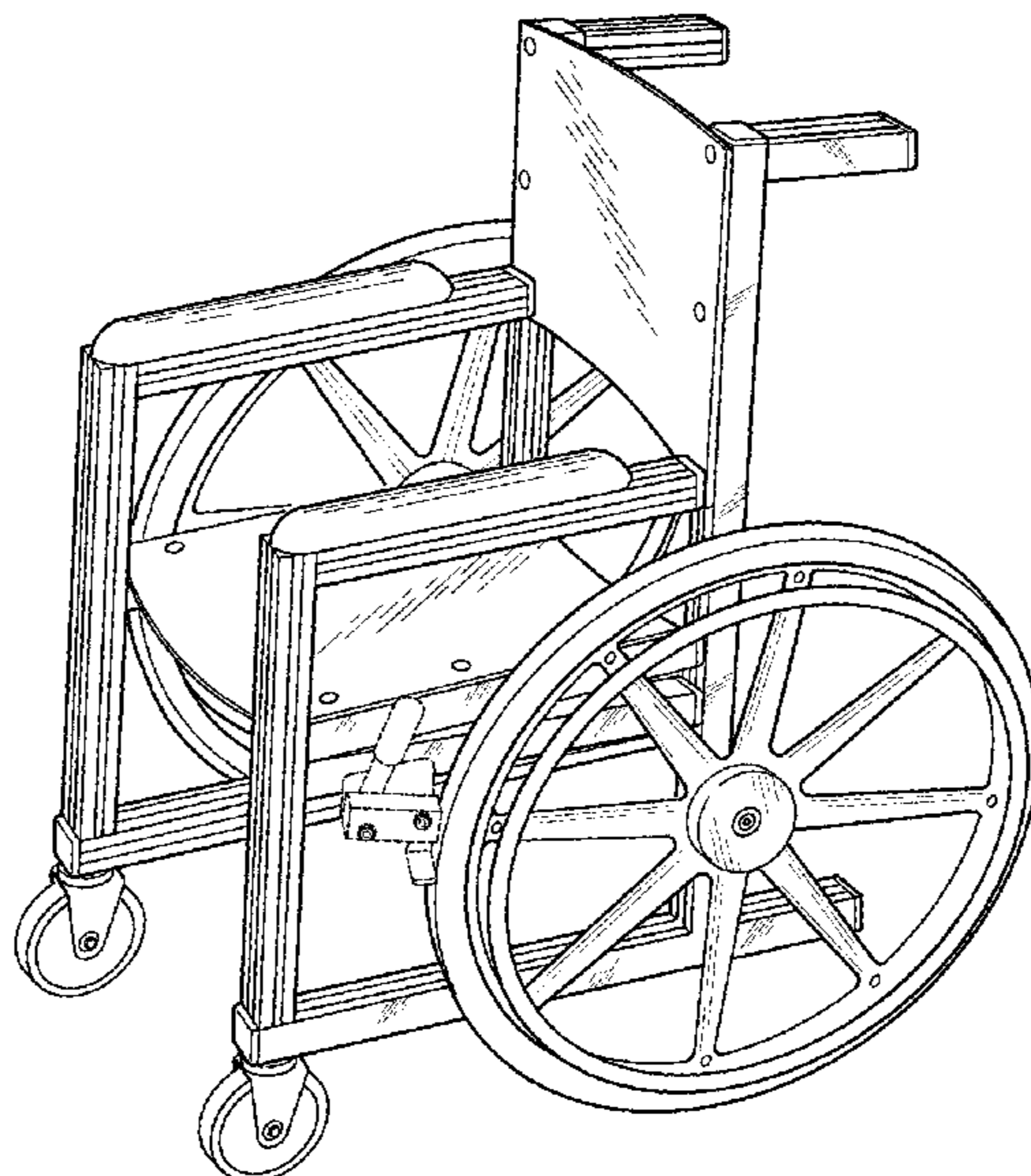
(57) **CLAIM**

We claim the ornamental design for a wheel chair, as shown and described.

**DESCRIPTION**

FIG. 1 is a front perspective view of a wheel chair showing our new design;  
FIG. 2 is a front view thereof;  
FIG. 3 is a rear elevation view thereof;  
FIG. 4 is an inside view thereof, taken along line 4-4 in FIG. 2;  
FIG. 5 is a left side elevation view thereof, the right side being a mirror image;  
FIG. 6 is a top plan view thereof; and,  
FIG. 7 is a bottom plan view thereof.  
The broken lines show features of the wheel chair that are functional and not part of our design, and are illustrative to show the environment of the wheel chair according to our design.

**1 Claim, 7 Drawing Sheets**



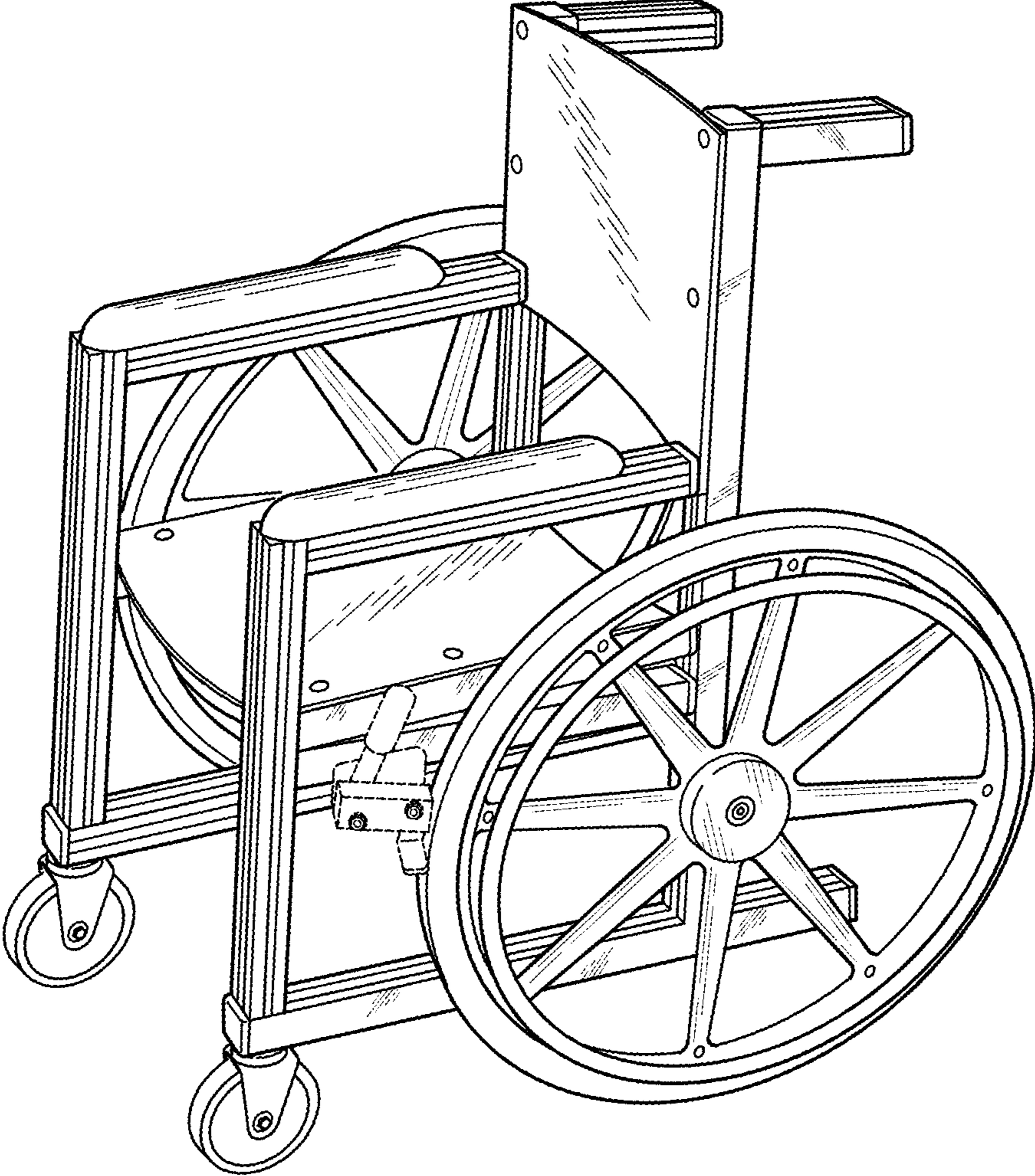
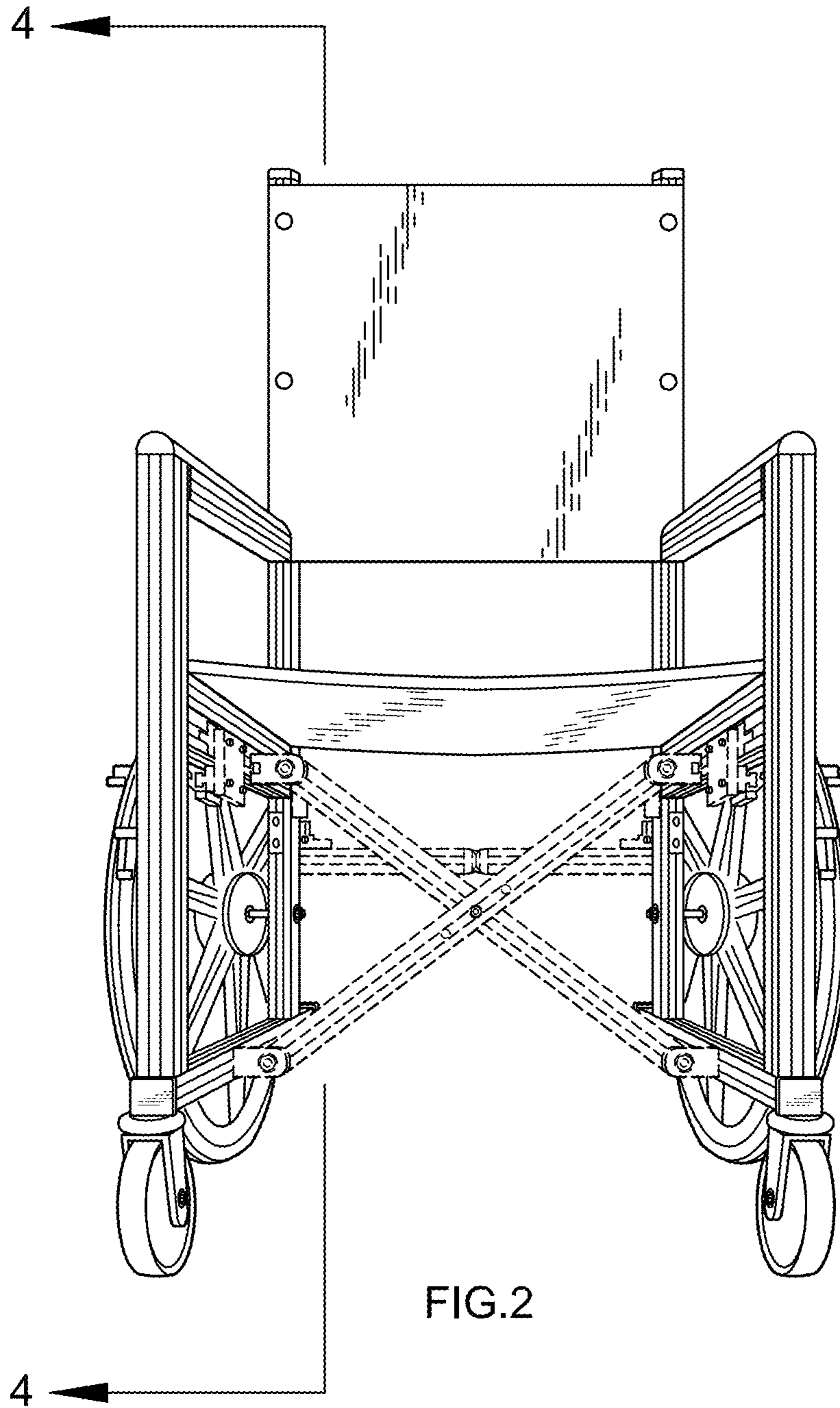


FIG.1





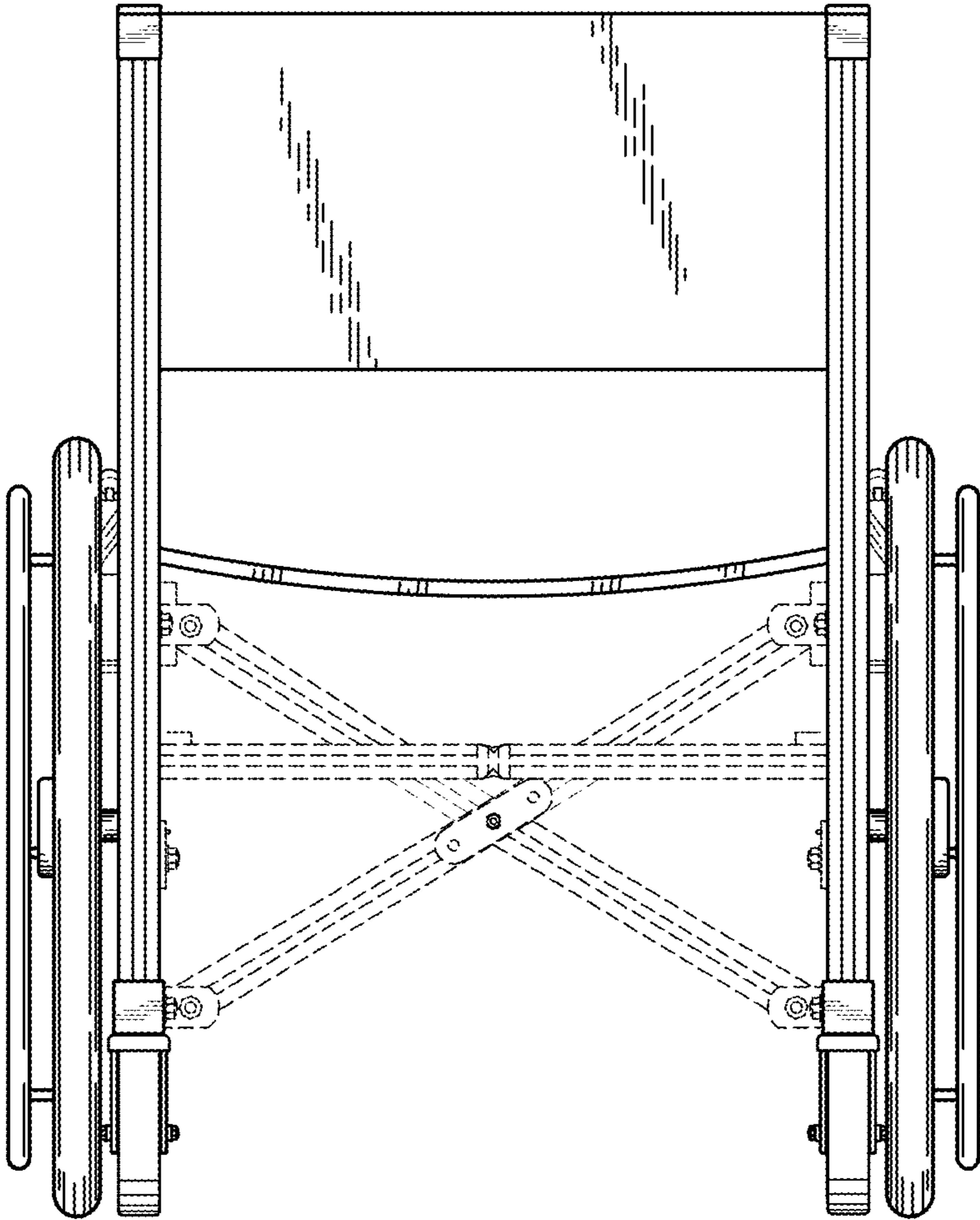


FIG.3

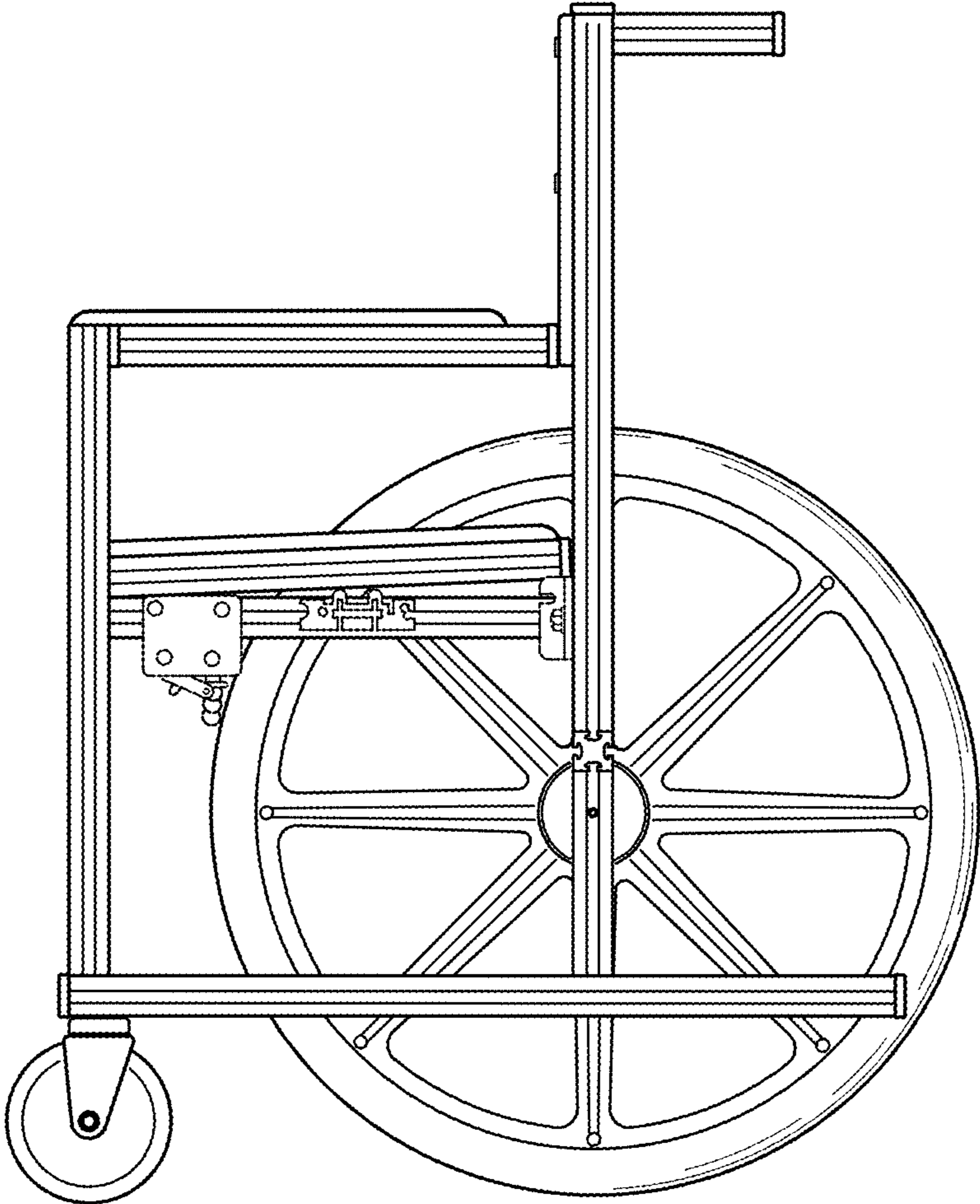


FIG.4

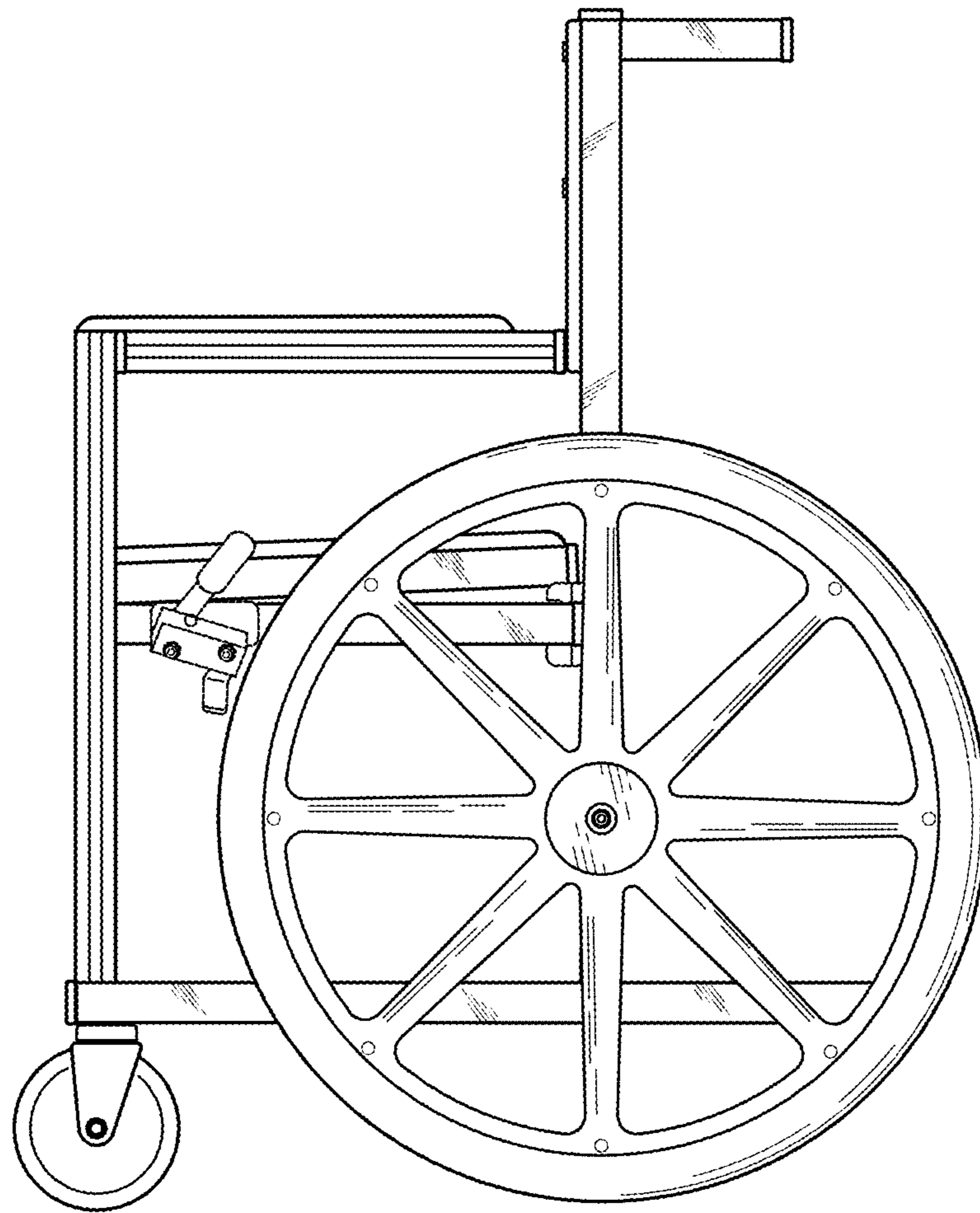


FIG.5

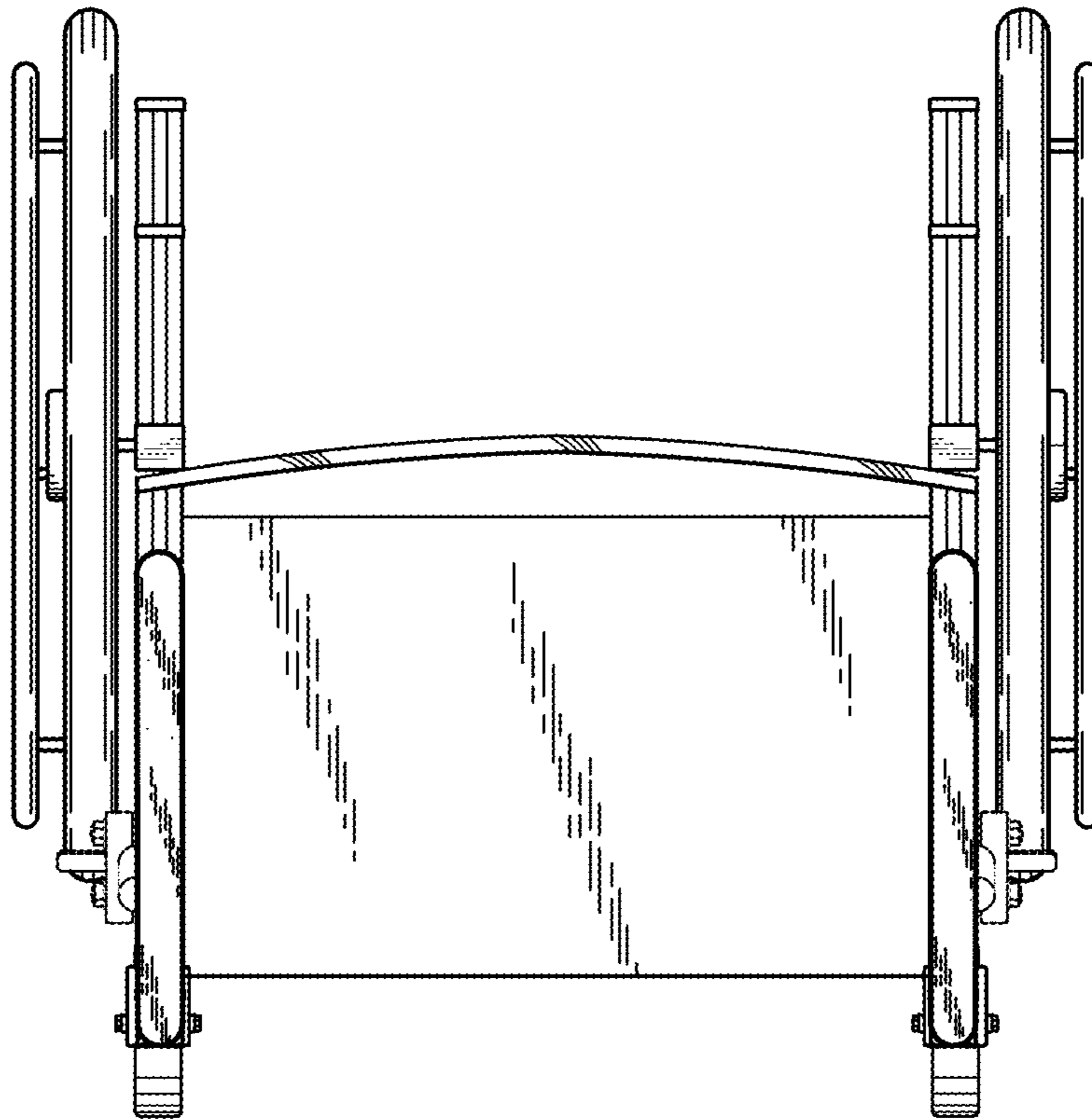


FIG.6

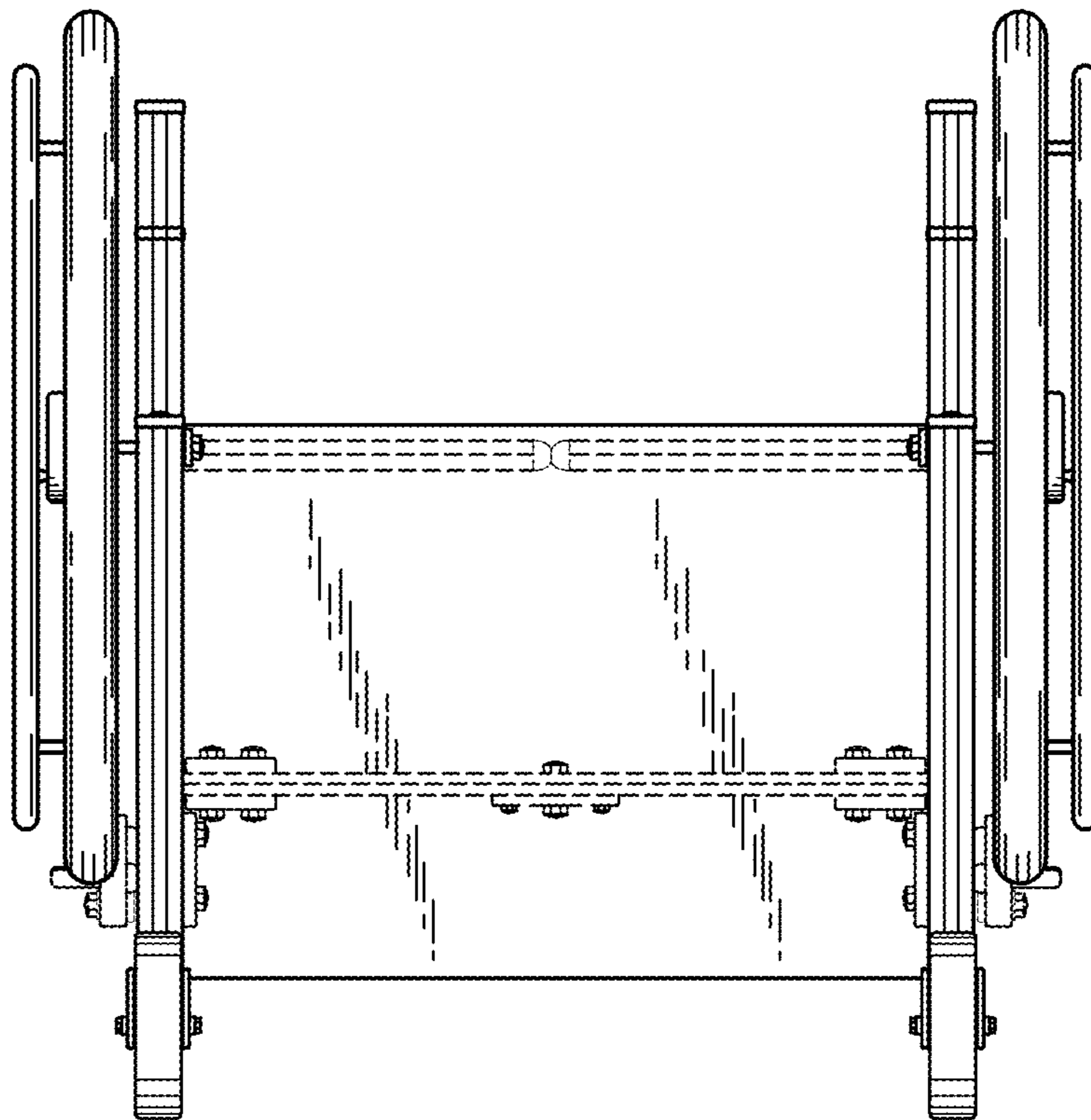


FIG.7