

US00D765556S

(12) **United States Design Patent** (10) **Patent No.:** **US D765,556 S**  
**Knopow et al.** (45) **Date of Patent:** **\*\* Sep. 6, 2016**

(54) **AMBULATION AID**  
(71) Applicant: **Motivo, Inc.**, Franklin, WI (US)  
(72) Inventors: **Jeremy F. Knopow**, Burlington, WI (US); **Jennifer R. Harris**, Milwaukee, WI (US)  
(73) Assignee: **MOTIVO, INC.**, Franklin, WI (US)  
(\*\*) Term: **14 Years**

D397,644 S 9/1998 Douglass  
6,014,981 A 1/2000 Douglass  
D503,130 S \* 3/2005 Bourget ..... D12/130  
7,040,637 B2 5/2006 Owens et al.  
7,108,004 B2 9/2006 Cowie et al.  
D533,814 S \* 12/2006 Kende ..... D12/130  
7,157,034 B2 1/2007 Bristow et al.  
7,198,284 B2 4/2007 Cerreto et al.  
7,559,560 B2 7/2009 Li et al.  
7,866,677 B1 1/2011 Rothstein et al.  
8,434,780 B2 5/2013 Li  
8,602,185 B1 \* 12/2013 White ..... A61H 3/04  
135/66

(21) Appl. No.: **29/495,383**  
(22) Filed: **Jun. 30, 2014**  
(51) **LOC (10) Cl.** ..... **12-12**  
(52) **U.S. Cl.**  
USPC ..... **D12/130**  
(58) **Field of Classification Search**  
USPC ..... D12/130  
CPC ..... A61H 3/00; A61H 3/04; A61H  
2003/001-2003/007; A61H 2003/043; A61H  
2003/046  
See application file for complete search history.

OTHER PUBLICATIONS

Invacare Corporation, "Personal Care Products," 2001, 32 Pages. Scooterville, "Runabout Folding Rollator (SC808)" retrieved from the internet:<[http://www.scooterville.com/Scooterville\\_Runabout\\_Folding\\_Rollator\\_%28SC808%29/p/41726/c/669/](http://www.scooterville.com/Scooterville_Runabout_Folding_Rollator_%28SC808%29/p/41726/c/669/)>, last visited Jun. 27, 2014, 2 pages.  
Eurovema, "Volaris 1422150 S7 Rollator," p. 67, retrieved from the internet:<[http://www.volaris.se/en-gb/pdf/broschyr/broschyr\\_eurovema\\_1406\\_eng.pdf](http://www.volaris.se/en-gb/pdf/broschyr/broschyr_eurovema_1406_eng.pdf)>, last visited Jun. 27, 2014, 73 pages.  
Breeze by Access, "Breeze," retrieved from the internet:<<http://www.breeze-walker.com/>>, last visited Jun. 27, 2014, 2 page.  
Active by Access, "Active," retrieved from the internet:<<http://www.active-walker.com/usa/home>>, last visited Jun. 27, 2014, 1 page.  
Invacare Corporation, "Dolomite," retrieved from the internet:<<http://www.dolomite.biz/>>, last visited Jun. 27, 2014, 1 page.  
United States Patent and Trademark Office, "Non-Final Office Action", issued in connection with U.S. Appl. No. 29/478,130, mailed on Sep. 10, 2015, 17 pages.  
United States Patent and Trademark Office, "Final Office Action", issued in connection with U.S. Appl. No. 29/478,130, mailed on Feb. 16, 2016, 13 pages.  
United States Patent and Trademark Office, "Notice of Allowance", issued in connection with U.S. Appl. No. 29/495,383, mailed on Apr. 26, 2016, 12 pages.

(56) **References Cited**

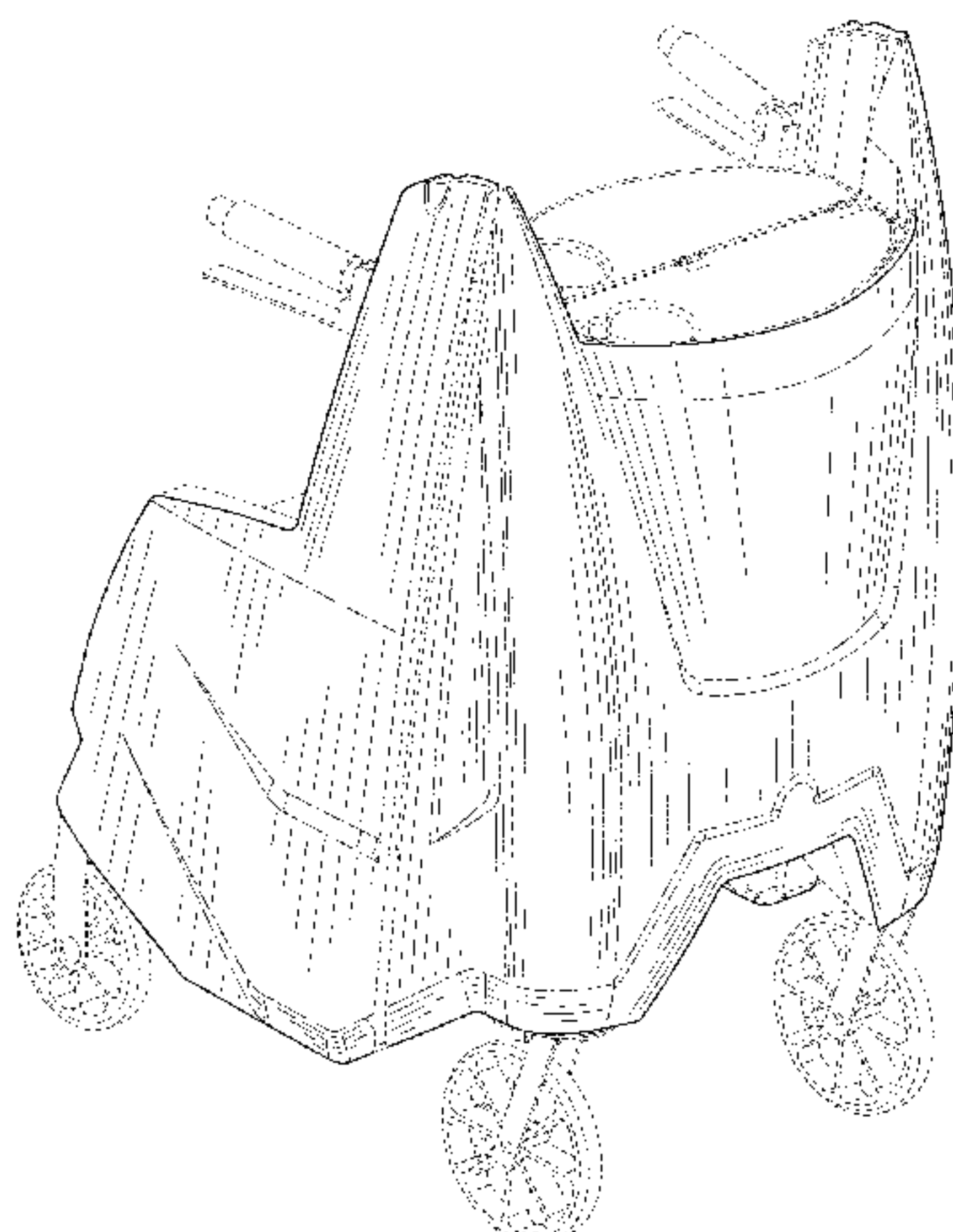
U.S. PATENT DOCUMENTS

268,238 A 11/1882 Johnson  
320,462 A 6/1885 Cowing  
673,100 A 4/1901 Tyler  
1,394,224 A 10/1921 Scott  
1,448,783 A 3/1923 Blewitt et al.  
1,802,323 A 4/1931 Aulmann  
2,205,978 A \* 6/1940 Hoag ..... A61H 3/04  
297/5  
2,278,901 A 4/1942 Smock  
2,305,249 A 12/1942 Frost  
2,437,778 A 3/1948 Ames  
2,667,914 A 2/1954 Forbes  
2,745,465 A 5/1956 Hogan  
2,796,916 A 6/1957 Womble  
2,817,387 A 12/1957 Blake  
4,029,311 A 6/1977 Chanslor et al.  
D315,702 S \* 3/1991 Van Dyke ..... D12/133  
5,529,425 A 6/1996 Spies et al.  
5,692,762 A 12/1997 Obitts

\* cited by examiner

*Primary Examiner* — Charles Hanson  
(74) *Attorney, Agent, or Firm* — Hanley, Flight & Zimmerman, LLC

(57) **CLAIM**  
The ornamental design for an ambulation aid, as shown and described.



**DESCRIPTION**

FIG. 1 is a first isometric view of an ambulation aid showing a storage compartment in an open position, a tray in a non-stored position and a seat in a non-stored position.

FIG. 2 is a rear view of the ambulation aid of FIG. 1.

FIG. 3 is a front view of the ambulation aid of FIG. 1.

FIG. 4 is a first side view of the ambulation aid of FIG. 1.

FIG. 5 is a second side view of the ambulation aid of FIG. 1.

FIG. 6 is a top view of the ambulation aid of FIG. 1.

FIG. 7 is a bottom view of the ambulation aid of FIG. 1.

FIG. 8 is a second isometric view of the ambulation aid of FIG. 1.

FIG. 9 is a first isometric view of an ambulation aid in a folded configuration.

FIG. 10 is a rear view of the ambulation aid of FIG. 9.

FIG. 11 is a front view of the ambulation aid of FIG. 9.

FIG. 12 is a first side view of the ambulation aid of FIG. 9.

FIG. 13 is a second side view of the ambulation aid of FIG. 9.

FIG. 14 is a top view of the ambulation aid of FIG. 9.

FIG. 15 is a bottom view of the ambulation aid of FIG. 9.

FIG. 16 is a second isometric view of the ambulation aid of FIG. 9.

FIG. 17 is a first isometric view of an ambulation aid showing a storage compartment in a closed position, a tray in a stored position and a seat in a stored position.

FIG. 18 is a rear view of the ambulation aid of FIG. 17.

FIG. 19 is a front view of the ambulation aid of FIG. 17.

FIG. 20 is a first side view of the ambulation aid of FIG. 17.

FIG. 21 is a second side view of the ambulation aid of FIG. 17.

FIG. 22 is a top view of the ambulation aid of FIG. 17.

FIG. 23 is a bottom view of the ambulation aid of FIG. 17.

FIG. 24 is a second isometric view of the ambulation aid of FIG. 17.

FIG. 25 is a first isometric view of an ambulation aid showing a storage compartment in a closed position, a tray in a stored position and a seat in a non-stored position.

FIG. 26 is a rear view of the ambulation aid of FIG. 25.

FIG. 27 is a front view of the ambulation aid of FIG. 25.

FIG. 28 is a first side view of the ambulation aid of FIG. 25.

FIG. 29 is a second side view of the ambulation aid of FIG. 25.

FIG. 30 is a top view of the ambulation aid of FIG. 25.

FIG. 31 is a bottom view of the ambulation aid of FIG. 25.

FIG. 32 is a second isometric view of the ambulation aid of FIG. 25.

FIG. 33 is a first isometric view of an ambulation aid showing a storage compartment in an open position, a tray in a stored position and a seat in a stored position.

FIG. 34 is a rear view of the ambulation aid of FIG. 33.

FIG. 35 is a front view of the ambulation aid of FIG. 33.

FIG. 36 is a first side view of the ambulation aid of FIG. 33.

FIG. 37 is a second side view of the ambulation aid of FIG. 33.

FIG. 38 is a top view of the ambulation aid of FIG. 33.

FIG. 39 is a bottom view of the ambulation aid of FIG. 33.

FIG. 40 is a second isometric view of the ambulation aid of FIG. 33.

FIG. 41 is a first isometric view of an ambulation aid showing a storage compartment in a closed position, a tray in a non-stored position and a seat in a stored position.

FIG. 42 is a rear view of the ambulation aid of FIG. 41.

FIG. 43 is a front view of the ambulation aid of FIG. 41.

FIG. 44 is a first side view of the ambulation aid of FIG. 41.

FIG. 45 is a second side view of the ambulation aid of FIG. 41.

FIG. 46 is a top view of the ambulation aid of FIG. 41.

FIG. 47 is a bottom view of the ambulation aid of FIG. 41; and,

FIG. 48 is a second isometric view of the ambulation aid of FIG. 41.

The features shown in broken lines represent structural components of the ambulation aid, for example. The features shown in broken lines form no part of the claimed design. The features shown in dot/dashed lines represent contouring of the ambulation aid, for example. The features shown in dot/dashed lines form no part of the claimed design.

**1 Claim, 47 Drawing Sheets**



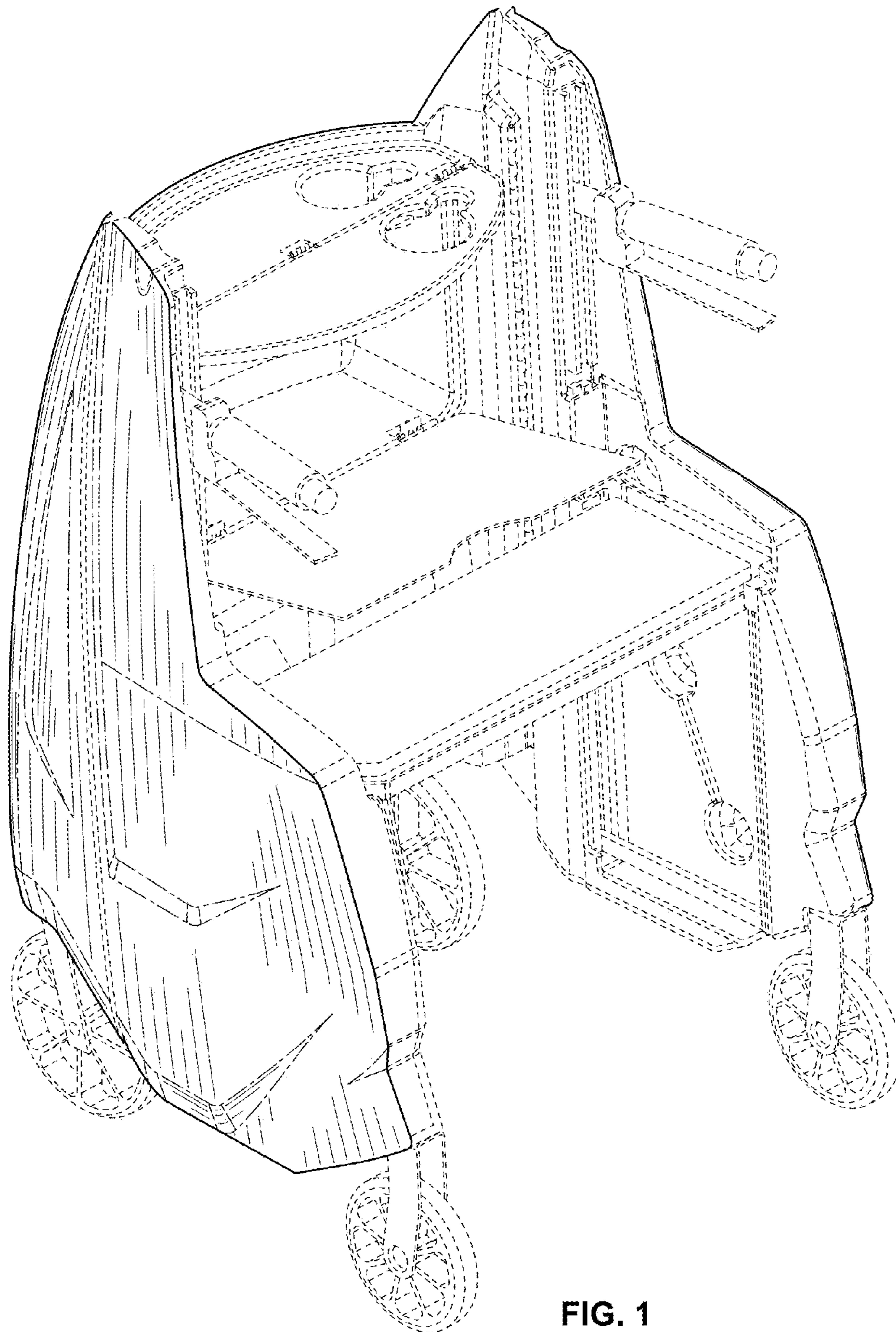


FIG. 1

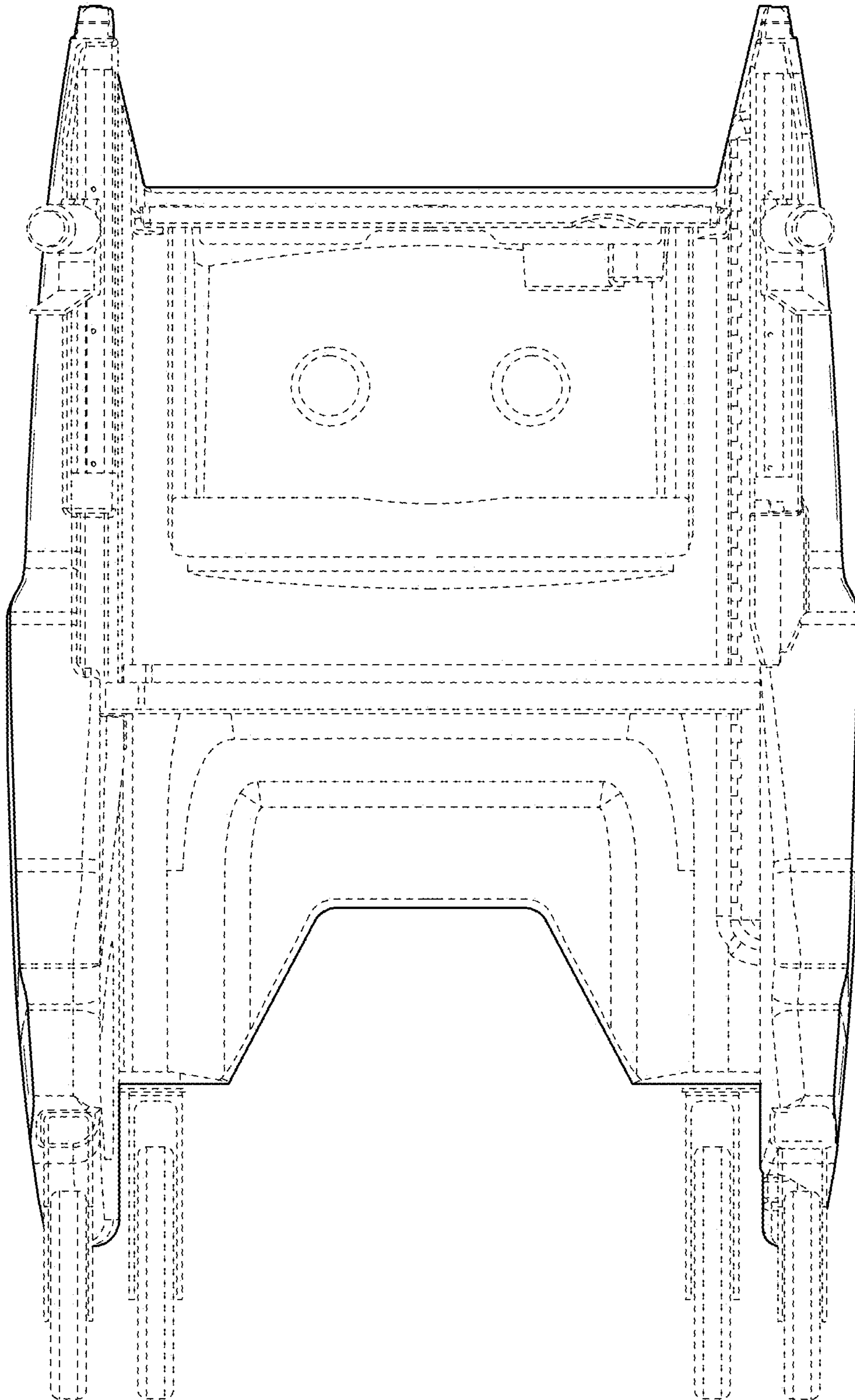


FIG. 2

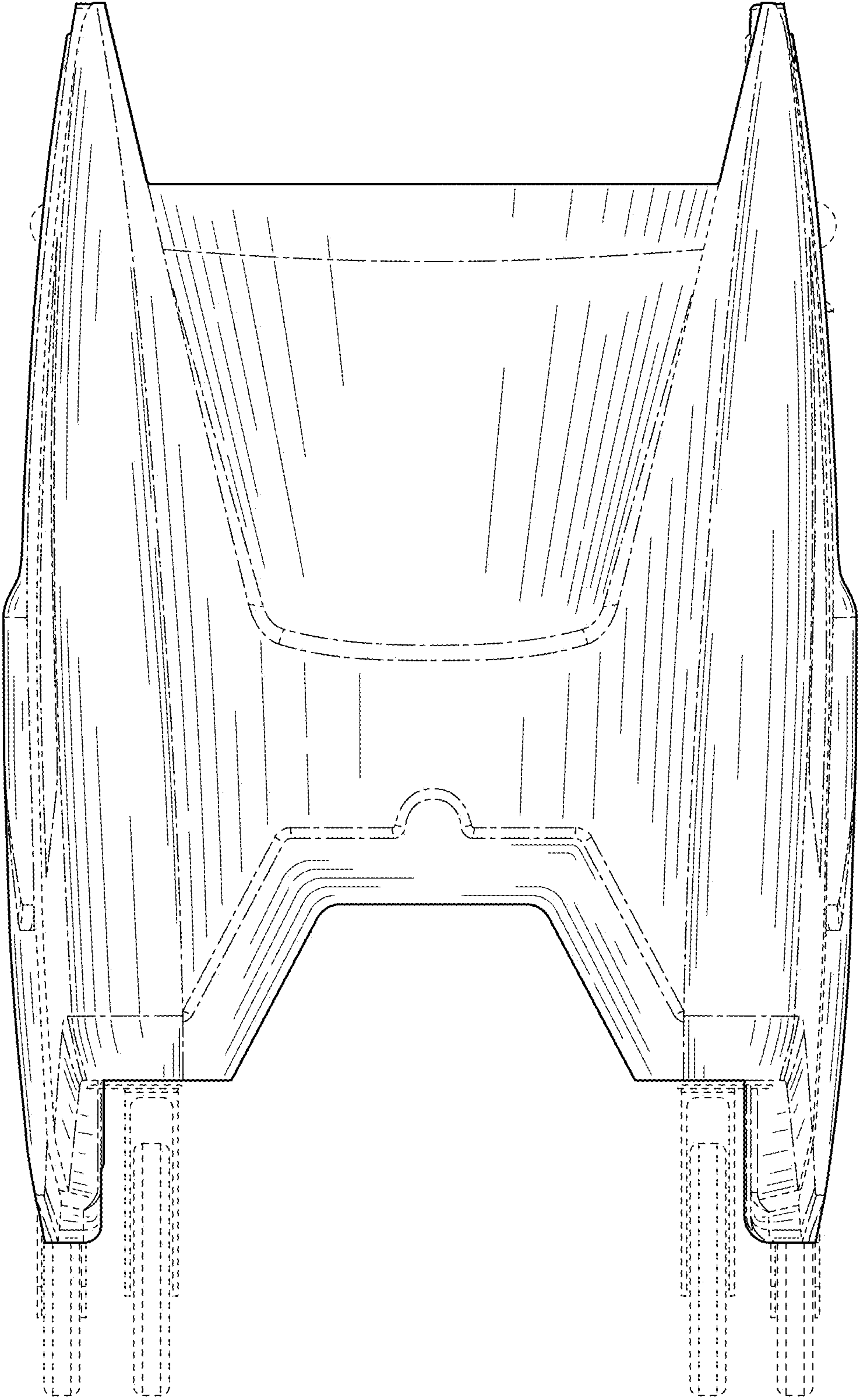


FIG. 3



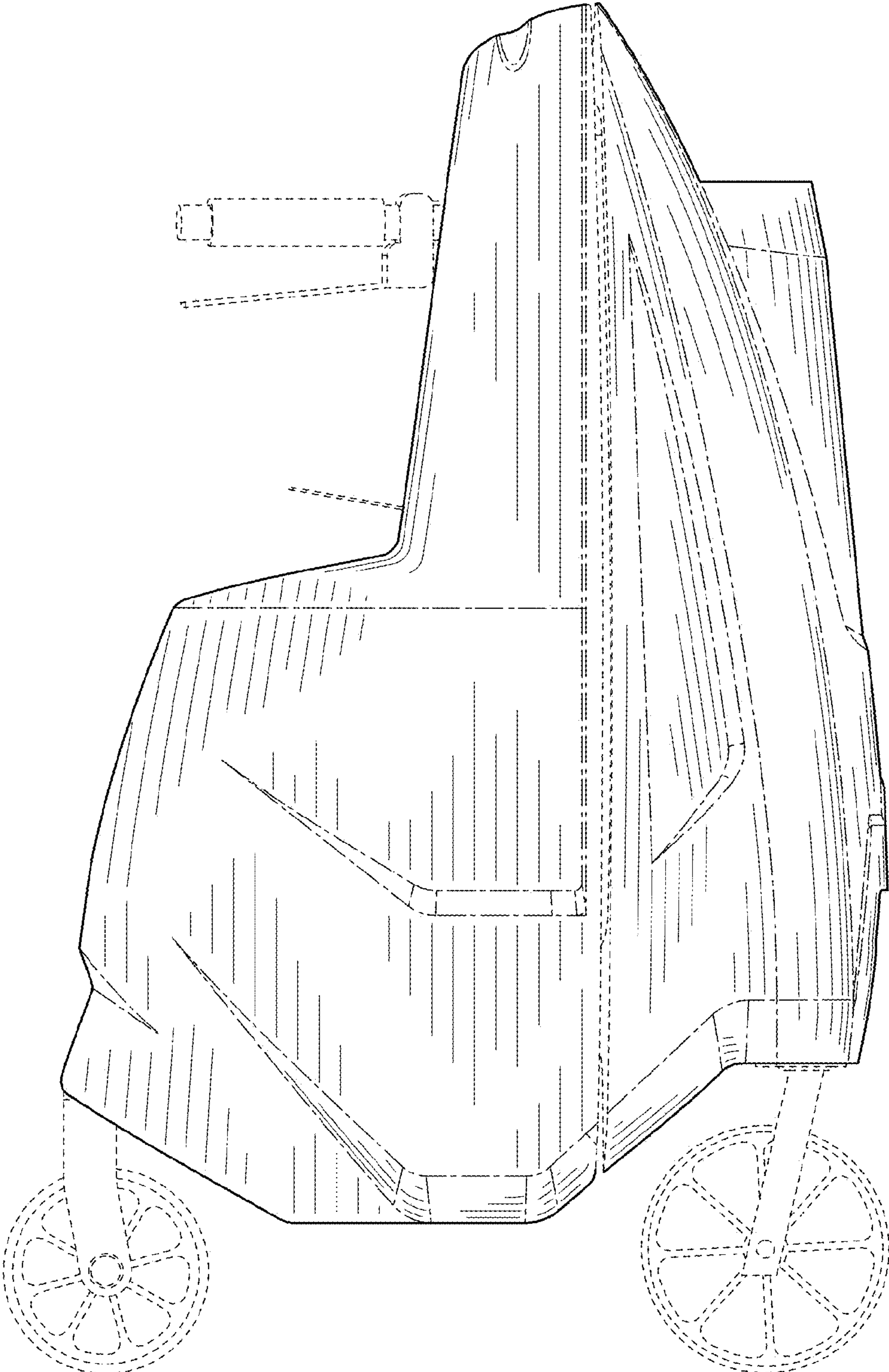


FIG. 4

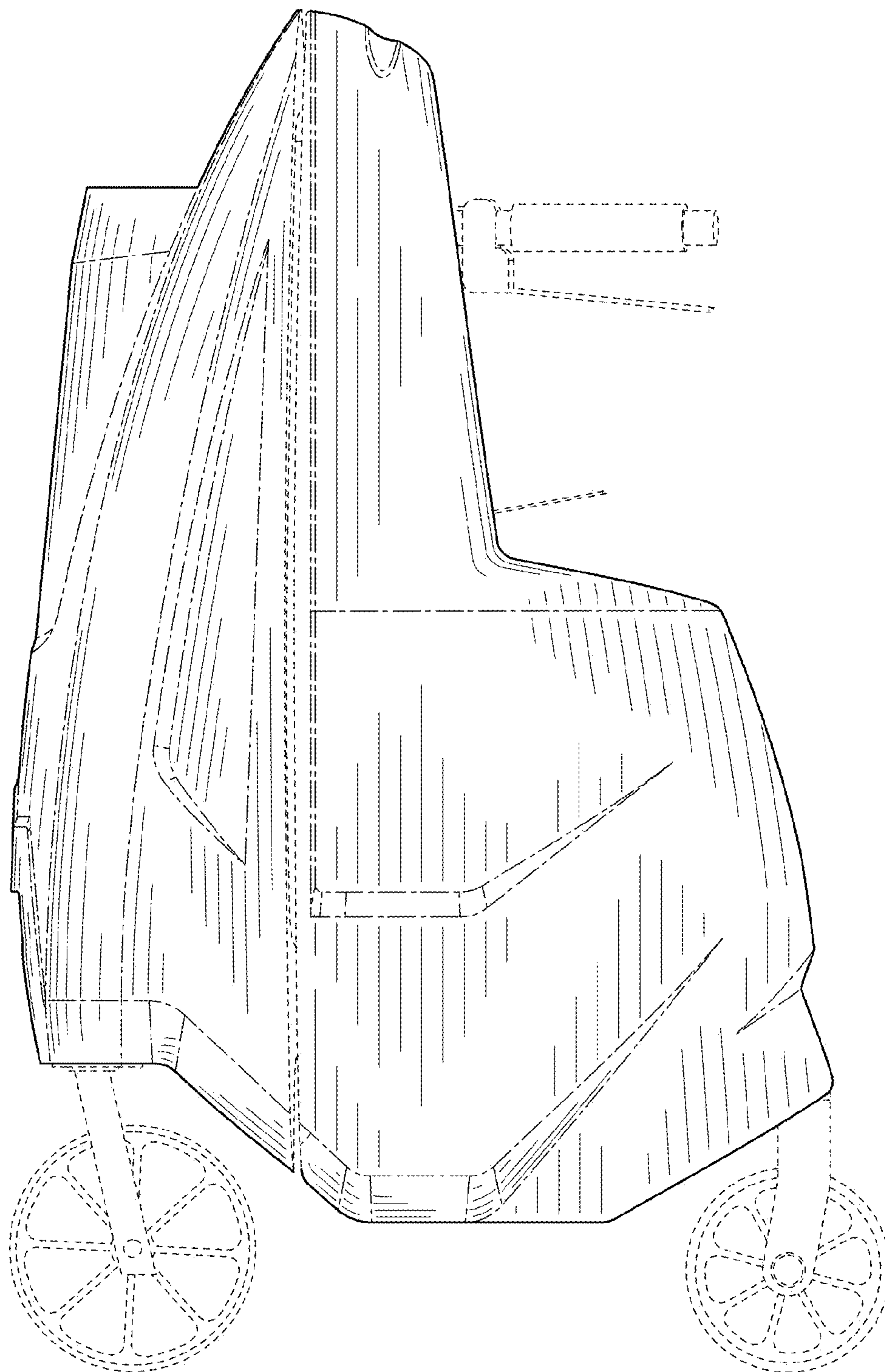


FIG. 5

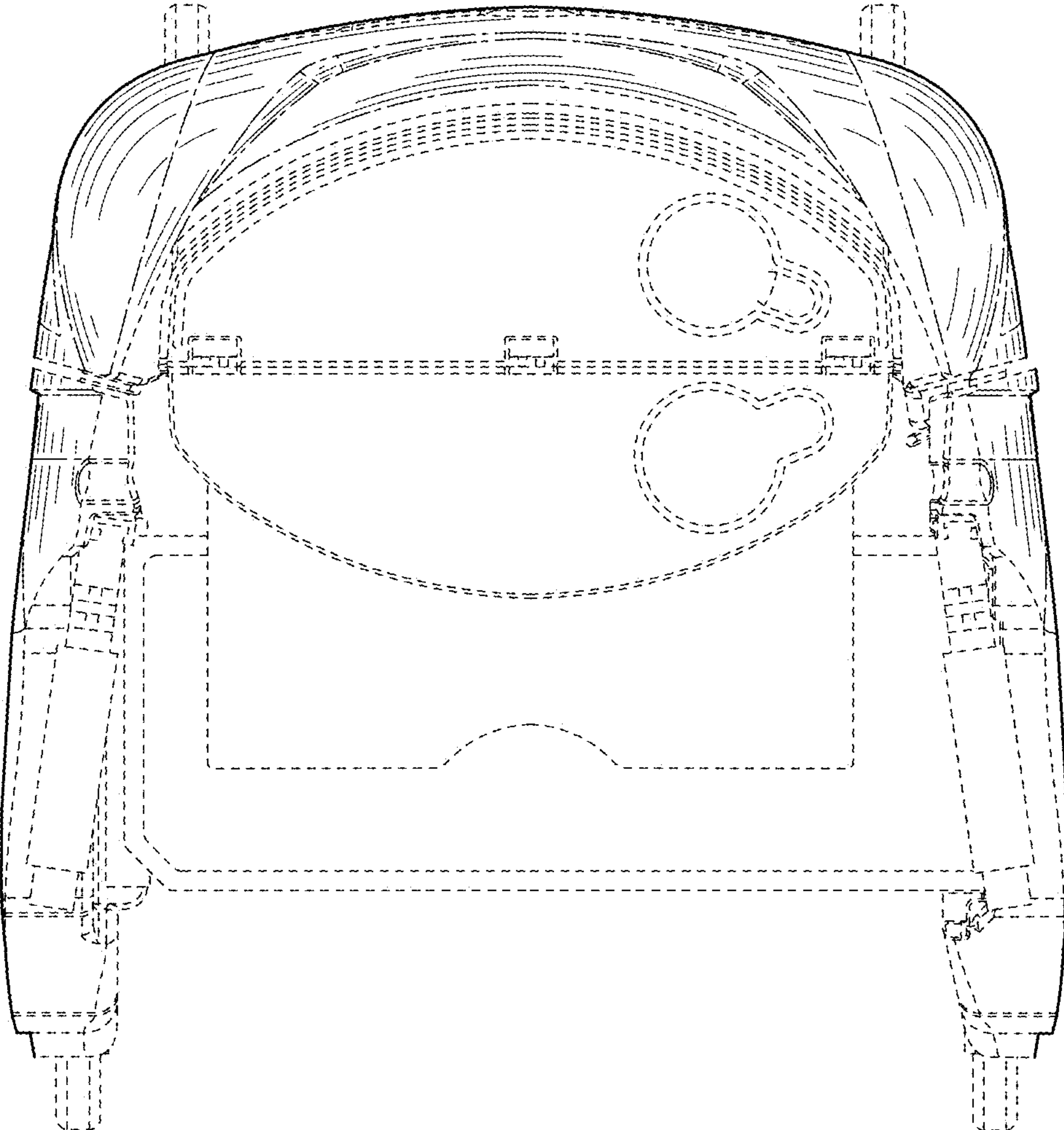


FIG. 6



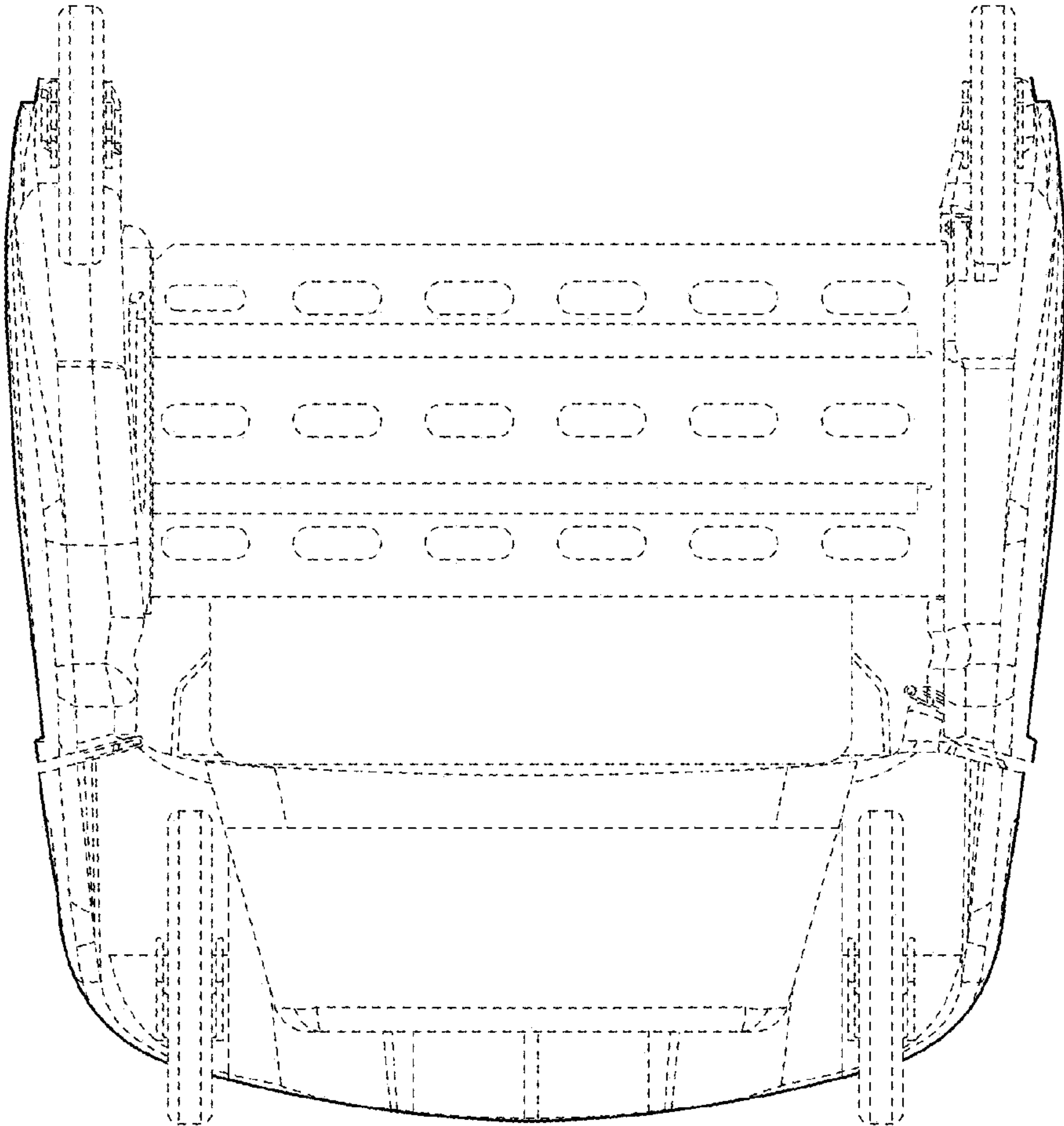


FIG. 7

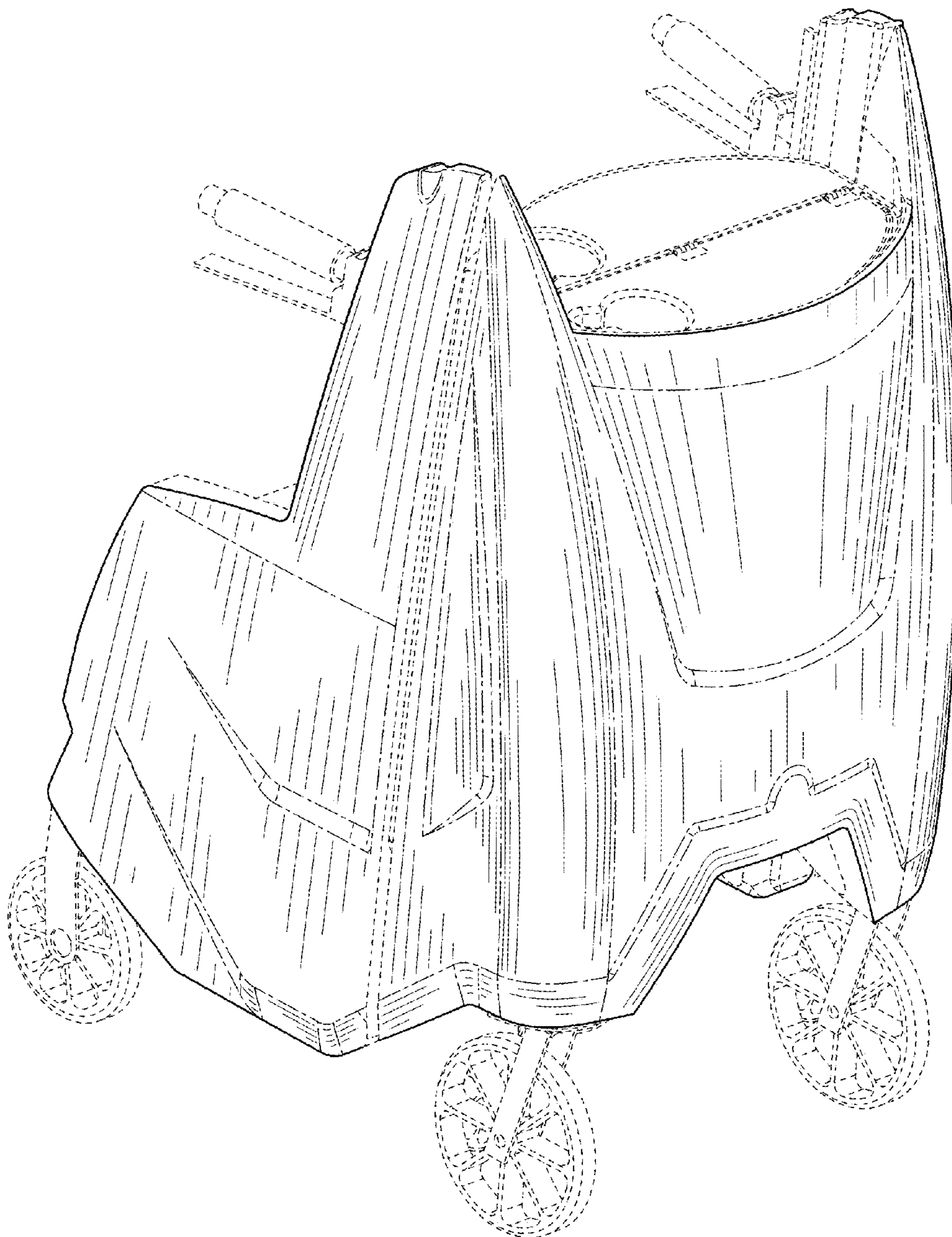


FIG. 8

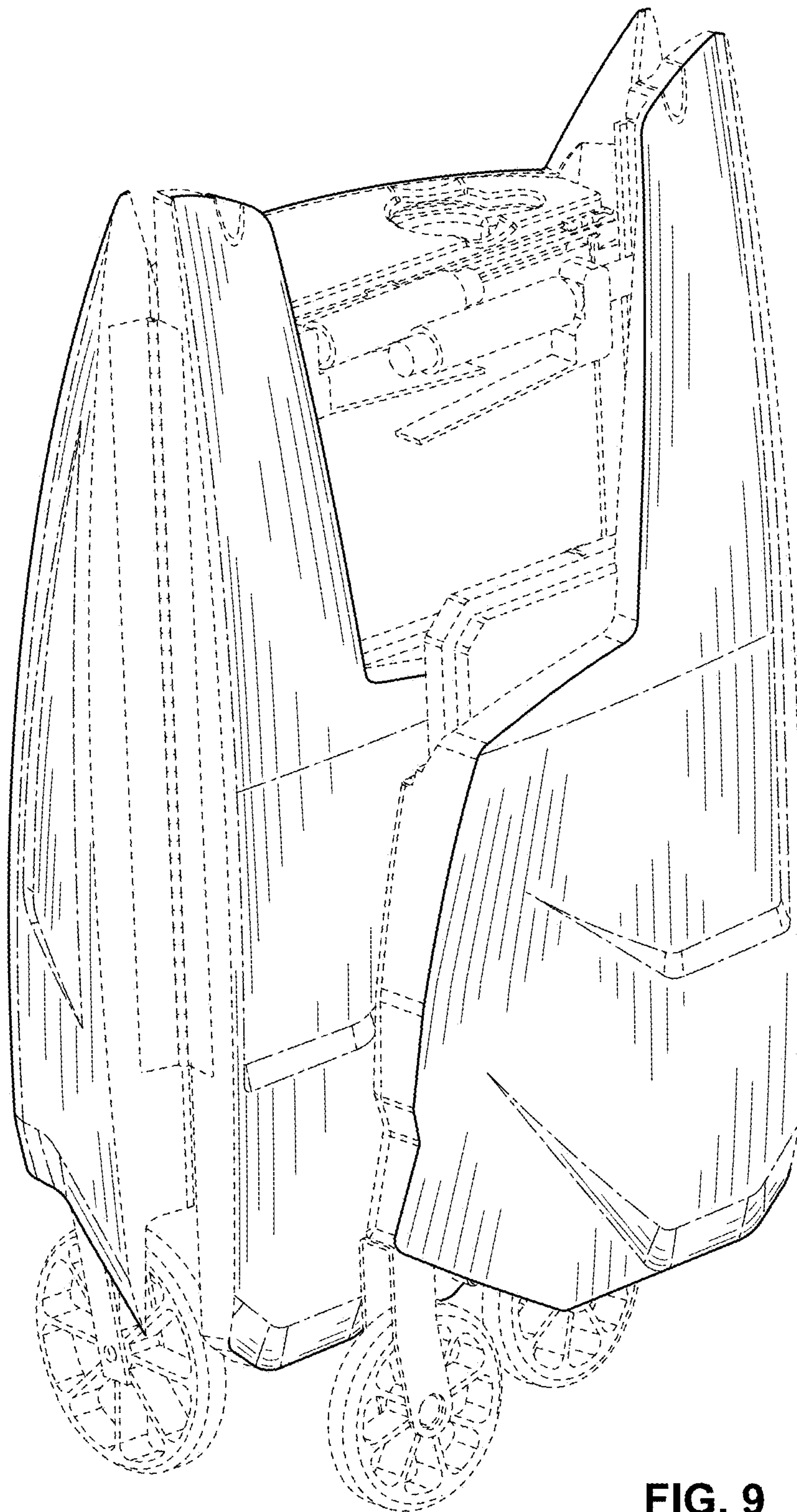


FIG. 9



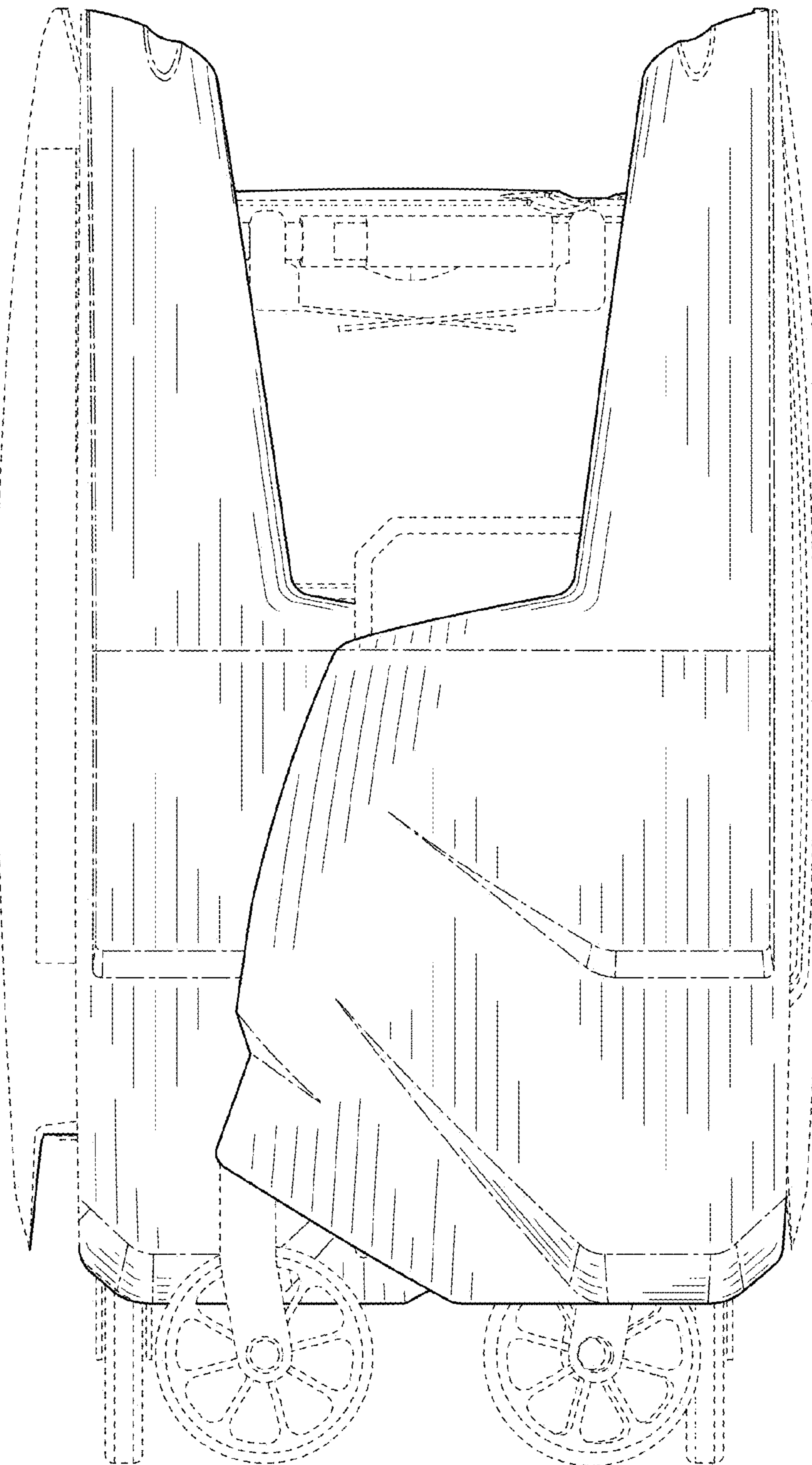


FIG. 10

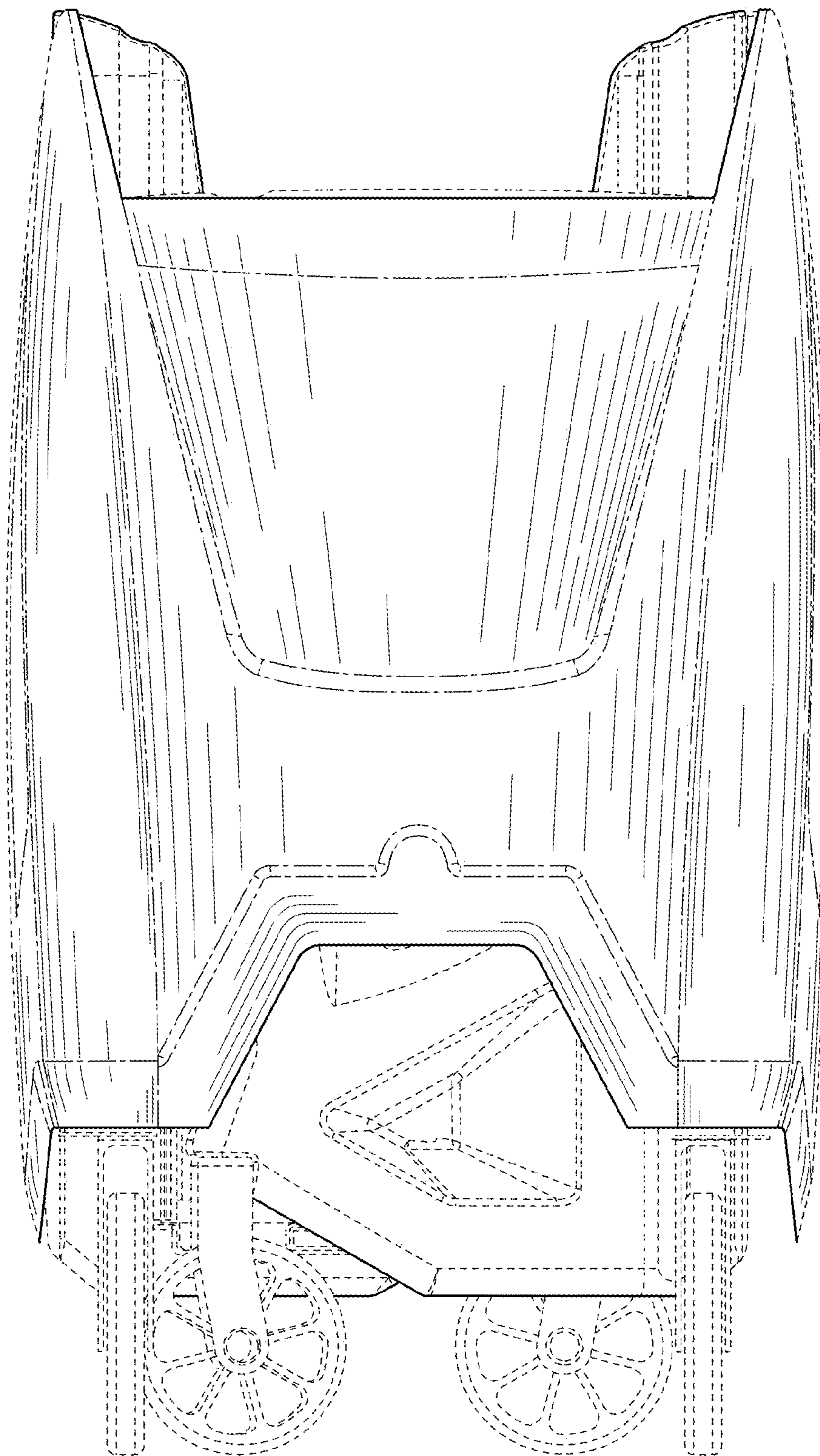


FIG. 11

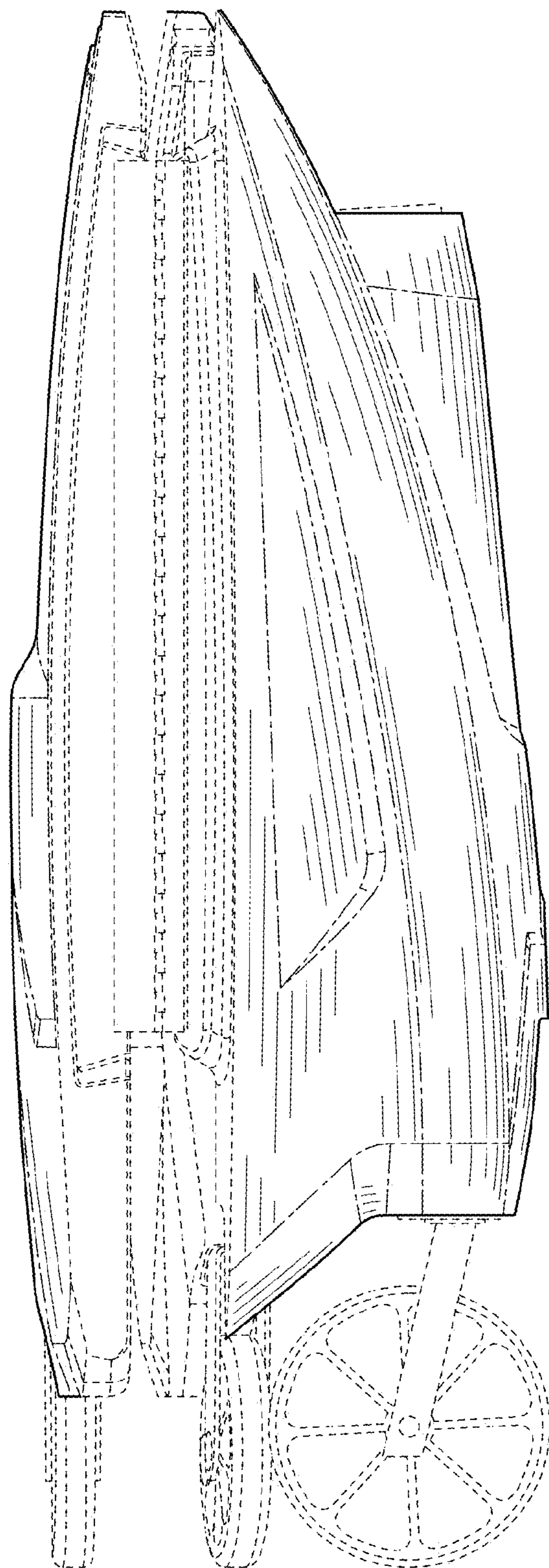


FIG. 12



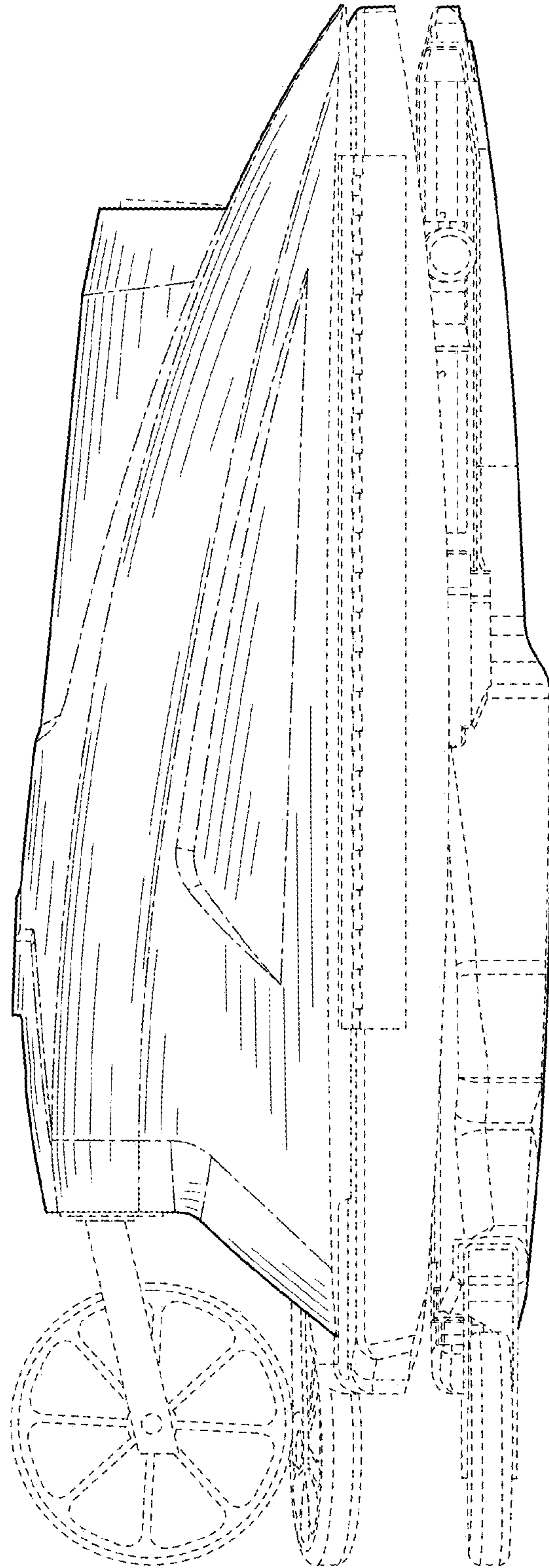


FIG. 13

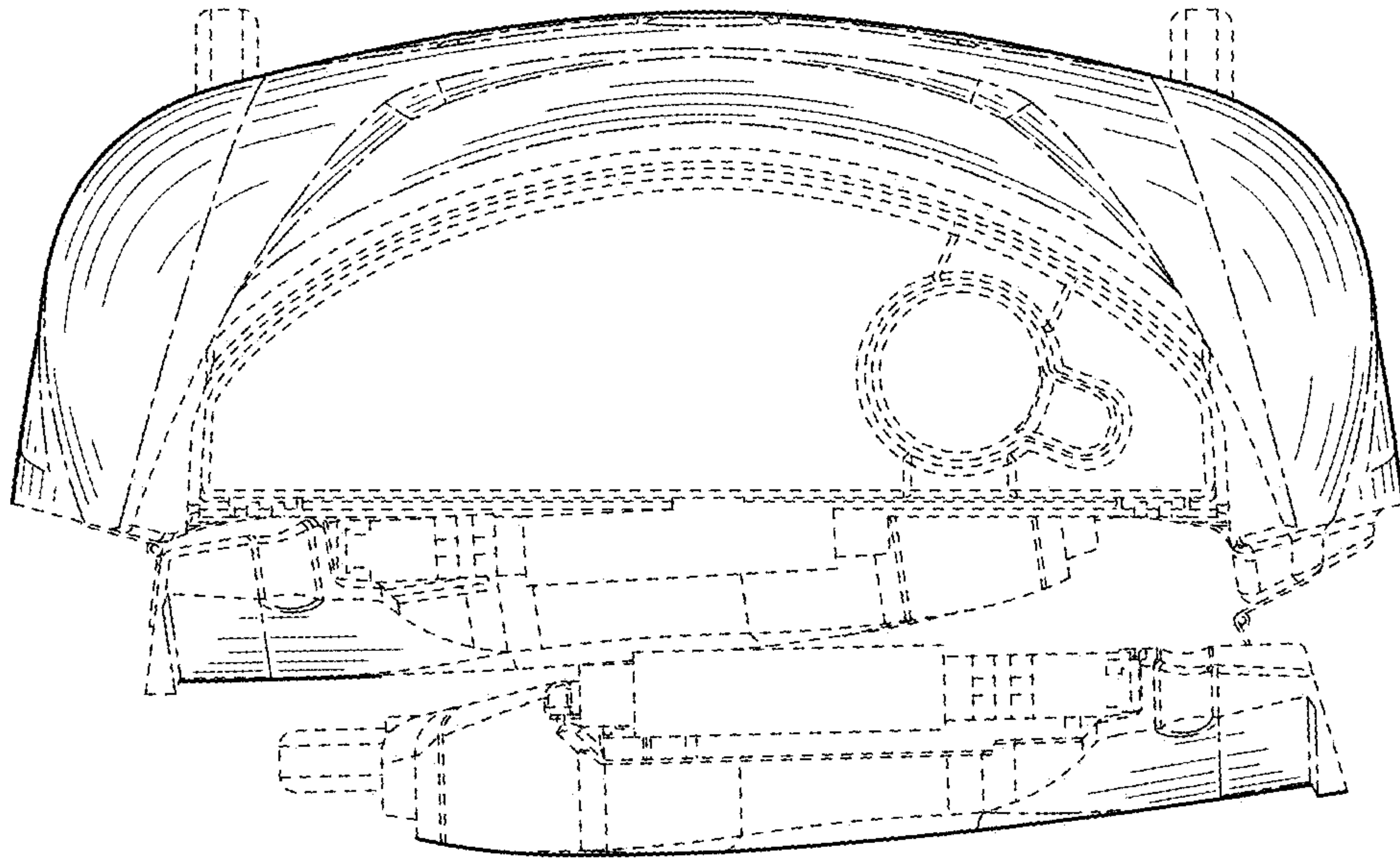


FIG. 14

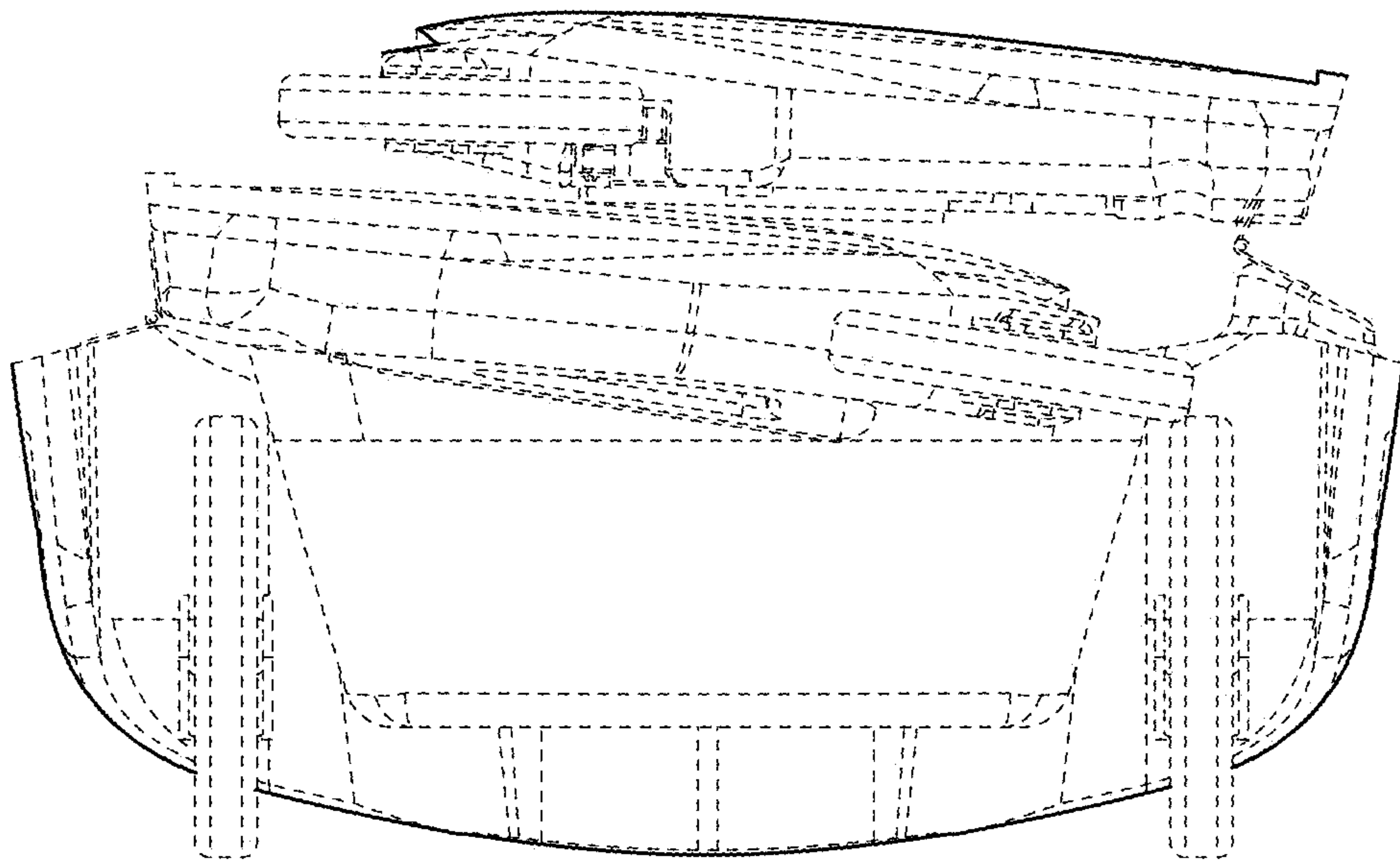


FIG. 15

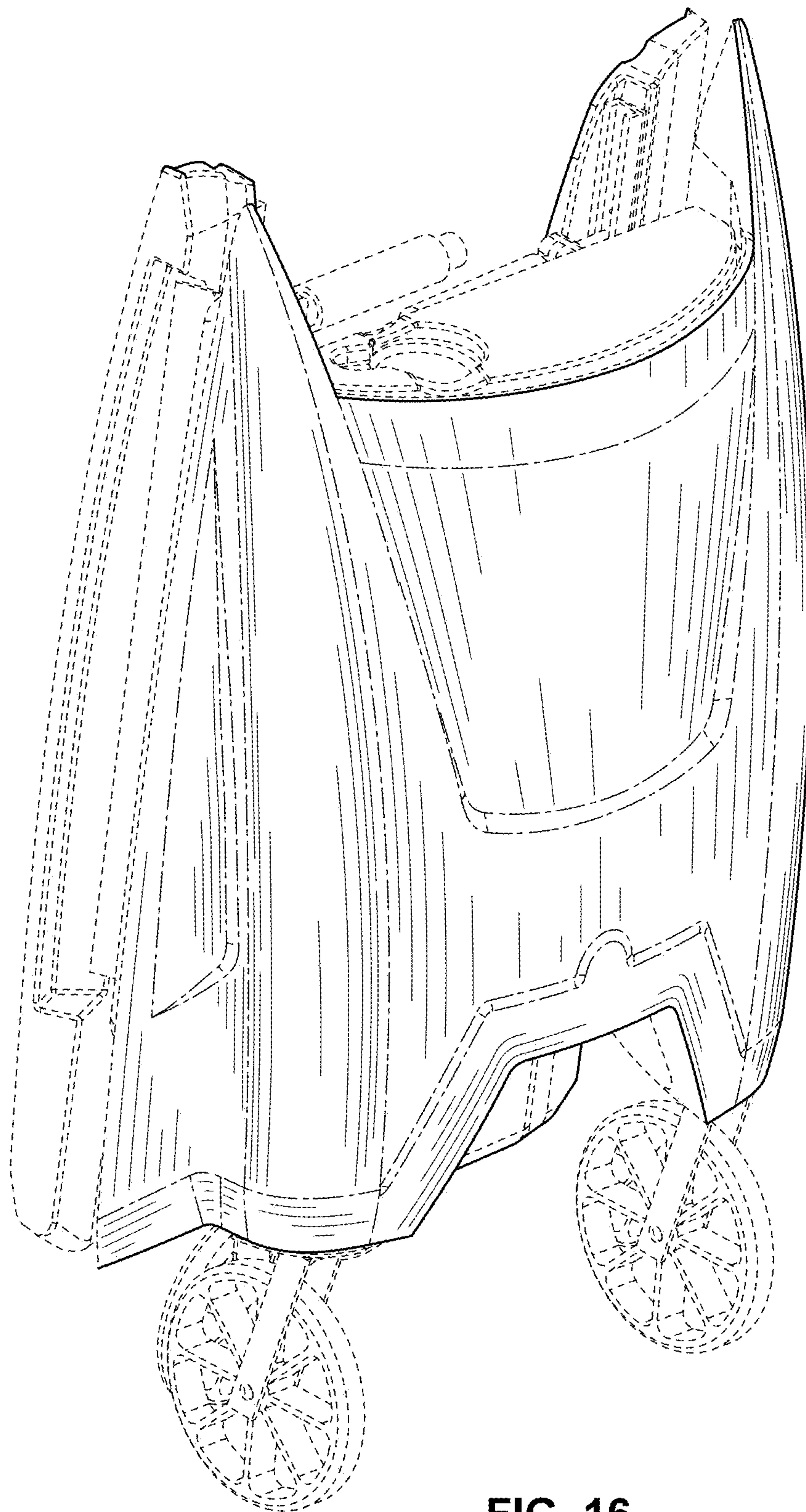


FIG. 16



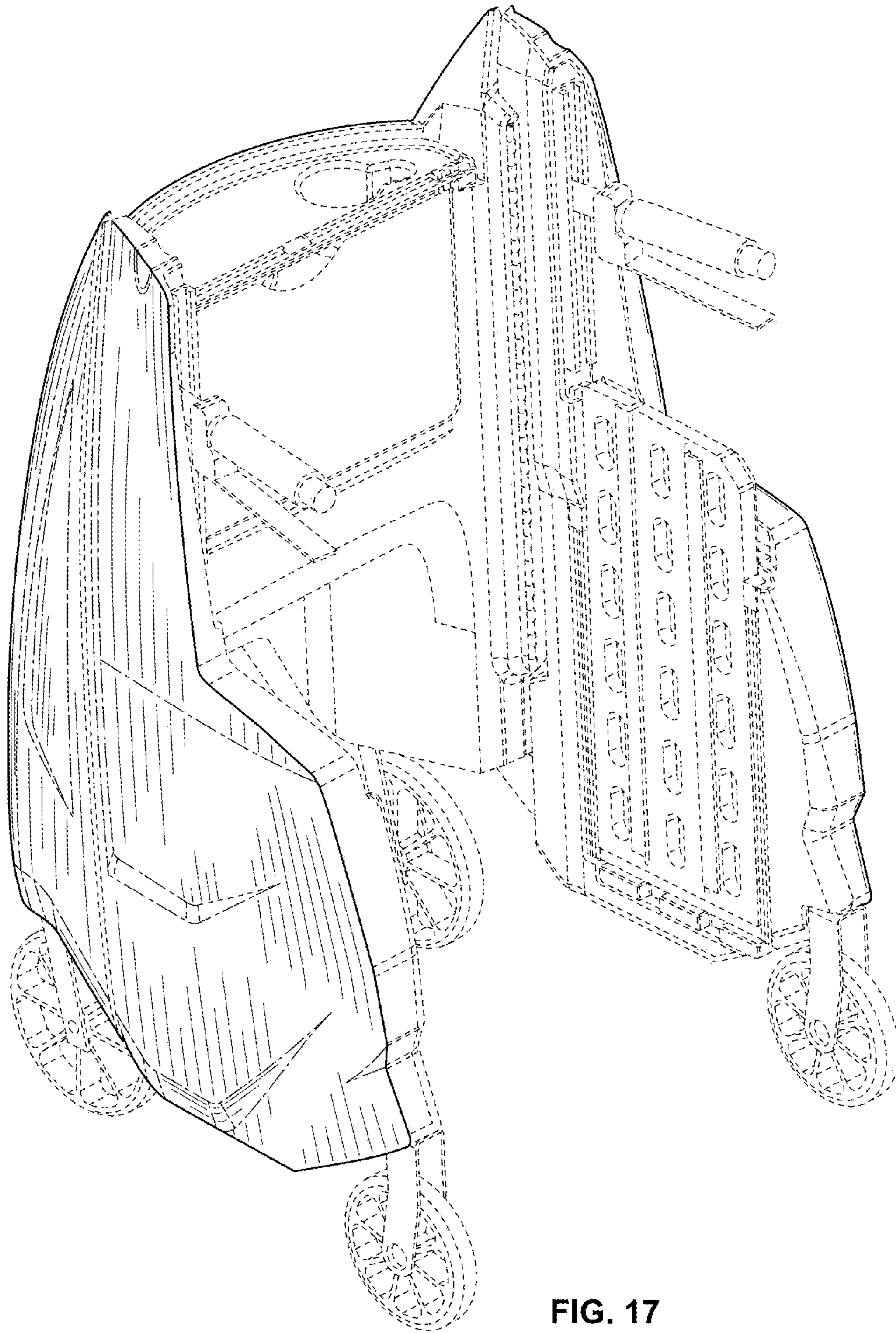


FIG. 17

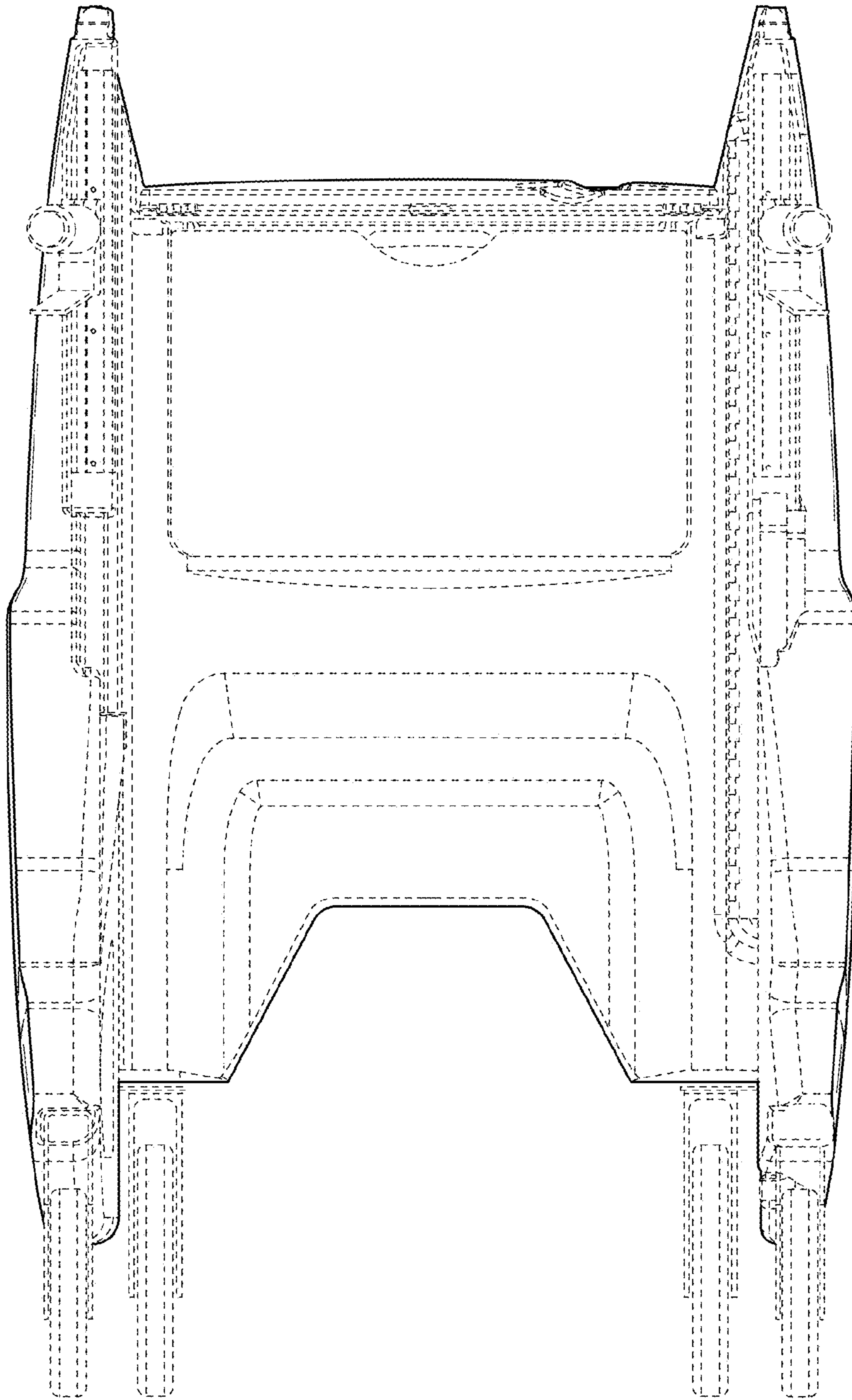


FIG. 18

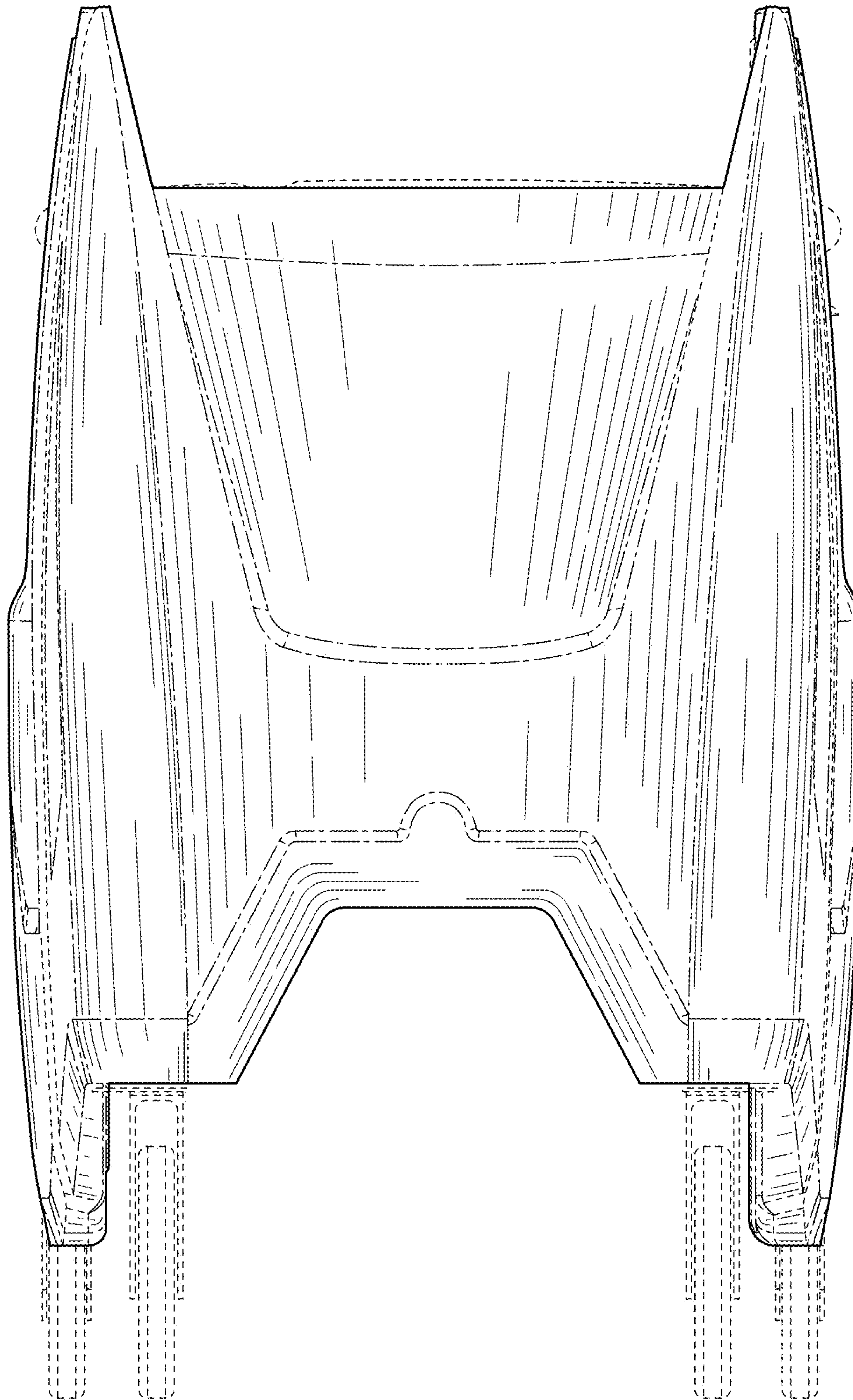


FIG. 19



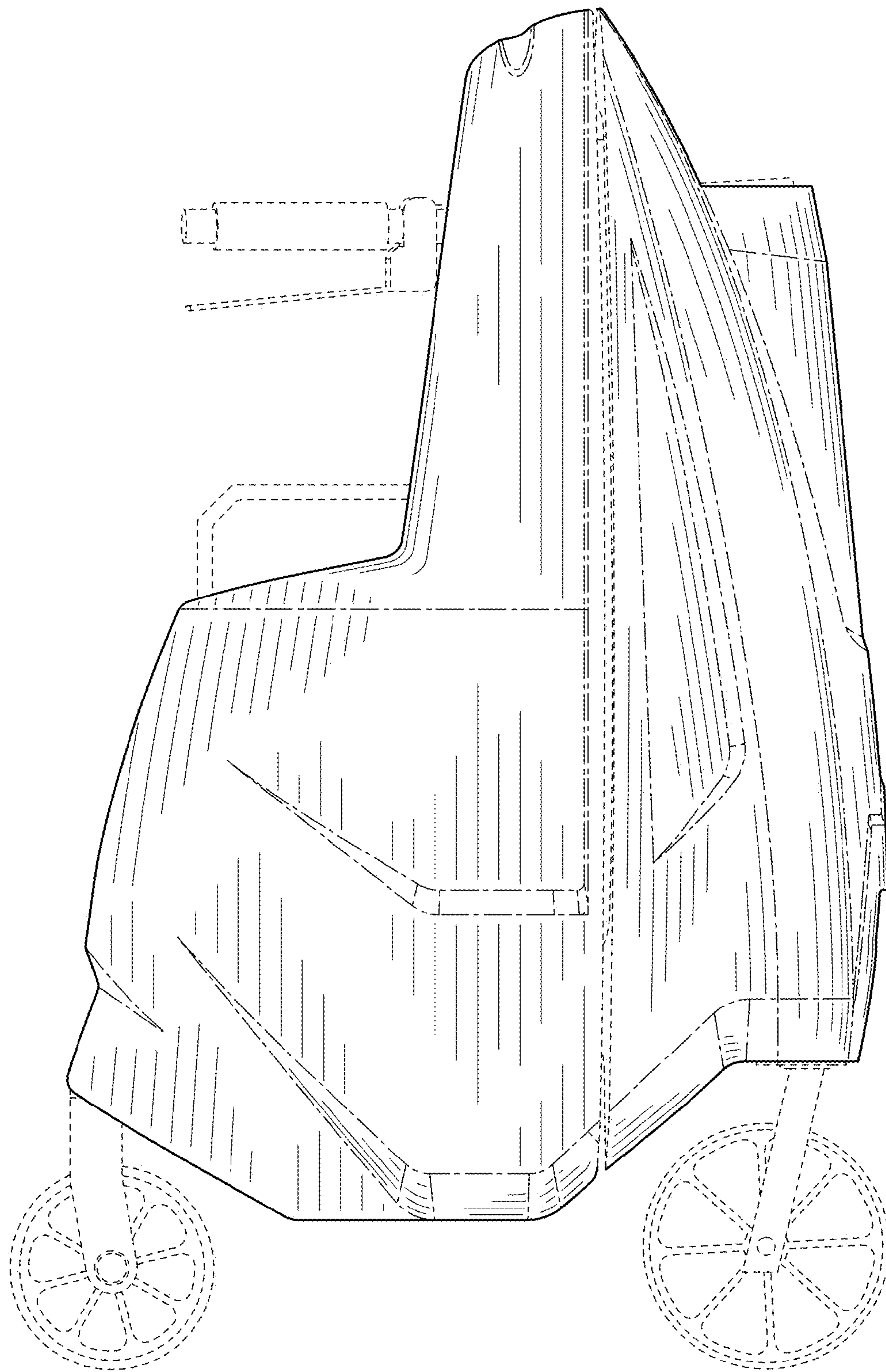


FIG. 20

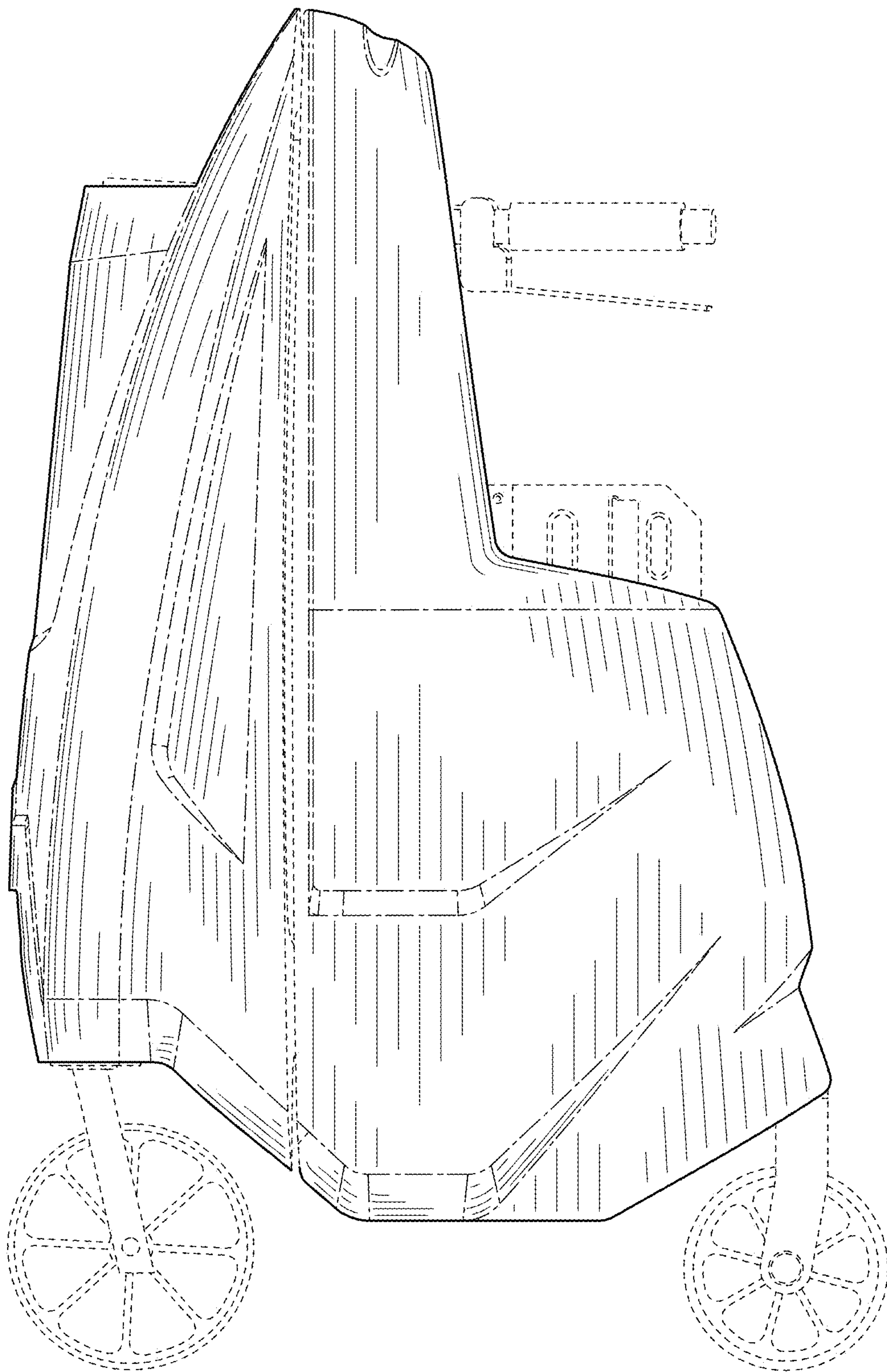


FIG. 21

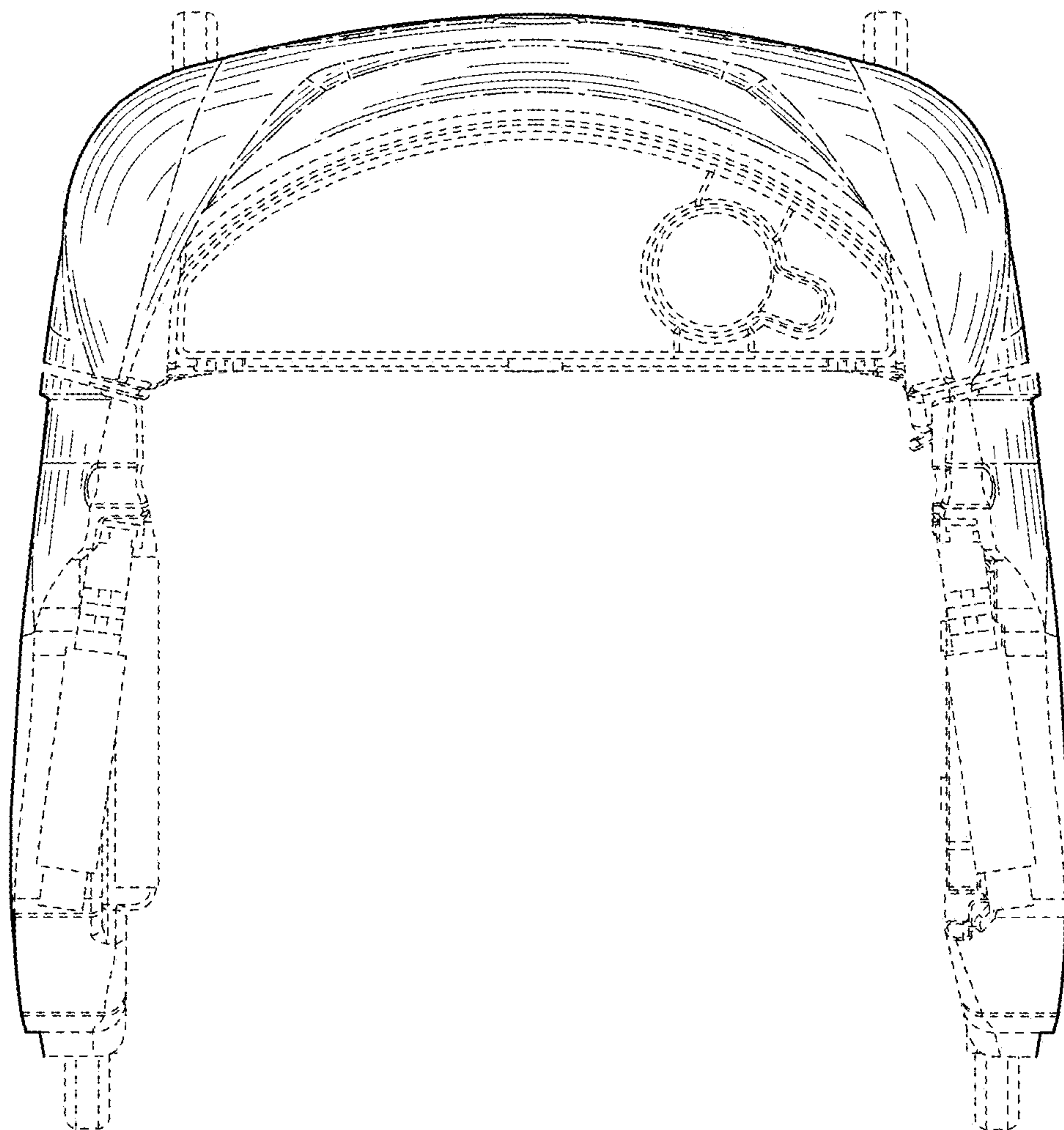


FIG. 22



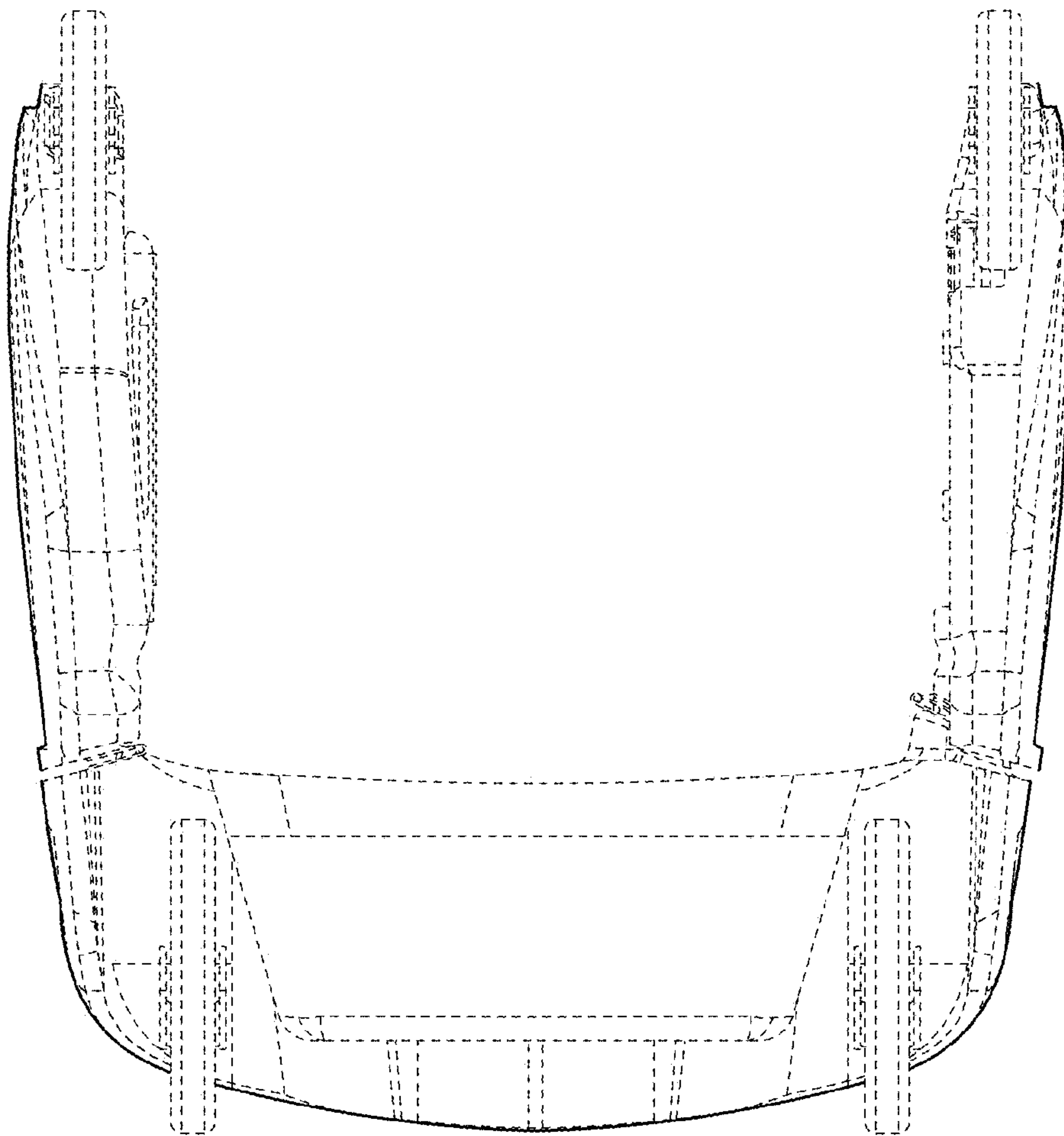


FIG. 23

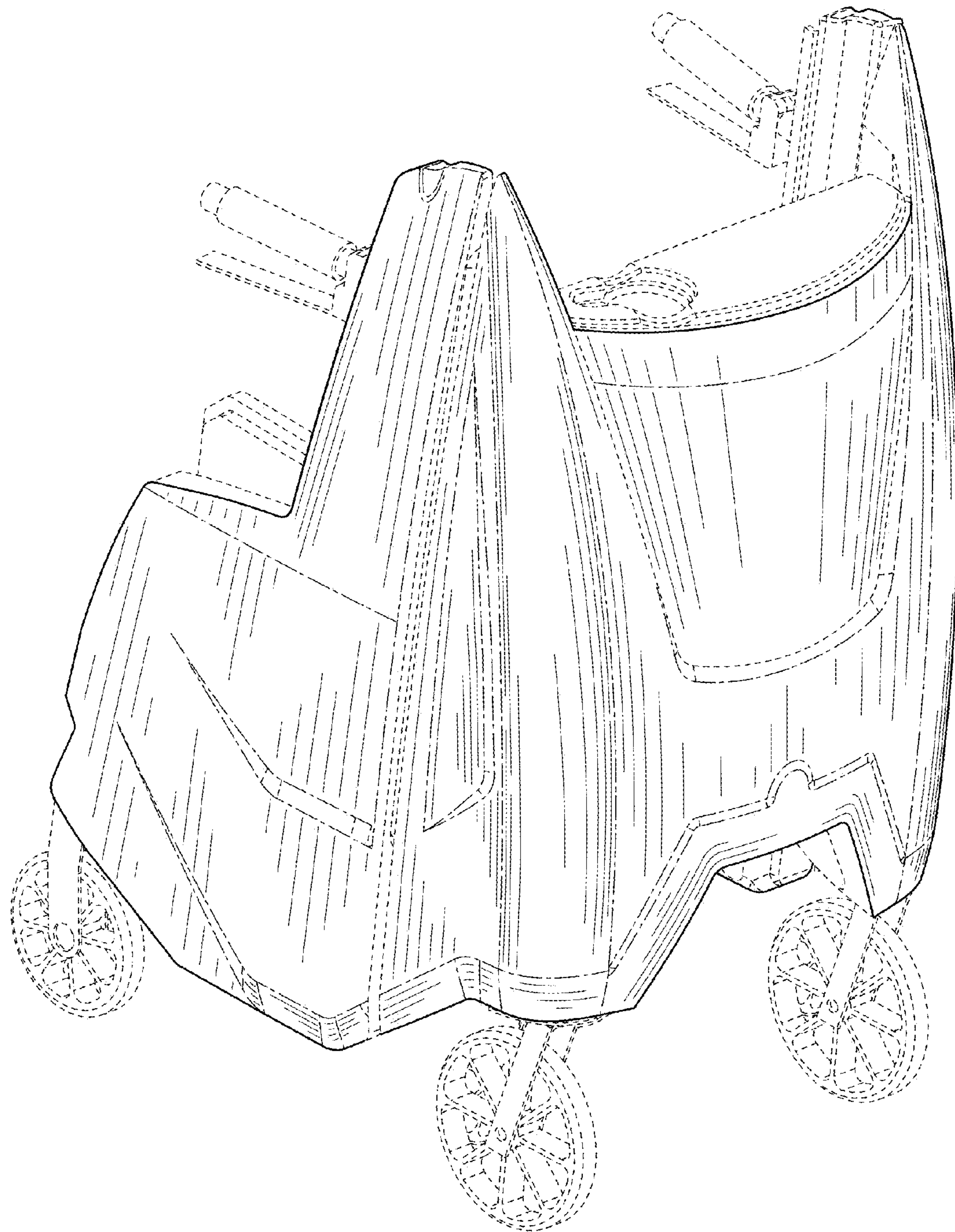


FIG. 24

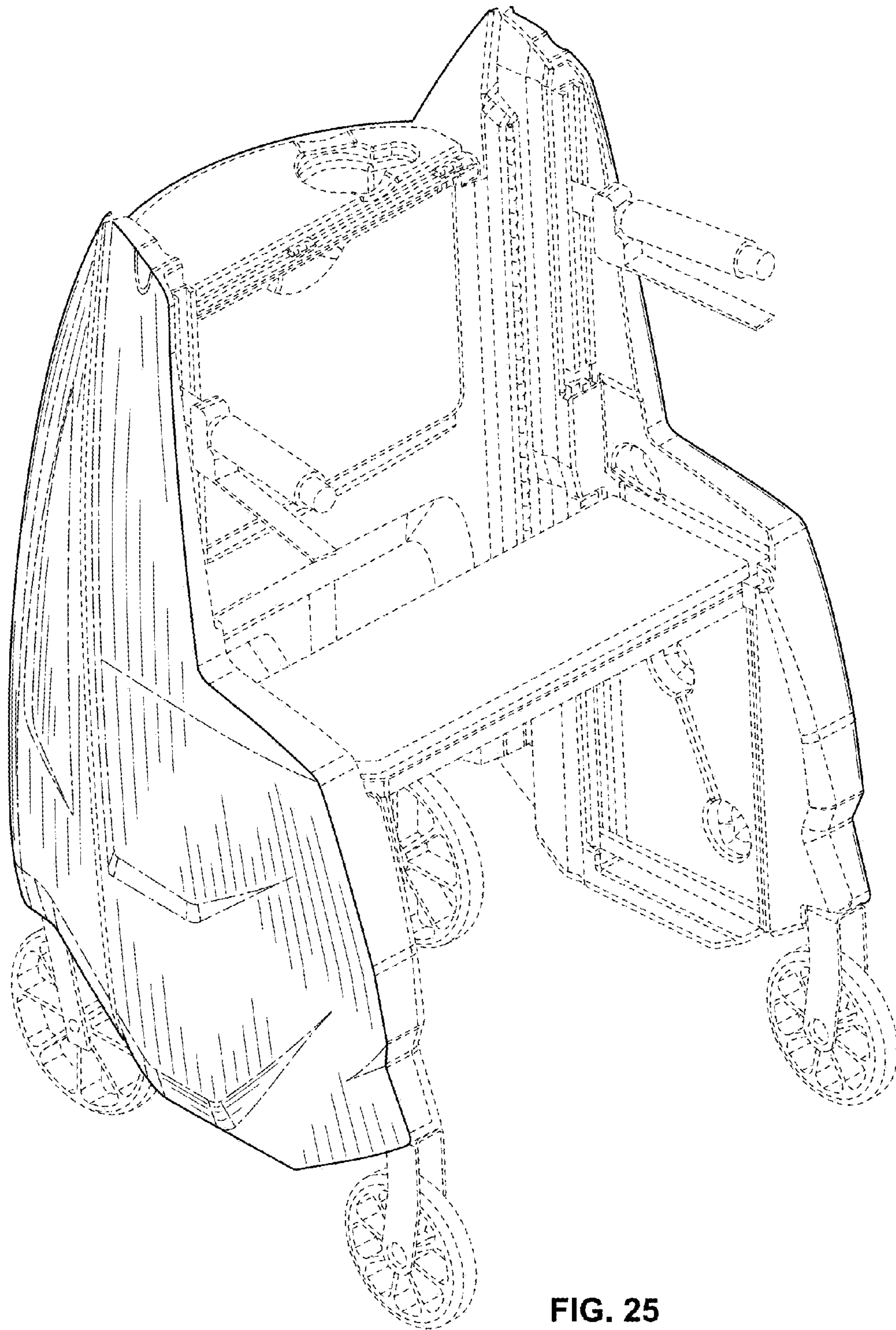


FIG. 25



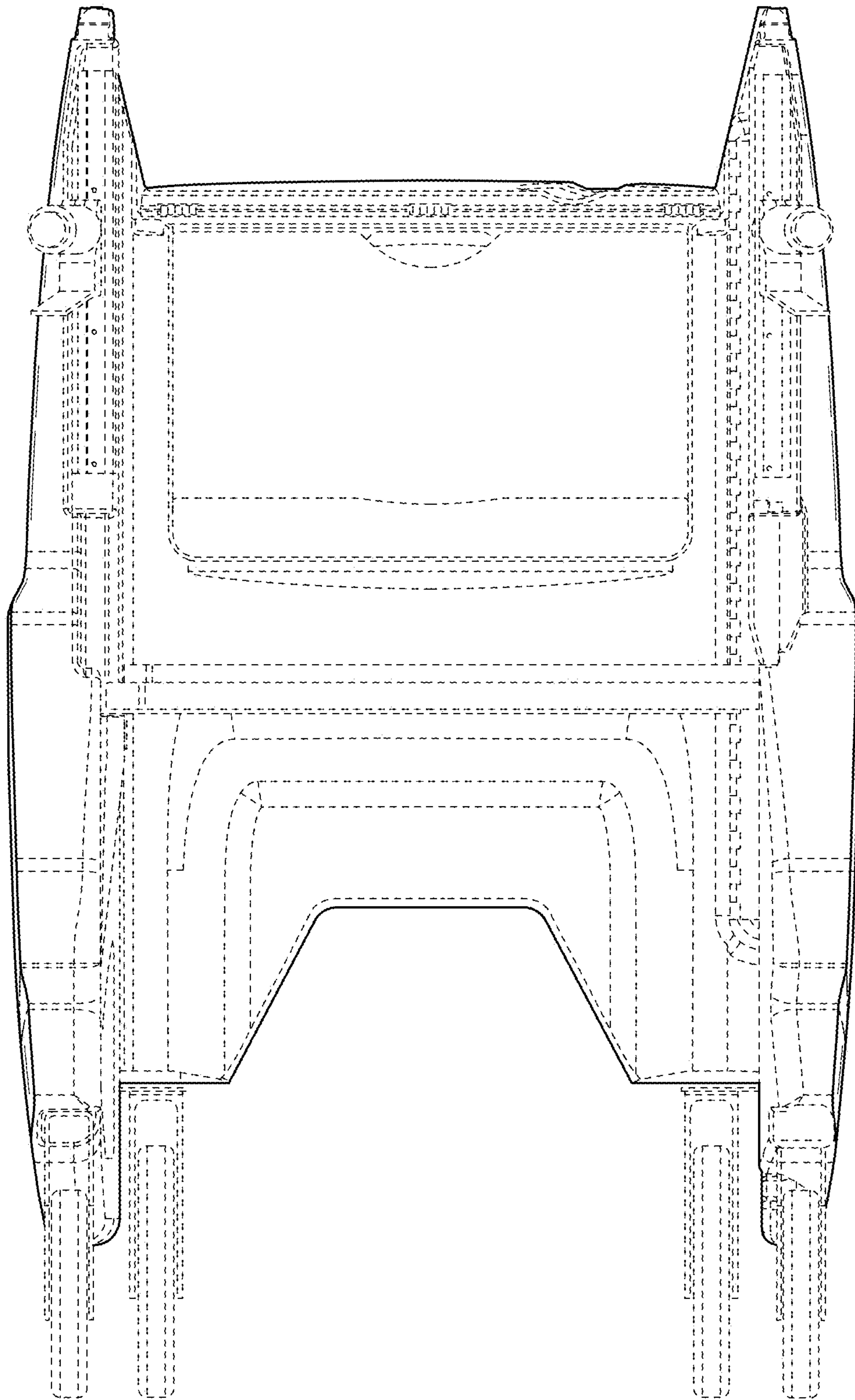


FIG. 26

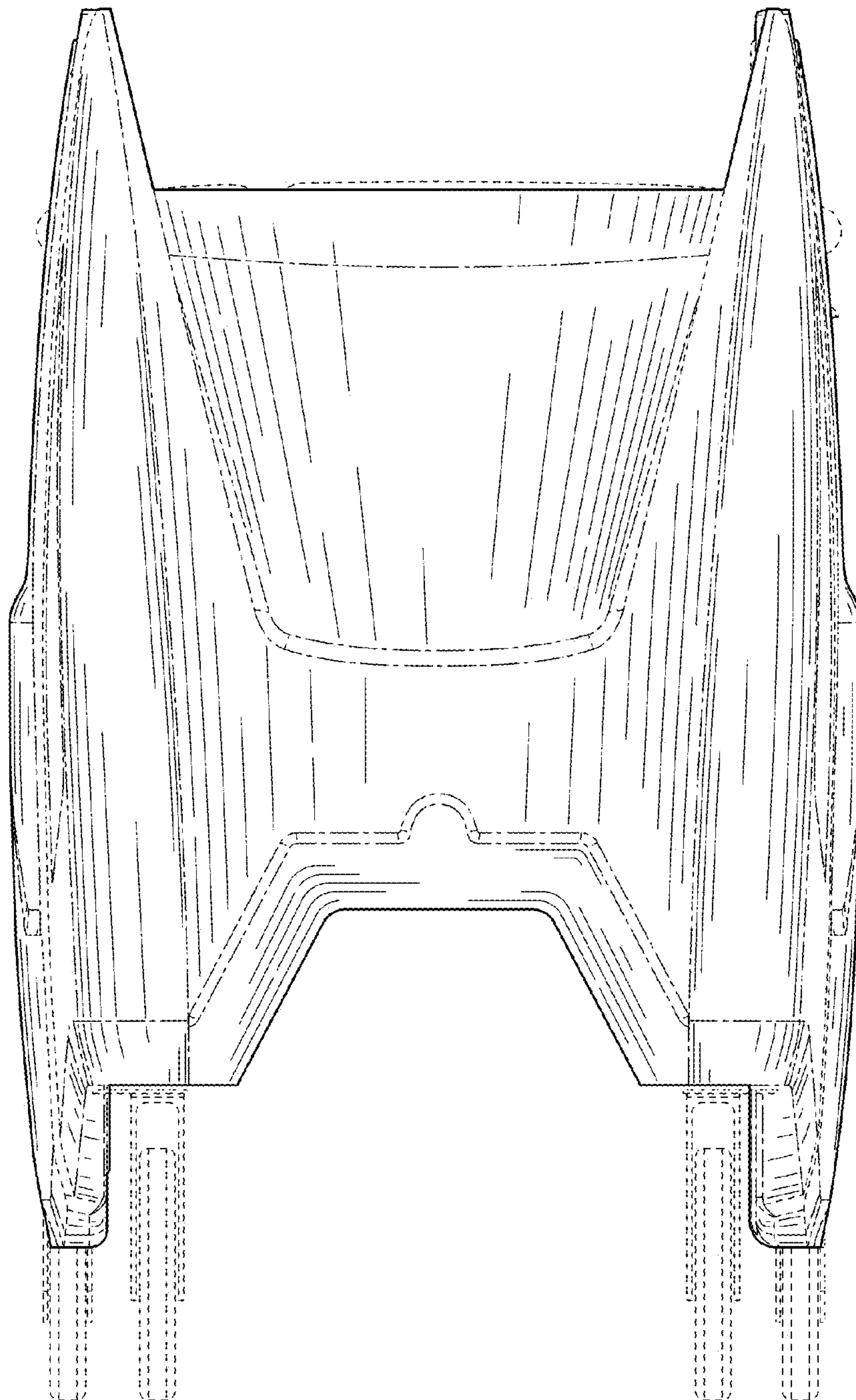


FIG. 27

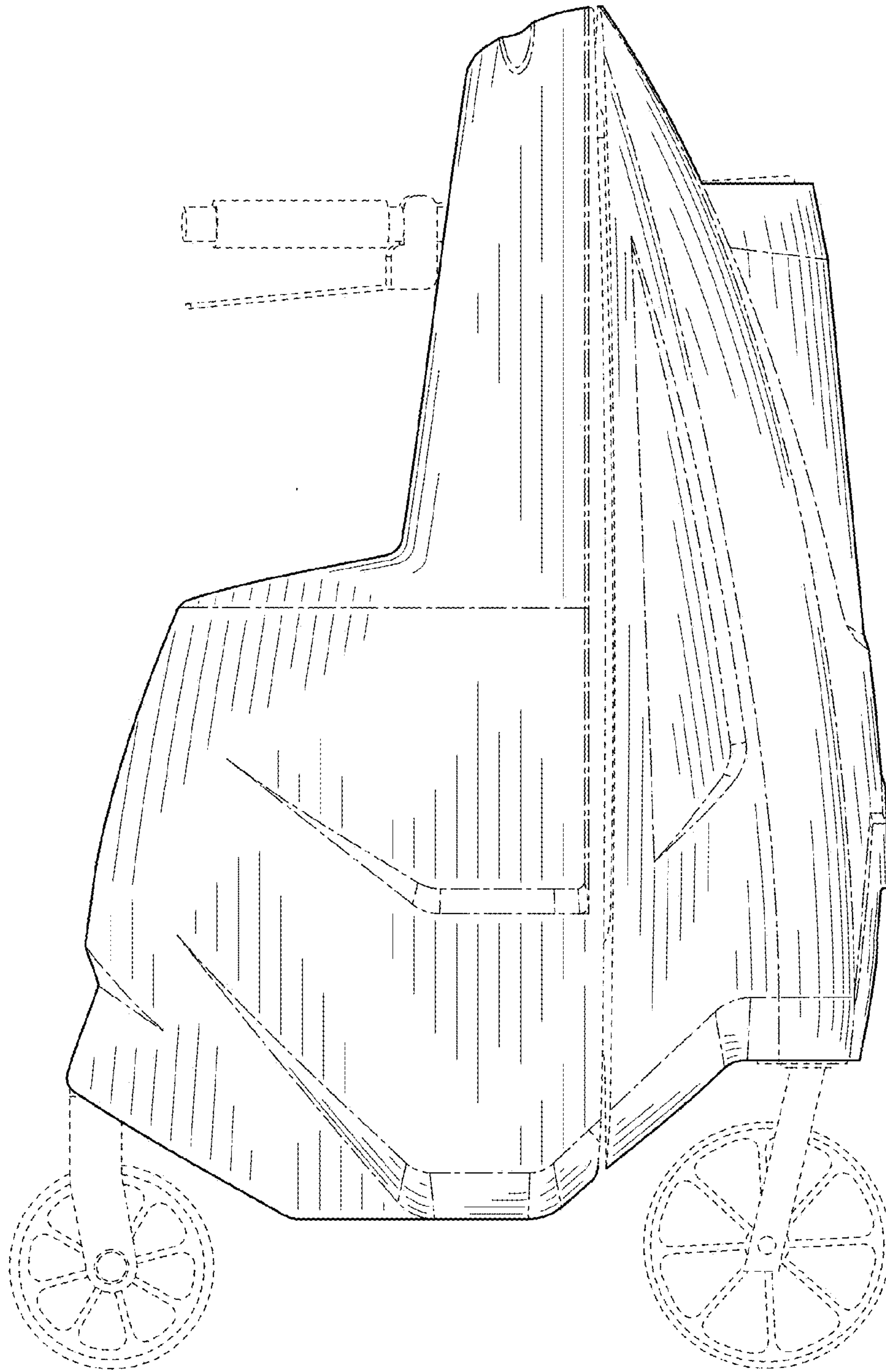


FIG. 28



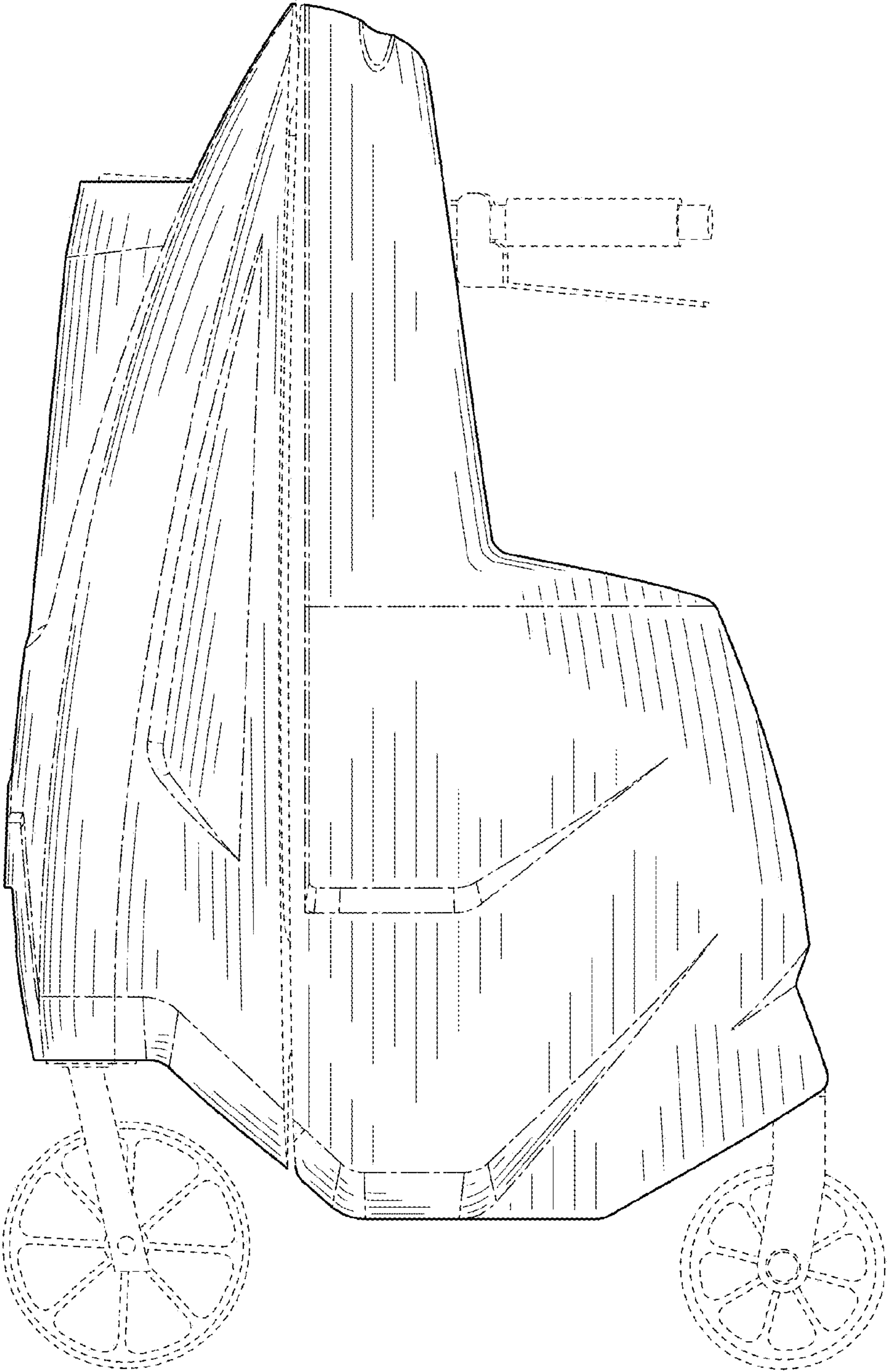


FIG. 29

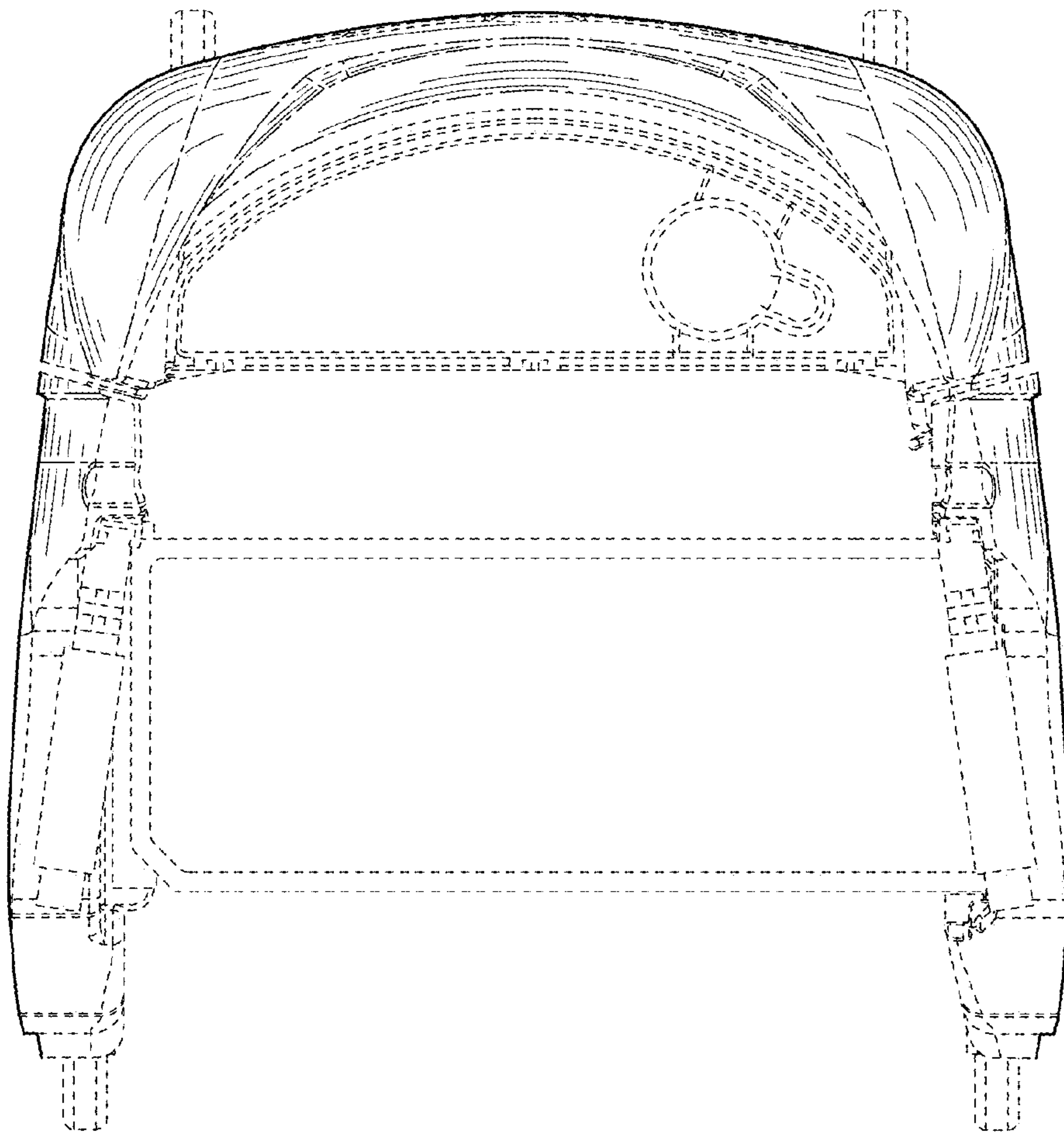


FIG. 30

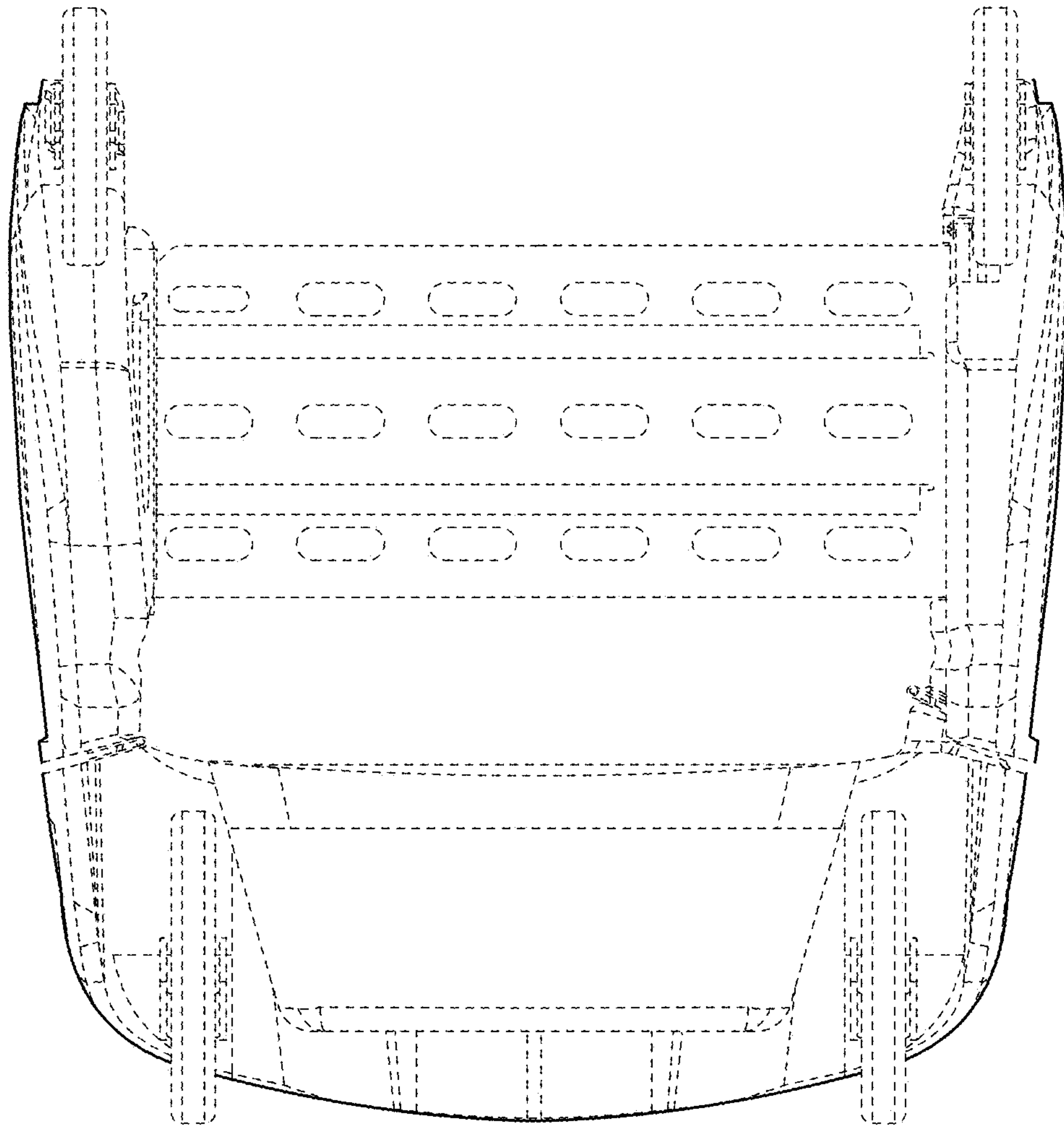


FIG. 31



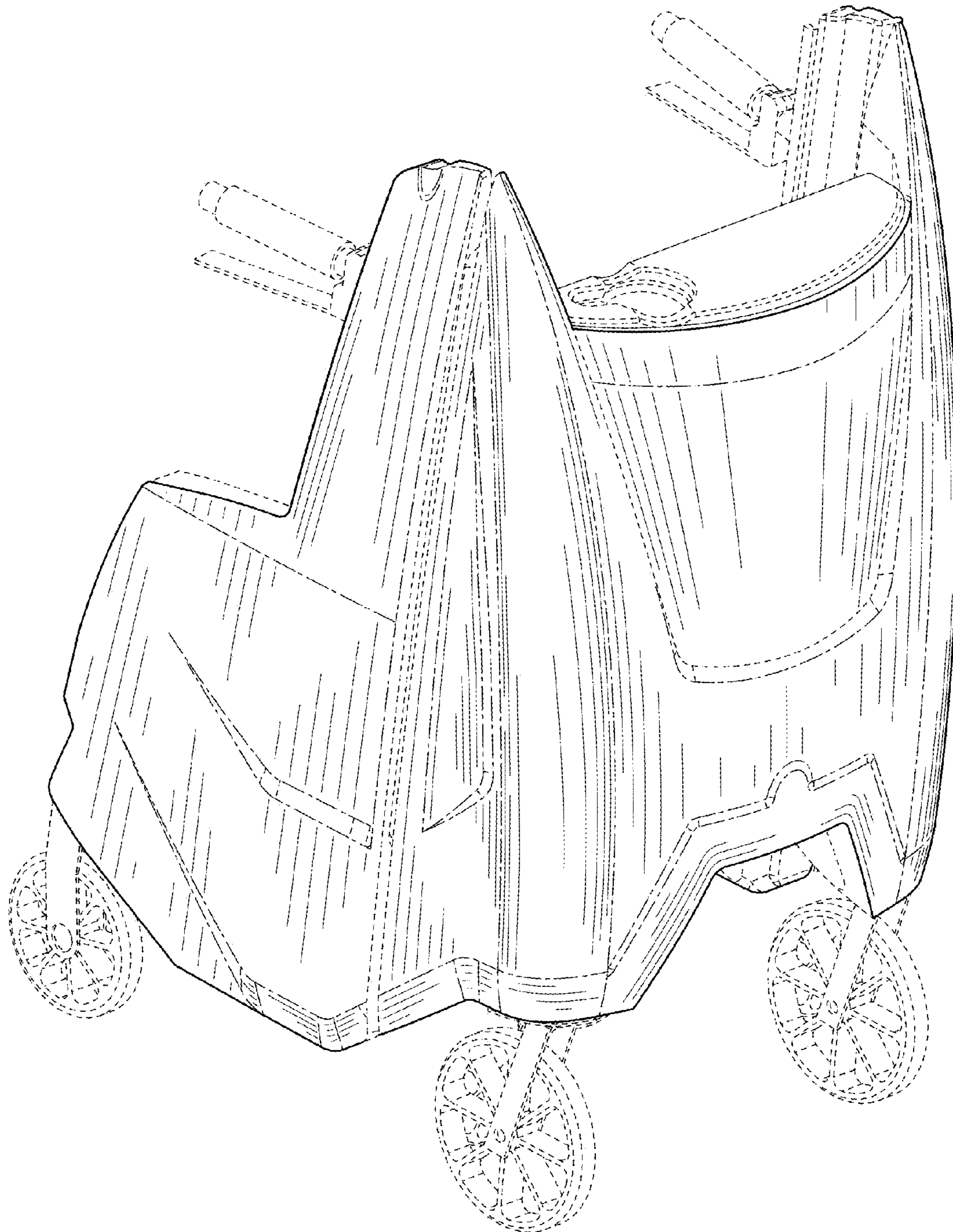


FIG. 32

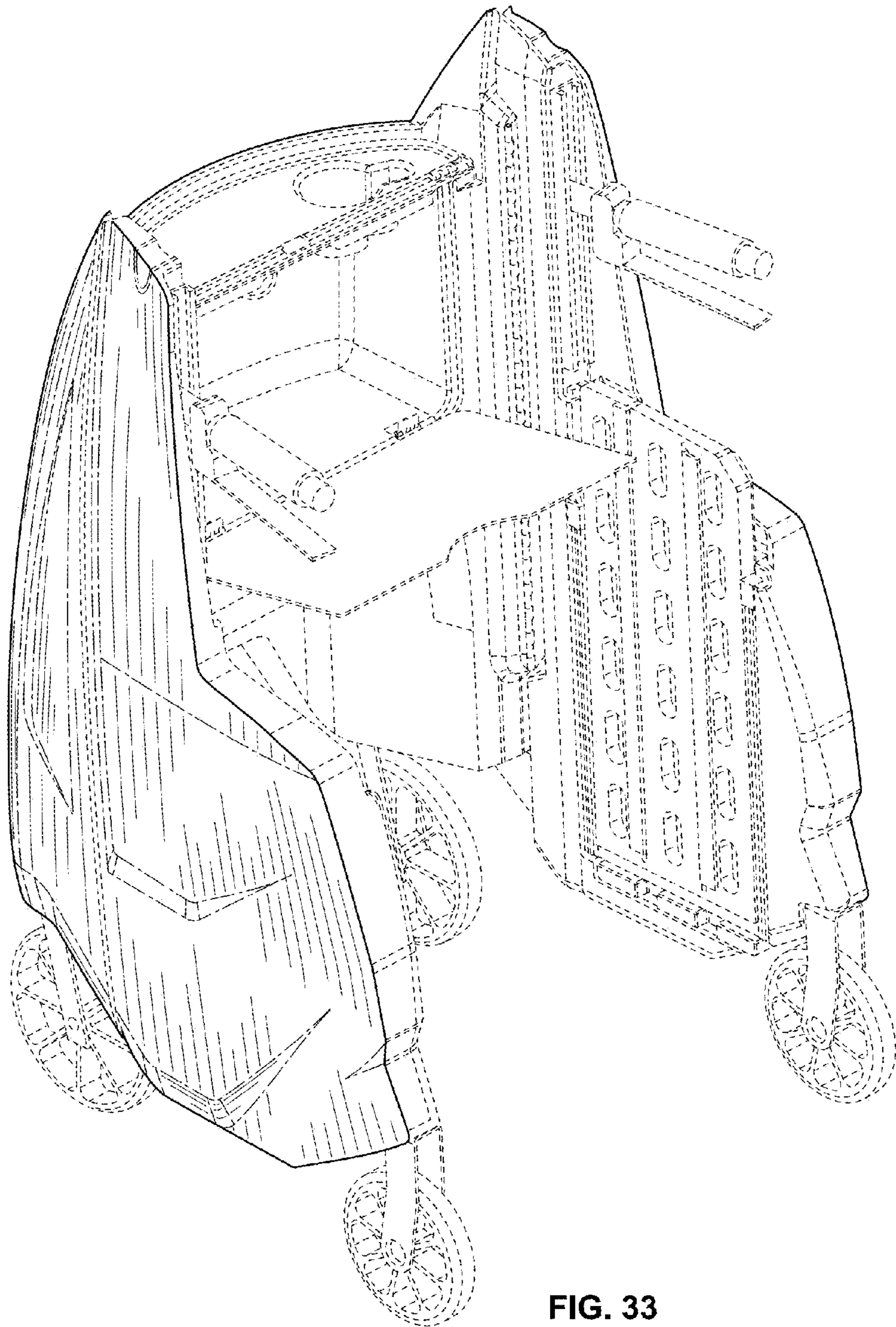


FIG. 33

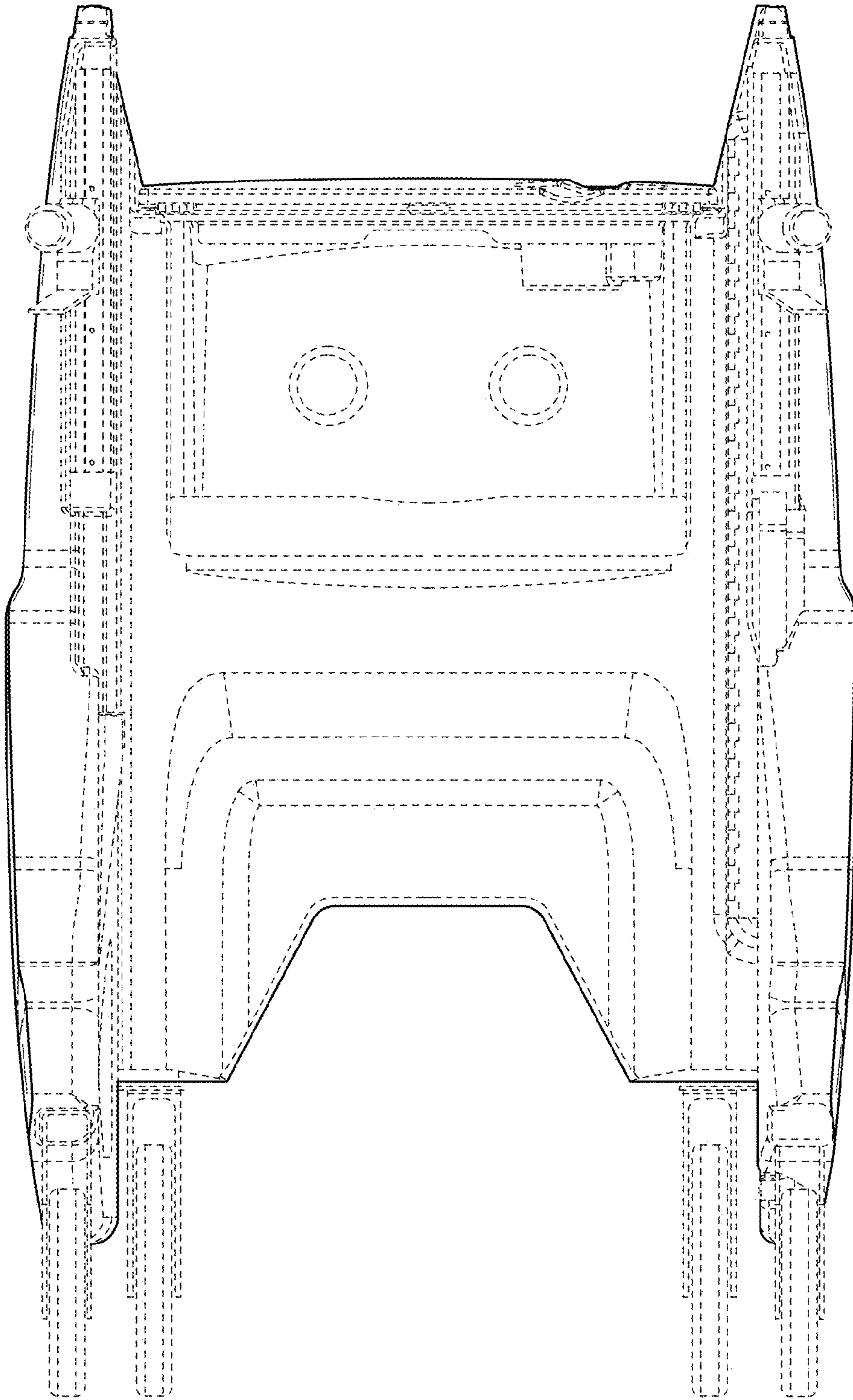


FIG. 34



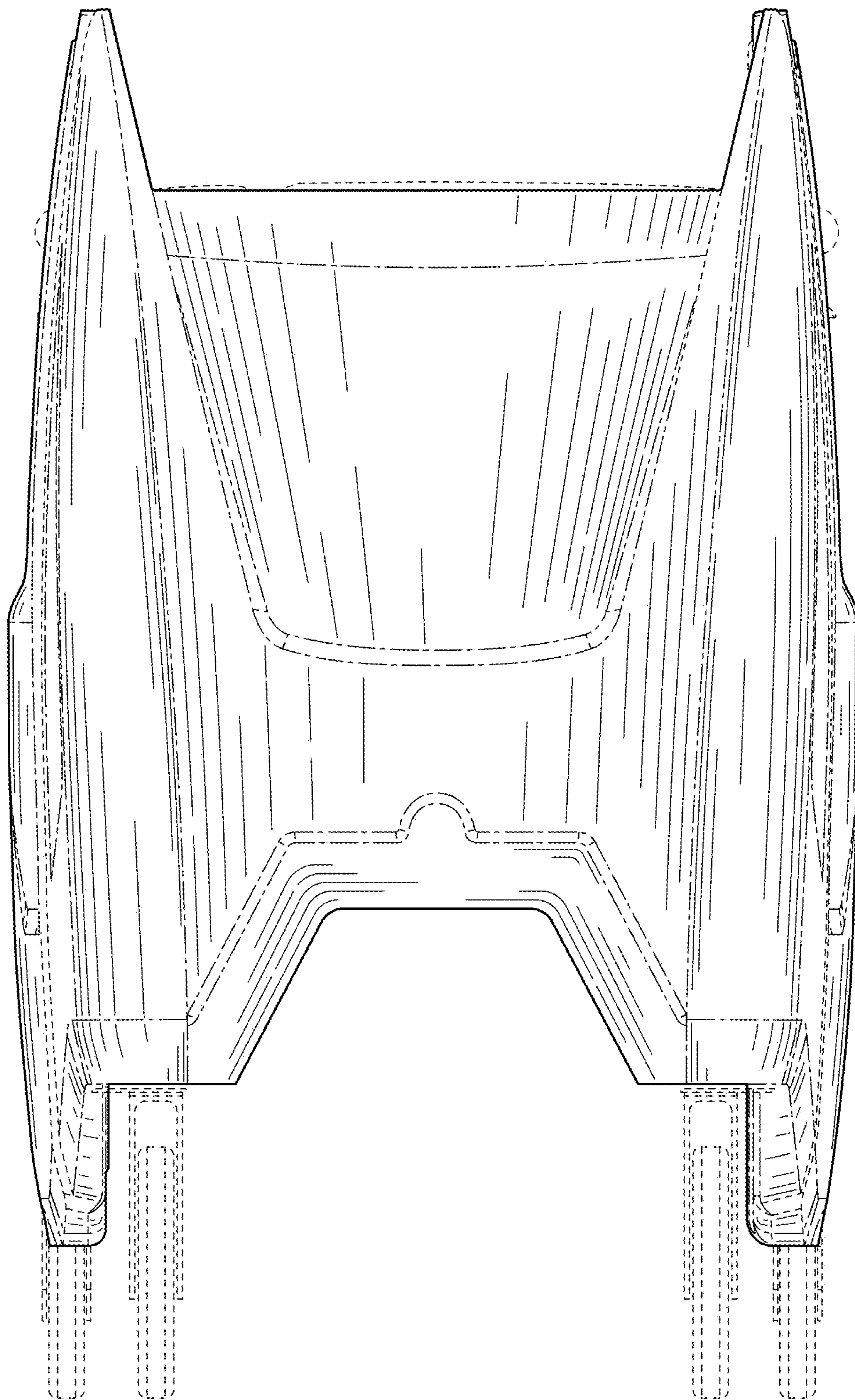


FIG. 35

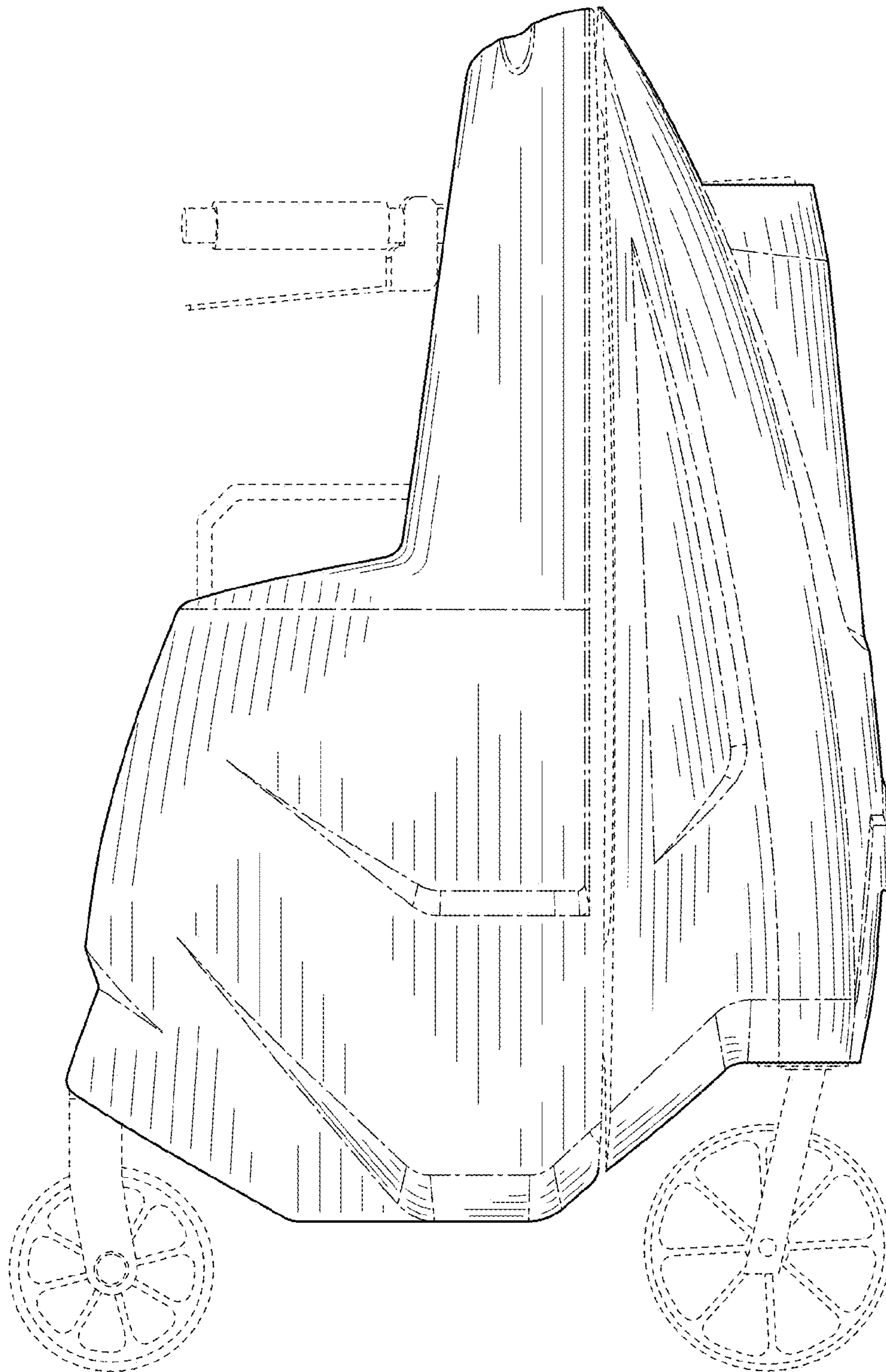


FIG. 36

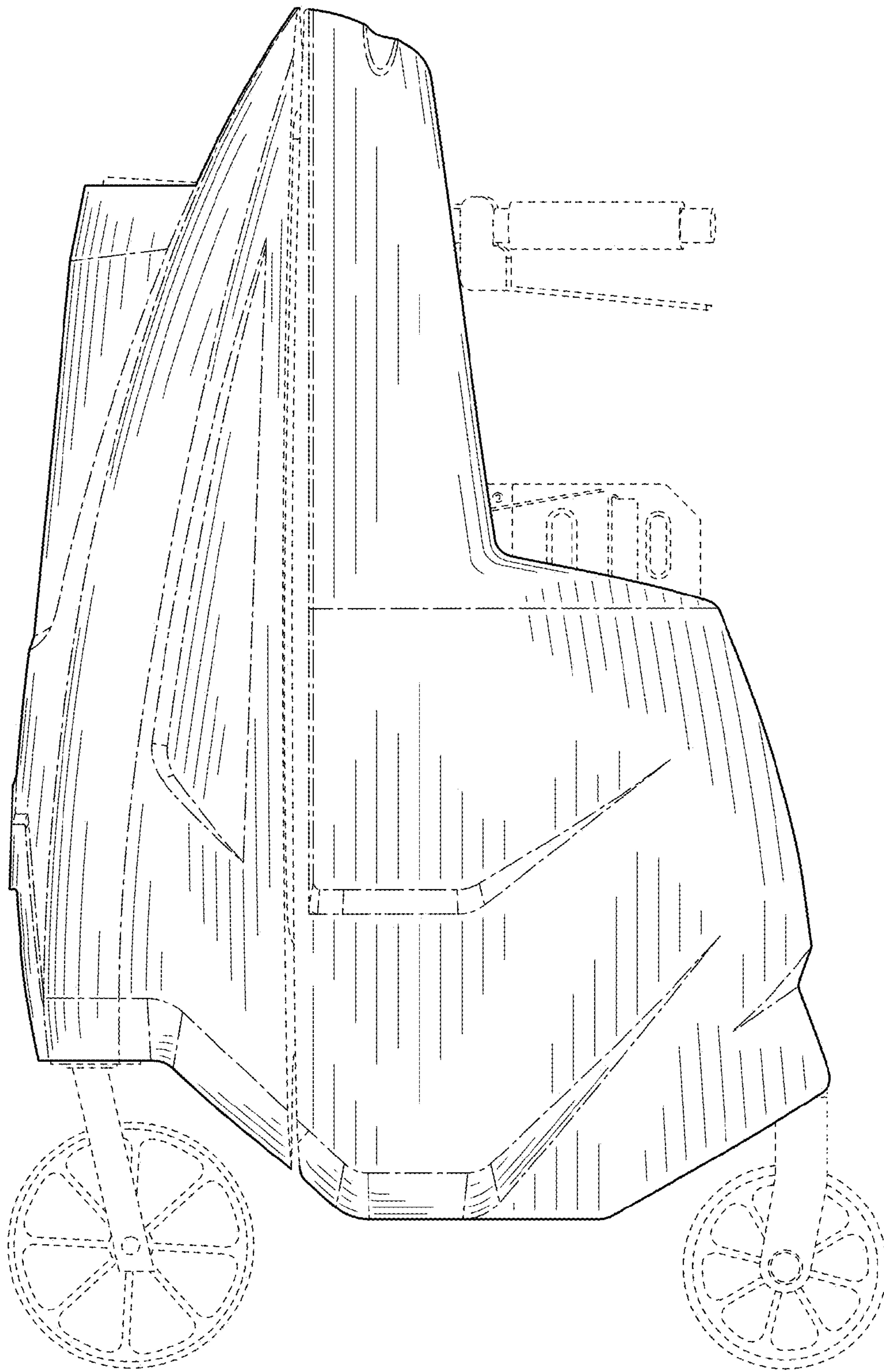


FIG. 37





FIG. 38

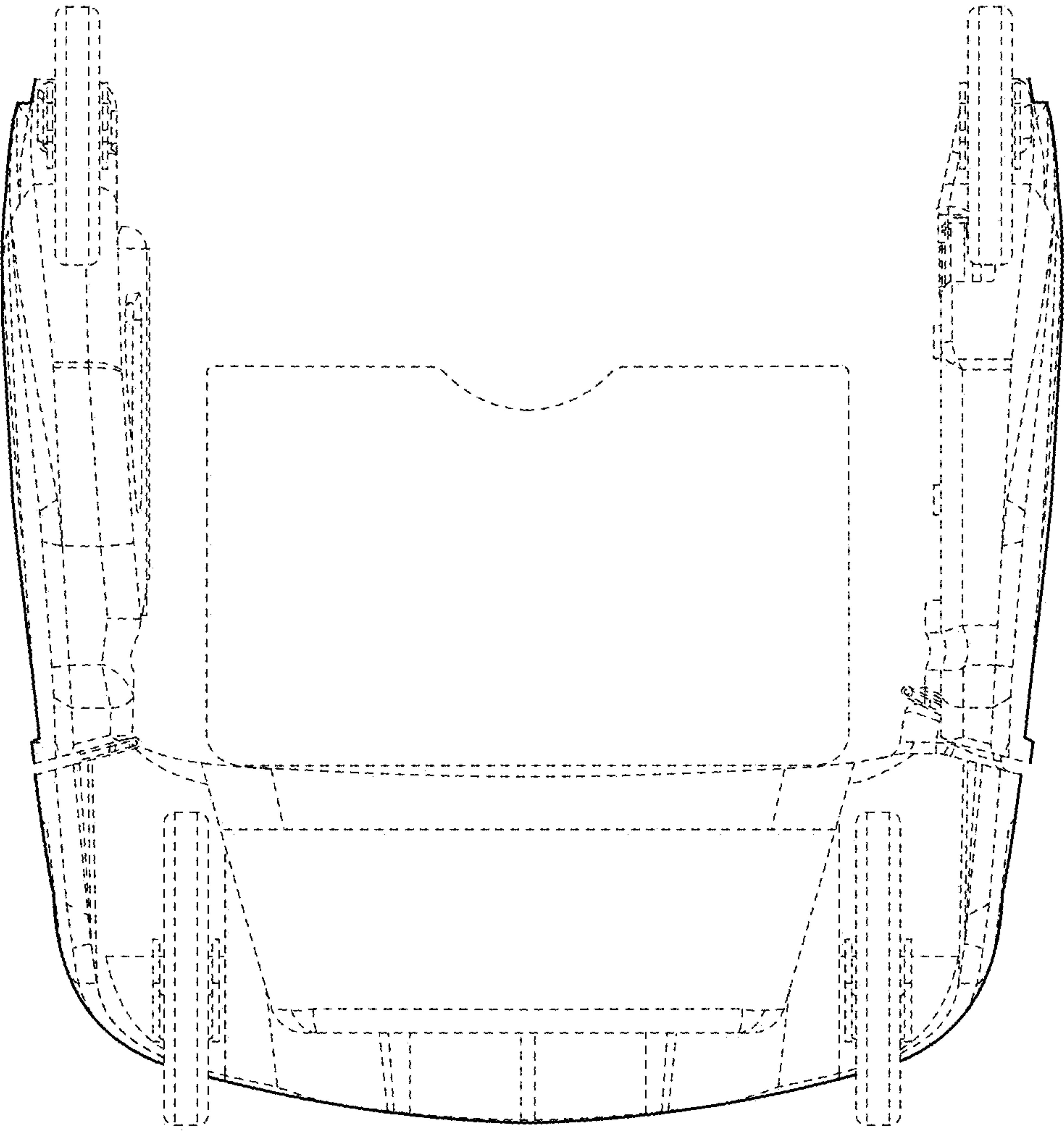


FIG. 39

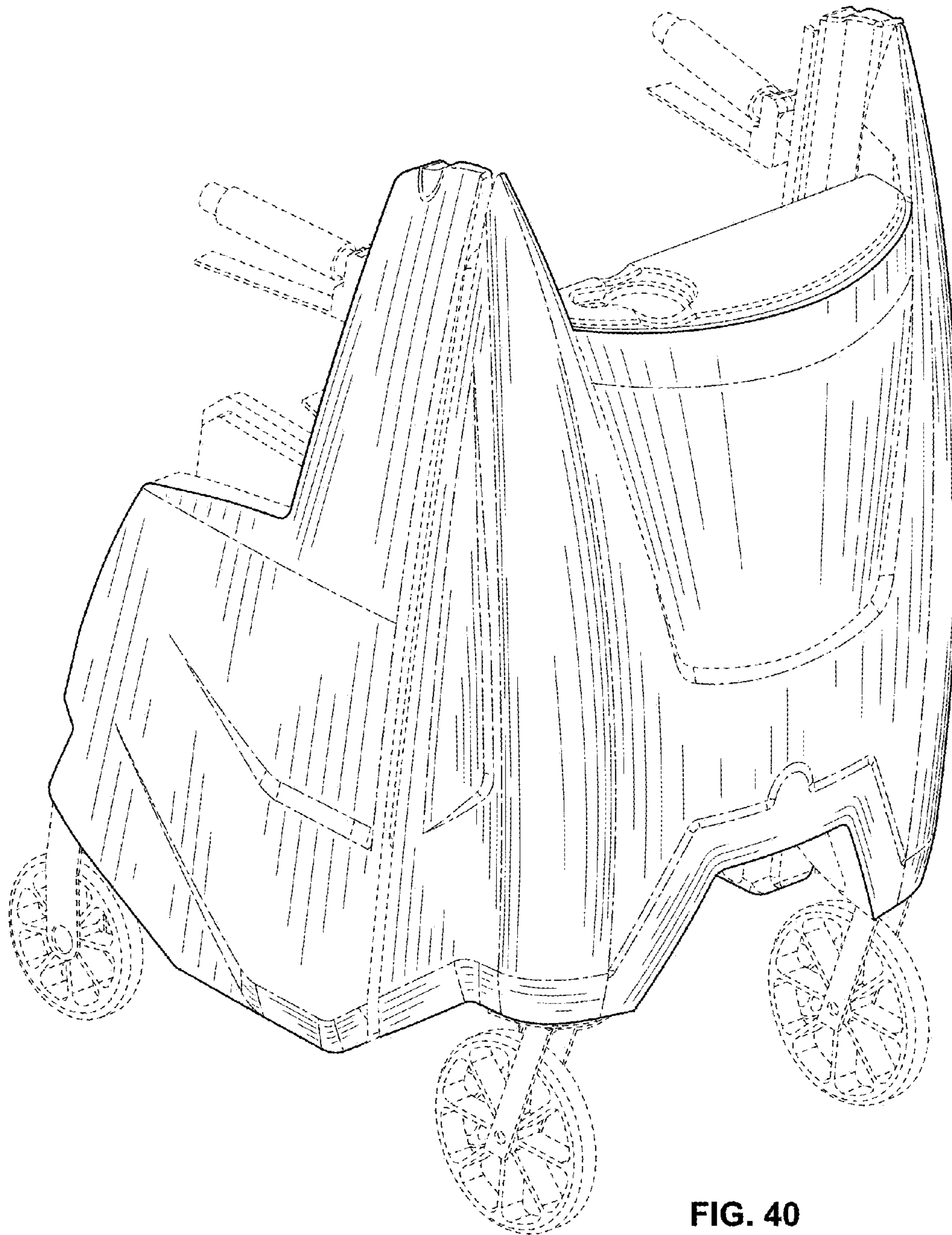


FIG. 40



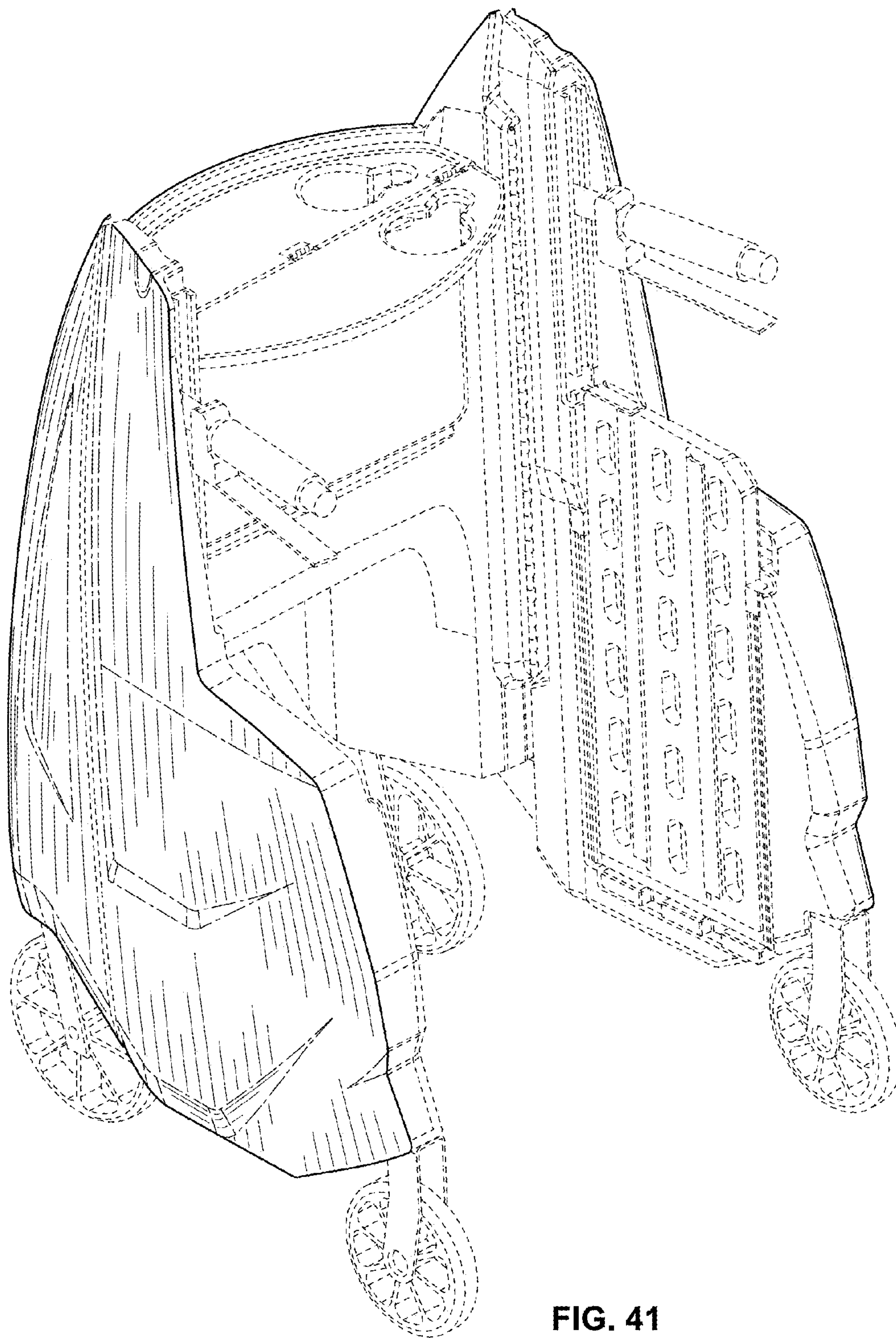


FIG. 41

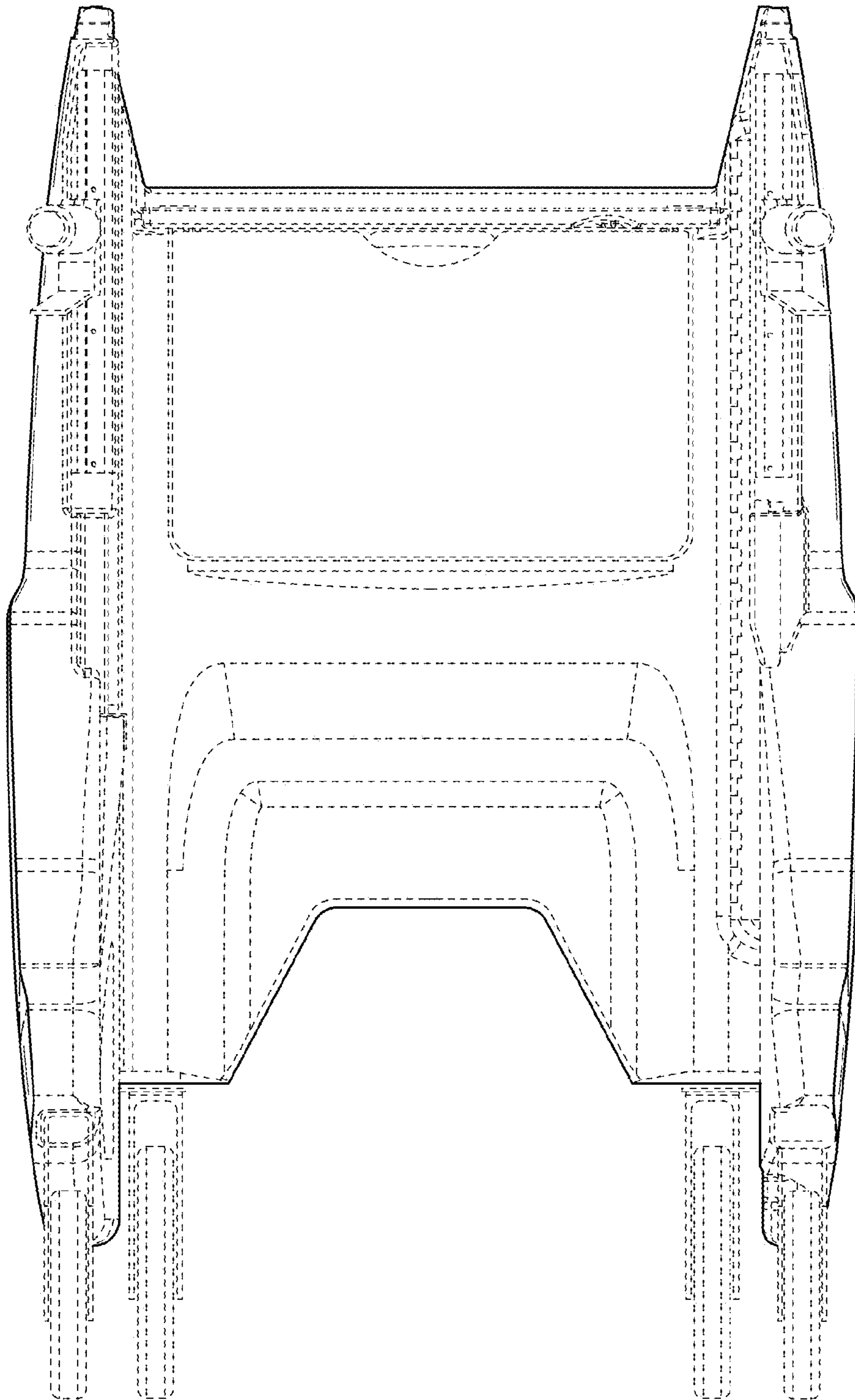


FIG. 42

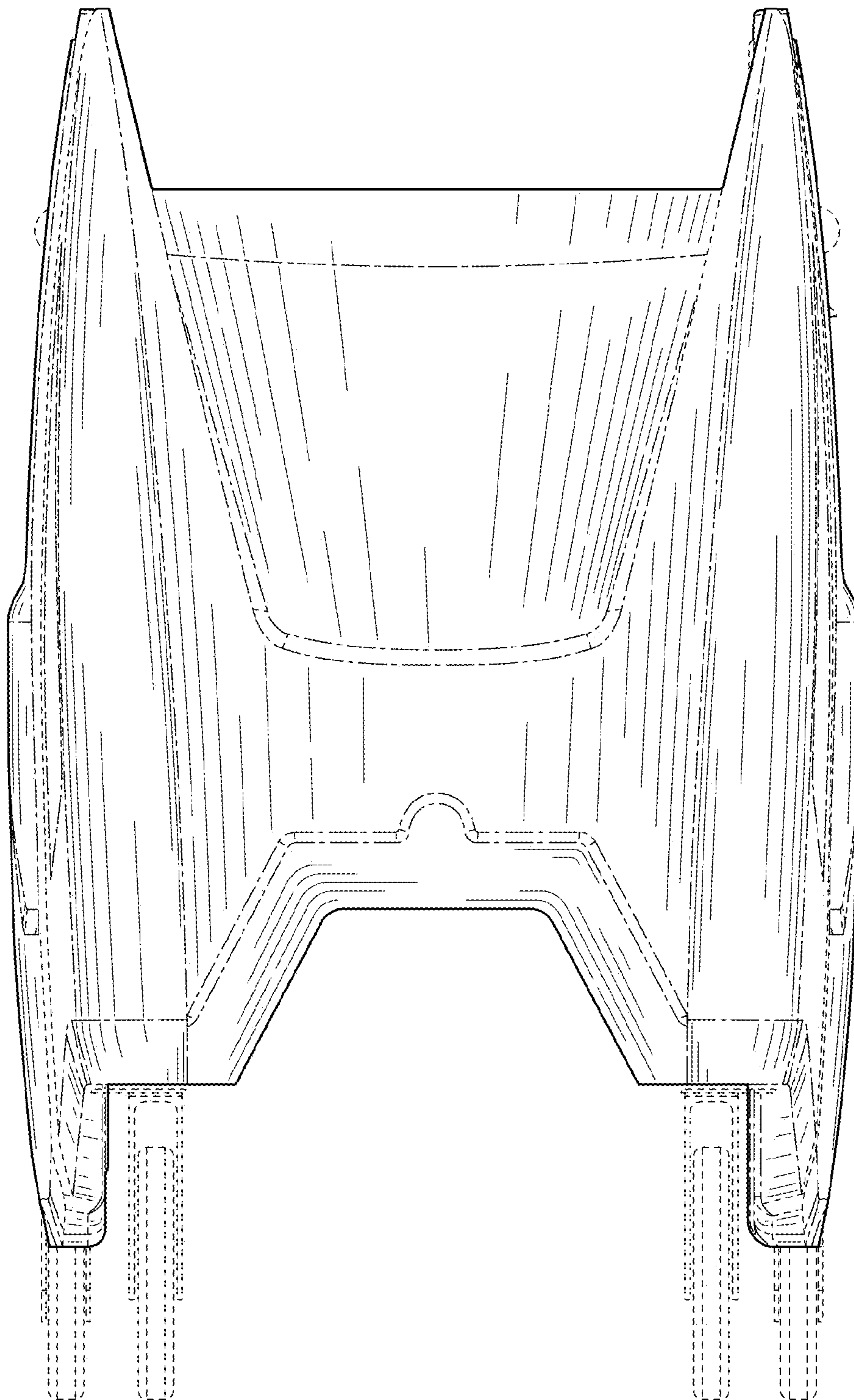


FIG. 43



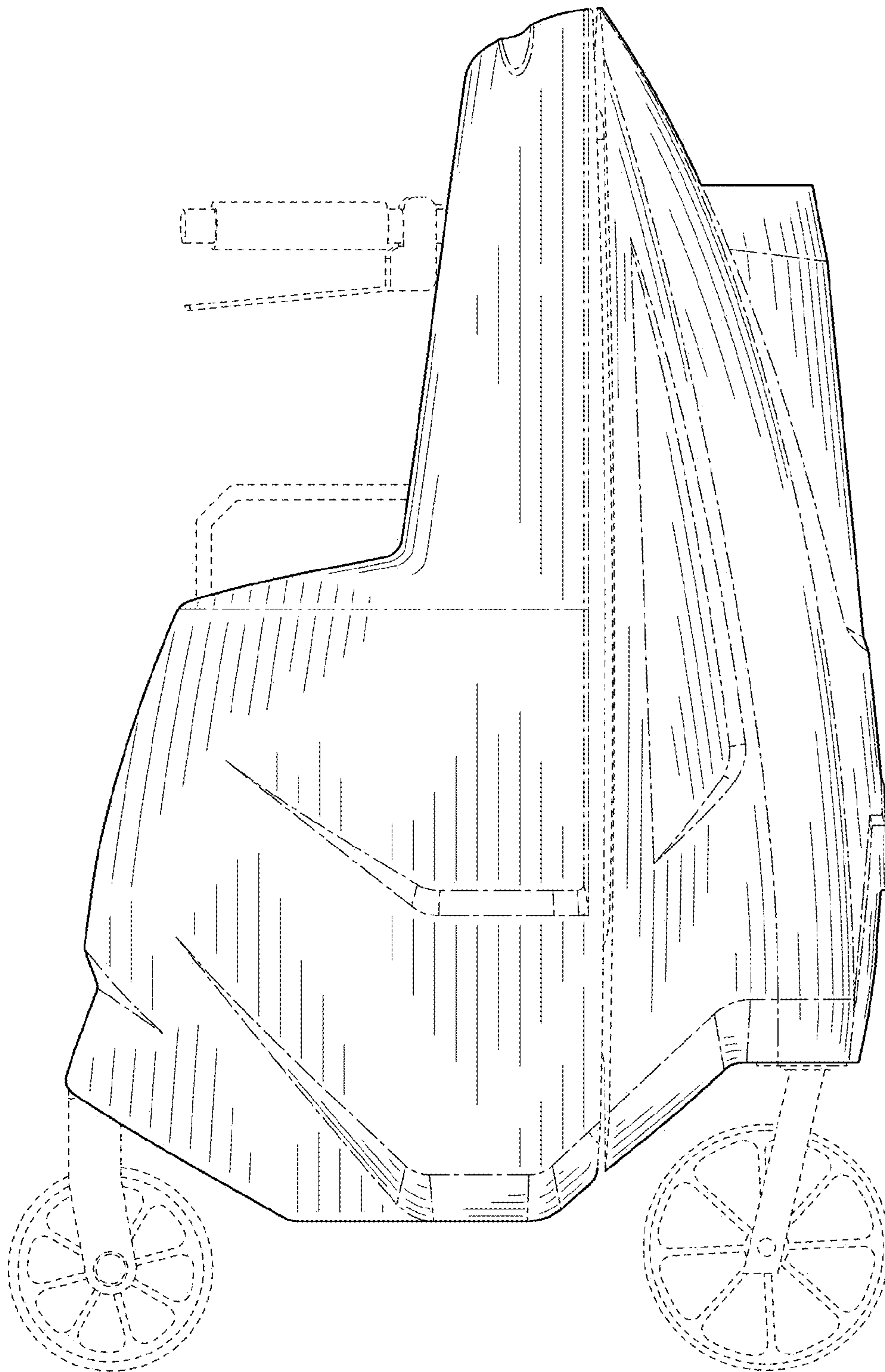


FIG. 44

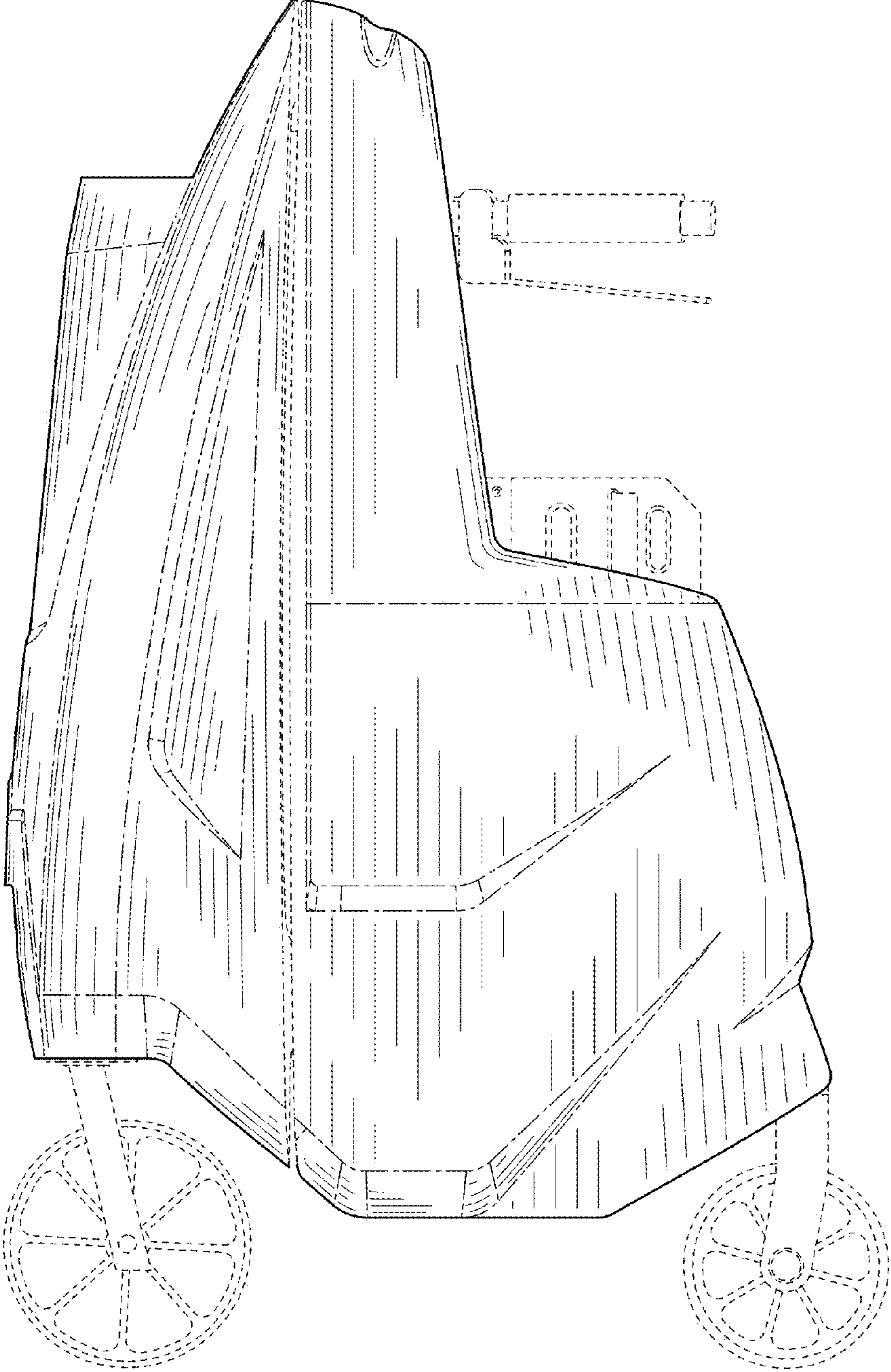


FIG. 45

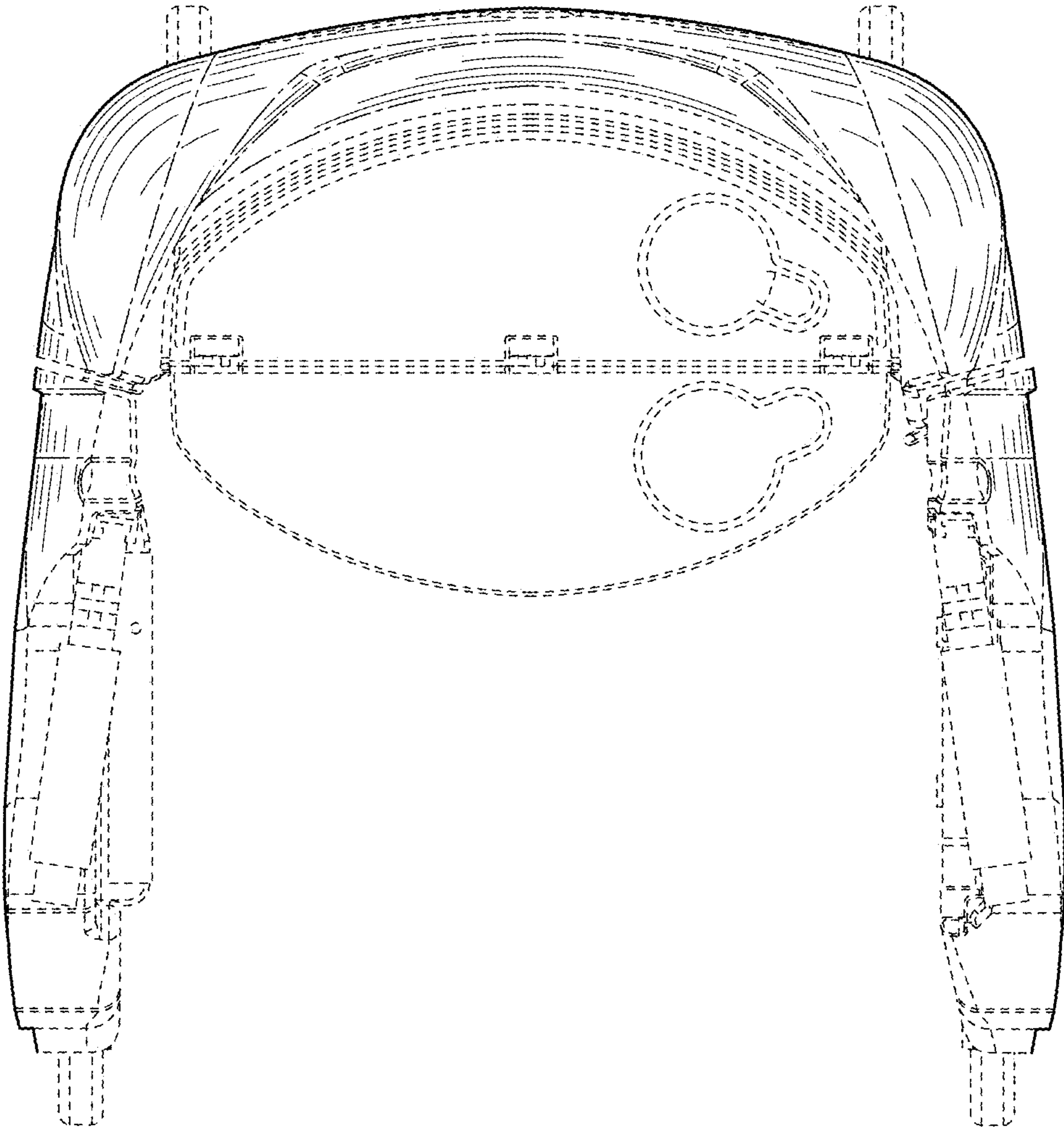


FIG. 46



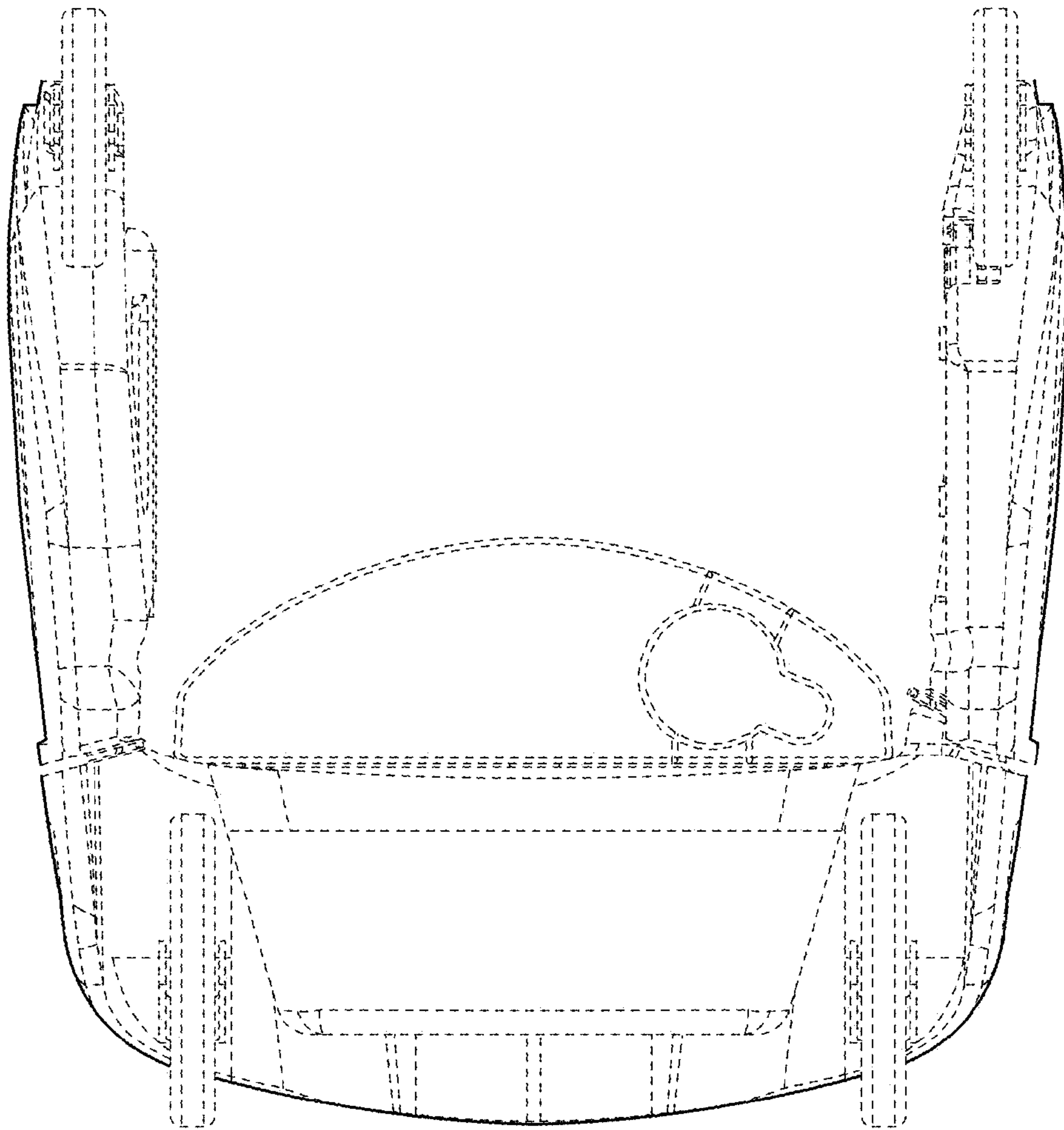


FIG. 47

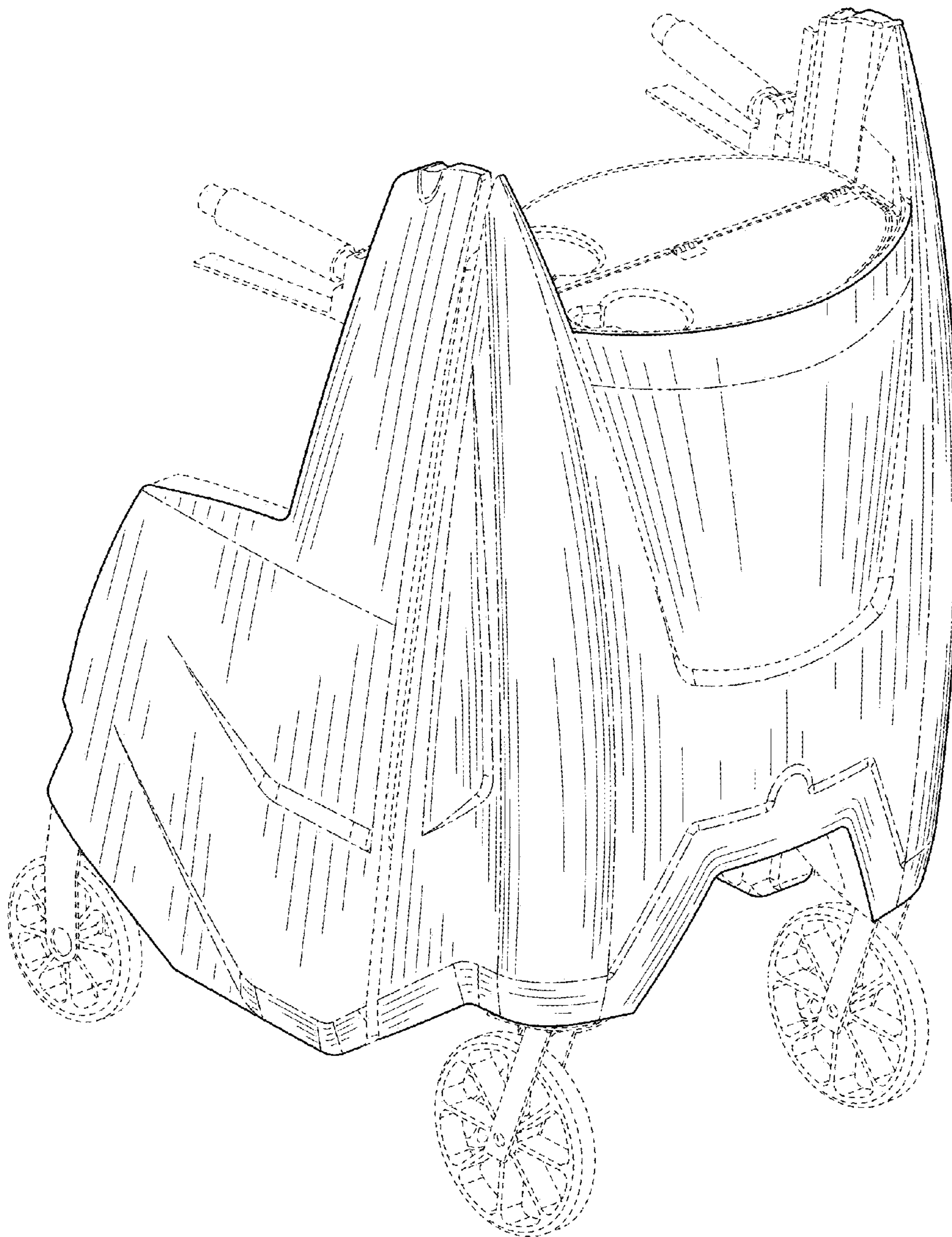


FIG. 48