



US00D76555S

(12) **United States Design Patent** (10) **Patent No.:** **US D765,555 S**  
**Lai** (45) **Date of Patent:** **\*\* Sep. 6, 2016**

(54) **STROLLER**

(71) Applicant: **TONGZI BABY APPLIANCE (TAICANG) CO., LTD.**, Taicang, Jiangsu Province (CN)

(72) Inventor: **Chin-I Lai**, Tainan (TW)

(73) Assignee: **TONGZI BABY APPLIANCE (TAICANG) CO., LTD.**, Taicang, Jiangsu Province (CN)

(\*\*) Term: **14 Years**

(21) Appl. No.: **29/518,939**

(22) Filed: **Feb. 27, 2015**

(51) **LOC (10) Cl.** ..... **12-12**

(52) **U.S. Cl.**  
USPC ..... **D12/129**

(58) **Field of Classification Search**  
USPC ..... D12/129-133  
CPC ..... B62B 7/00-7/04; B62B 9/00-9/28  
See application file for complete search history.

(56) **References Cited**

**U.S. PATENT DOCUMENTS**

D474,426 S \* 5/2003 Hartenstine ..... D12/129  
D480,994 S \* 10/2003 Grohmann ..... D12/129

D579,826 S \* 11/2008 Grim ..... D12/129  
D580,829 S \* 11/2008 Jacobs ..... D12/129  
D593,007 S \* 5/2009 Chauderge ..... D12/129  
D671,040 S \* 11/2012 Lin ..... D12/129  
D742,792 S \* 11/2015 Goldberg ..... D12/129

\* cited by examiner

*Primary Examiner* — Charles Hanson

(74) *Attorney, Agent, or Firm* — Muncy, Geissler, Olds & Lowe, P.C.

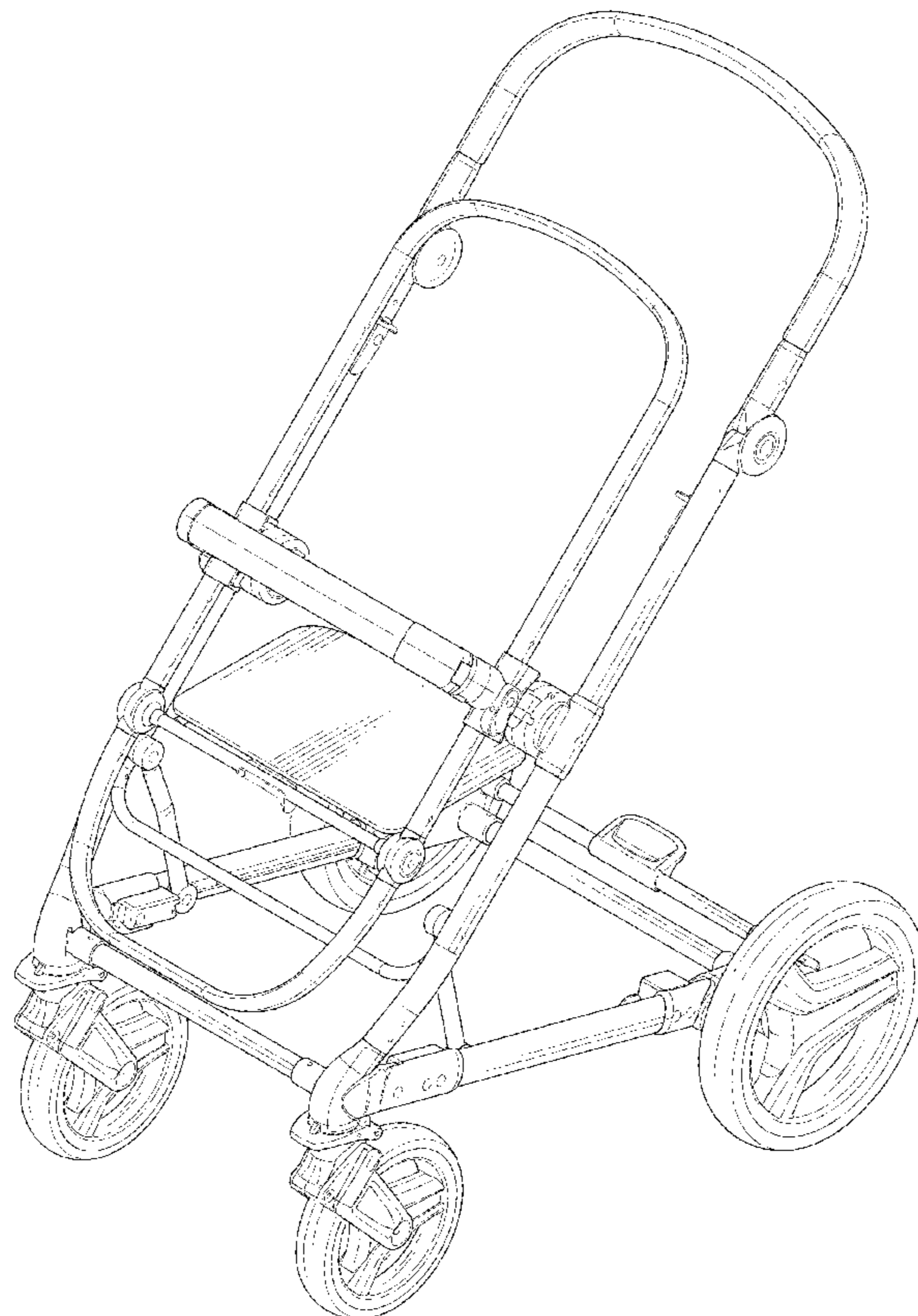
(57) **CLAIM**

The ornamental design for a stroller, as shown and described.

**DESCRIPTION**

FIG. 1 is a perspective view of a stroller, showing my new design;  
FIG. 2 showing that a front side elevation view thereof;  
FIG. 3 is a rear perspective view thereof;  
FIG. 4 is a left side elevation view thereof;  
FIG. 5 is a right side elevation view thereof;  
FIG. 6 is a top view thereof;  
FIG. 7 is a bottom plan view thereof; and,  
FIG. 8 is another side elevation view thereof, in a fold condition.

**1 Claim, 8 Drawing Sheets**



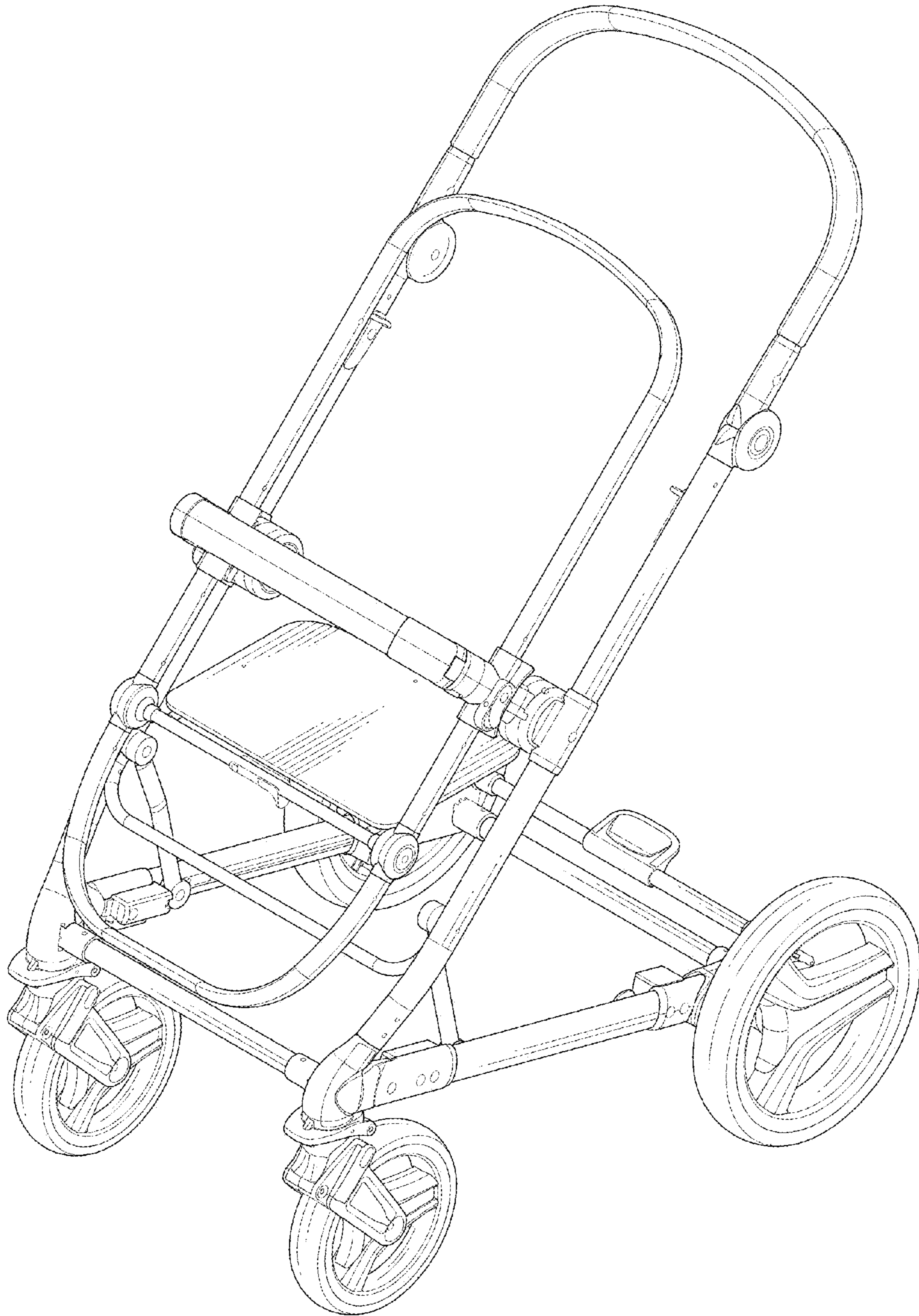


Fig. 1

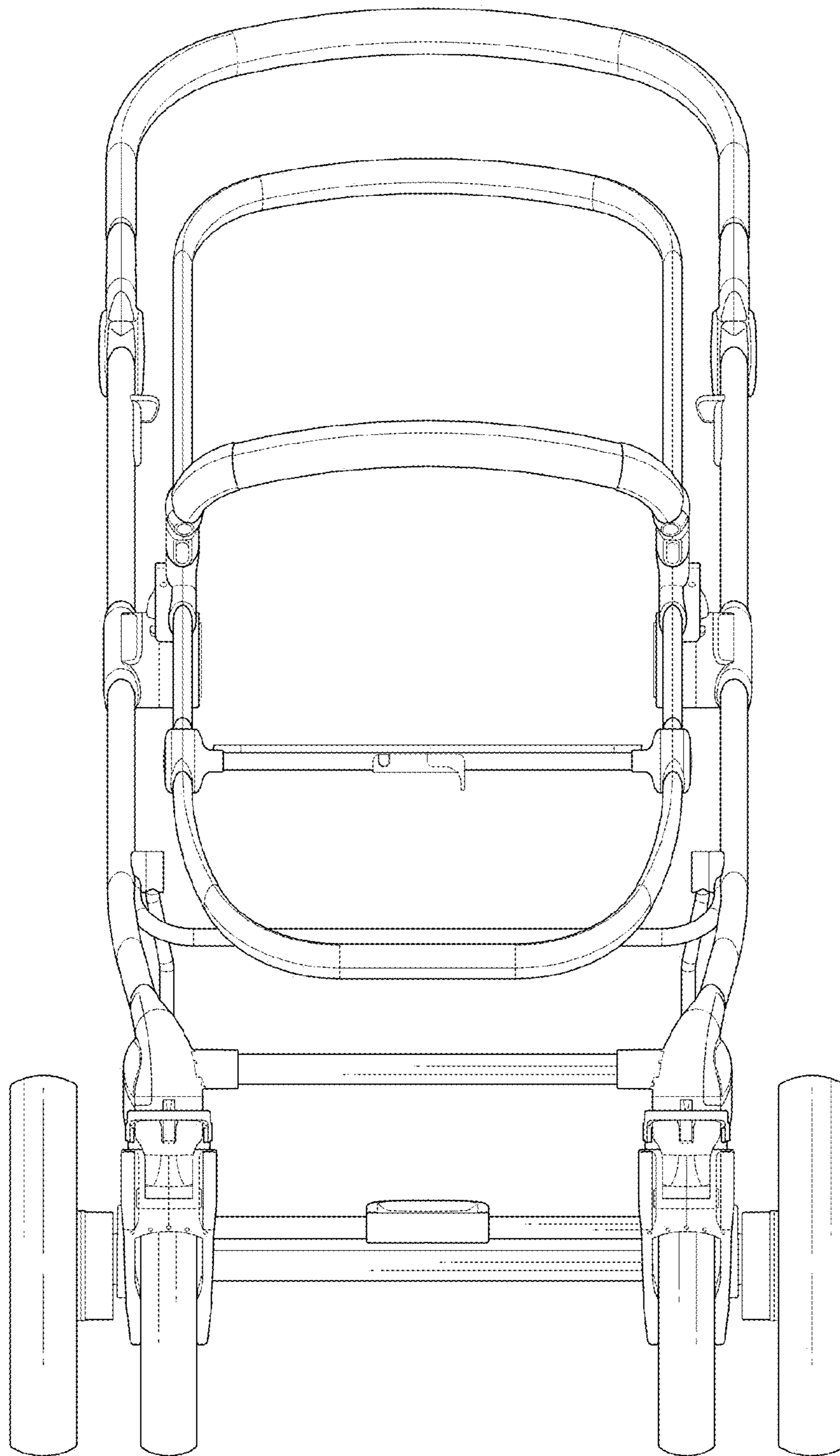


Fig. 2

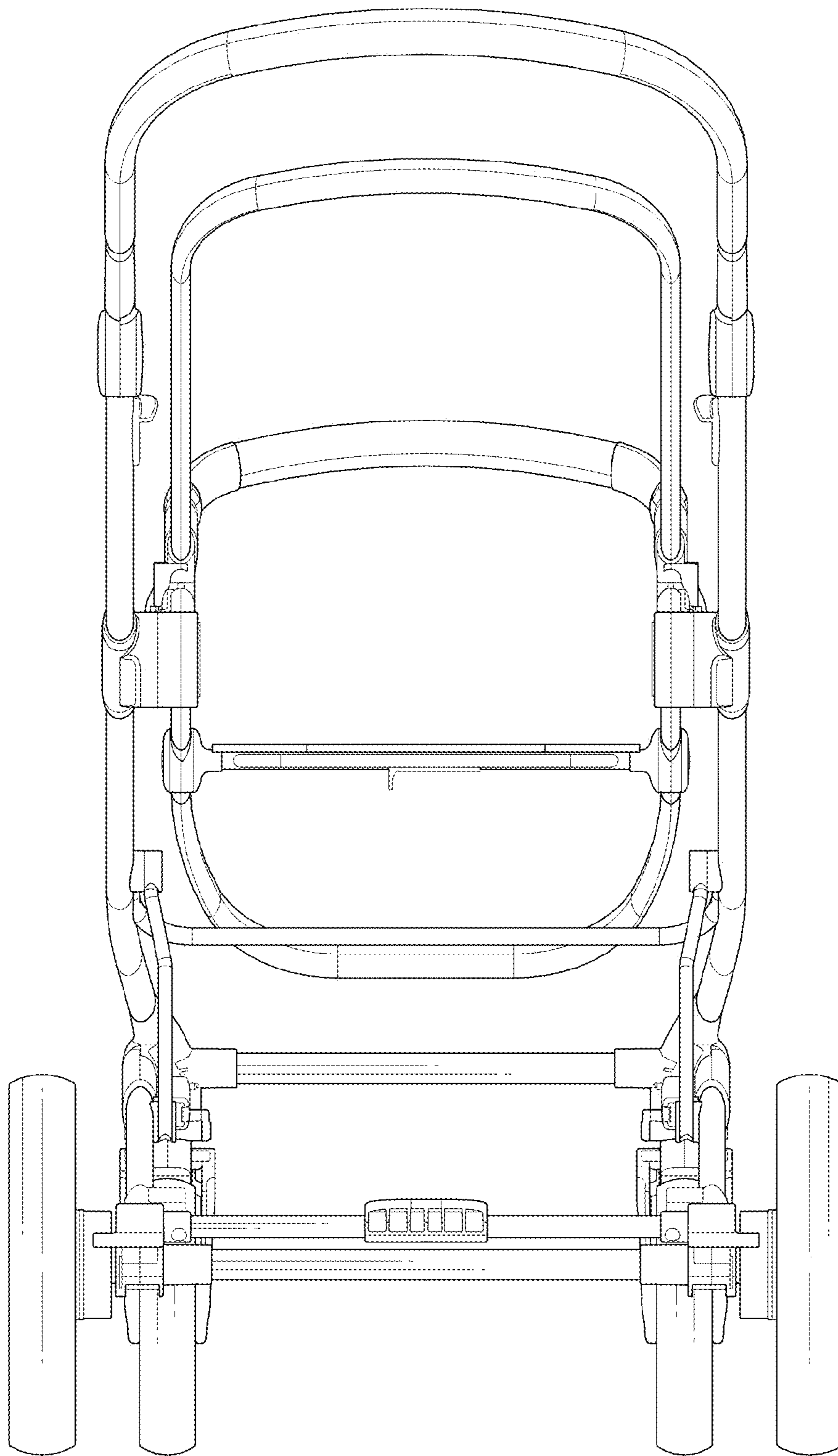


Fig. 3

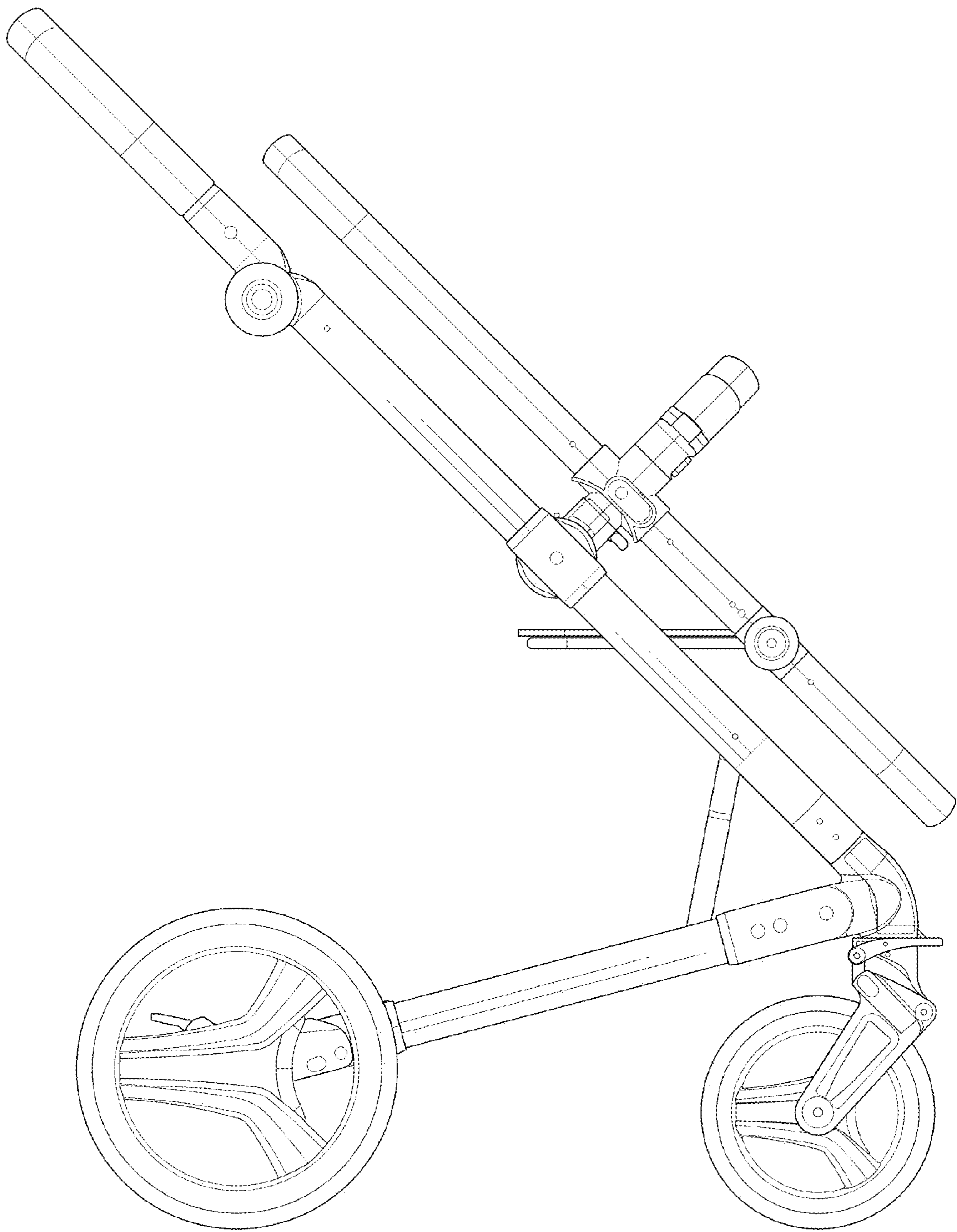


Fig. 4

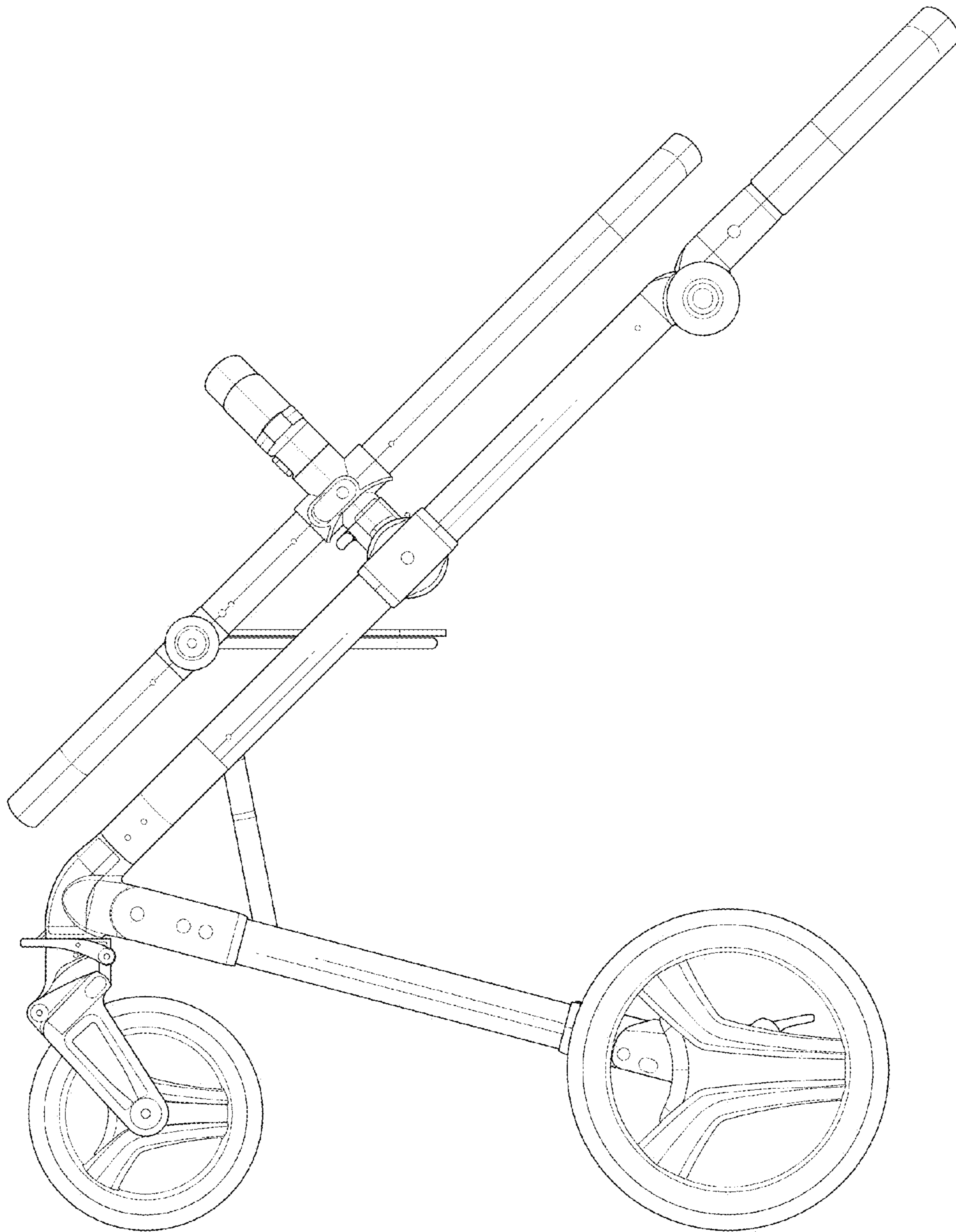


Fig. 5

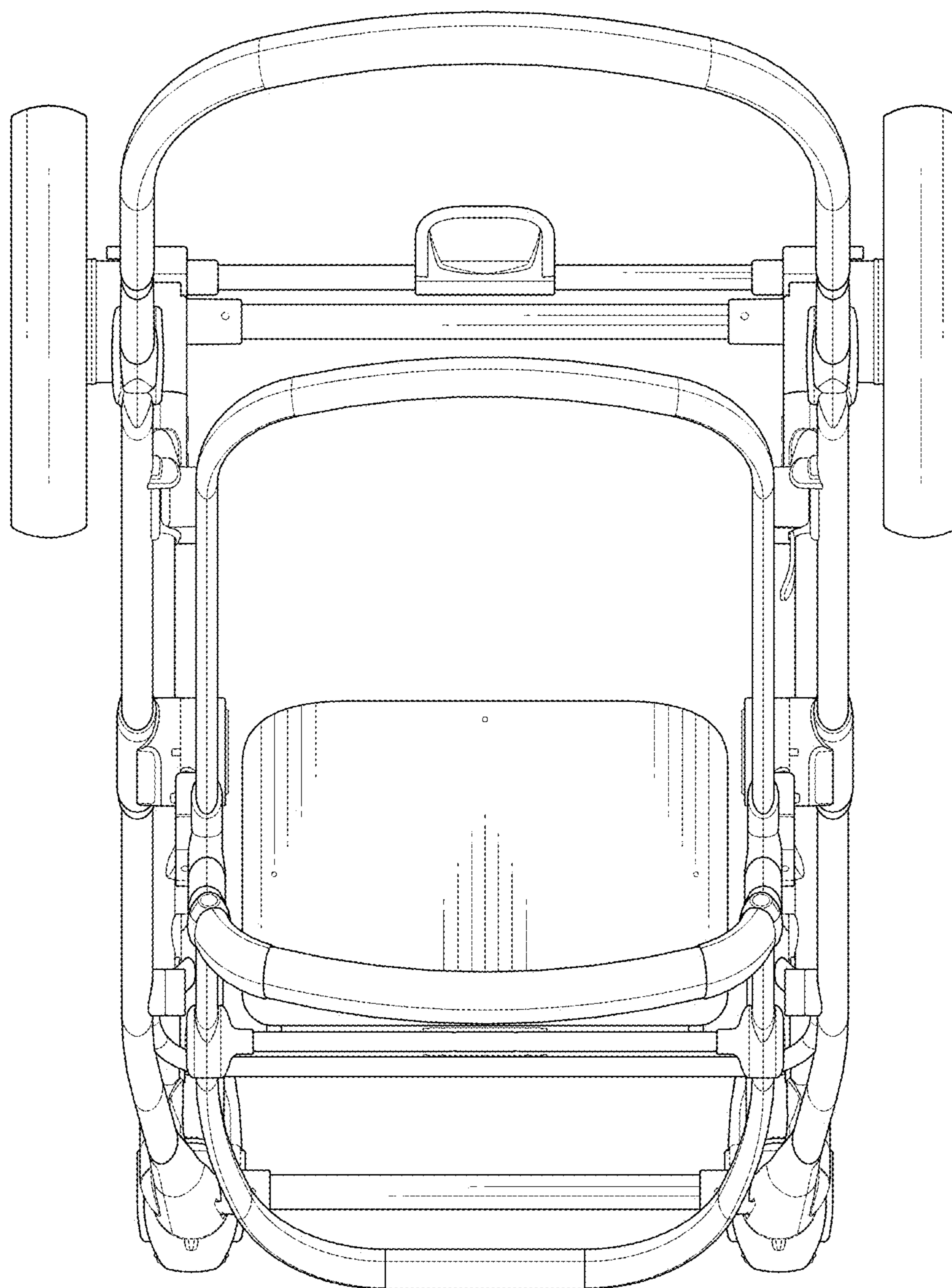


Fig. 6

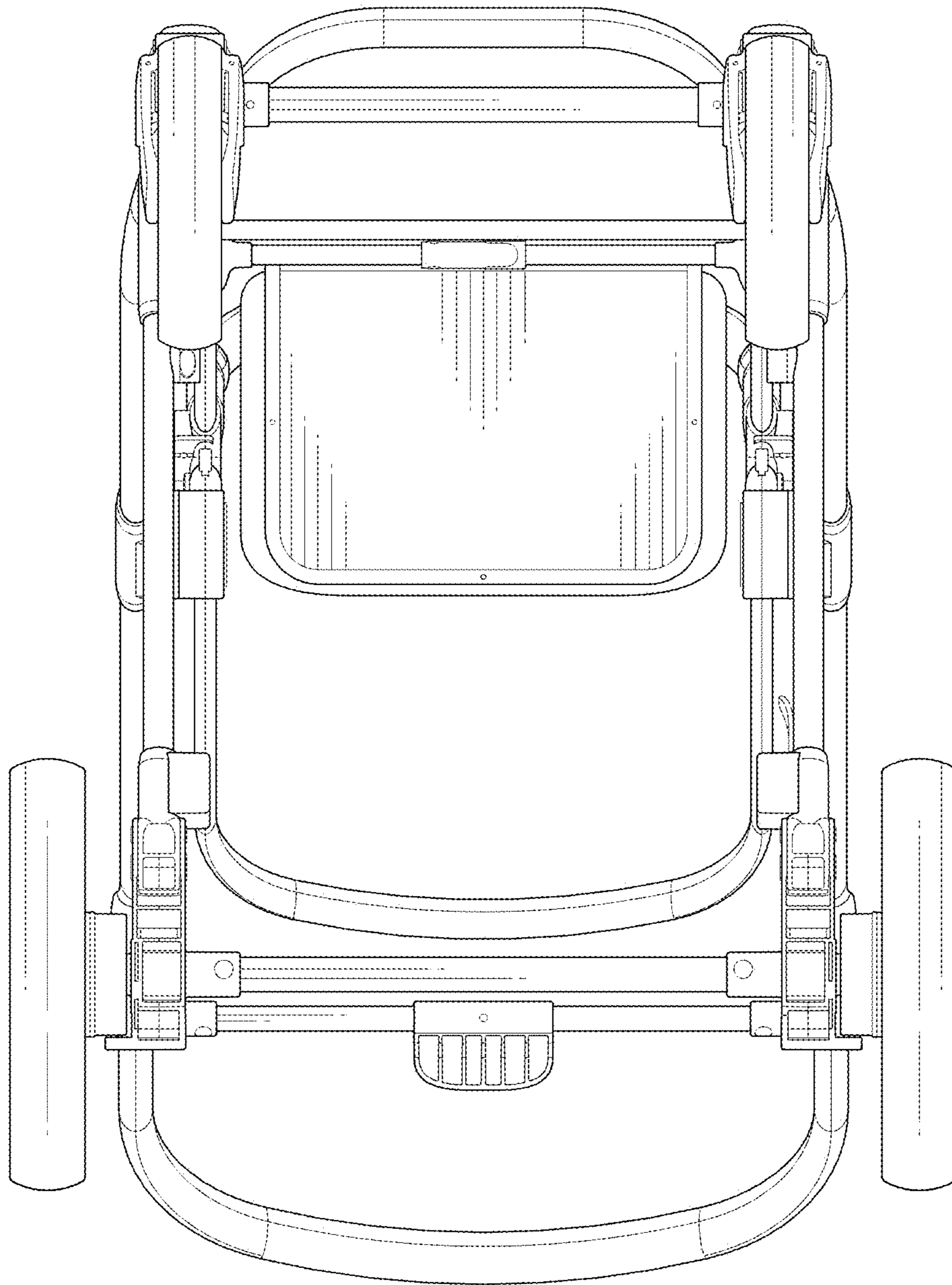


Fig. 7



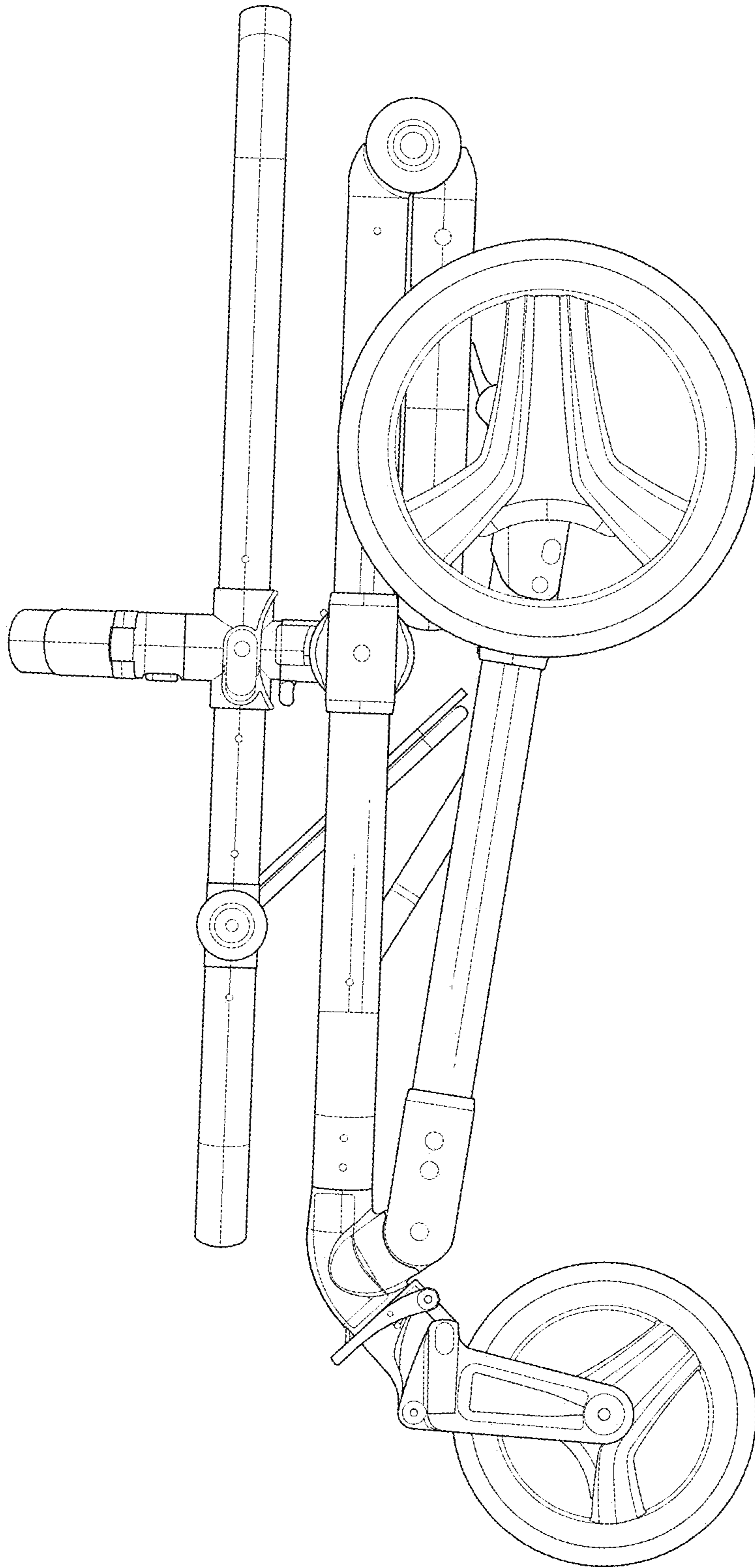


Fig. 8