



US00D765551S

(12) **United States Design Patent** (10) **Patent No.:** **US D765,551 S**
Baker, Jr. et al. (45) **Date of Patent:** **** Sep. 6, 2016**

(54) **COMPENSATOR SPROCKET**

(71) Applicant: **Baker, Inc.**, Haslett, MI (US)

(72) Inventors: **Bert E. Baker, Jr.**, Williamston, MI (US); **Chad W. Behrendt**, Fowler, MI (US)

(73) Assignee: **Baker, Inc.**, Haslett, MI (US)

(**) Term: **14 Years**

(21) Appl. No.: **29/518,363**

(22) Filed: **Feb. 23, 2015**

(51) **LOC (10) Cl.** **12-11**

(52) **U.S. Cl.**
 USPC **D12/123**

(58) **Field of Classification Search**
 USPC D12/111, 122-127; 474/77, 80, 116, 474/118, 152, 155-158, 160-164, 202; 280/288.4, 304.3, 304.4; 74/594.2
 CPC F16H 7/06; F16H 55/30; F16H 55/303; B62M 9/105

See application file for complete search history.

D396,436 S * 7/1998 Liska D12/123
 D430,510 S * 9/2000 Hanamura D12/123
 D432,054 S * 10/2000 Hanamura D12/123
 D461,481 S * 8/2002 Carlson D12/123
 D472,843 S * 4/2003 Marquez-Pickering D11/81
 D492,579 S * 7/2004 Hodjat D8/360
 7,344,463 B2 * 3/2008 Reiter B62M 9/10
 474/160
 D595,619 S * 7/2009 Morrow D12/123
 D613,207 S * 4/2010 Hsu D12/123
 D718,658 S * 12/2014 Cadarette D12/7
 D733,009 S * 6/2015 Woods D12/123
 2009/0036260 A1 * 2/2009 Dec F16H 3/60
 474/294
 2014/0135160 A1 * 5/2014 Kaiser F16H 55/30
 474/152

* cited by examiner

Primary Examiner — Philip S Hyder
Assistant Examiner — Darlington Ly
 (74) *Attorney, Agent, or Firm* — Oppenhuizen Law PLC;
 David L. Oppenhuizen

(57) **CLAIM**
 The ornamental design for a compensator sprocket, as shown and described.

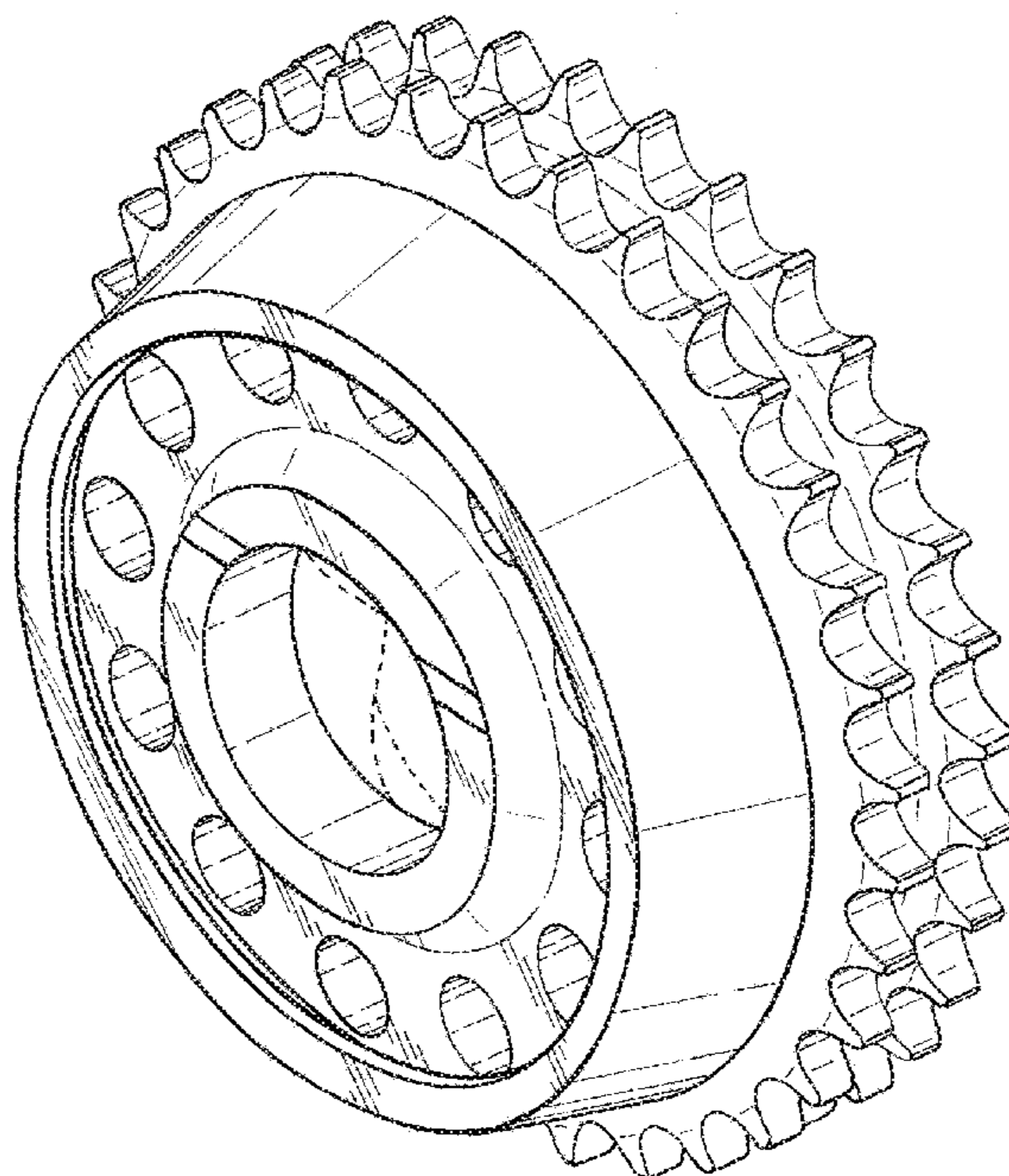
DESCRIPTION

FIG. 1 is a top perspective view of a compensator sprocket showing our new design;
 FIG. 2 is a top plan view thereof; and,
 FIG. 3 is a front elevation view thereof, wherein, the rear, left side, and right side views are identical thereto.
 The broken lines in the drawings illustrate portions of the compensator sprocket that forms no part of the claimed design.

1 Claim, 3 Drawing Sheets

(56) **References Cited**
 U.S. PATENT DOCUMENTS

601,990 A * 4/1898 Suter F16H 55/54
 474/47
 D242,539 S * 11/1976 Manofsky et al. D12/123
 D246,097 S * 10/1977 McGregor, Sr. D12/123
 D323,309 S * 1/1992 Perry D12/127
 5,137,500 A * 8/1992 Lhotak E05F 15/684
 474/152
 D362,210 S * 9/1995 Haney D12/123



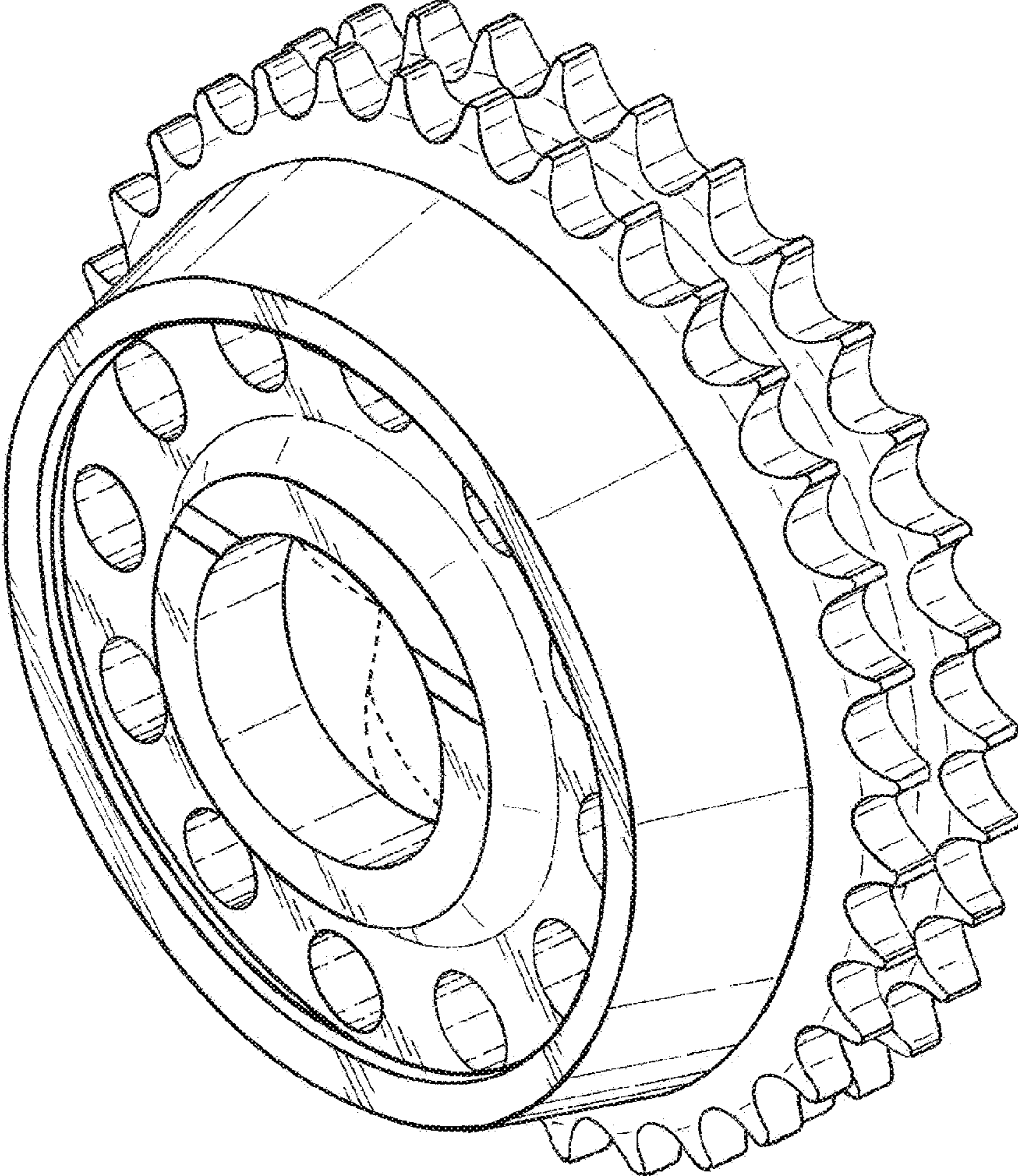


FIG.1

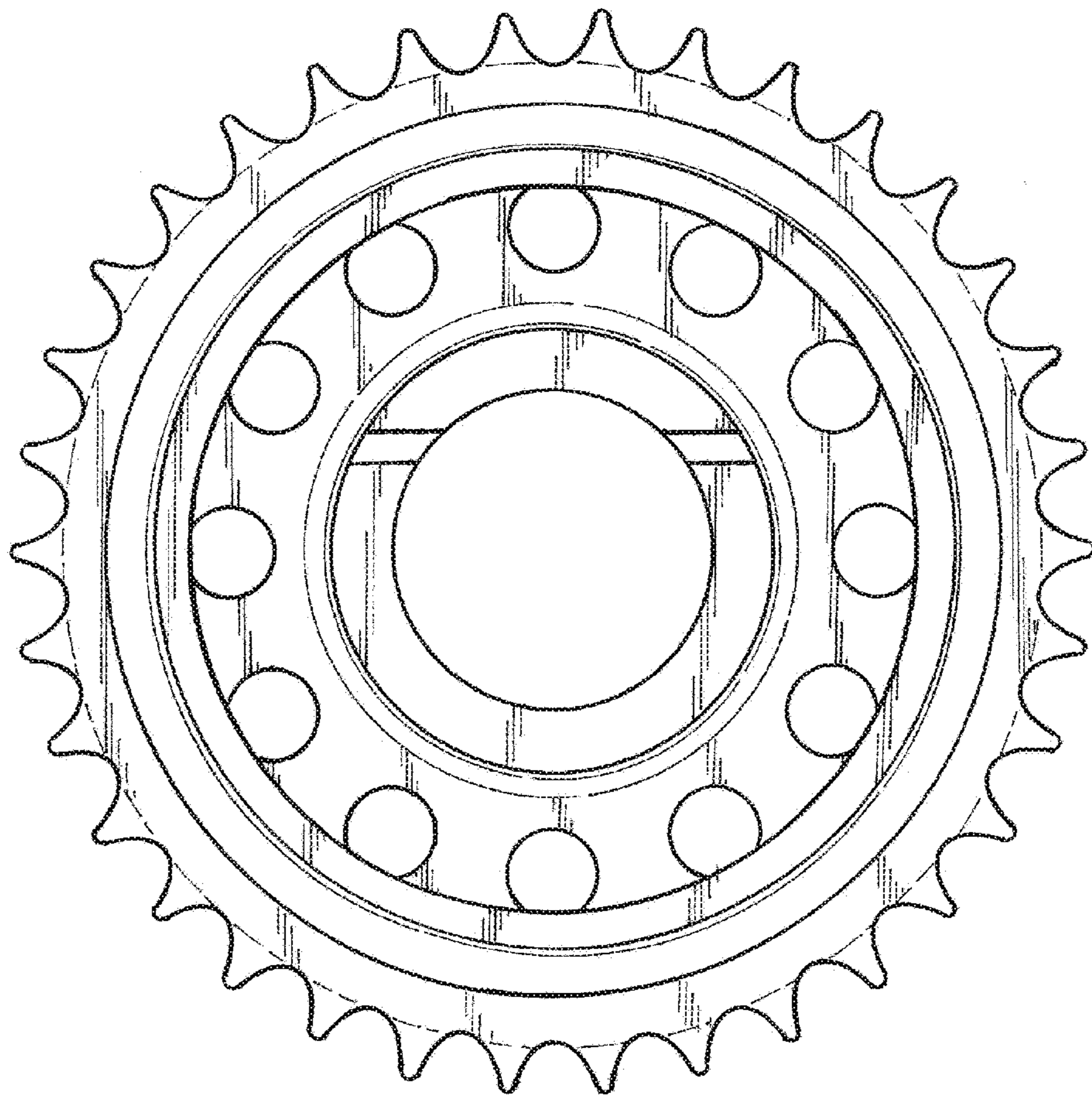


FIG.2

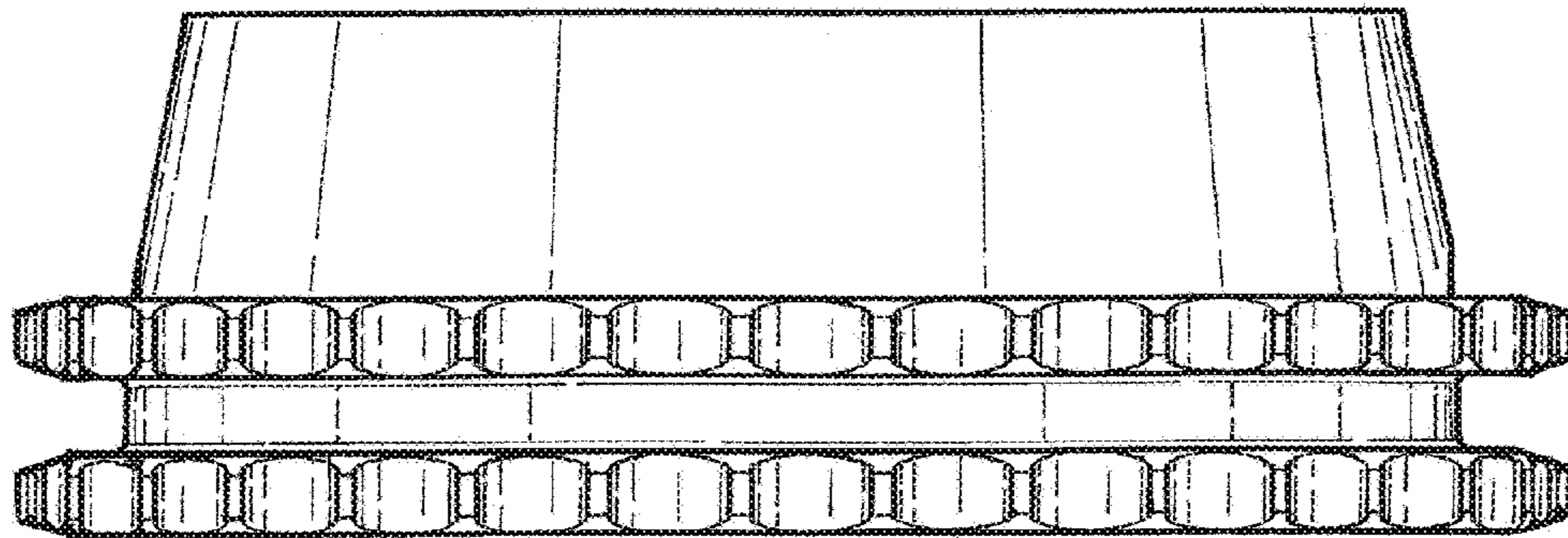


FIG.3