



US00D765547S

(12) **United States Design Patent**
Ahn

(10) **Patent No.:** **US D765,547 S**
(45) **Date of Patent:** **** Sep. 6, 2016**

(54) **AUTOMOBILE**

(71) Applicant: **Kia Motors Corporation**, Seoul (KR)

(72) Inventor: **Sang-Hun Ahn**, Ansan (KR)

(73) Assignee: **Kia Motors Corporation**, Seoul (KR)

(**) Term: **14 Years**

(21) Appl. No.: **29/513,900**

(22) Filed: **Jan. 6, 2015**

(30) **Foreign Application Priority Data**

Sep. 26, 2014 (KR) 30-2014-0046545

(51) **LOC (10) Cl.** **12-08**

(52) **U.S. Cl.**
USPC **D12/92**

(58) **Field of Classification Search**
USPC D12/86, 90-92, 88; D21/421, 433, 434;
296/181.1, 181.5
CPC B62D 35/00; B62D 25/00; B62D 25/06;
B62D 33/00
See application file for complete search history.

(56) **References Cited**

U.S. PATENT DOCUMENTS

D640,603 S * 6/2011 Ham D12/92
D649,493 S * 11/2011 Kim D12/92

D670,201 S * 11/2012 Ham D12/92
D686,533 S * 7/2013 Jang D12/92
D696,608 S * 12/2013 Jeon D12/92
D696,609 S * 12/2013 Jang D12/92
D714,688 S * 10/2014 Baek D12/92
D715,694 S * 10/2014 Kim D12/92

* cited by examiner

Primary Examiner — Melody N Brown

(74) *Attorney, Agent, or Firm* — Mintz Levin Cohn Ferris
Glovsky and Popeo, P.C.; Kongsik Kim

(57) **CLAIM**

The ornamental design for an automobile, as shown and described.

DESCRIPTION

FIG. 1 is a perspective view of an automobile according to the present invention.
FIG. 2 is a front view of the automobile of FIG. 1.
FIG. 3 is a rear view of the automobile of FIG. 1.
FIG. 4 is a left side view of the automobile of FIG. 1.
FIG. 5 is a right side view of the automobile of FIG. 1; and,
FIG. 6 is a top view of the automobile of FIG. 1.
A bottom view thereof is omitted since it does not include ornamental features.

1 Claim, 6 Drawing Sheets



FIG. 1



FIG. 2



FIG. 3



FIG. 4

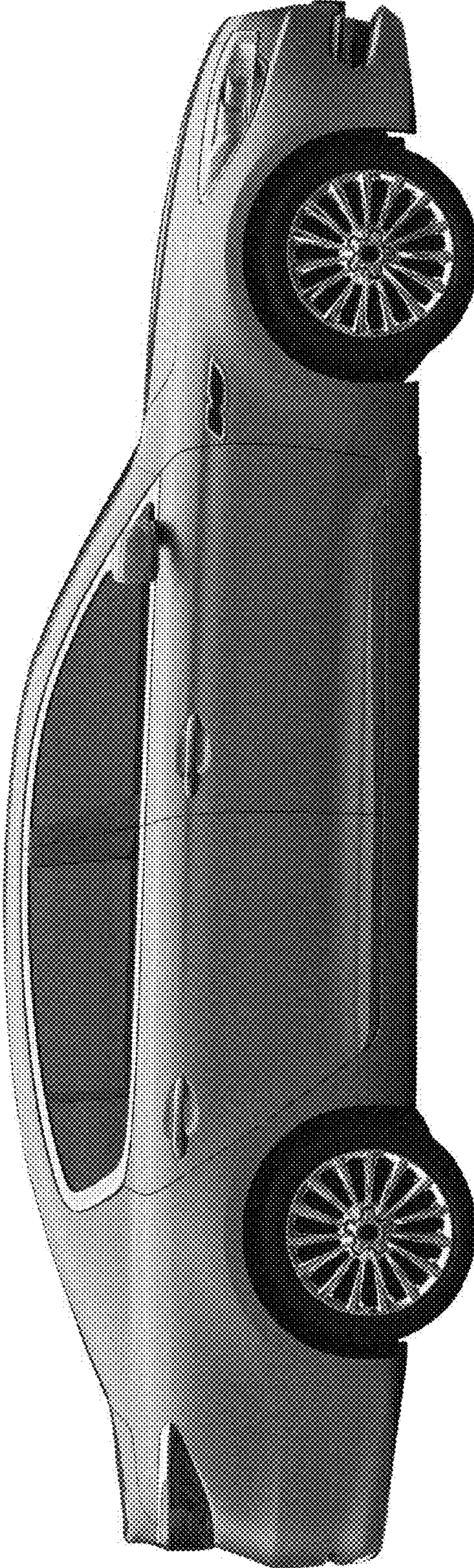


FIG. 5

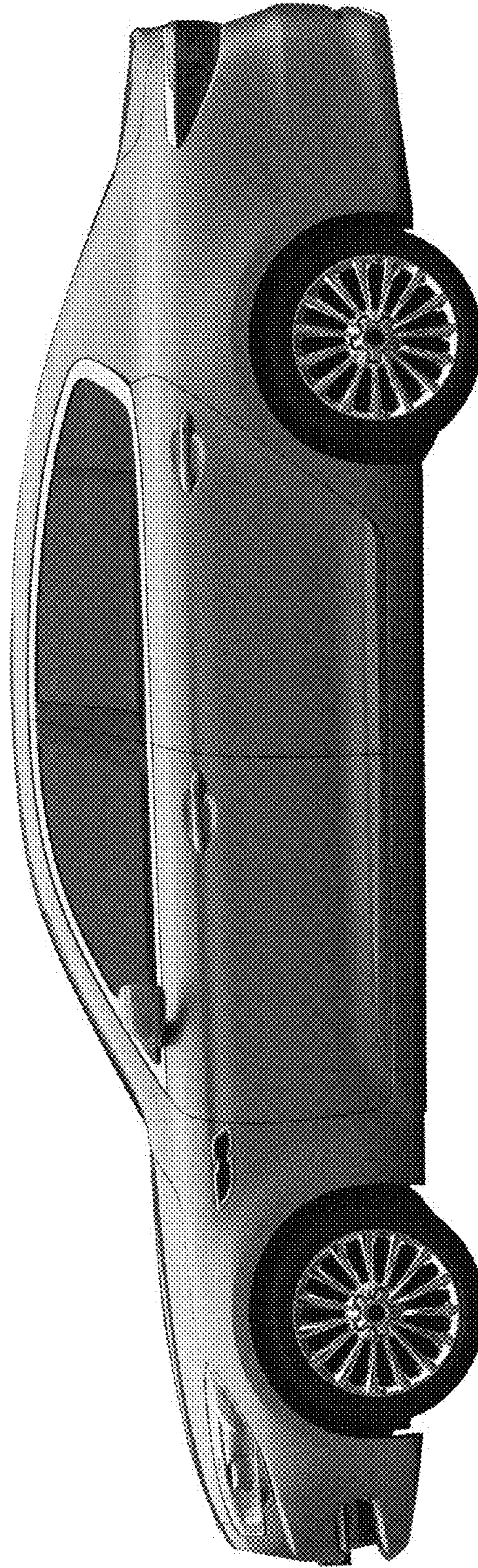


FIG. 6

