



US00D765546S

(12) **United States Design Patent** (10) **Patent No.:** **US D765,546 S**
Kimoto et al. (45) **Date of Patent:** **** Sep. 6, 2016**

(54) **MOTOR VEHICLE**

(71) Applicant: **Mazda Motor Corporation**, Hiroshima (JP)

(72) Inventors: **Eiji Kimoto**, Hiroshima (JP); **Siyong Song**, Irvine, CA (US); **Kousuke Takahashi**, Hiroshima (JP); **Takeshi Shinohara**, Hiroshima (JP); **Kaname Sawai**, Hiroshima (JP); **Ryousuke Nozaki**, Hiroshima (JP); **Tadashi Ozeki**, Hiroshima (JP); **Ryuji Kumagai**, Hiroshima (JP); **Keisuke Nakai**, Hiroshima (JP)

(73) Assignee: **Mazda Motor Corporation**, Hiroshima (JP)

(**) Term: **15 Years**

(21) Appl. No.: **29/529,663**

(22) Filed: **Jun. 9, 2015**

(51) **LOC (10) Cl.** **12-08**

(52) **U.S. Cl.**
USPC **D12/91**

(58) **Field of Classification Search**
USPC D12/86, 90-92, 88; D21/421, 433, 434;
296/181.1, 181.5
CPC B62D 35/00; B62D 25/00; B62D 25/06;
B62D 33/00

See application file for complete search history.

(56) **References Cited**

U.S. PATENT DOCUMENTS

D690,619 S	*	10/2013	Jelec	D12/91
D718,661 S	*	12/2014	Tabata	D12/91
D731,923 S	*	6/2015	Tanaka	D12/91
D735,078 S	*	7/2015	Tamiya	D12/91
D754,031 S	*	4/2016	Talsma	D12/91
D755,676 S	*	5/2016	Yoshimine	D12/91

* cited by examiner

Primary Examiner — Melody N Brown

(74) *Attorney, Agent, or Firm* — Studebaker & Brackett PC

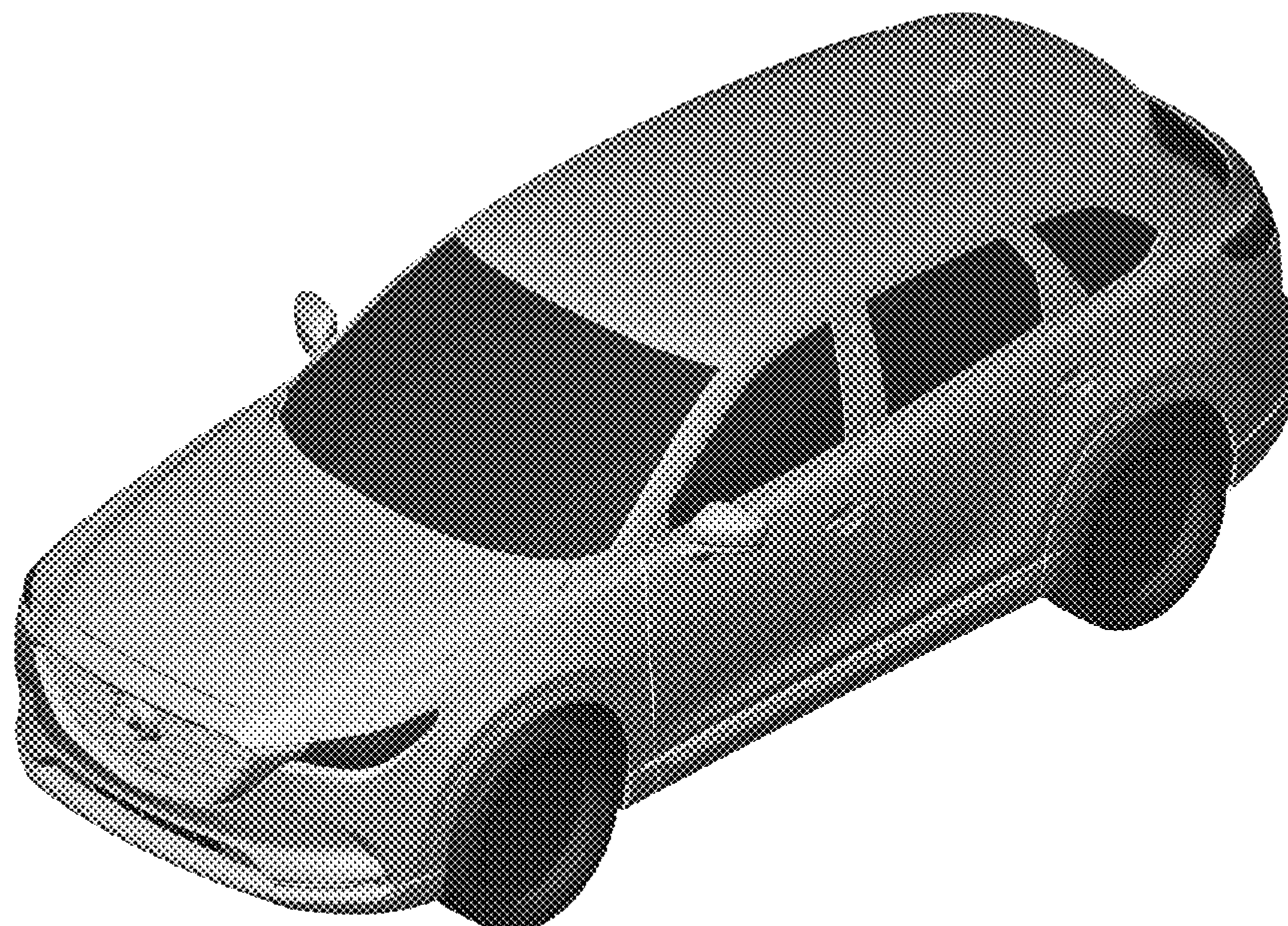
(57) **CLAIM**

The ornamental design for a motor vehicle, as shown and described.

DESCRIPTION

FIG. 1 is a top, front and right side perspective view of a motor vehicle showing our new design;
FIG. 2 is a front perspective view thereof;
FIG. 3 is a top, rear and left side perspective view thereof;
FIG. 4 is a rear perspective view thereof;
FIG. 5 is a front view thereof, the opposite side being a mirror image of the side shown herein;
FIG. 6 is a left side view thereof;
FIG. 7 is a right side view thereof; and,
FIG. 8 is a top view thereof.

1 Claim, 4 Drawing Sheets



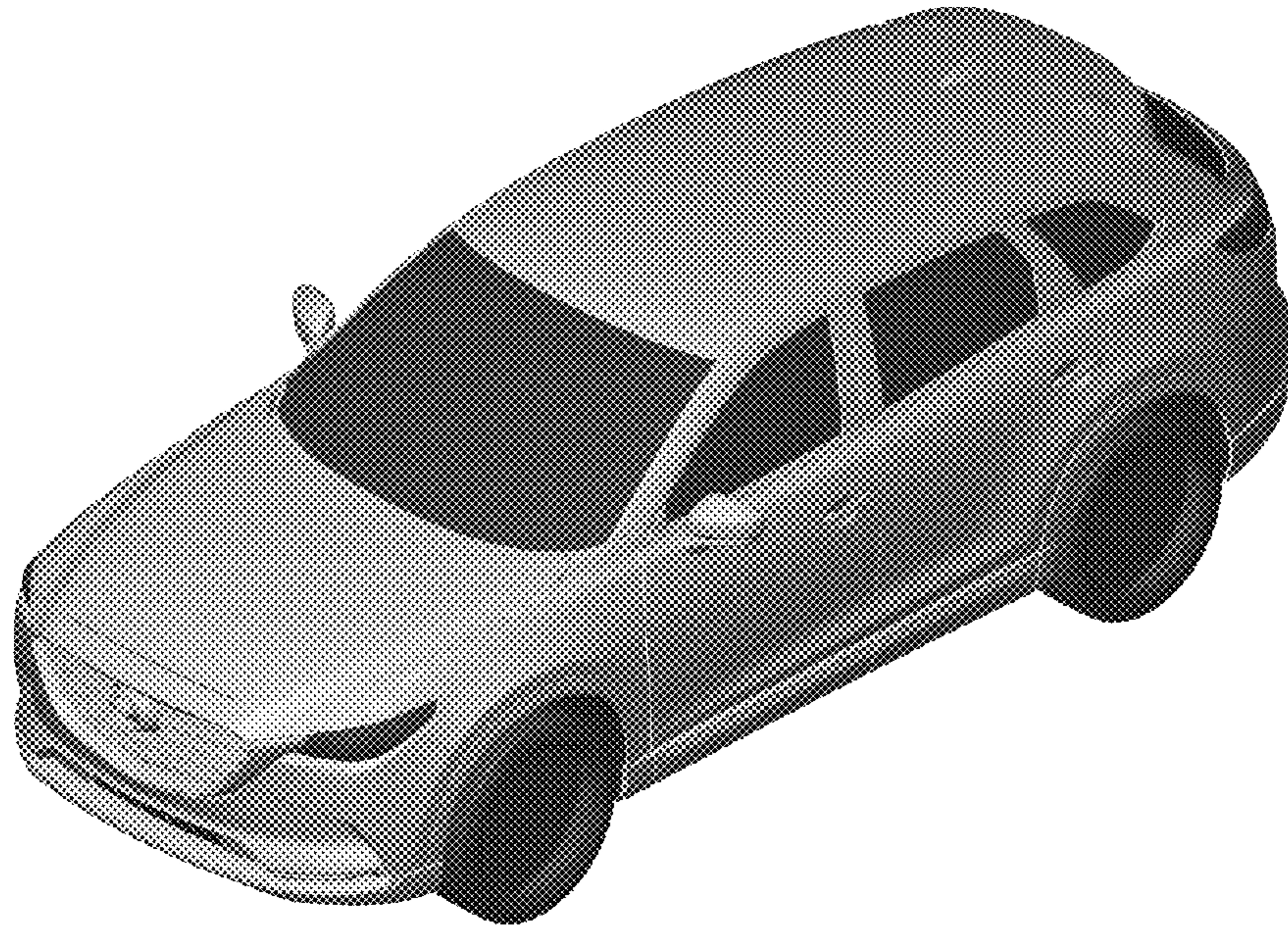


FIG. 1



FIG. 2

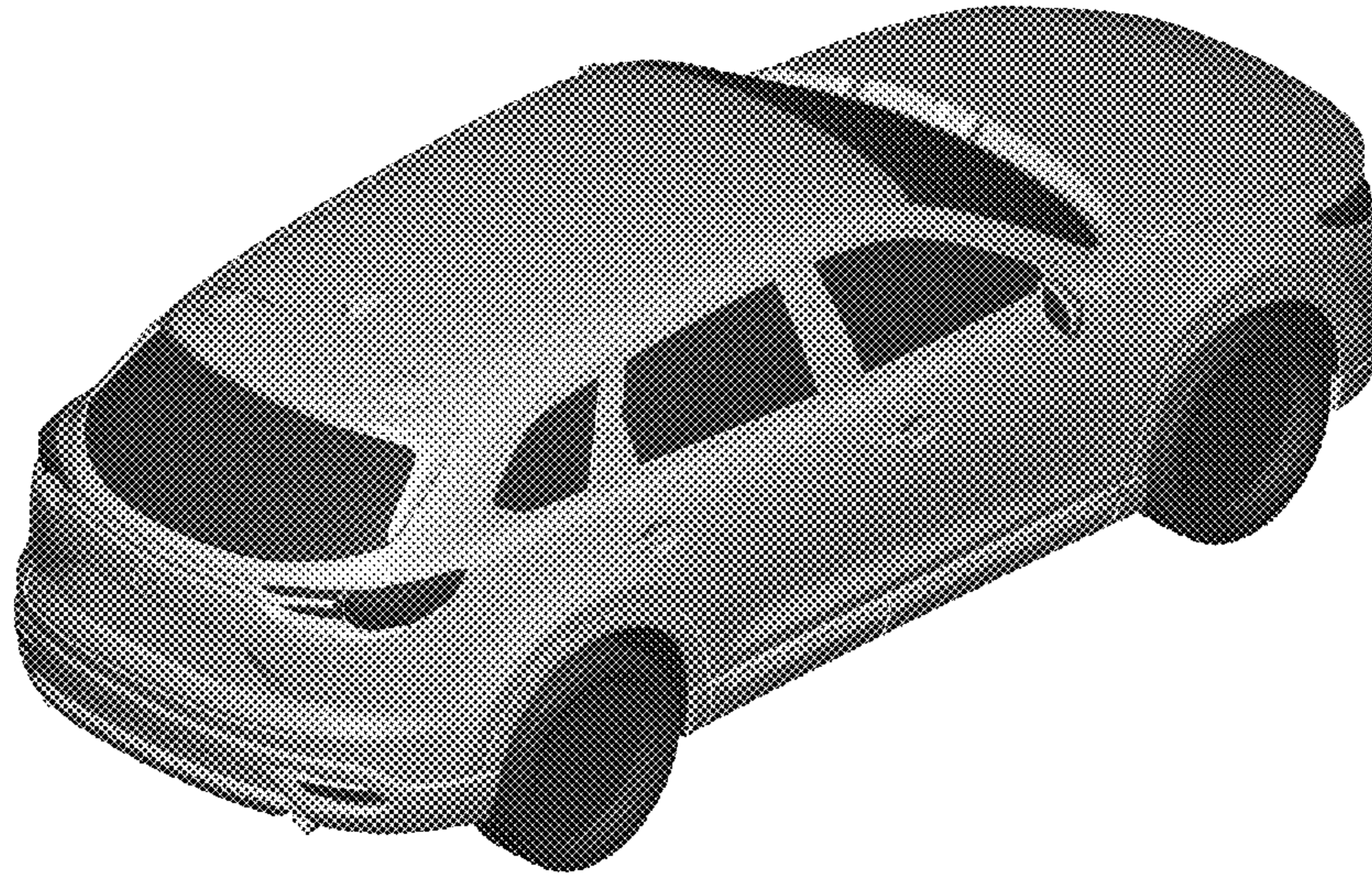


FIG.3

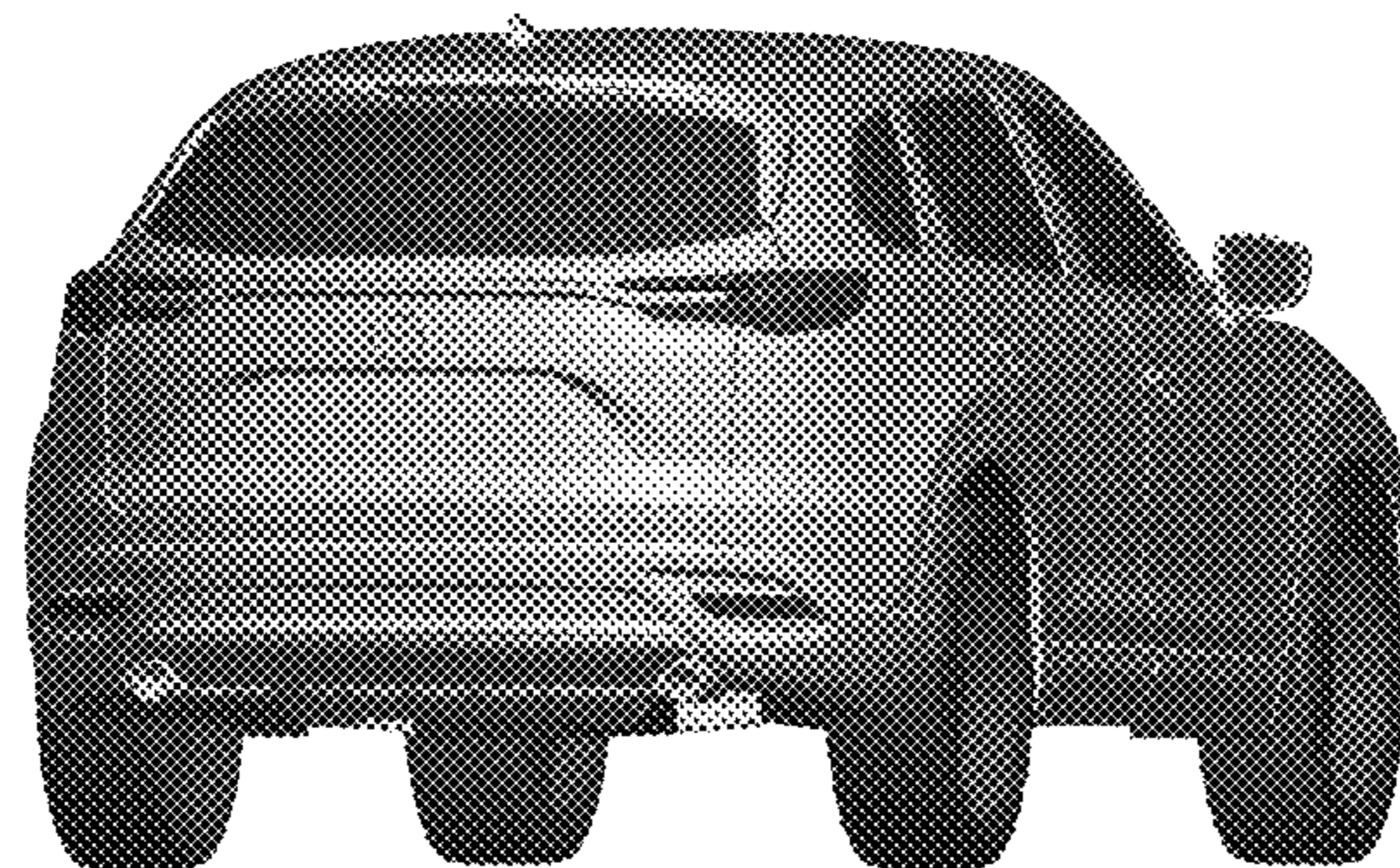


FIG.4

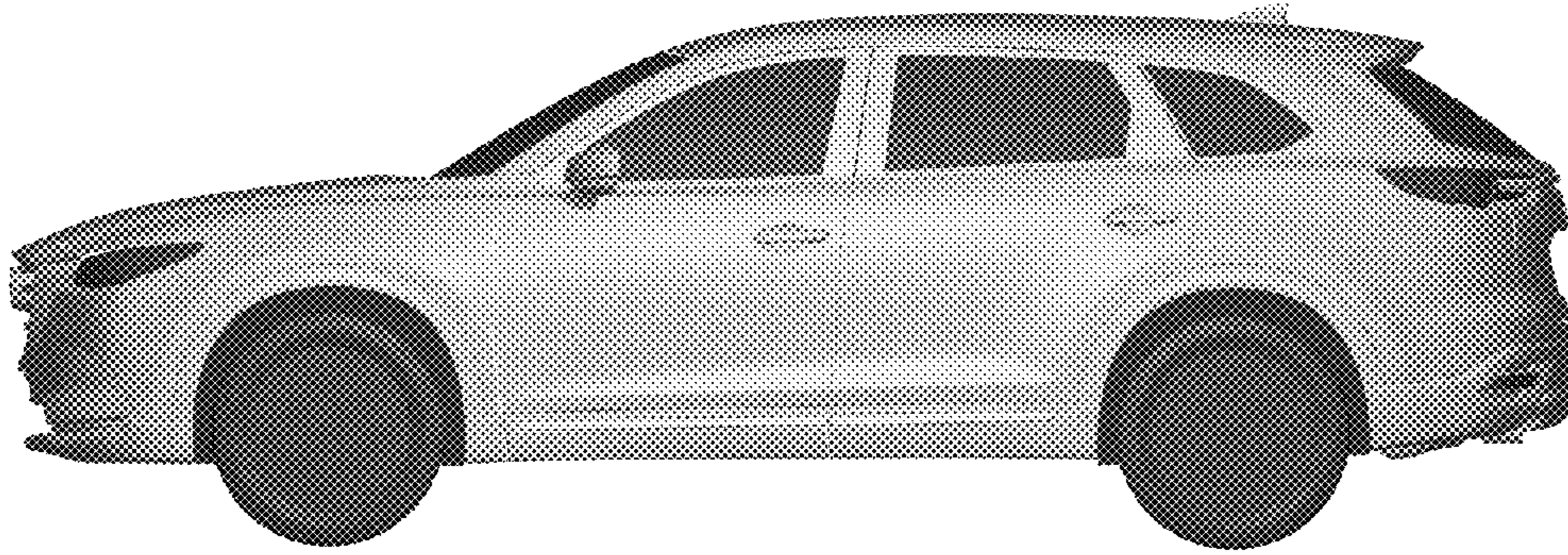


FIG. 5



FIG. 6

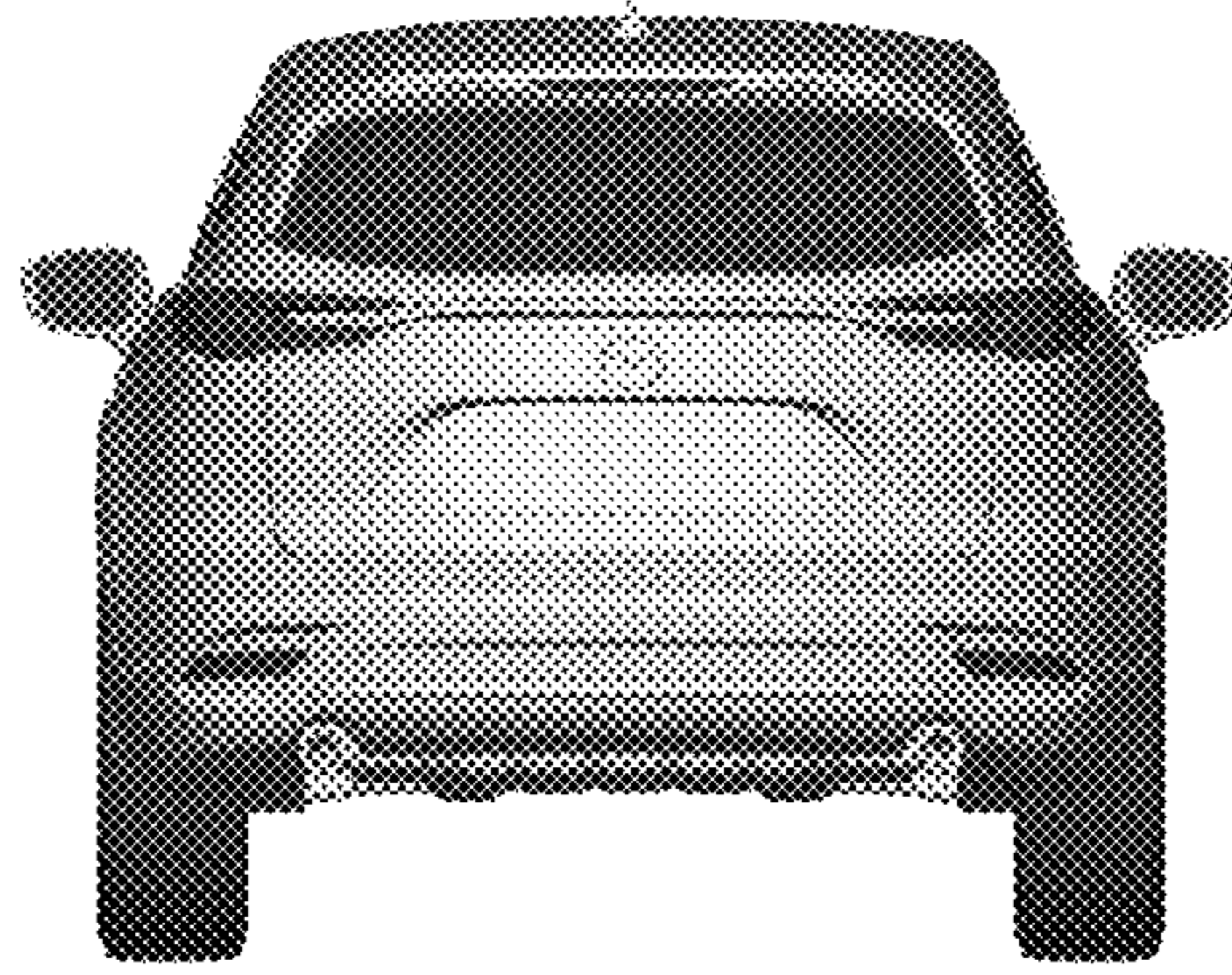


FIG.7

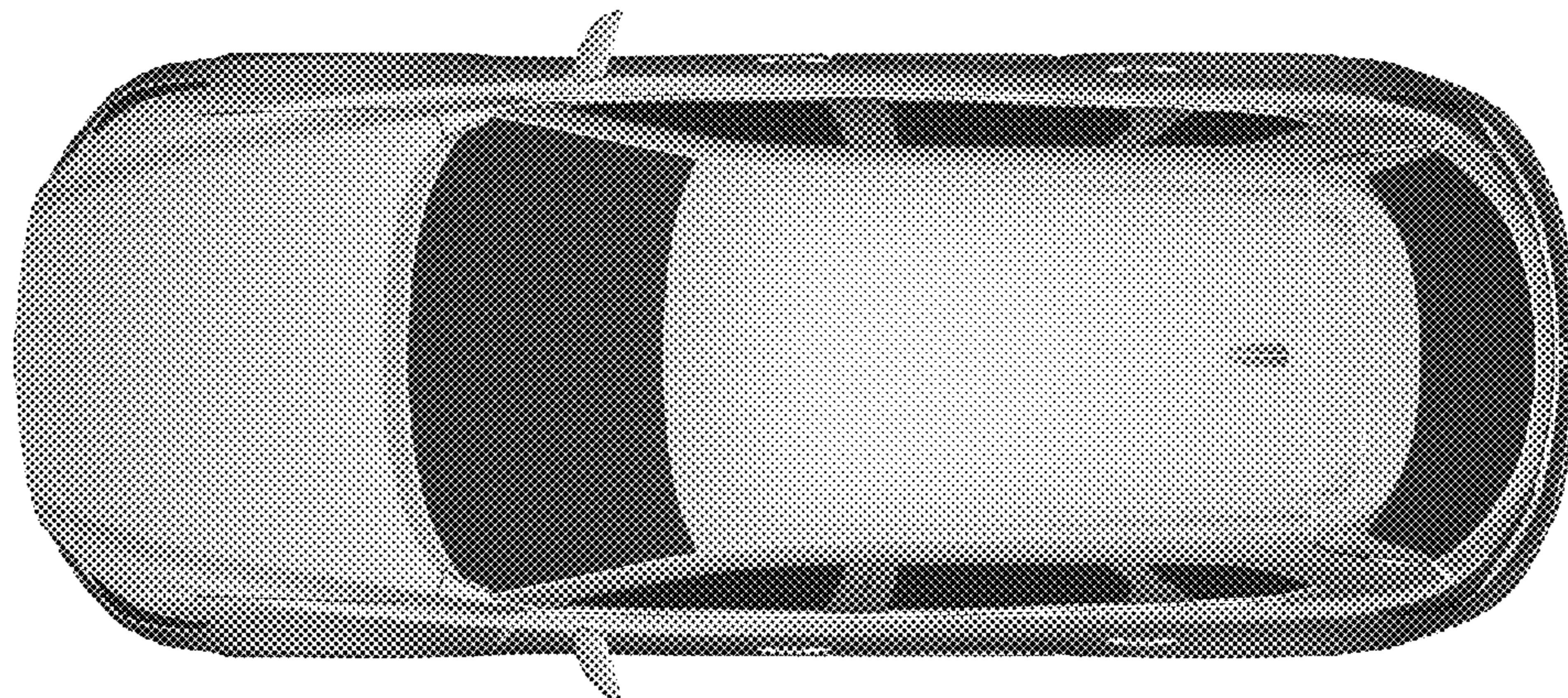


FIG.8