



US00D765545S

(12) **United States Design Patent**
Oh et al.

(10) **Patent No.:** **US D765,545 S**

(45) **Date of Patent:** **** Sep. 6, 2016**

(54) **AUTOMOBILE**

(71) Applicant: **Kia Motors Corporation**, Seoul (KR)

(72) Inventors: **Yun Seok Oh**, Gyeonggi-do (KR); **Ji Hyeong Kim**, Gyeonggi-do (KR)

(73) Assignee: **Kia Motors Corporation**, Seoul (KR)

(**) Term: **14 Years**

(21) Appl. No.: **29/512,182**

(22) Filed: **Dec. 17, 2014**

(30) **Foreign Application Priority Data**

Jul. 10, 2014 (KR) 30-2014-0033775

(51) **LOC (10) Cl.** **12-08**

(52) **U.S. Cl.**
USPC **D12/91**

(58) **Field of Classification Search**
USPC D12/86, 90-92, 88; D21/421, 433, 434;
296/181.1, 181.5
CPC B62D 35/00; B62D 25/00; B62D 25/06;
B62D 33/00
See application file for complete search history.

(56) **References Cited**

U.S. PATENT DOCUMENTS

D690,619 S * 10/2013 Jelec D12/91
D719,875 S * 12/2014 Jang D12/91

D731,922 S * 6/2015 Beaven D12/91
D731,923 S * 6/2015 Tanaka D12/91
D754,031 S * 4/2016 Talsma D12/91

* cited by examiner

Primary Examiner — Melody N Brown

(74) *Attorney, Agent, or Firm* — Mintz Levin Cohn Ferris
Glovsky and Popeo, P.C.; Kongsik Kim

(57) **CLAIM**

The ornamental design for an automobile, as shown and described.

DESCRIPTION

FIG. 1 is a perspective view of an automobile according to the present invention.

FIG. 2 is a front view of the automobile of FIG. 1.

FIG. 3 is a rear view of the automobile of FIG. 1.

FIG. 4 is a left side view of the automobile of FIG. 1.

FIG. 5 is a right side view of the automobile of FIG. 1; and,

FIG. 6 is a top view of the automobile of FIG. 1.

A bottom view is omitted since it does not contain ornamental features.

1 Claim, 6 Drawing Sheets



FIG. 1



FIG. 2

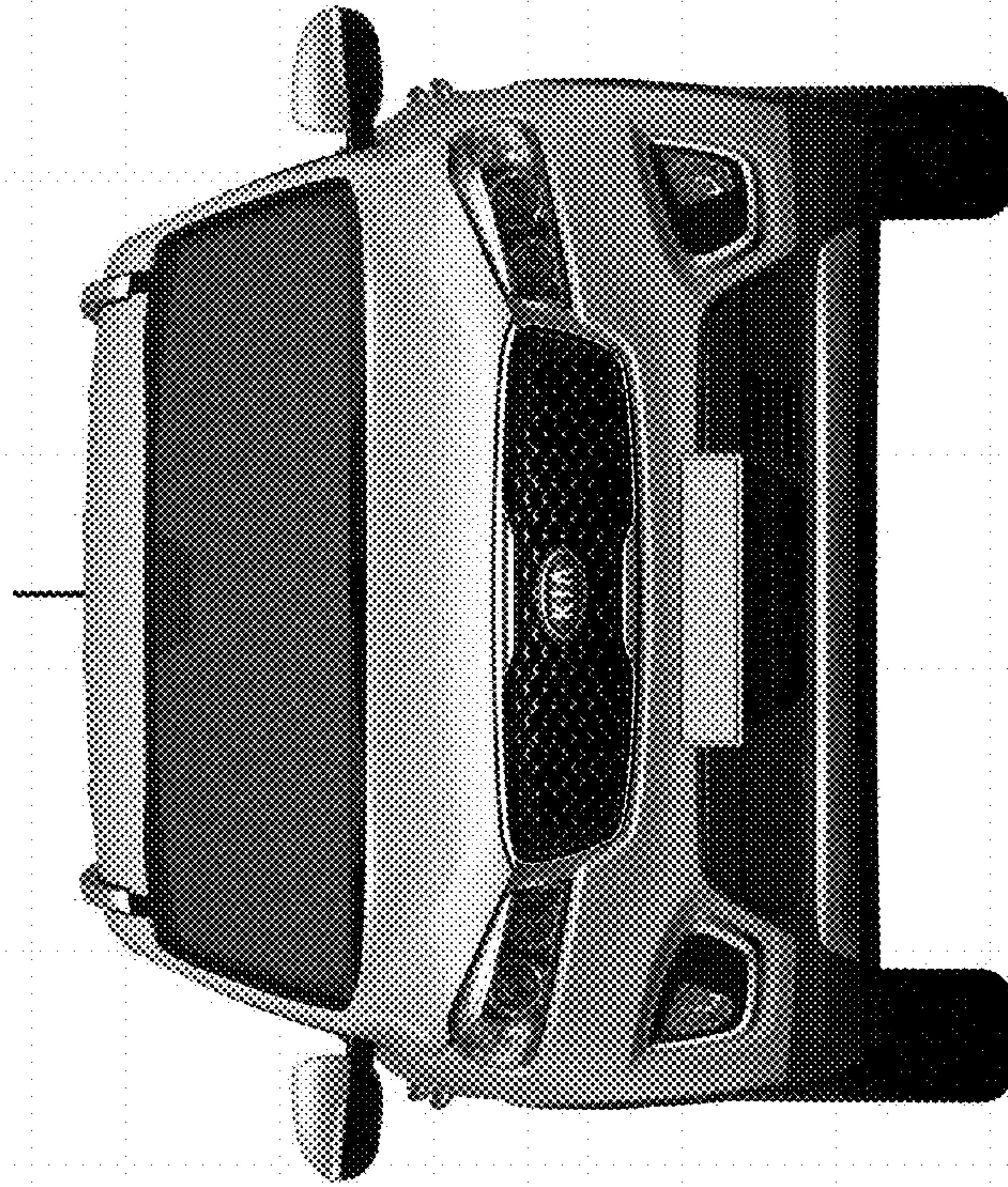


FIG. 3



FIG. 4

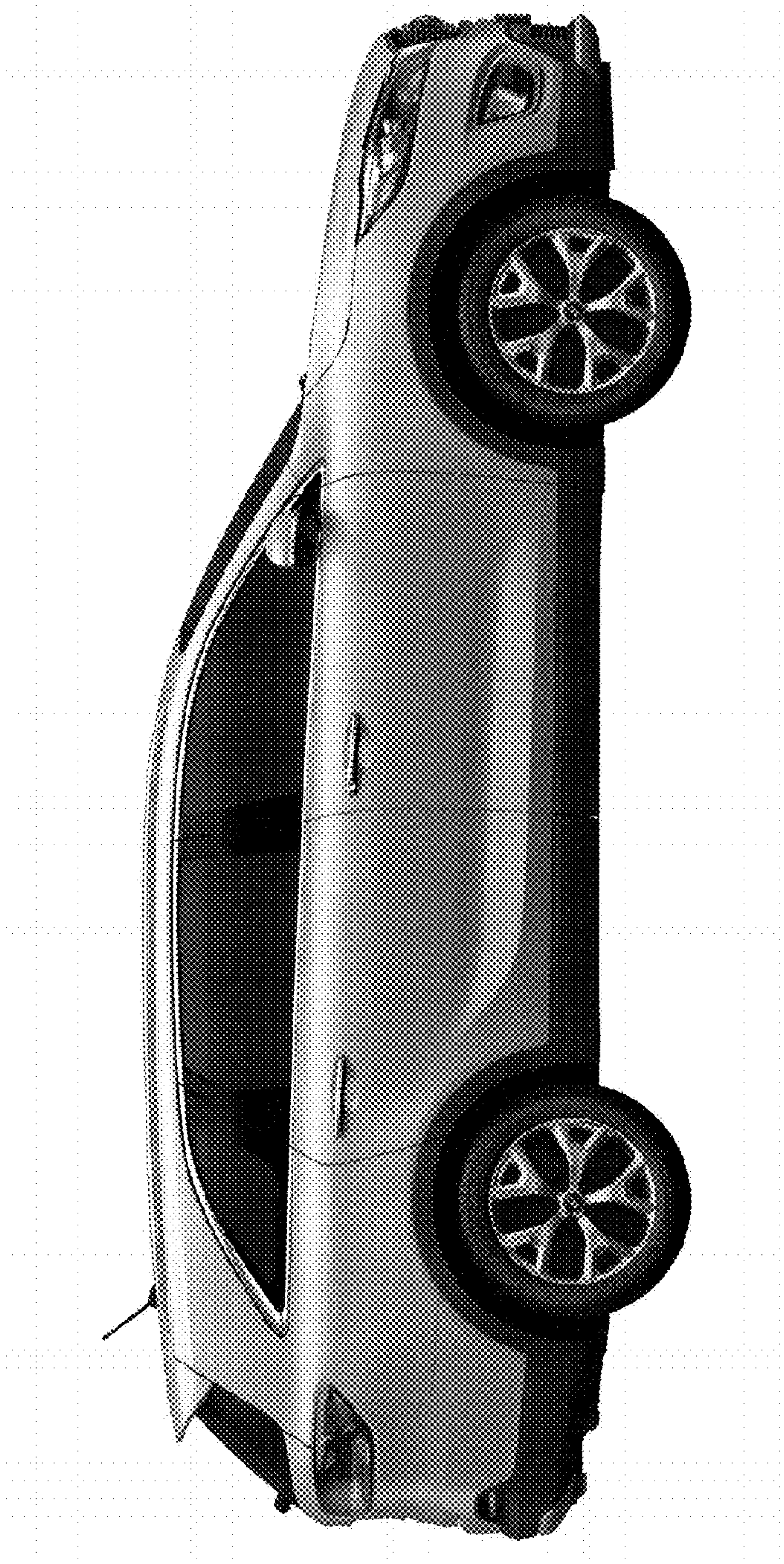


FIG. 5

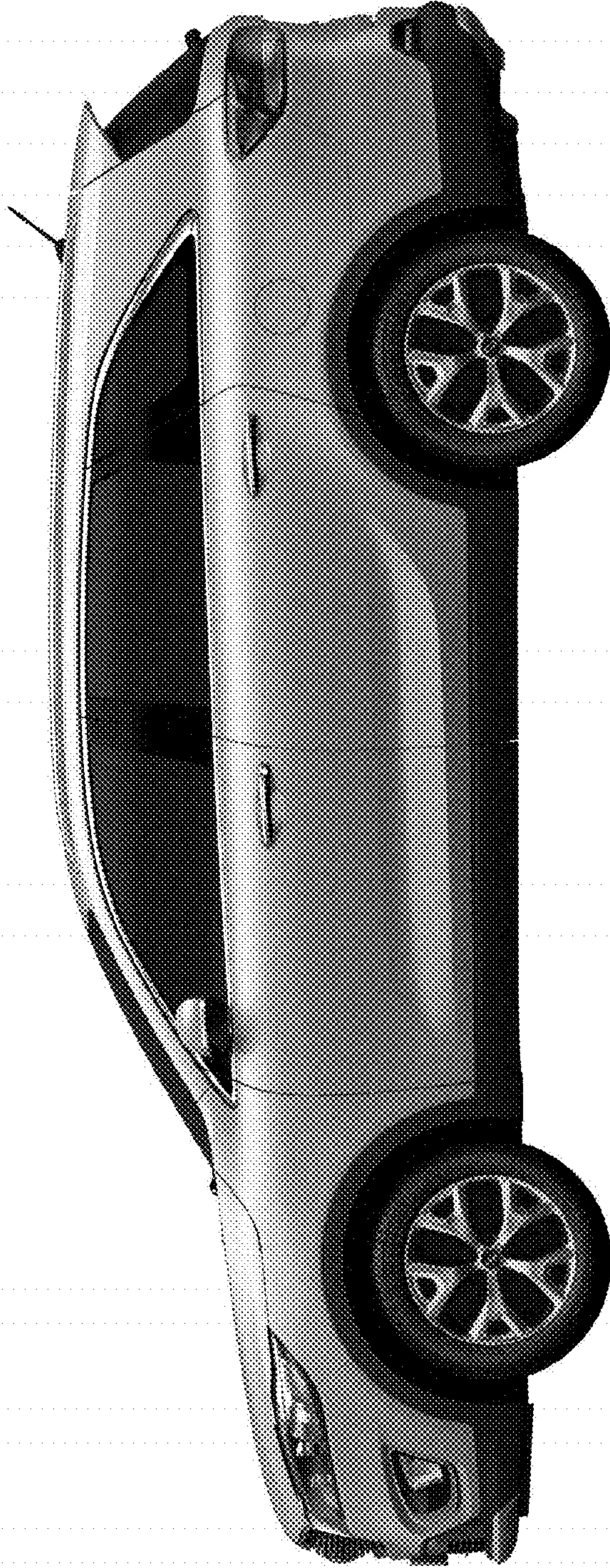


FIG. 6

