

US00D765544S

(12) **United States Design Patent** (10) **Patent No.:** **US D765,544 S**
DeYoung et al. (45) **Date of Patent:** **** Sep. 6, 2016**

- (54) **PLANT CONTAINER** 5,481,826 A * 1/1996 Dickinson A01G 9/04
47/39
- (71) Applicant: **East Jordan Plastics, Inc.**, East Jordan, MI (US) D369,717 S * 5/1996 Chiba D7/354
D392,914 S 3/1998 Friend
- (72) Inventors: **Shawn DeYoung**, Saugatuck, MI (US); D393,817 S 4/1998 Folley
Mark Lercel, East Jordan, MI (US); D394,189 S 5/1998 Reynaert et al.
Nathan Diller, East Jordan, MN (US) D394,827 S 6/1998 Ruthenberg
D423,406 S 4/2000 Grosfillex
D426,490 S 6/2000 Grosfillex
D478,474 S * 8/2003 Zettle D7/545
D488,401 S 4/2004 Gutierrez
- (73) Assignee: **East Jordan Plastics, Inc.**, East Jordan, MI (US) 6,986,437 B2 1/2006 Jalet
D526,161 S * 8/2006 Roth D7/540
D527,224 S * 8/2006 Roth D7/540
D527,951 S * 9/2006 Roth D7/540
D527,952 S * 9/2006 Roth D7/540
D539,094 S * 3/2007 Wasserman D7/584
D542,098 S 5/2007 Wasserman et al.
D552,319 S 10/2007 Gusdorf
D568,688 S 5/2008 Wasserman et al.
- (**) Term: **15 Years**
- (21) Appl. No.: **29/530,226**
- (22) Filed: **Jun. 15, 2015**

Related U.S. Application Data

- (62) Division of application No. 29/494,075, filed on Jun. 17, 2014, now Pat. No. Des. 734,205.
- (51) **LOC (10) Cl.** **11-02**
- (52) **U.S. Cl.**
USPC **D11/152**
- (58) **Field of Classification Search**
USPC D6/403-405, 556-558; D11/143-156,
D11/164; D7/545, 584, 587; 47/67
CPC A01G 9/02; A01G 9/021; A01G 9/023;
A01G 9/024; A01G 9/028; A01G 9/04;
A01G 9/042; A01G 9/14
See application file for complete search history.

References Cited

U.S. PATENT DOCUMENTS

- D150,258 S 7/1948 Rosenberg
- D213,492 S * 3/1969 Beeman 220/DIG. 13
- 3,758,986 A 9/1973 Roberts
- 4,219,967 A 9/1980 Hickerson
- D340,204 S 10/1993 Grosfillex
- D353,518 S * 12/1994 Cautereels D30/129
- D360,166 S 7/1995 Grosfillex

(Continued)

Primary Examiner — Elizabeth Albert

(74) *Attorney, Agent, or Firm* — Gardner, Linn, Burkhardt & Flory, LLP

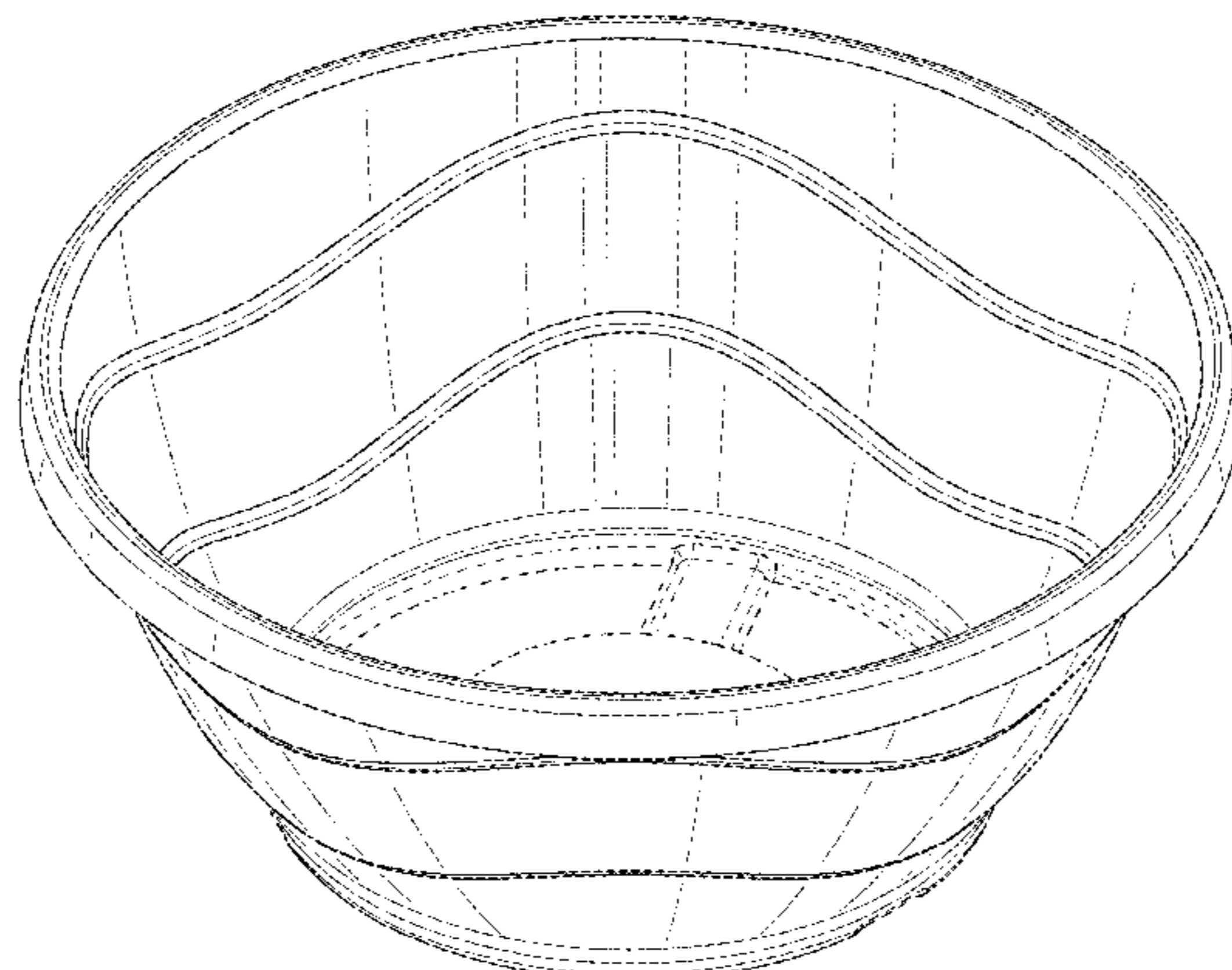
(57) **CLAIM**

The ornamental design for the plant container, as shown and described.

DESCRIPTION

FIG. 1 is a top perspective view of a plant container showing our new design;
 FIG. 2 is a right side view thereof;
 FIG. 3 is a left side view thereof;
 FIG. 4 is a front view thereof;
 FIG. 5 is a back view thereof;
 FIG. 6 is a top plan view thereof; and,
 FIG. 7 is a bottom plan view thereof.
 The broken lines in FIGS. 1-7 are included to show portions of the plant container that form no part of the claimed design.

1 Claim, 5 Drawing Sheets



(56)

References Cited

U.S. PATENT DOCUMENTS

D578,830 S	10/2008	Freeman	
D578,929 S	10/2008	White	
D578,930 S	10/2008	White	
D579,375 S	10/2008	White	
D596,074 S	7/2009	Bodum	
D612,201 S	3/2010	Hillebrenner	
D614,991 S *	5/2010	White	D11/152
D615,356 S	5/2010	Hillebrenner	
D631,782 S	2/2011	White	
D631,783 S	2/2011	White	
D636,230 S	4/2011	Koennecke	
D640,100 S	6/2011	Shing	
D651,866 S	1/2012	Smyers	
D665,300 S	8/2012	Pedersen et al.	
D670,136 S	11/2012	Williams et al.	
D684,855 S	6/2013	BeVier et al.	
D696,938 S	1/2014	BeVier et al.	
D697,372 S	1/2014	Everingham et al.	
D697,761 S	1/2014	Uchida	
D699,149 S *	2/2014	Wolff	D11/153
8,794,440 B2	8/2014	BeVier et al.	
D734,205 S *	7/2015	DeYoung	D11/152
D742,203 S *	11/2015	Thuma	D8/356
D748,948 S *	2/2016	Klag	D7/560
D749,910 S *	2/2016	Klag	D7/560
2011/0203175 A1	8/2011	Horito et al.	
2013/0264921 A1	10/2013	Kumar	

* cited by examiner

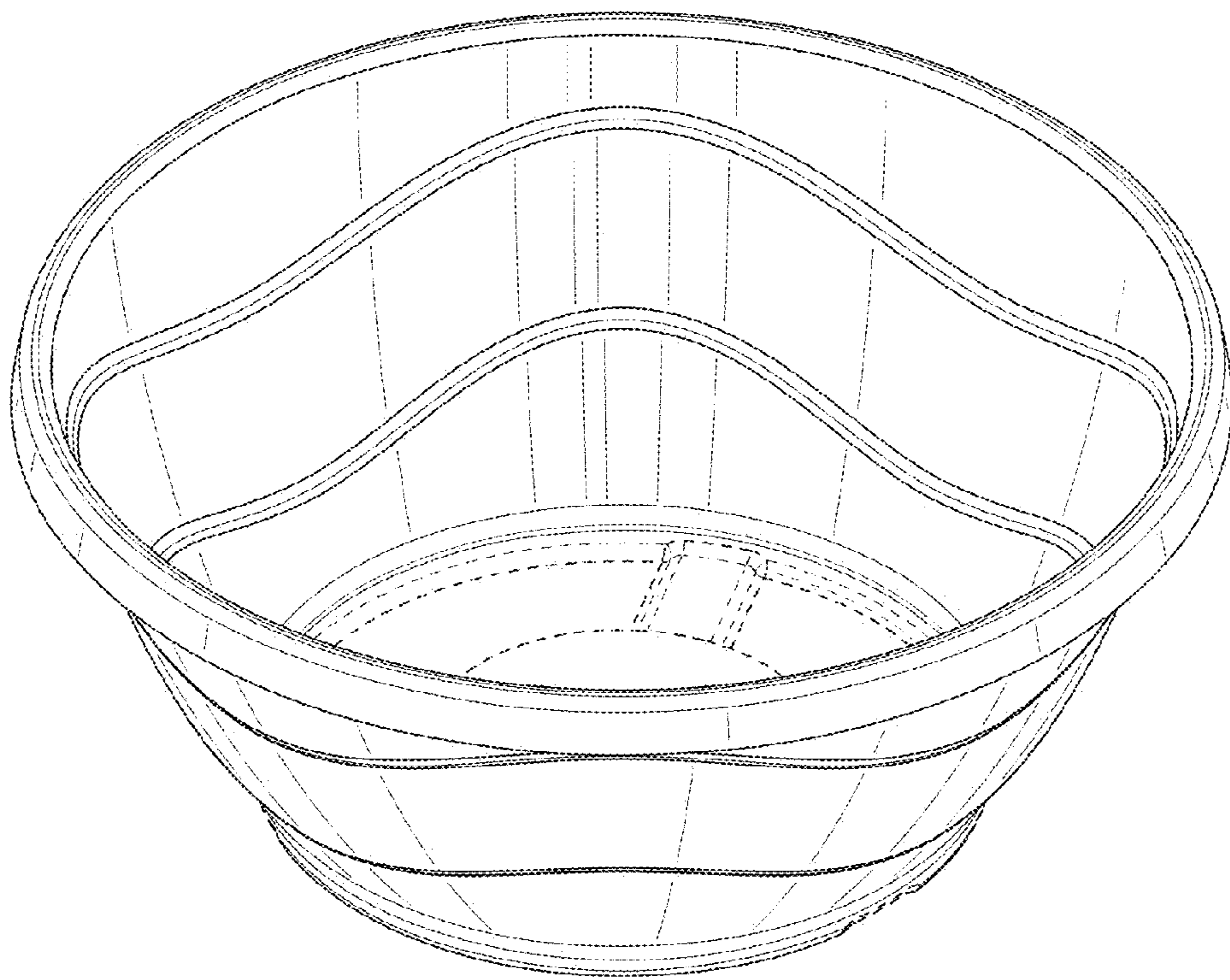


FIG. 1

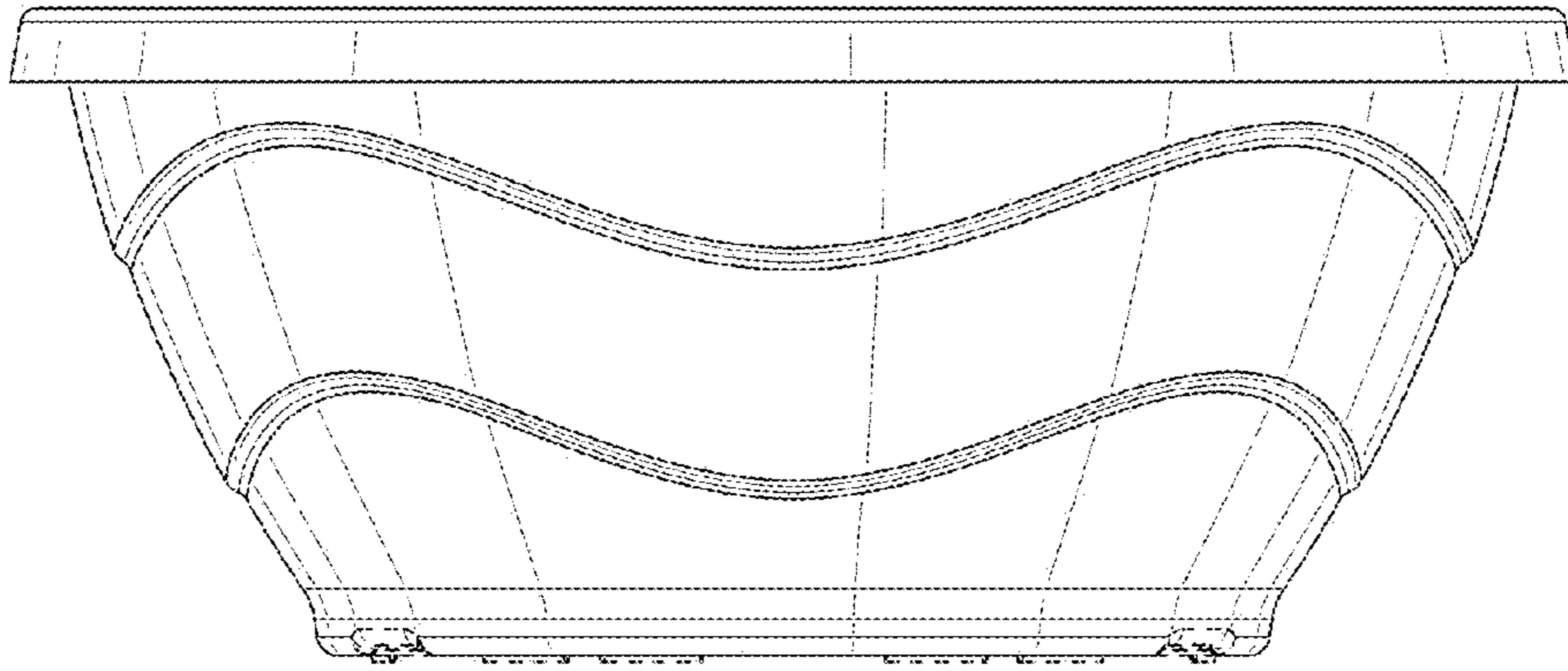


FIG. 2

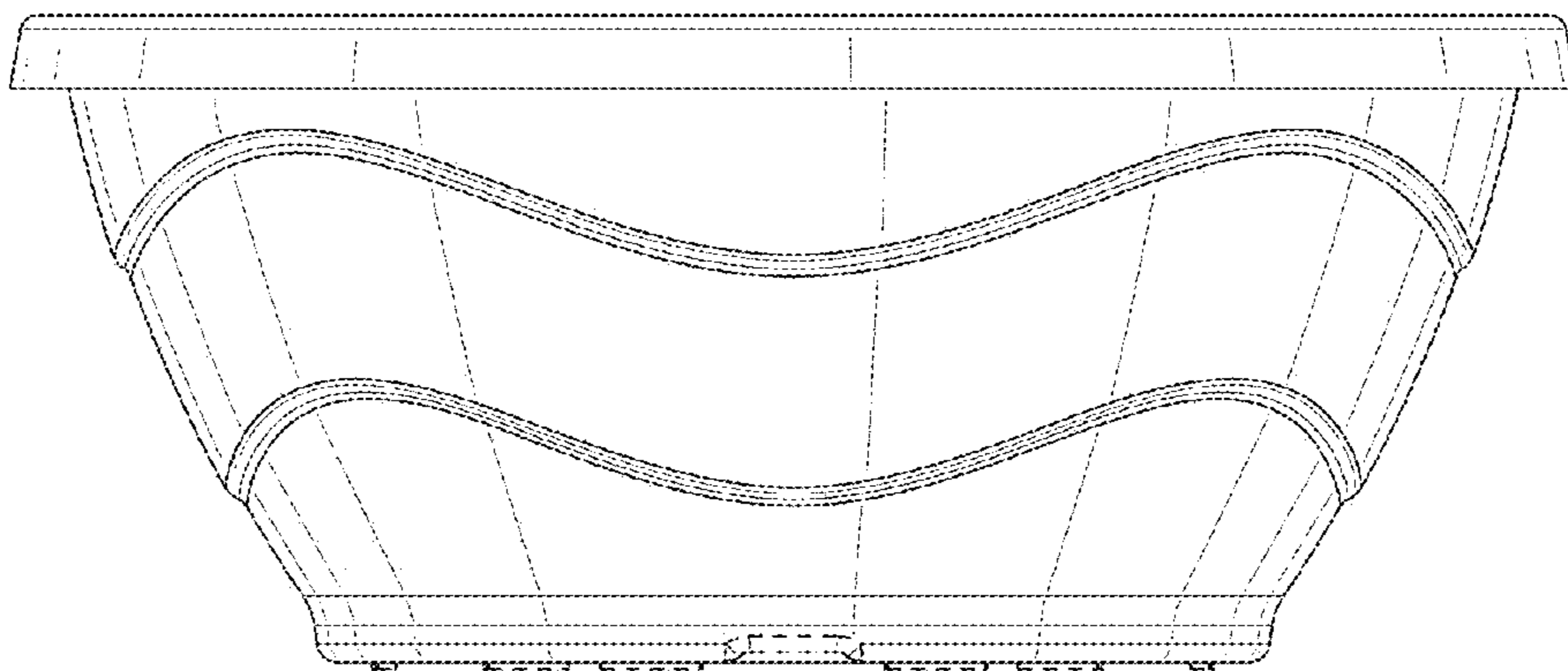


FIG. 3

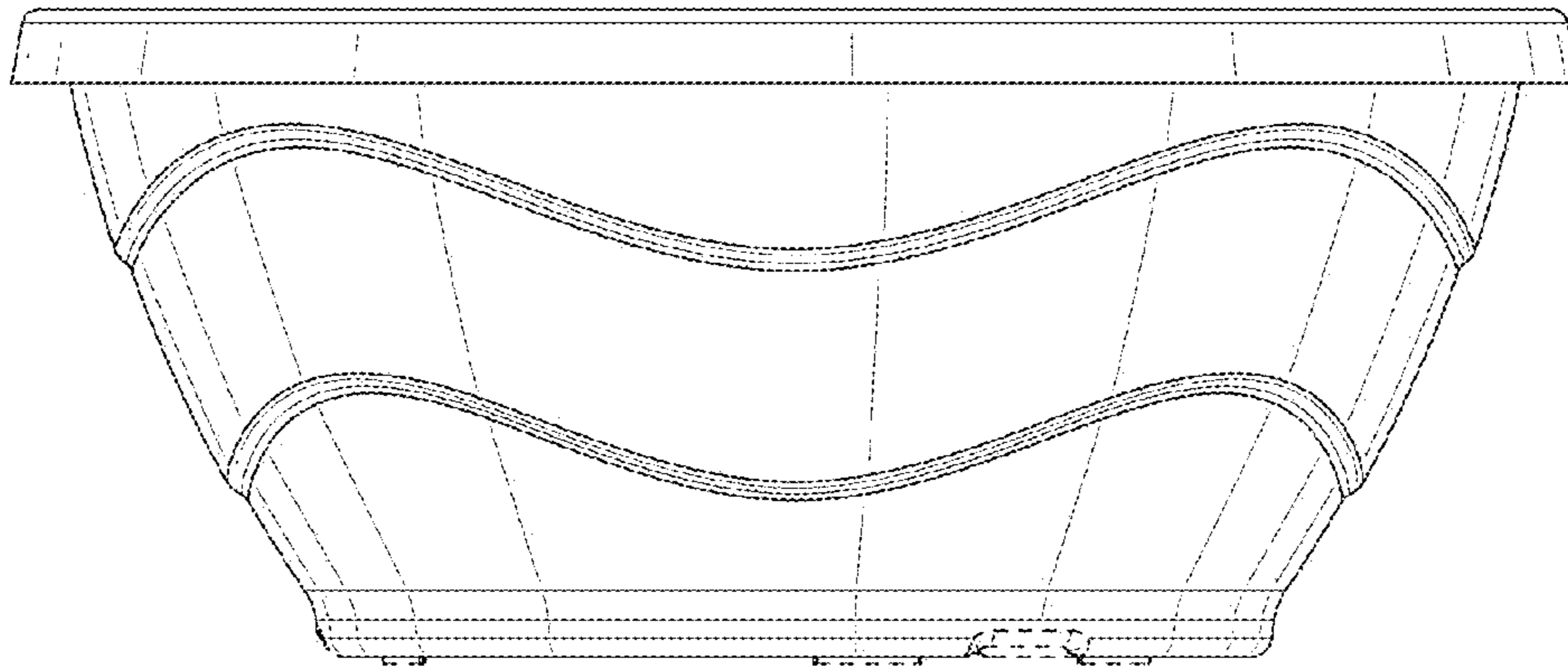


FIG. 4

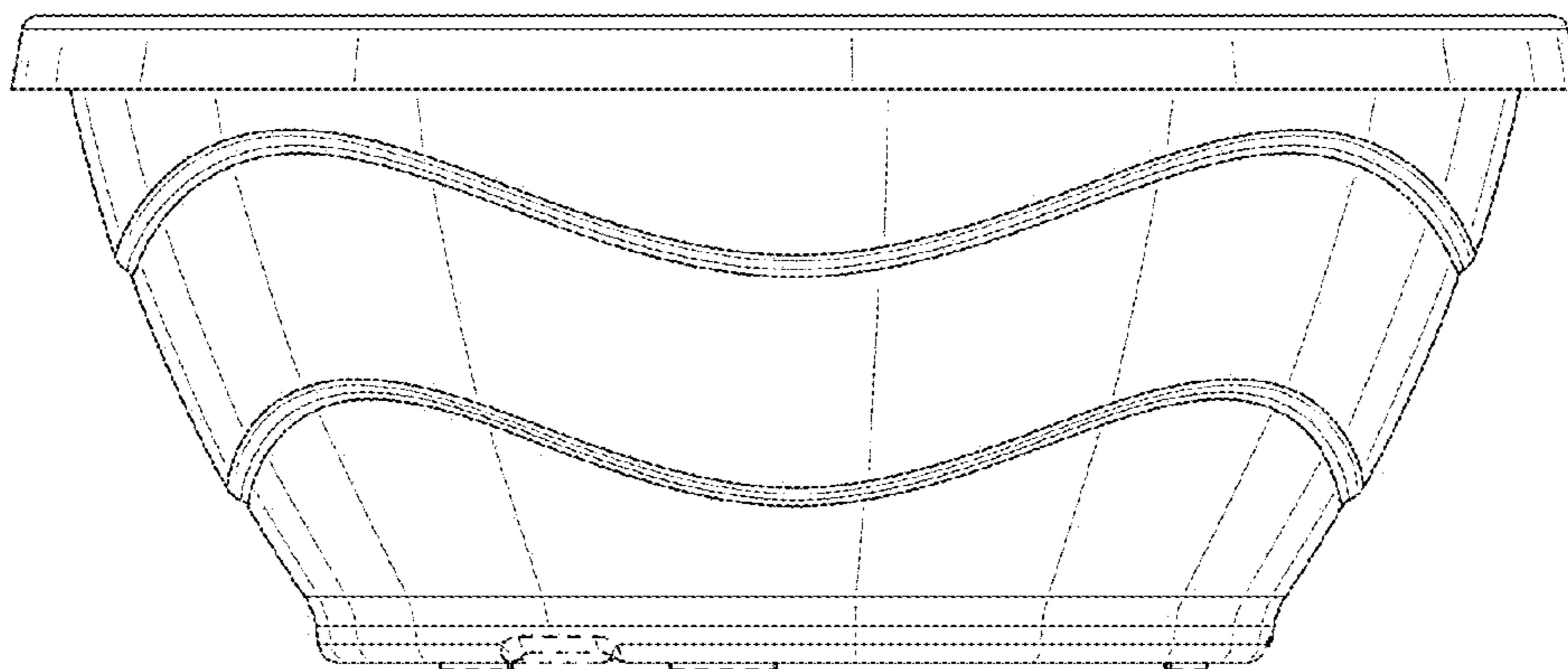


FIG. 5

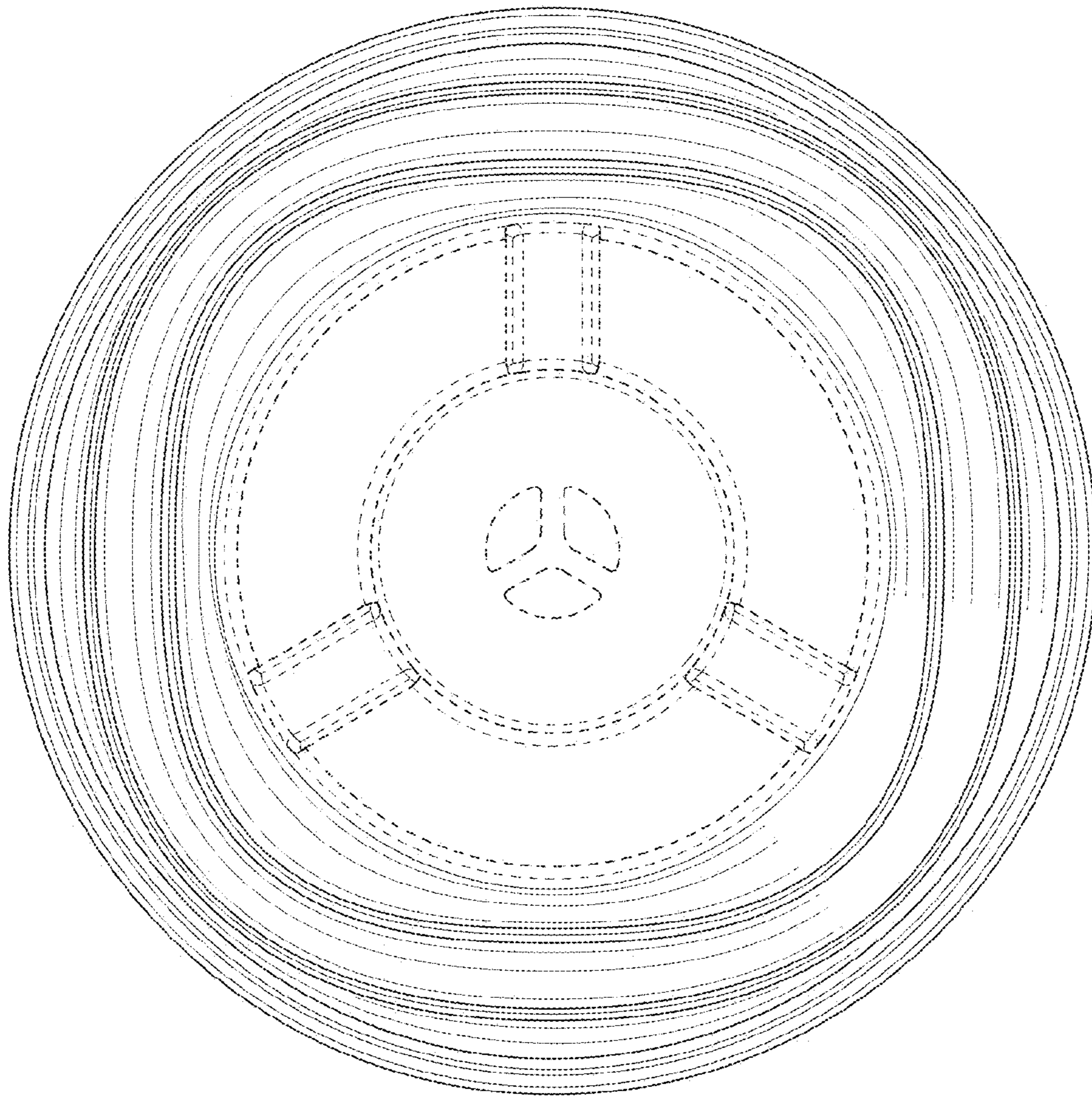


FIG. 6

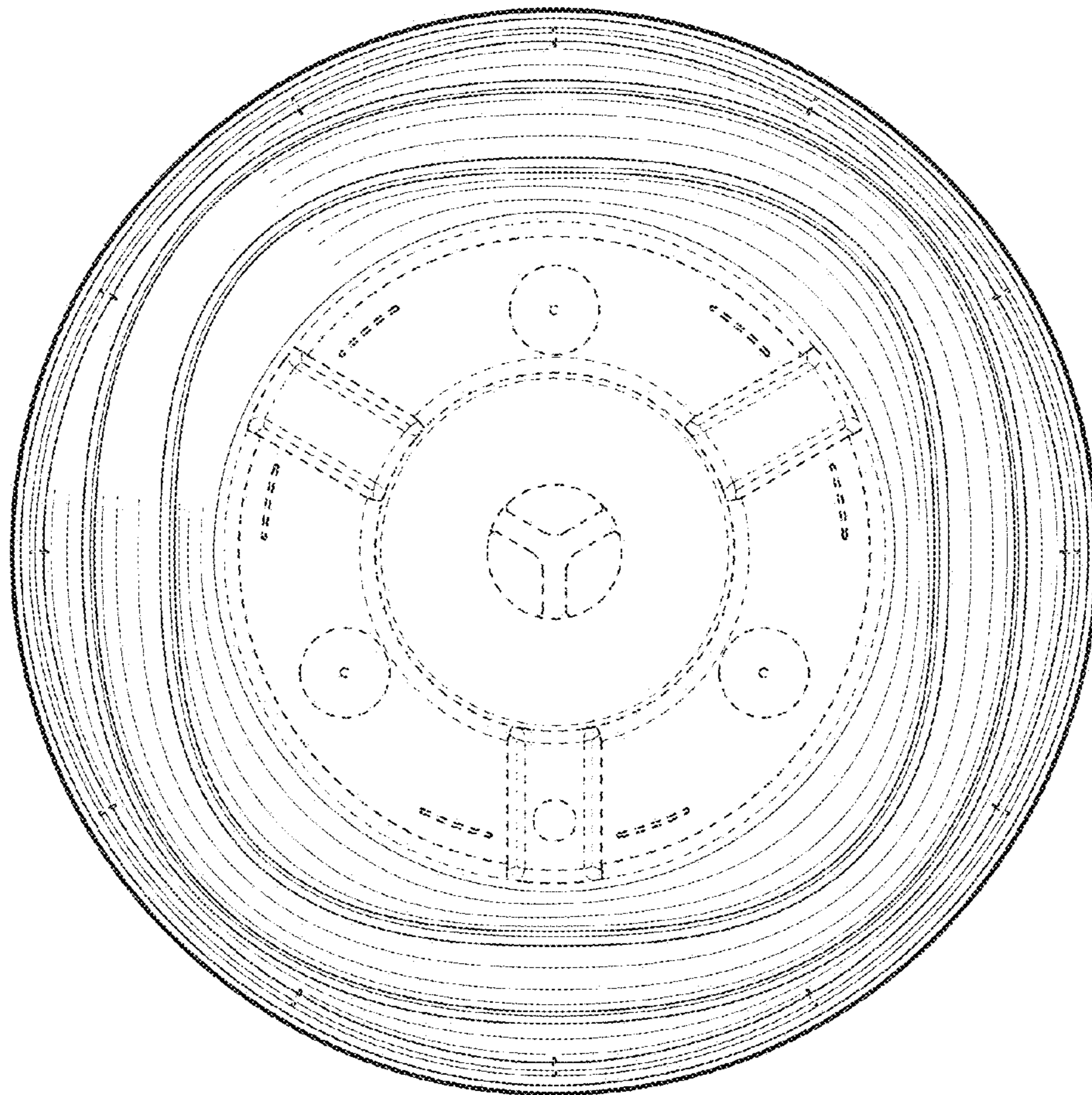


FIG. 7

UNITED STATES PATENT AND TRADEMARK OFFICE
CERTIFICATE OF CORRECTION

PATENT NO. : D765,544 S
APPLICATION NO. : 29/530226
DATED : September 6, 2016
INVENTOR(S) : Shawn DeYoung et al.

Page 1 of 1

It is certified that error appears in the above-identified patent and that said Letters Patent is hereby corrected as shown below:

TITLE PAGE

(72) "Nathan Diller, East Jordan, MN (US)" should be --Nathan Diller, East Jordan, MI (US)--

Signed and Sealed this
Eighth Day of November, 2016



Michelle K. Lee
Director of the United States Patent and Trademark Office