



US00D765535S

(12) **United States Design Patent** (10) **Patent No.:** **US D765,535 S**
Nyaggah (45) **Date of Patent:** **** Sep. 6, 2016**

(54) **BRACELET**
(71) Applicant: **Rastaclat, LLC**, Long Beach, CA (US)
(72) Inventor: **Daniel Kasidi Nyaggah**, Long Beach, CA (US)
(73) Assignee: **Rastaclat, LLC**, Long Beach, CA (US)
(**) Term: **15 Years**
(21) Appl. No.: **29/555,779**
(22) Filed: **Feb. 24, 2016**

D491,832 S * 6/2004 Gordon D11/26
D573,056 S * 7/2008 Sterling D11/11
D601,913 S * 10/2009 Cappellieri D11/26
D602,799 S * 10/2009 Colombani D11/3
D630,963 S * 1/2011 Papadimitriou D11/4
D635,478 S * 4/2011 Ventura D11/26
D700,860 S * 3/2014 Nadeau D11/5
D713,283 S * 9/2014 Nghiem D11/3
D719,043 S * 12/2014 McKivergan D11/5
D719,044 S * 12/2014 Kasidi D11/5
D723,966 S * 3/2015 Kasidi D11/5
D724,471 S * 3/2015 Blondet D11/5
D724,473 S * 3/2015 Blondet D11/5
D754,021 S * 4/2016 Nyaggah D11/5
2011/0048072 A1* 3/2011 Mullen A43C 9/02
63/3.1

Related U.S. Application Data

(62) Division of application No. 29/517,313, filed on Feb. 11, 2015, now Pat. No. Des. 754,021.
(51) **LOC (10) Cl.** **11-01**
(52) **U.S. Cl.**
USPC **D11/5**
(58) **Field of Classification Search**
USPC D11/1-26; D10/70, 98, 32; D24/167;
D14/344
CPC A44C 5/00; A44C 5/0007; A44C 5/0015;
A44C 55/0023; A44C 5/003; A44C 5/0038;
A44C 5/0053; A44C 5/0061; A44C 5/0069;
A44C 5/0076; A44C 5/0084; A44C 5/0092;
A44C 5/20; A61B 5/02405
See application file for complete search history.

OTHER PUBLICATIONS

[Online] <http://store.rastaclat.com/all-products/knotaclat-rose/>.
Retrieved Jun. 6, 2016.*

* cited by examiner

Primary Examiner — Garth Rademaker
Assistant Examiner — Melanie Pellegrini
(74) *Attorney, Agent, or Firm* — Buchalter Nemer

CLAIM

(57) The ornamental design for a bracelet, as shown and described.

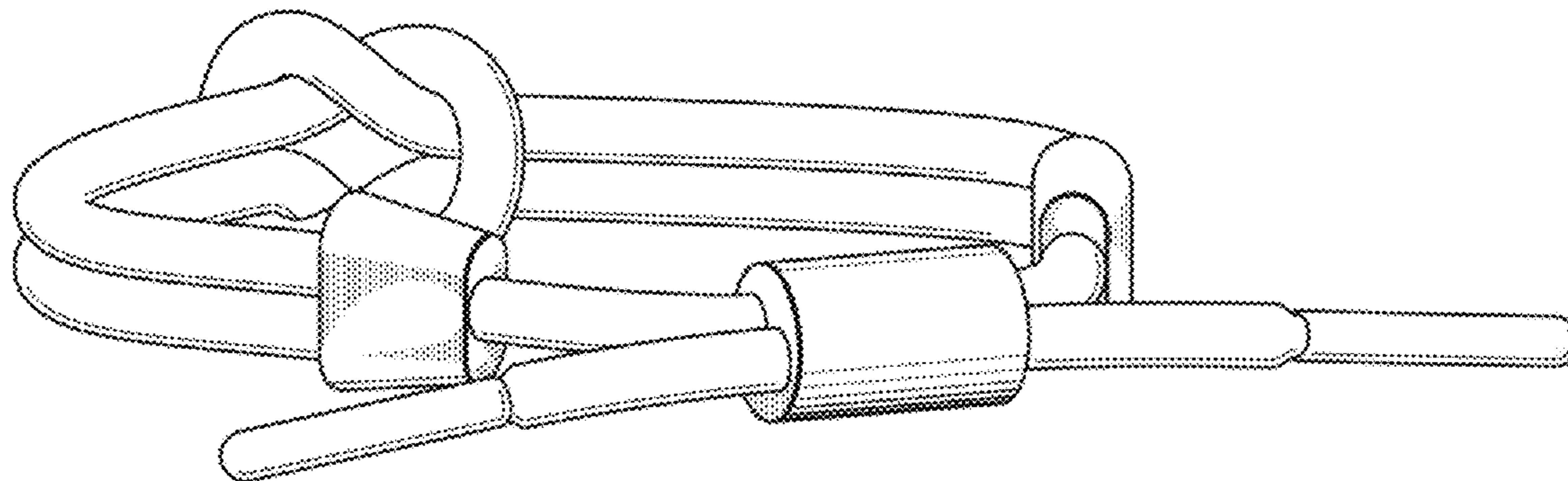
DESCRIPTION

FIG. 1 is a top, front, left side perspective view;
FIG. 2 is a top plan view;
FIG. 3 is a bottom plan view;
FIG. 4 is a front elevation view;
FIG. 5 is a left side elevation view; and,
FIG. 6 is a right side elevation view.
The broken lines shown in the drawings represent portions of the bracelet which form no part of the claimed design.

1 Claim, 2 Drawing Sheets

(56) **References Cited**
U.S. PATENT DOCUMENTS

D30,922 S * 5/1899 Deitsch D2/634
D108,250 S * 2/1938 Sternberg D11/26
D163,991 S * 7/1951 Chernow D11/8
D254,637 S * 4/1980 Moore D11/3
5,073,989 A * 12/1991 Teague F16G 11/02
2/181
D479,393 S * 9/2003 Weitzman D19/59



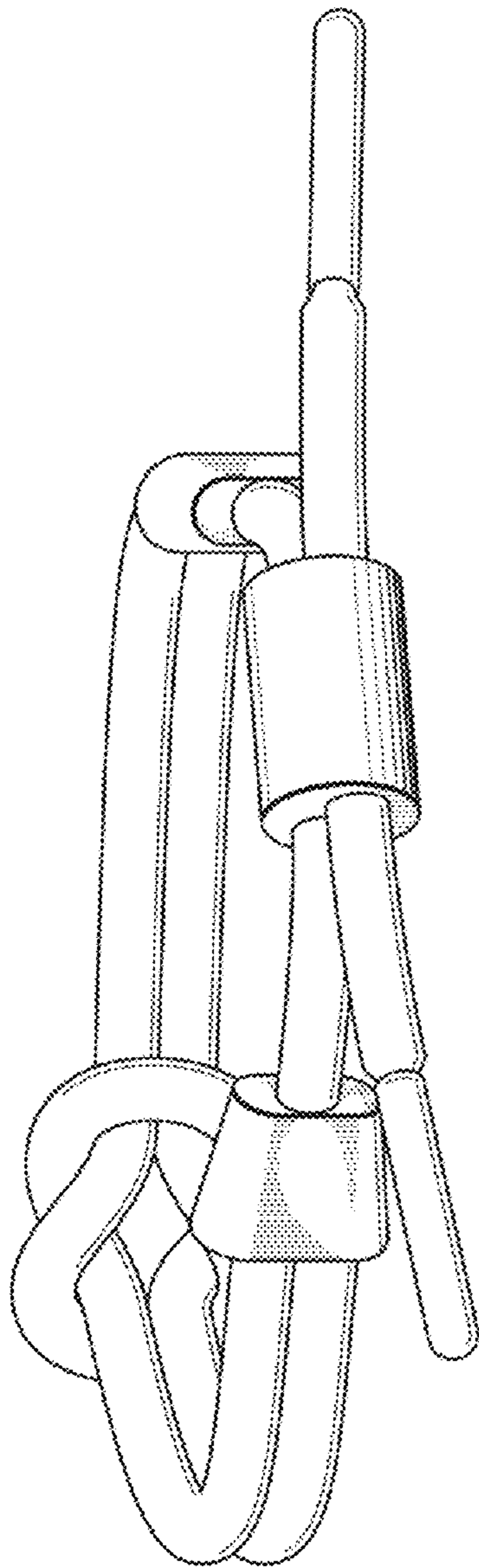


FIG. 1

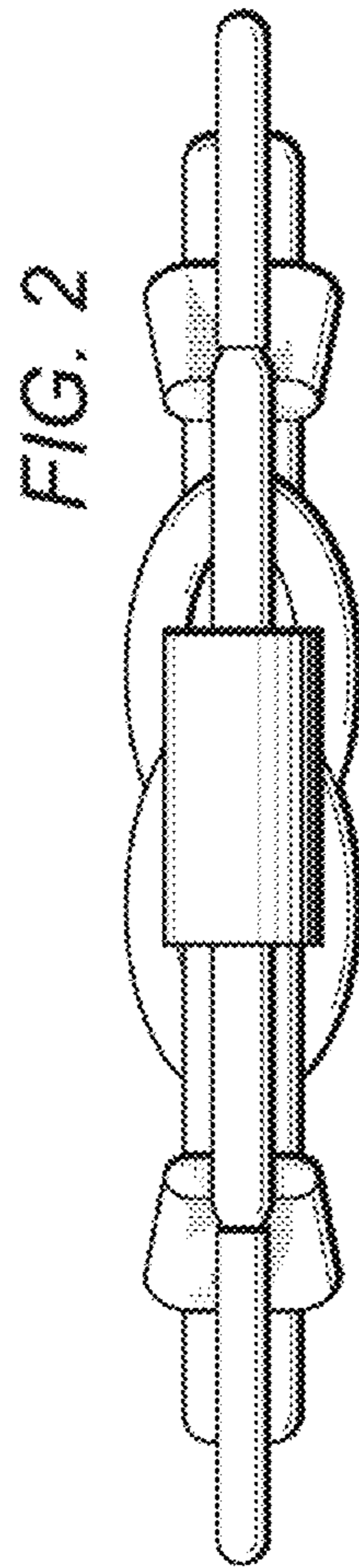


FIG. 2

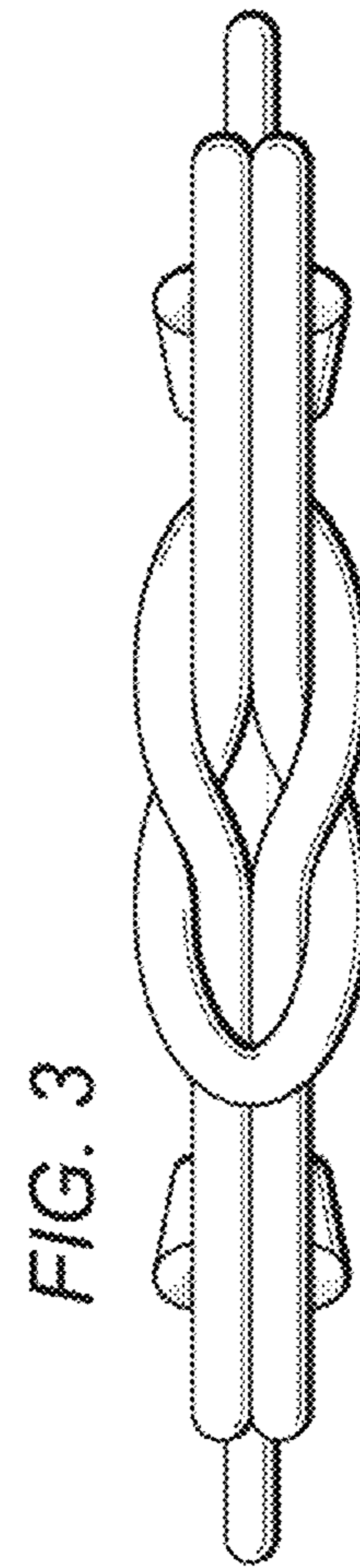


FIG. 3

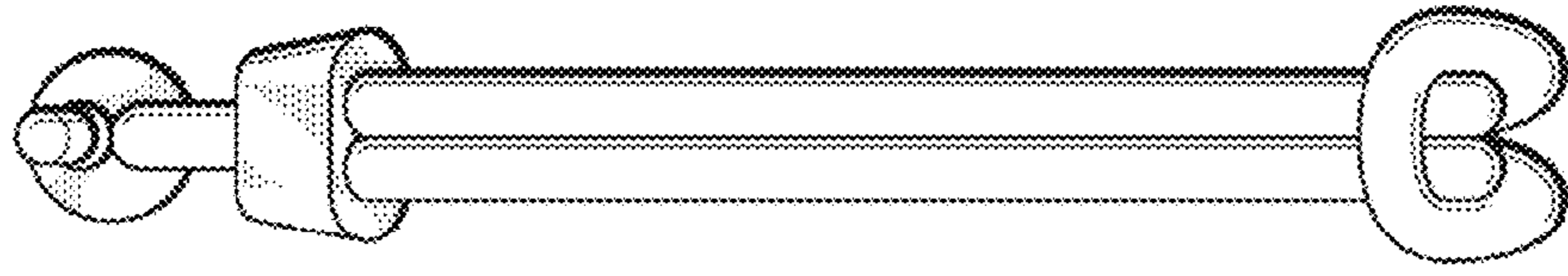


FIG. 6

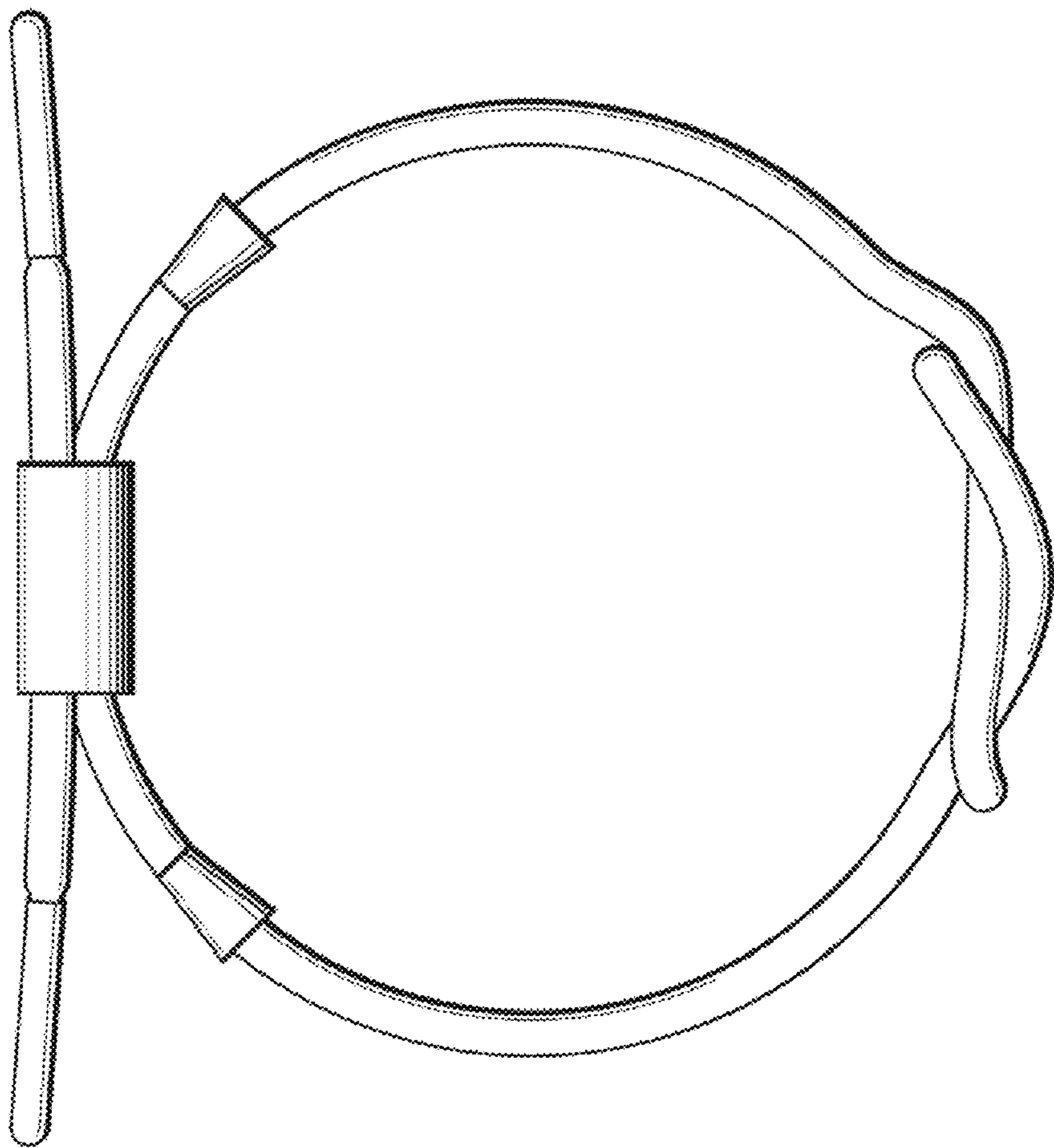


FIG. 4

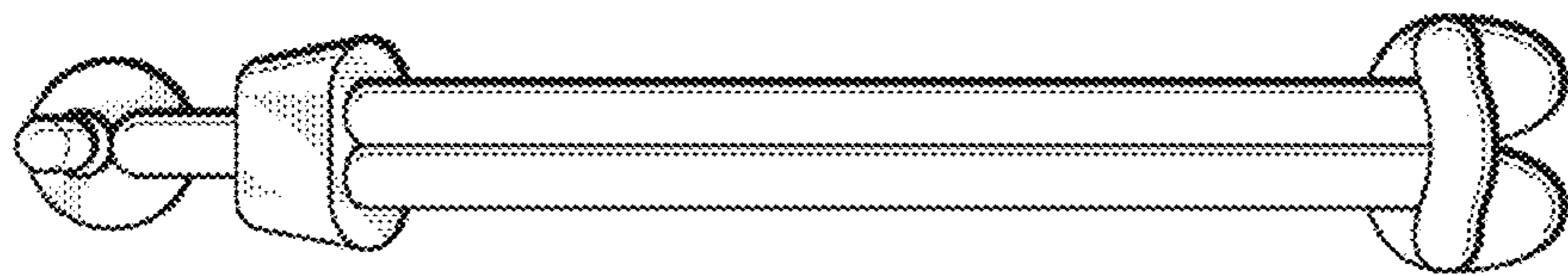


FIG. 5