



US00D765534S

(12) **United States Design Patent** (10) **Patent No.:** **US D765,534 S**  
**Schone et al.** (45) **Date of Patent:** **\*\* Sep. 6, 2016**

(54) **ID BRACELET**  
(71) Applicant: **ENDEVR LLC**, St. George, UT (US)  
(72) Inventors: **Steve Schone**, Washington, UT (US);  
**Jake Madsen**, St. George, UT (US)  
(73) Assignee: **Endevr LLC**, St. George, UT (US)  
(\*\*) Term: **14 Years**  
(21) Appl. No.: **29/517,041**  
(22) Filed: **Feb. 9, 2015**  
(51) **LOC (10) Cl.** ..... **11-01**  
(52) **U.S. Cl.**  
USPC ..... **D11/3**  
(58) **Field of Classification Search**  
USPC ..... D11/1-39; 63/1.11, 1.12, 1.13, 1.14,  
63/1.15, 3, 3.1, 3.2, 4, 5.1, 5.2, 6, 7, 8, 9,  
63/10, 11, 15, 15.1, 15.2, 15.3, 15.4,  
63/15.45, 15.5, 15.6, 15.65, 15.7, 15.8,  
63/15.9; D14/344, 411; 40/633  
CPC A44C 5/0007; A44C 5/0069; A44C 5/0084;  
A44C 5/003; A44C 15/003; A44C 15/0075;  
A44C 17/0208; C09D 179/08  
See application file for complete search history.

5,883,576 A \* 3/1999 De La Huerga ..... G04G 21/04  
340/539.1  
D413,531 S \* 9/1999 Philippe ..... D10/32  
6,255,951 B1 \* 7/2001 De La Huerga ..... A61J 1/035  
340/5.8  
D646,191 S \* 10/2011 Murphy ..... D11/2  
D652,337 S \* 1/2012 Molik ..... D11/3  
D674,808 S \* 1/2013 Axelrod ..... D11/3  
D675,123 S \* 1/2013 Nunez ..... D11/3  
D681,495 S \* 5/2013 Goerges ..... D11/26  
D684,879 S \* 6/2013 Hwang ..... D11/3  
D688,585 S \* 8/2013 Ohnemus ..... D11/3  
D692,341 S \* 10/2013 Hwang ..... D11/3  
D710,236 S \* 8/2014 Lee ..... D11/4  
D718,171 S \* 11/2014 Fakesch ..... D11/3  
D726,057 S \* 4/2015 Wai ..... D11/4  
2012/0023796 A1 \* 2/2012 Waltersdorf ..... A44C 5/0015  
40/633  
2014/0298859 A1 \* 10/2014 Balboni ..... G01K 1/024  
63/1.13

\* cited by examiner

*Primary Examiner* — Cynthia Ramirez  
*Assistant Examiner* — Llorellys Martinez-Rivera  
(74) *Attorney, Agent, or Firm* — Phillips Rytter &  
Winchester; Matthew D. Thayne

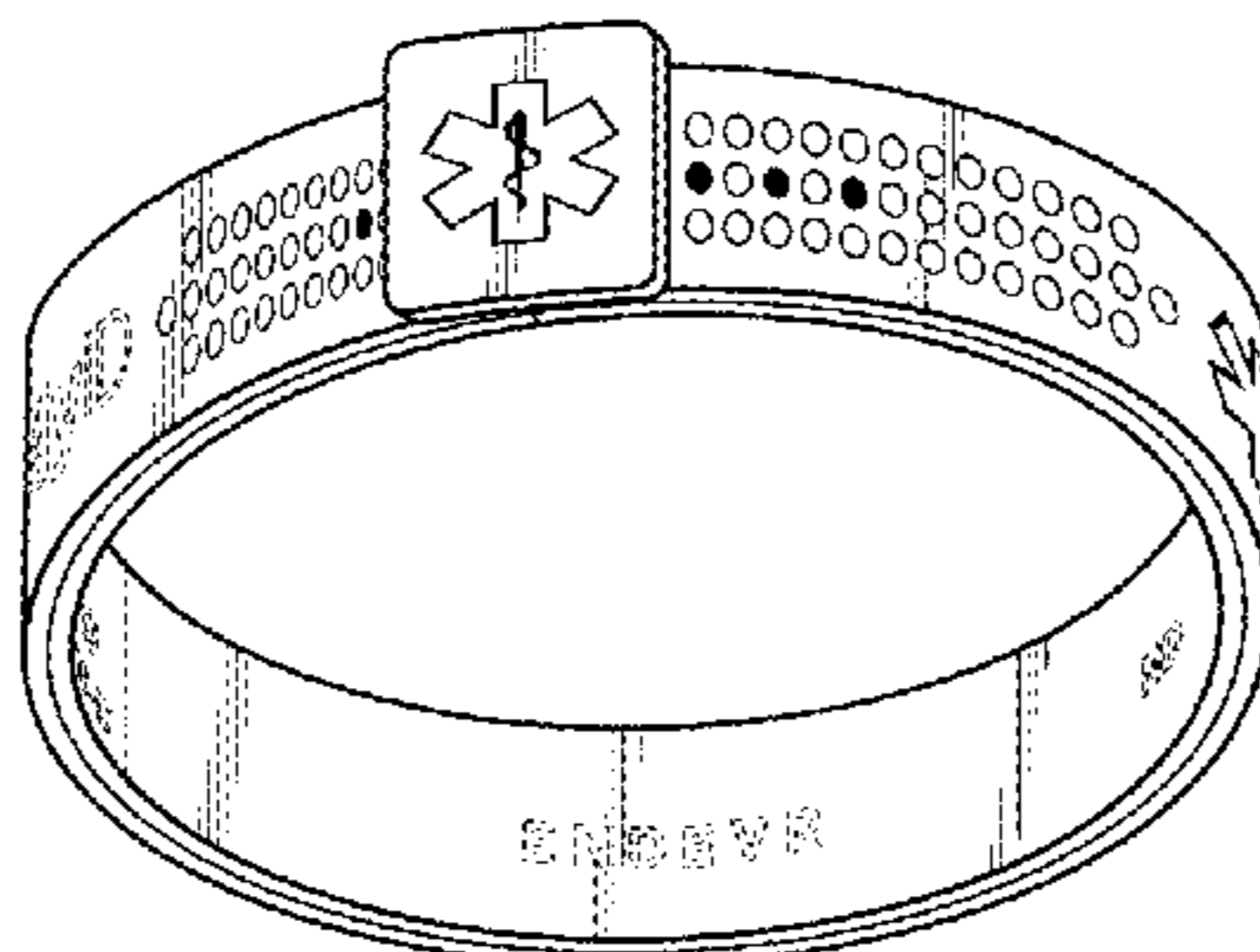
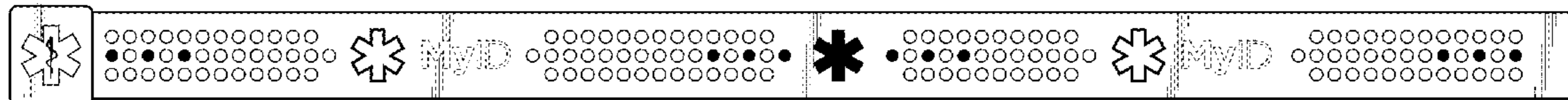
(57) **CLAIM**  
The ornamental design for an ID bracelet, as shown and  
described.

(56) **References Cited**  
**U.S. PATENT DOCUMENTS**  
3,059,359 A \* 10/1962 Goldammer ..... G09F 3/005  
24/16 PB  
D254,964 S \* 5/1980 Hofman ..... D11/3  
5,092,067 A \* 3/1992 Prout ..... G09F 3/005  
224/219  
5,364,133 A \* 11/1994 Hofer ..... G09F 3/005  
283/75  
5,499,468 A \* 3/1996 Henry ..... G09F 3/005  
40/633  
5,577,395 A \* 11/1996 Kuykendall ..... G09F 3/005  
24/355  
D381,046 S \* 7/1997 Hiers ..... D11/5  
5,799,426 A \* 9/1998 Peterson ..... G09F 3/005  
24/304

**DESCRIPTION**

FIG. 1 is a top plan view of an ID bracelet showing our new  
design;  
FIG. 2 is a bottom plan view thereof;  
FIG. 3 is a side elevation view thereof;  
FIG. 4 is an opposite side elevation view thereof; and,  
FIG. 5 is a perspective view thereof.  
The broken lines in the drawings, including the area within  
the broken lines of FIG. 2, illustrate portions of the ID  
bracelet that form no part of the claimed design. The other  
broken lines illustrating text and a QR code form no part of  
the claimed design.

**1 Claim, 1 Drawing Sheet**



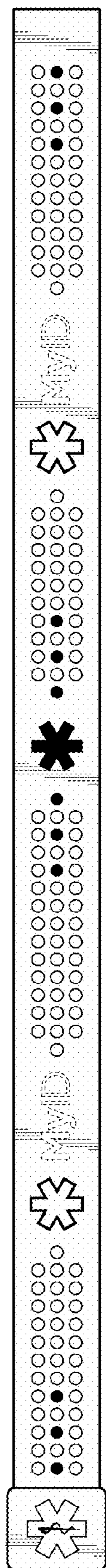


FIG. 1

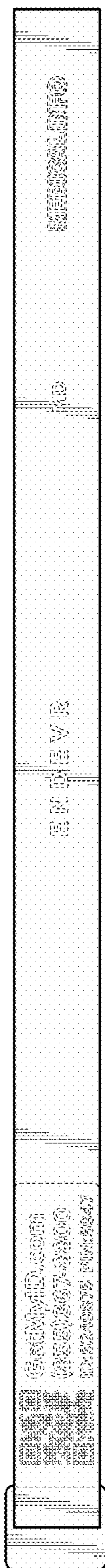


FIG. 2

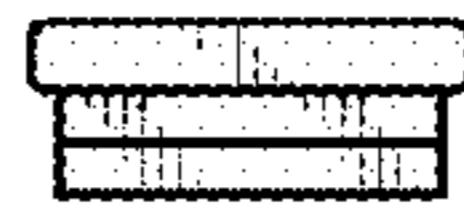


FIG. 3

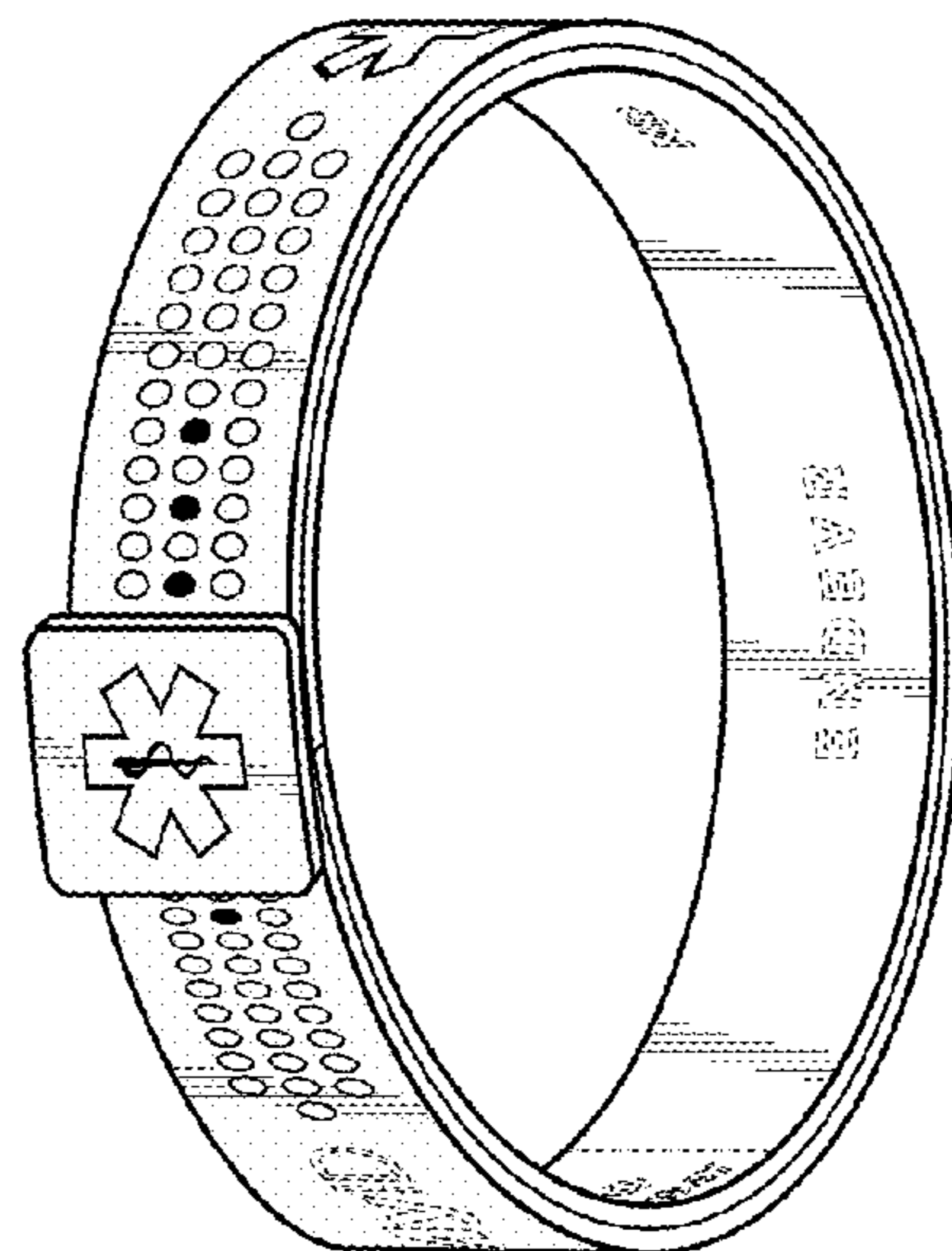


FIG. 4



FIG. 5