

US00D765531S

(12) **United States Design Patent** (10) **Patent No.:** **US D765,531 S**
Li (45) **Date of Patent:** **** Sep. 6, 2016**

- (54) **SIREN**
- (71) Applicant: **Chuango Security Technology Corporation, Fuzhou (CN)**
- (72) Inventor: **Chen Li, Fuzhou (CN)**
- (73) Assignee: **Chuango Security Technology Corporation, Fuzhou (CN)**
- (**) Term: **14 Years**
- (21) Appl. No.: **29/512,511**
- (22) Filed: **Dec. 19, 2014**
- (51) **LOC (10) Cl.** **10-05**
- (52) **U.S. Cl.**
USPC **D10/120**
- (58) **Field of Classification Search**
USPC D10/106.5, 116.1, 120, 118.1
CPC G10K 1/00; G10K 1/66
See application file for complete search history.

- D297,219 S * 8/1988 Taylor D10/106.5
- D312,591 S * 12/1990 Memmola D10/120
- D357,203 S * 4/1995 Ozawa D10/106.5
- D475,942 S * 6/2003 Job D10/106.5
- D715,670 S * 10/2014 Stagg D10/106.5
- D757,584 S * 5/2016 Pusey D10/106.5

* cited by examiner

Primary Examiner — George D Kirschbaum
(74) *Attorney, Agent, or Firm* — Alan D. Kamrath; Kamrath IP Lawfirm, P.A.

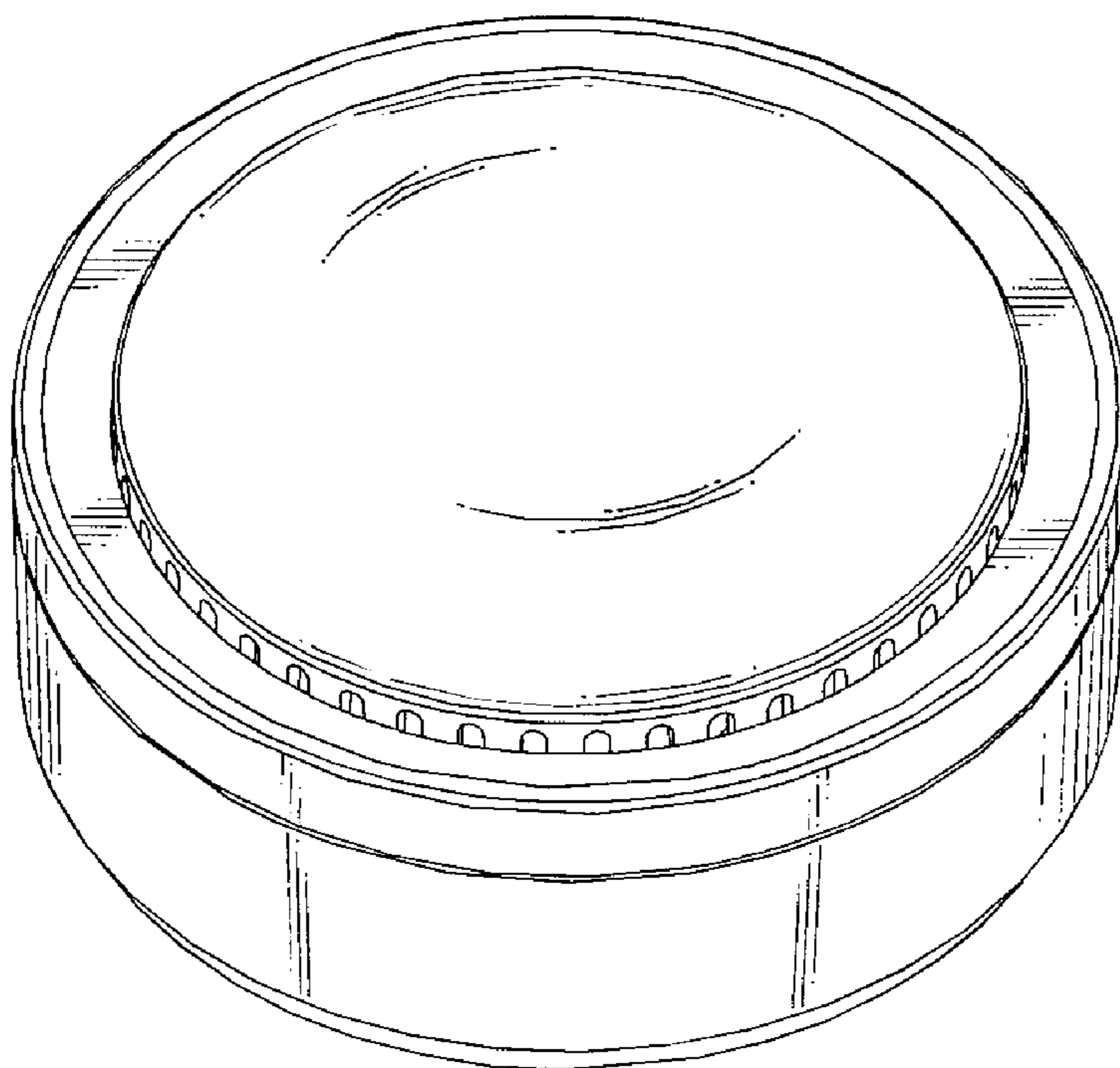
(57) **CLAIM**
The ornamental design for a siren, as shown and described.

DESCRIPTION

FIG. 1 is a perspective view of a siren in accordance with the design;
FIG. 2 is a front view thereof;
FIG. 3 is a rear view thereof;
FIG. 4 is a left view thereof;
FIG. 5 is a right view thereof;
FIG. 6 is a top view thereof; and,
FIG. 7 is a bottom view thereof.

- (56) **References Cited**
U.S. PATENT DOCUMENTS
D240,120 S * 6/1976 Pasquarette D10/106.5
D254,727 S * 4/1980 Mitumori D10/116.1

1 Claim, 4 Drawing Sheets



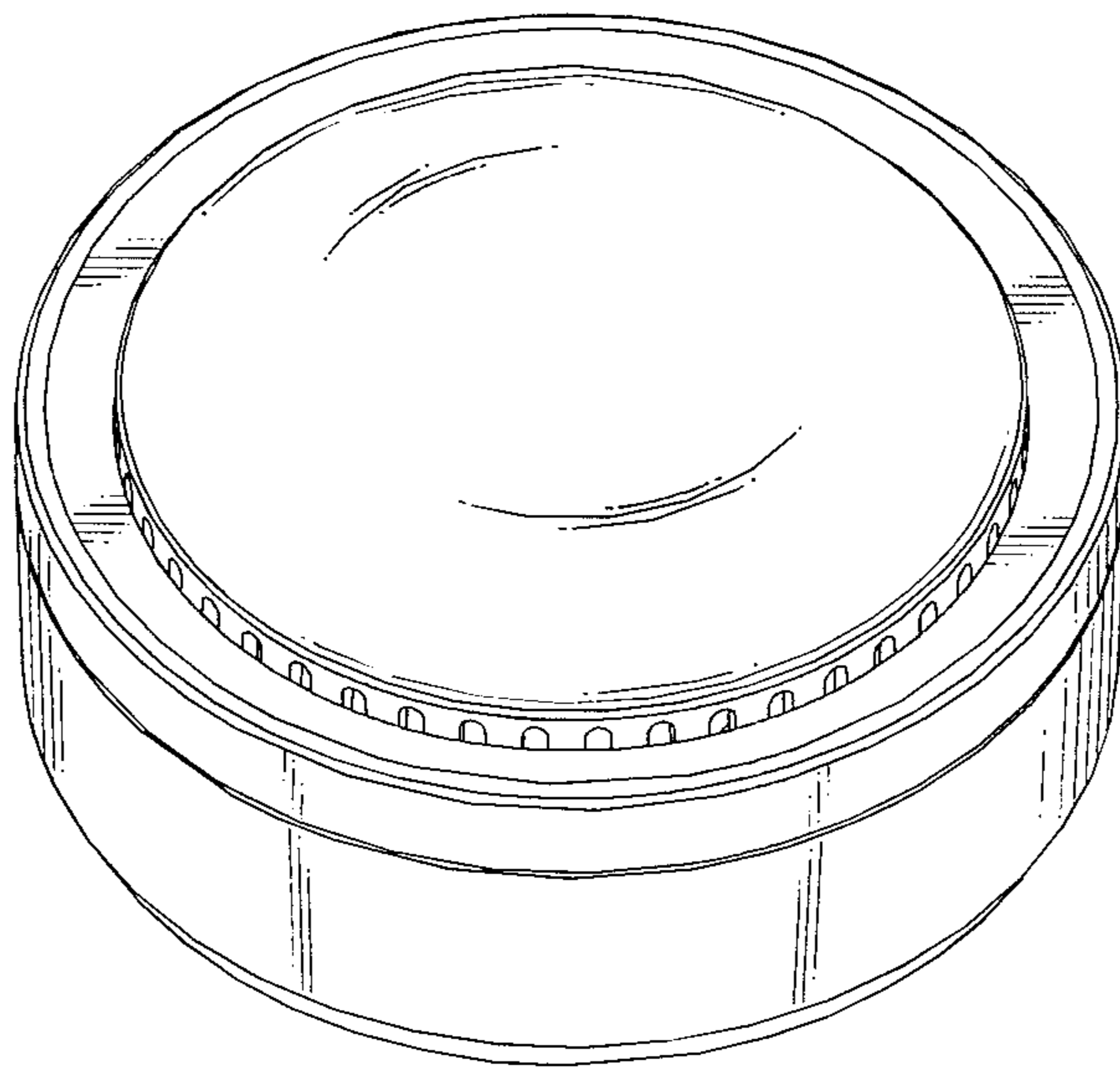


FIG. 1

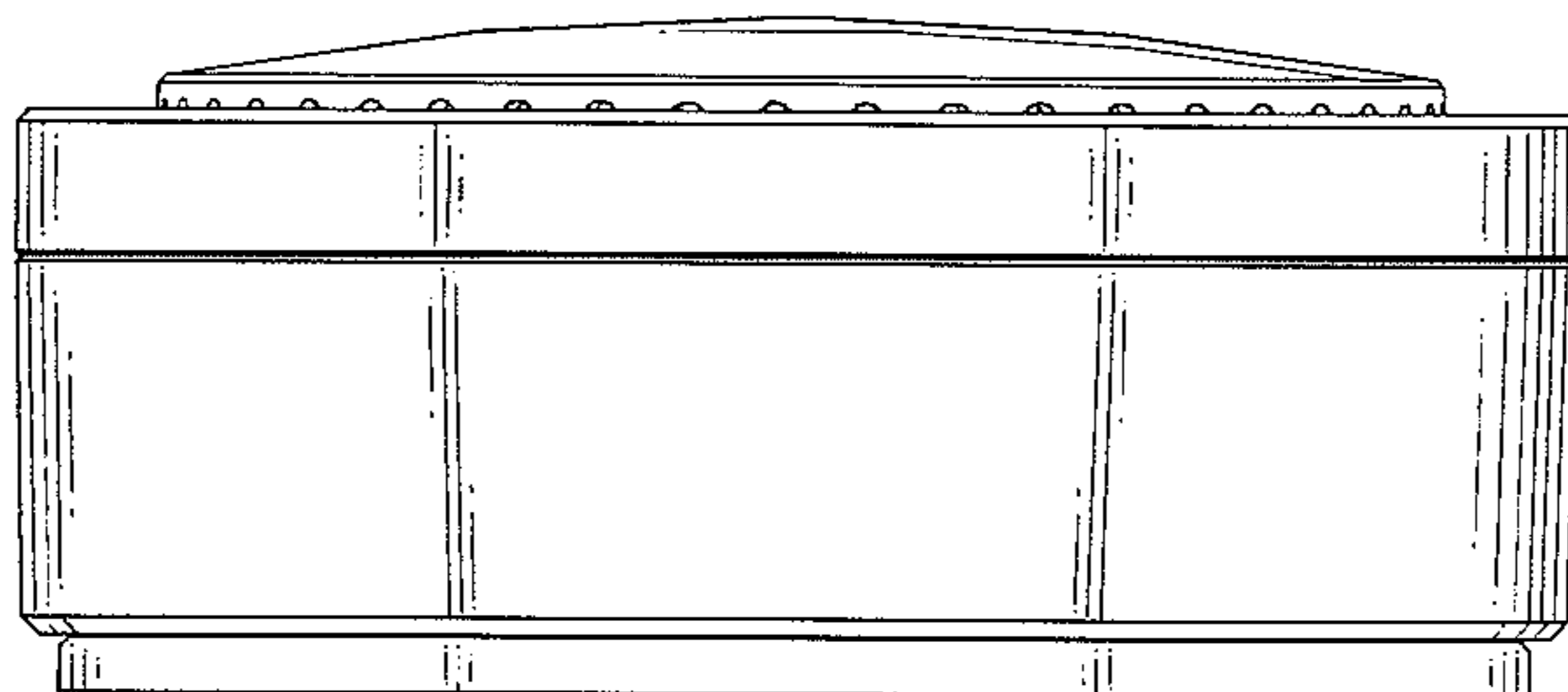


FIG. 2

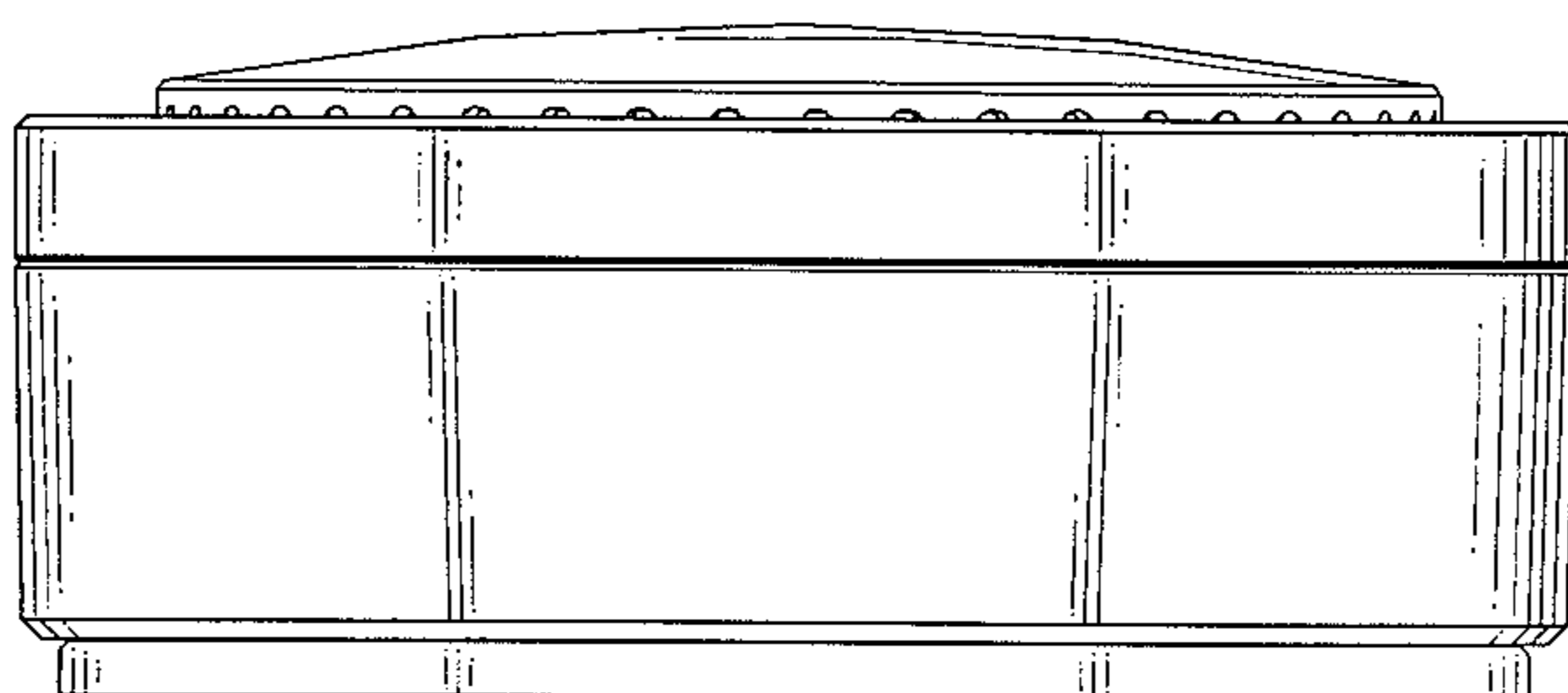


FIG. 3

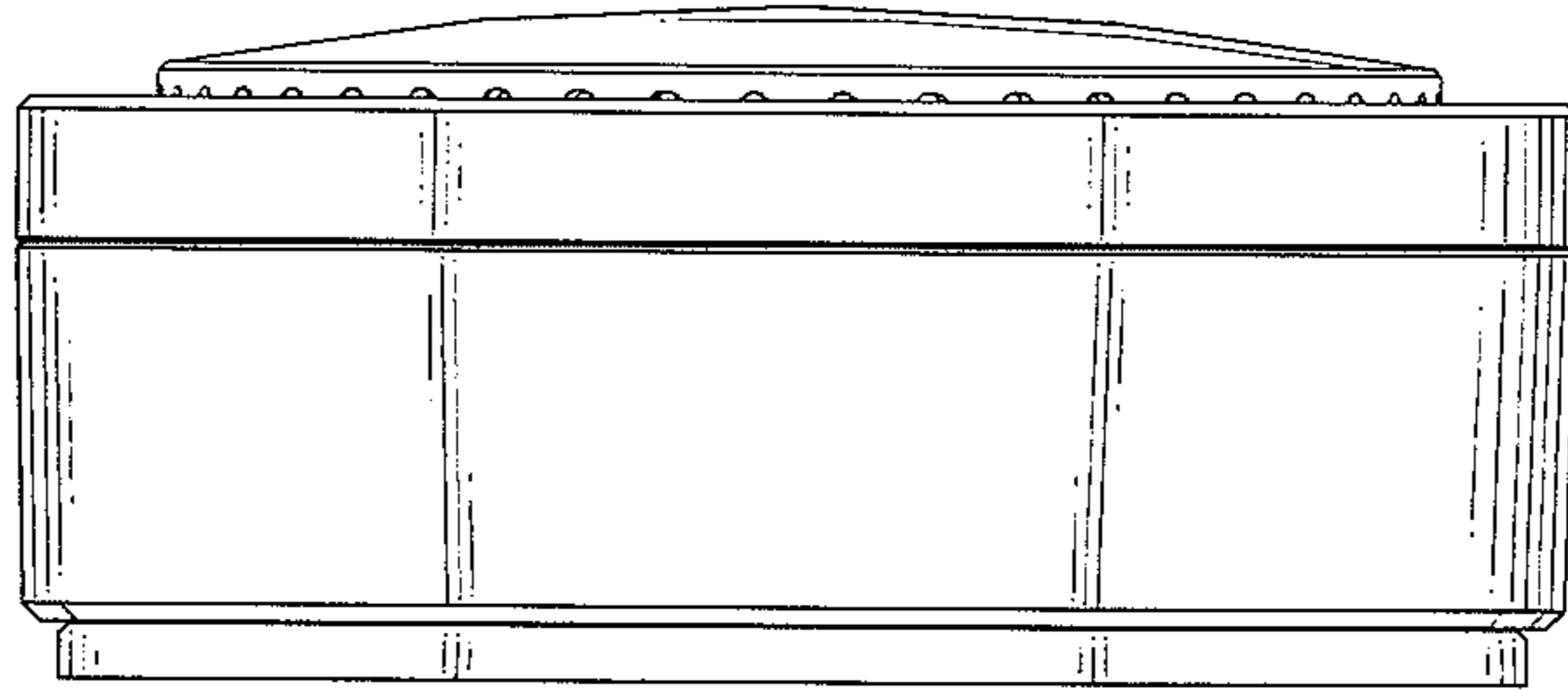


FIG. 4

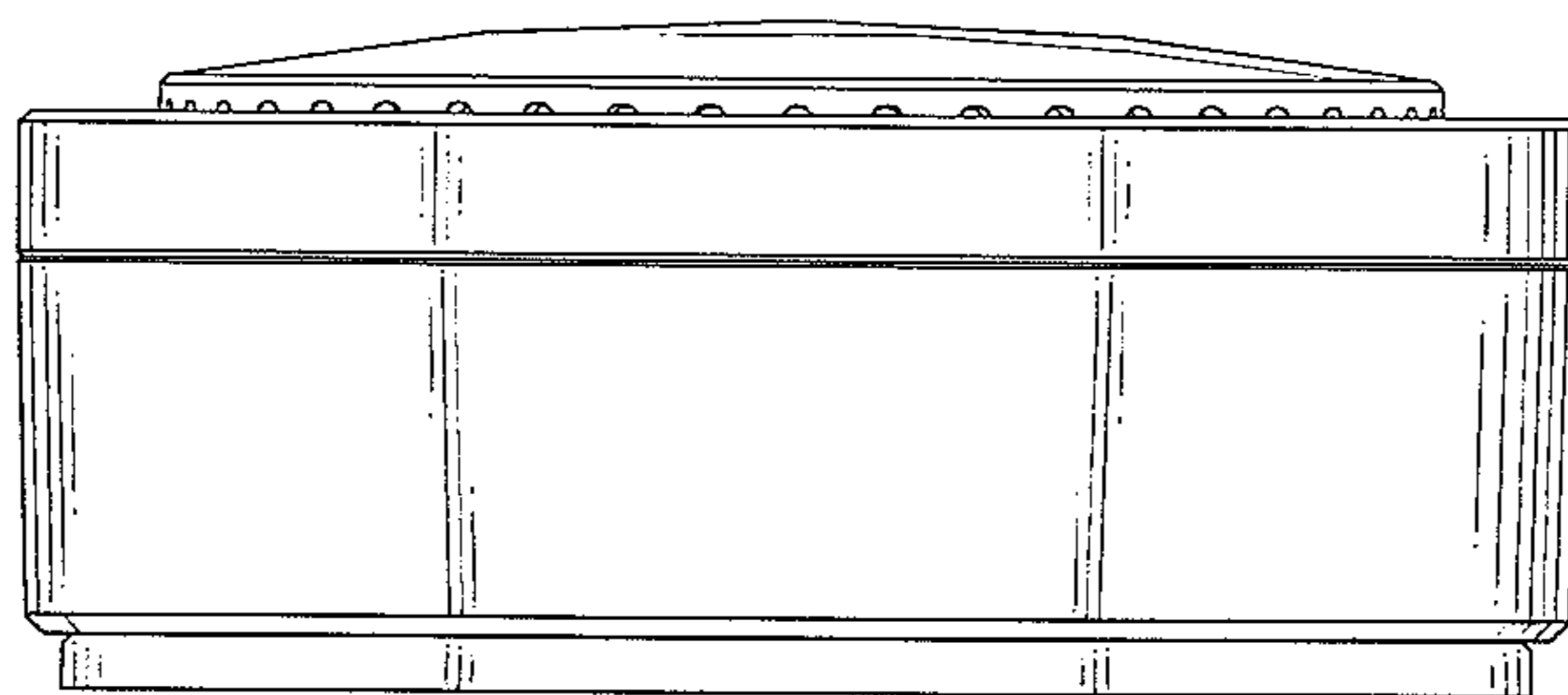


FIG. 5

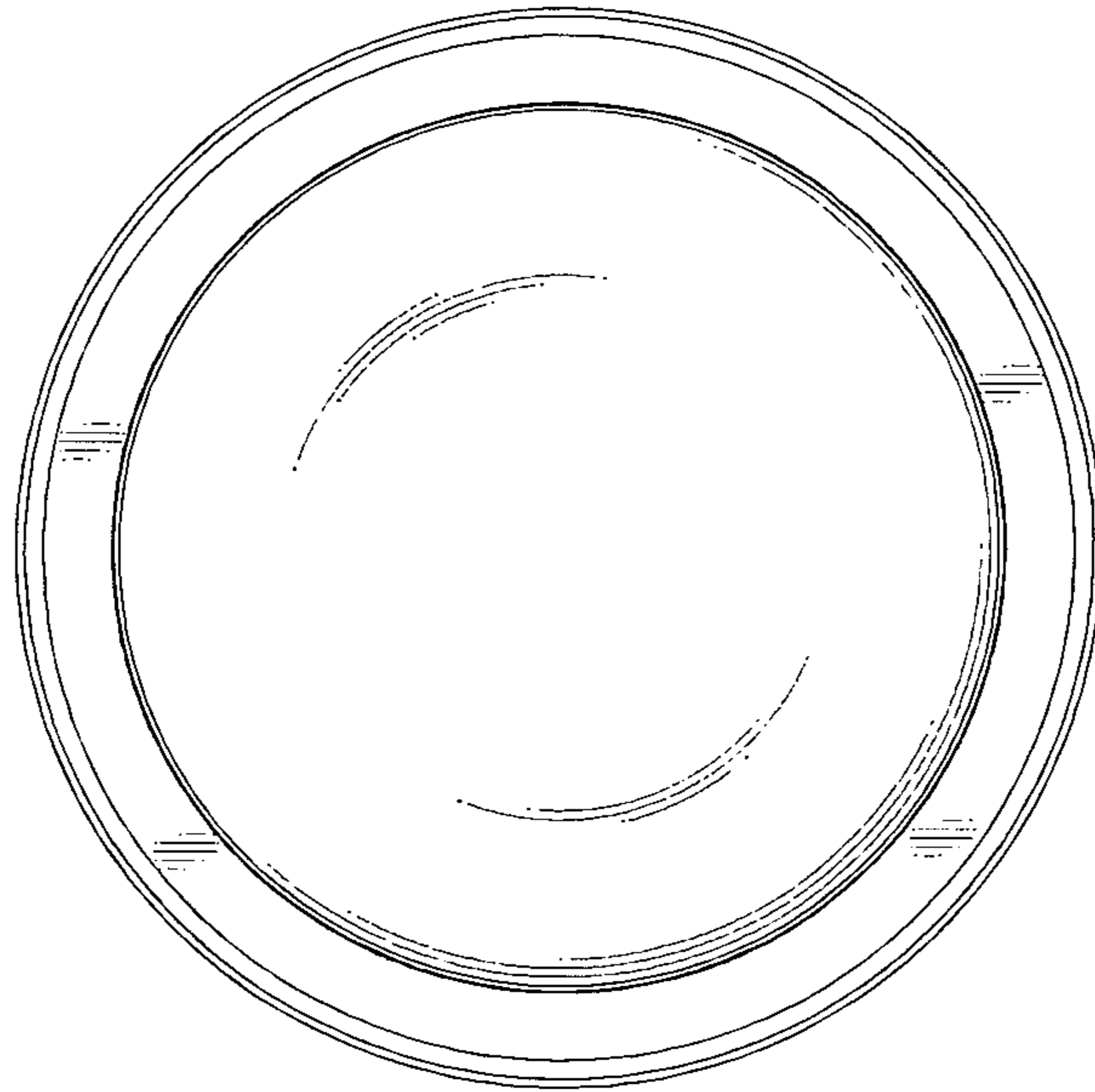


FIG. 6

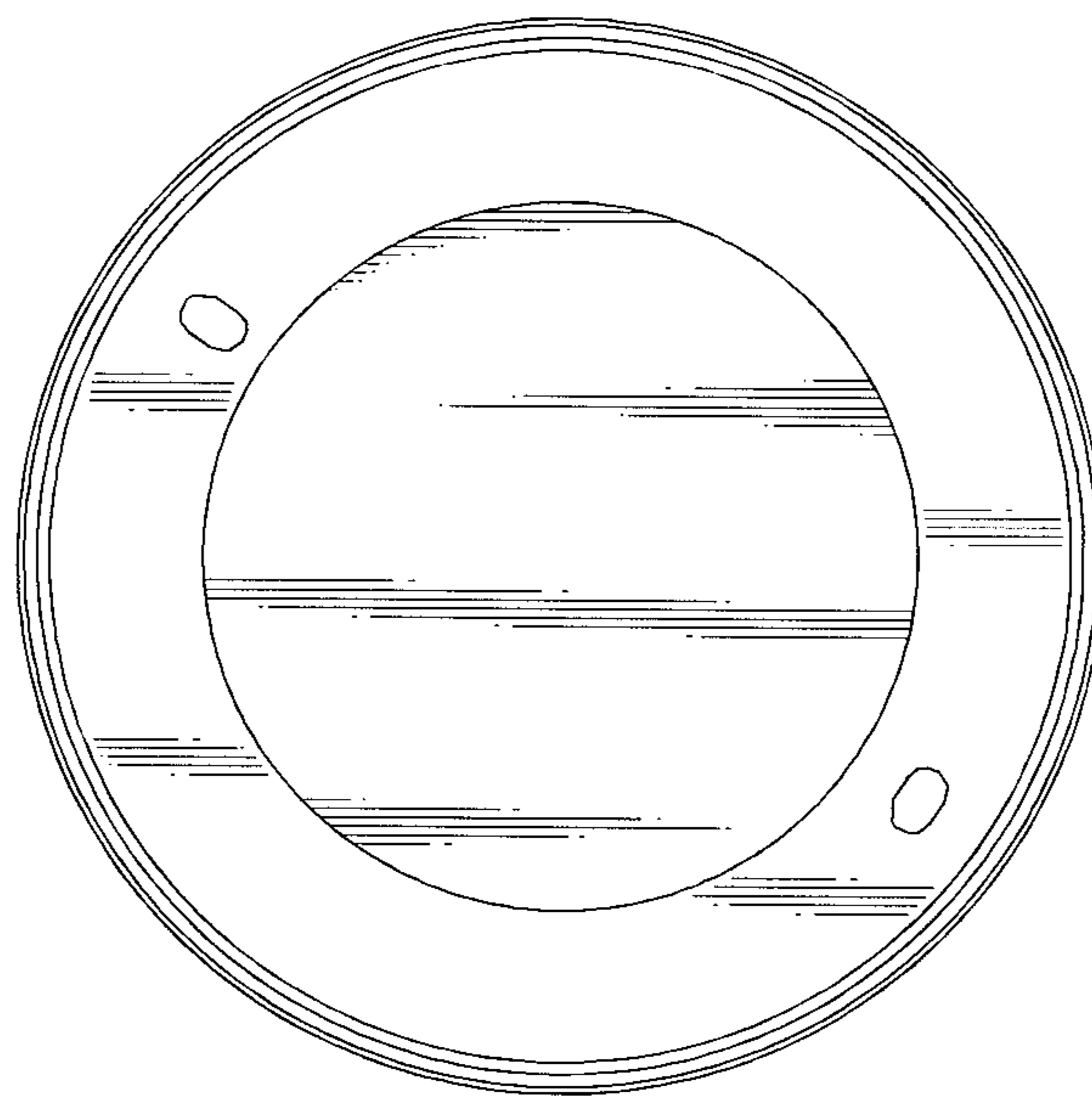


FIG. 7