



US00D765530S

(12) **United States Design Patent** (10) **Patent No.:** **US D765,530 S**
Scalisi (45) **Date of Patent:** **** Sep. 6, 2016**

- (54) **DOORBELL**
- (71) Applicant: **SkyBell Technologies, Inc.**, Irvine, CA (US)
- (72) Inventor: **Joseph Frank Scalisi**, Yorba Linda, CA (US)
- (73) Assignee: **SkyBell Technologies, Inc.**, Irvine, CA (US)

- D435,576 S 12/2000 McBride
- D435,577 S 12/2000 McBride
- D442,617 S 5/2001 Ohmori
- D455,767 S 4/2002 Tsang
- D455,768 S 4/2002 Tsang
- D480,741 S 10/2003 Berger
- D487,939 S 3/2004 Smith
- D494,287 S 8/2004 Matsui
- 6,812,970 B1 11/2004 McBride
- D500,751 S 1/2005 Yukikado
- D509,842 S 9/2005 Ou
- 7,015,943 B2 3/2006 Chiang
- D519,100 S 4/2006 Shioya

(**) Term: **15 Years**

(Continued)

(21) Appl. No.: **29/535,928**

OTHER PUBLICATIONS

(22) Filed: **Aug. 12, 2015**

MySkyBell.com (later SkyBell.com)—Downloaded on Nov. 18, 2013 from <http://www.myskybell.com>.

(51) **LOC (10) Cl.** **10-05**

(Continued)

(52) **U.S. Cl.**
USPC **D10/118.2**

(58) **Field of Classification Search**
USPC D10/116.1, 118.1, 118.2, 114.1
CPC E05B 47/026; G08B 15/001
See application file for complete search history.

Primary Examiner — George D Kirschbaum

(57) **CLAIM**

The ornamental design for a doorbell, as shown and described.

(56) **References Cited**

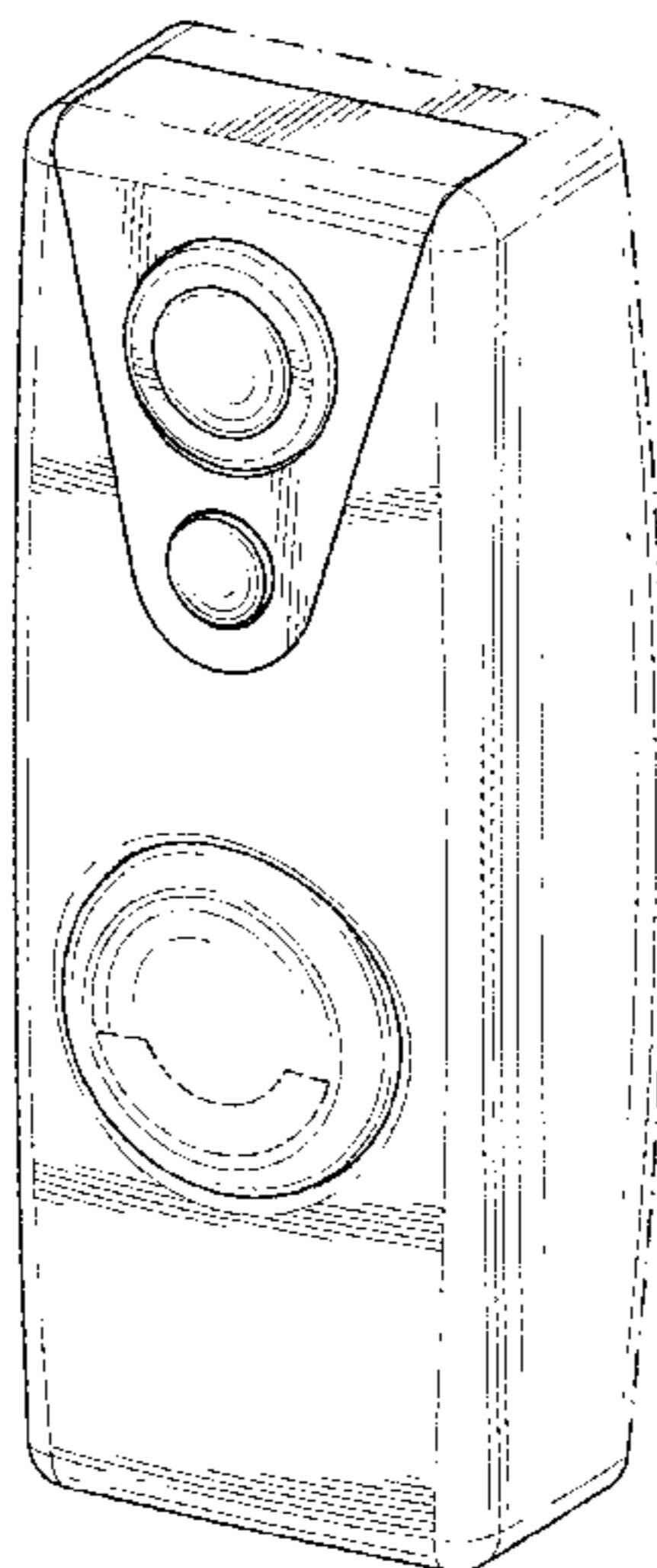
DESCRIPTION

U.S. PATENT DOCUMENTS

- D179,803 S 3/1957 Gillette
- D225,379 S 12/1972 Gallagher
- D283,130 S 3/1986 Boenning
- D297,222 S 8/1988 Rauch
- 5,127,244 A 7/1992 Myers
- D344,036 S * 2/1994 Yuen D10/118
- 5,345,794 A 9/1994 Jenks
- D371,086 S 6/1996 Collins
- D381,638 S 7/1997 Kruse
- 5,671,624 A 9/1997 Sivils
- D395,814 S 7/1998 Yang
- D404,673 S 1/1999 Gordon
- D418,770 S * 1/2000 Ragan D10/114.1
- 6,016,677 A 1/2000 Clark
- D422,521 S 4/2000 Morrow
- D422,893 S 4/2000 Heredos-Formby

FIG. 1 is a front, side, and top perspective view of a doorbell embodying the new design;
 FIG. 2 is a back, side, and bottom perspective view thereof;
 FIG. 3 is a front view thereof;
 FIG. 4 is a back view thereof;
 FIG. 5 is a first side view thereof, the second side view being a mirror image;
 FIG. 6 is a top view thereof; and,
 FIG. 7 is a bottom view thereof.
 The uniform repeating broken lines are included for the purpose of illustrating portions of the “article” and form no part of the claimed design. The dash-dot-dash lines represent the boundary of the claim.

1 Claim, 3 Drawing Sheets



(56)

References Cited

U.S. PATENT DOCUMENTS

D522,490 S 6/2006 Yukikado
 D525,963 S 8/2006 Yukikado
 7,113,578 B2 9/2006 Unger
 D531,160 S 10/2006 Yukikado
 D534,566 S 1/2007 Ishii
 D537,095 S 2/2007 Alden
 D562,306 S 2/2008 Jeong
 D574,742 S * 8/2008 Spencer D10/118
 D575,316 S 8/2008 Liu
 D577,301 S 9/2008 Johnson
 D588,574 S 3/2009 Takahata
 D592,231 S 5/2009 Schnell
 D594,311 S 6/2009 Stevens
 D595,260 S 6/2009 Takahata
 D605,542 S * 12/2009 Ho D10/118
 D634,181 S 3/2011 Kang
 D636,286 S * 4/2011 Khor D10/118
 D645,071 S 9/2011 Hinkel
 D646,801 S 10/2011 Chou
 D657,410 S 4/2012 Helaooui
 D660,819 S 5/2012 Chen
 D664,178 S 7/2012 Hinkel
 8,334,656 B2 12/2012 Weiss
 D677,297 S 3/2013 Bart
 D679,309 S 4/2013 Park
 D682,658 S 5/2013 Cramer
 D689,220 S 9/2013 Zhang
 D689,536 S 9/2013 Li
 D692,847 S 11/2013 Barley
 D694,305 S 11/2013 Katori
 D694,306 S 11/2013 Katori
 D709,754 S 7/2014 Lylyk
 8,780,201 B1 7/2014 Scalisi et al.
 D710,676 S 8/2014 Kiechel
 D710,727 S * 8/2014 Siminoff D10/118.1
 D710,728 S * 8/2014 Siminoff D10/118.1
 D711,275 S 8/2014 Scalisi
 8,823,795 B1 9/2014 Scalisi et al.
 8,834,044 B2 9/2014 Uehara
 8,842,180 B1 9/2014 Kasmir et al.
 8,872,915 B1 10/2014 Scalisi et al.
 D719,205 S 12/2014 Matsumoto
 D719,994 S 12/2014 Wang
 D721,755 S 1/2015 Lang,Hman et al.
 8,937,659 B1 1/2015 Scalisi et al.
 8,941,736 B1 1/2015 Scalisi
 D722,709 S 2/2015 Bosua
 8,947,530 B1 2/2015 Scalisi
 8,953,040 B1 2/2015 Scalisi et al.

D727,769 S 4/2015 Scalisi
 D727,989 S 4/2015 Hasuda
 9,013,575 B2 4/2015 Scalisi
 D728,655 S 5/2015 Daniel
 D729,678 S 5/2015 Scalisi
 D729,859 S 5/2015 Shin
 9,049,352 B2 6/2015 Scalisi et al.
 9,055,202 B1 6/2015 Scalisi et al.
 9,058,738 B1 6/2015 Scalisi
 9,060,103 B2 6/2015 Scalisi
 9,060,104 B2 6/2015 Scalisi
 9,065,987 B2 6/2015 Kasmir et al.
 D733,780 S 7/2015 Chen
 D734,801 S 7/2015 Yang
 9,094,584 B2 7/2015 Scalisi et al.
 D736,294 S 8/2015 Scalisi
 D737,283 S 8/2015 Scalisi
 9,113,051 B1 8/2015 Scalisi
 9,113,052 B1 8/2015 Scalisi et al.
 9,118,819 B1 8/2015 Scalisi et al.
 9,142,214 B2 9/2015 Scalisi
 D740,873 S 10/2015 Scalisi
 9,160,987 B1 10/2015 Kasmir et al.
 9,165,444 B2 10/2015 Scalisi
 9,172,920 B1 10/2015 Kasmir et al.
 9,172,921 B1 10/2015 Scalisi et al.
 9,172,922 B1 10/2015 Kasmir et al.
 9,179,107 B1 11/2015 Scalisi et al.
 9,179,108 B1 11/2015 Scalisi et al.
 9,179,109 B1 11/2015 Kasmir et al.
 9,196,133 B2 11/2015 Scalisi et al.
 9,197,867 B1 11/2015 Scalisi et al.
 2004/0124978 A1 * 7/2004 Chen G08B 15/001
 340/539.14
 2008/0036862 A1 2/2008 Lang
 2011/0156566 A1 6/2011 Chen
 2013/0045763 A1 2/2013 Ruiz
 2014/0125754 A1 5/2014 Haywood
 2015/0022618 A1 1/2015 Siminoff
 2015/0049191 A1 2/2015 Scalisi et al.

OTHER PUBLICATIONS

DefenDoor by Glate LLC—Downloaded on Dec. 11, 2014 from <https://www.kickstarter.com/projects/85455040/defendoor-a-home-security-system-that-syncs-with-y>.
 EyeTalk—Downloaded on May 24, 2013 from <http://www.revolutionaryconceptsinc.com/forhome.html>.
 August Smart Lock—Downloaded on Oct. 10, 2014 from www.august.com.

* cited by examiner

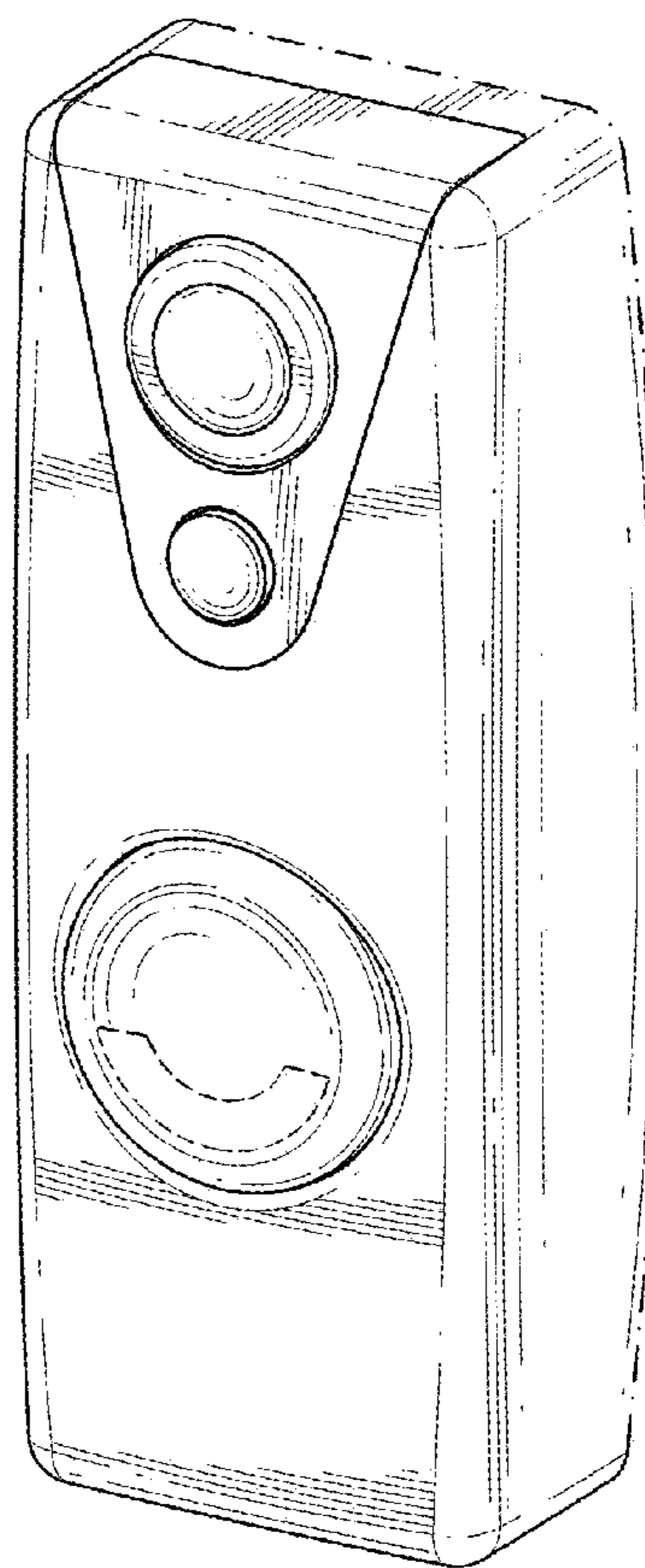


FIG. 1

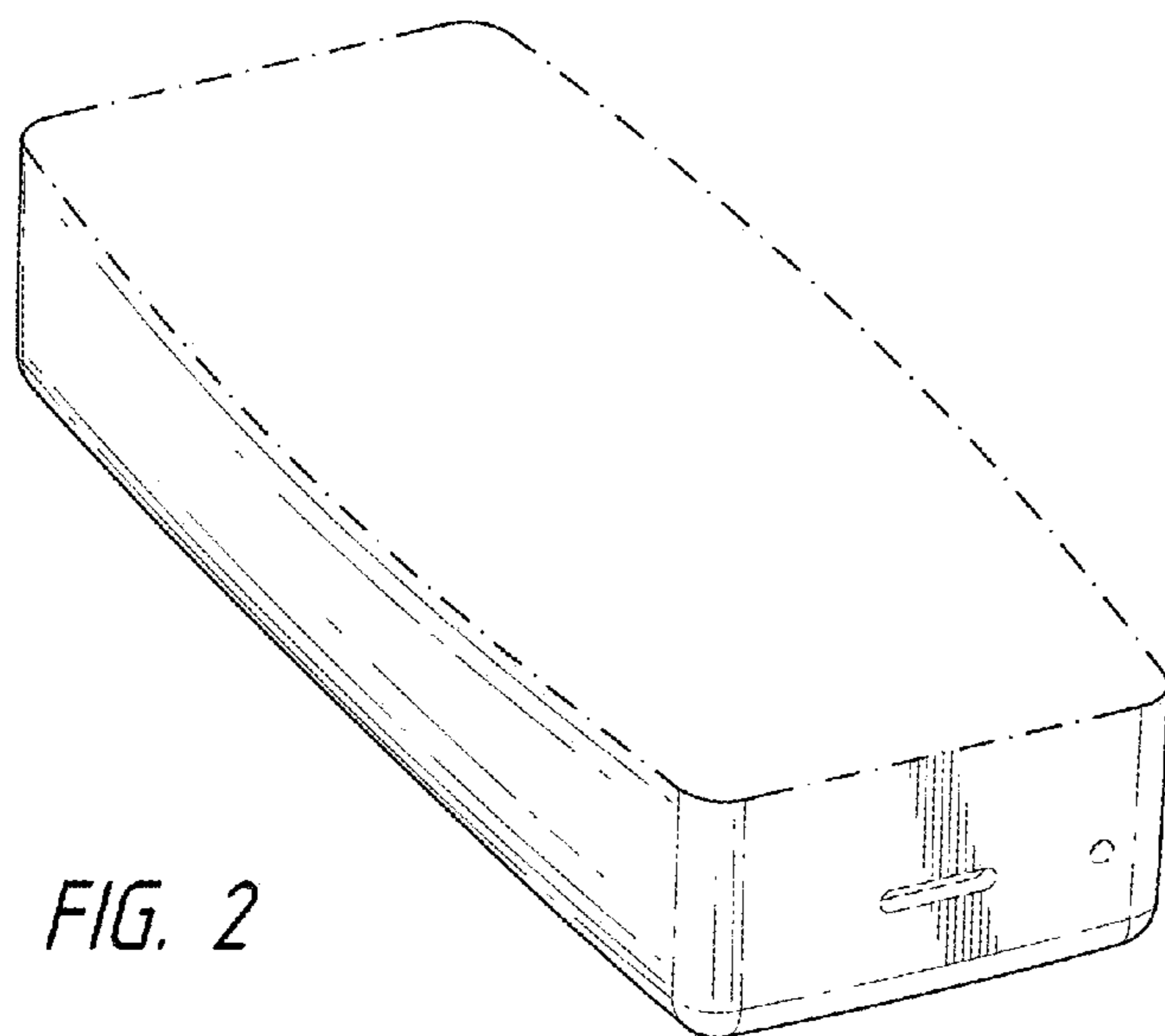


FIG. 2

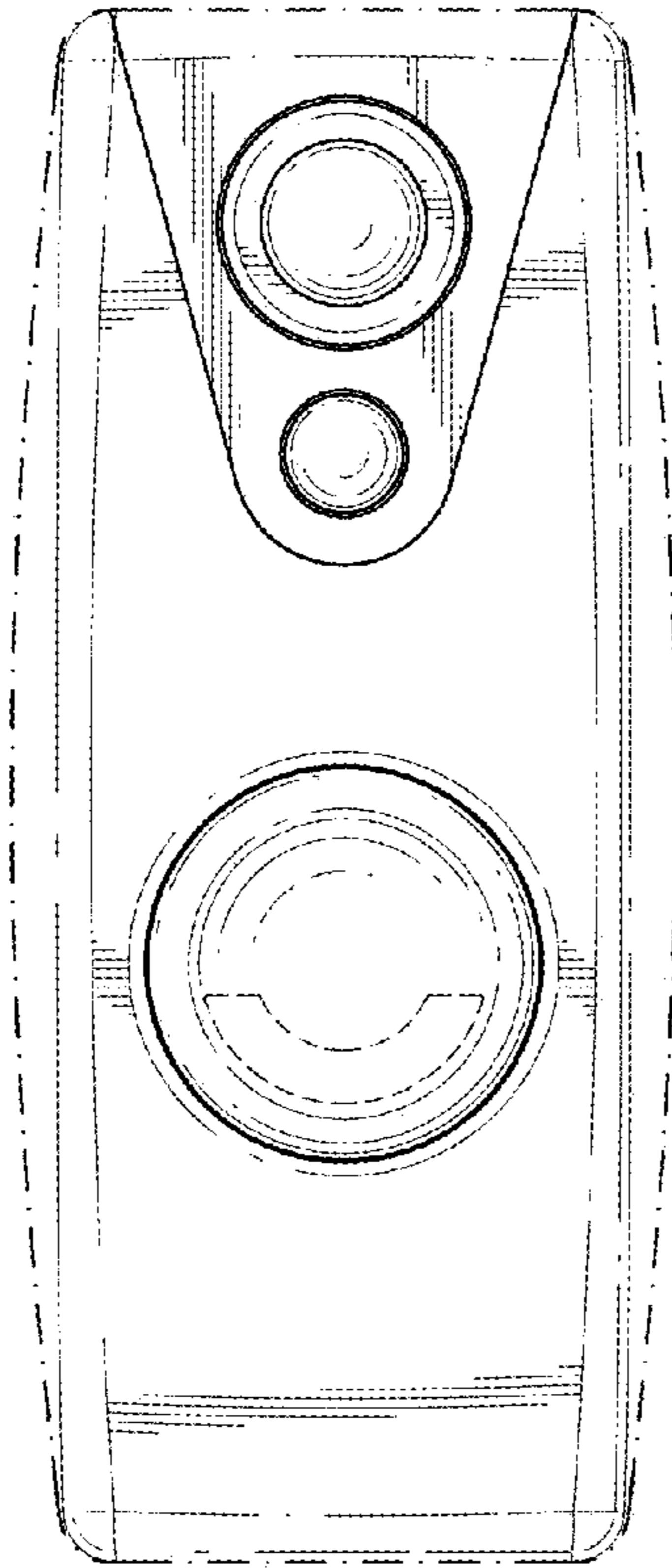


FIG. 3



FIG. 4

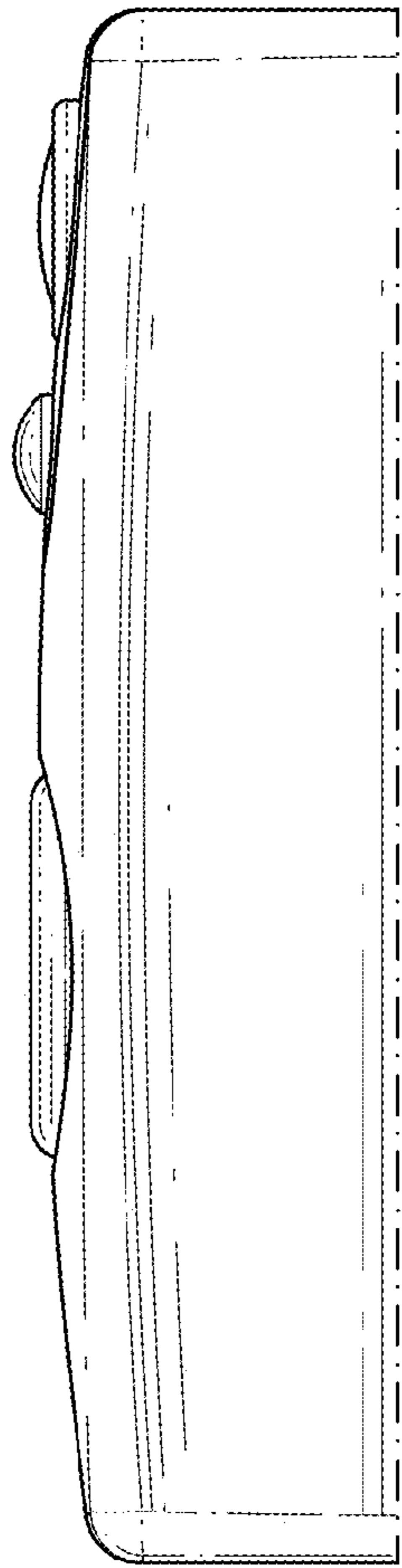


FIG. 5

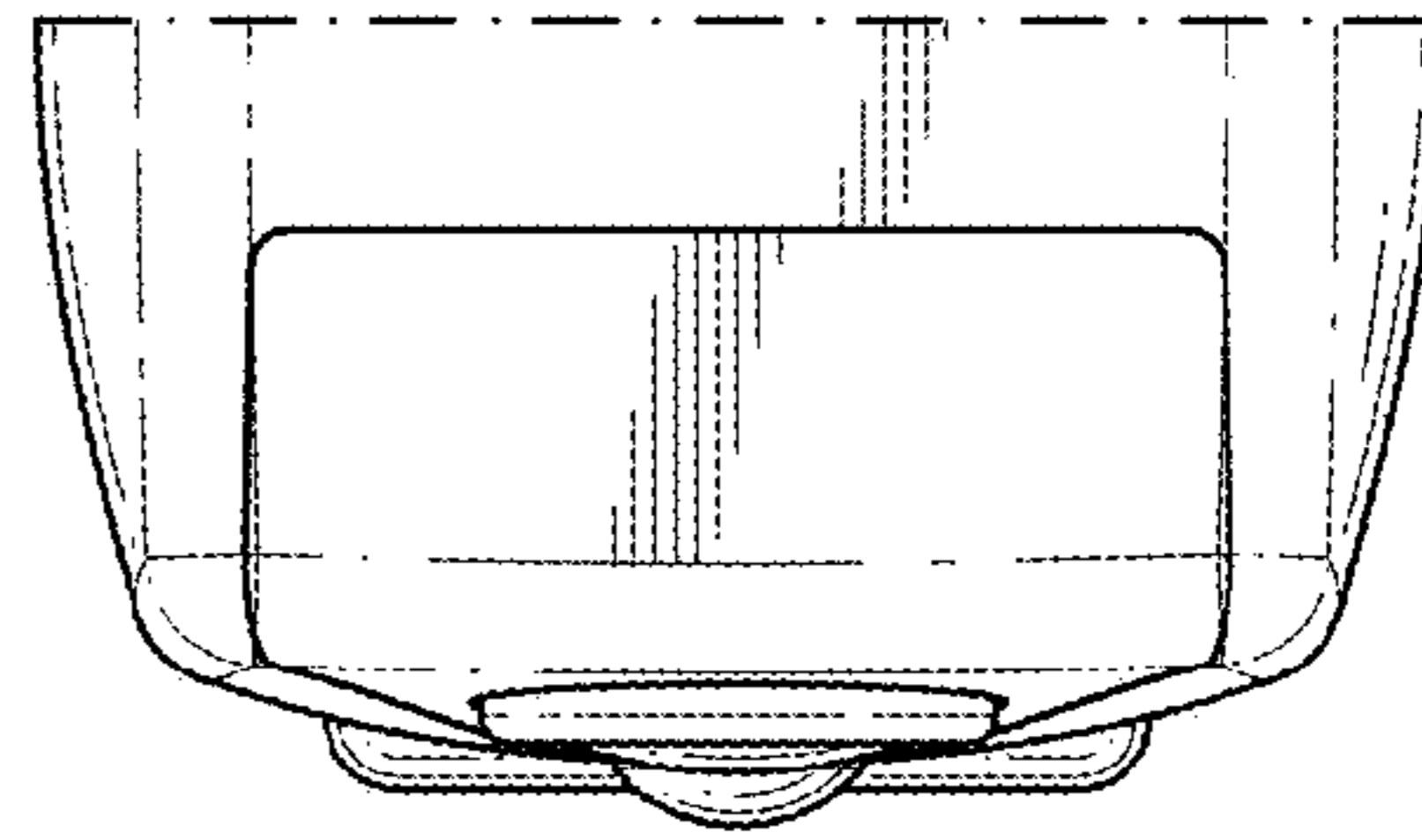


FIG. 6

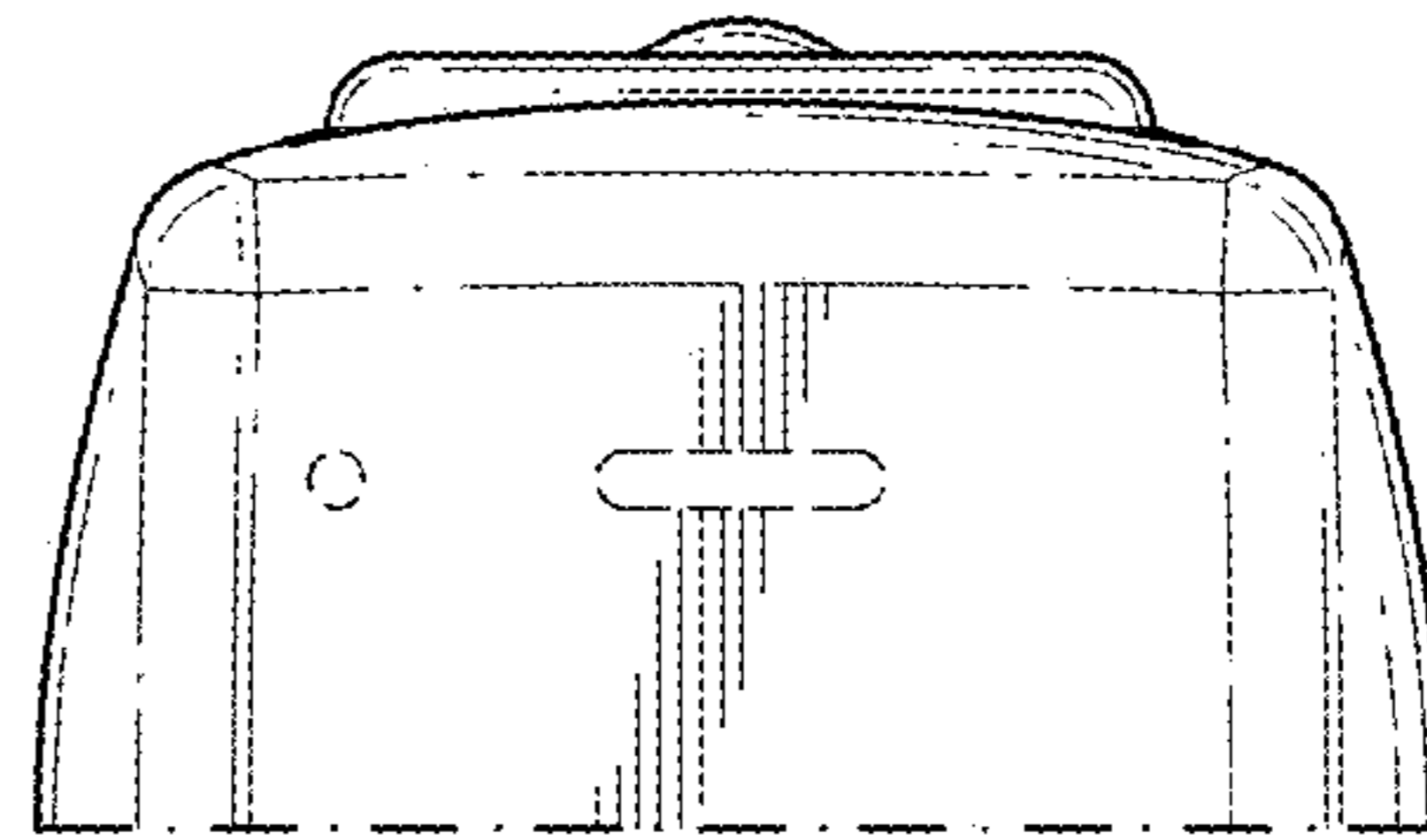


FIG. 7