



US00D765529S

(12) **United States Design Patent** (10) **Patent No.:** **US D765,529 S**  
**Friedrich et al.** (45) **Date of Patent:** **\*\* Sep. 6, 2016**

- (54) **OPTOELECTRONIC SENSORS**
- (71) Applicant: **SICK AG**, Waldkirch (DE)
- (72) Inventors: **Ralf Friedrich**, Bad Krozingen (DE);  
**Christof J. Meyer**, Bleibach (DE);  
**Michael Thurnherr**, Rapperswil (CH)
- (73) Assignee: **SICK AG**, Waldkirch (DE)
- (\*\*) Term: **15 Years**
- (21) Appl. No.: **29/527,126**
- (22) Filed: **May 15, 2015**

7,227,120	B2	6/2007	Shimokawa et al.
7,326,910	B2	2/2008	Osako et al.
7,550,708	B2	6/2009	Deguchi
D620,821	S	8/2010	Driver
D625,632	S	10/2010	Takahara et al.
8,115,914	B2	2/2012	Osako et al.
D669,801	S	10/2012	Vroonen
D693,711	S	11/2013	Jacobs et al.
D707,144	S	6/2014	Jacobs et al.
D708,971	S	7/2014	Jacobs et al.
D711,258	S	8/2014	Jacobs et al.
2005/0109919	A1*	5/2005	Osako ..... G01D 5/26 250/221
2008/0123084	A1*	5/2008	Hippenmeyer ..... G01V 8/10 356/73
2013/0305821	A1*	11/2013	Dobele ..... G01D 11/245 73/431
2015/0268067	A1*	9/2015	Fabbri ..... G01D 5/3473 250/221

**Related U.S. Application Data**

- (62) Division of application No. 29/443,671, filed on Jan. 21, 2013, now Pat. No. Des. 734,193.

**Foreign Application Priority Data**

- Aug. 16, 2012 (EM) ..... 002088724
- (51) **LOC (10) Cl.** ..... **10-05**
- (52) **U.S. Cl.**  
USPC ..... **D10/104.1**
- (58) **Field of Classification Search**  
USPC ..... D10/104.1, 106.6, 70  
CPC ..... G01D 5/347; G01D 11/24; G01D 5/26;  
G01N 21/00  
See application file for complete search history.

**References Cited**

**U.S. PATENT DOCUMENTS**

- D310,041 S 8/1990 Nagaoka
- 7,183,533 B2 2/2007 Osako et al.

\* cited by examiner

*Primary Examiner* — George D Kirschbaum

(74) *Attorney, Agent, or Firm* — Nath, Goldberg & Meyer;  
Jerald L. Meyer

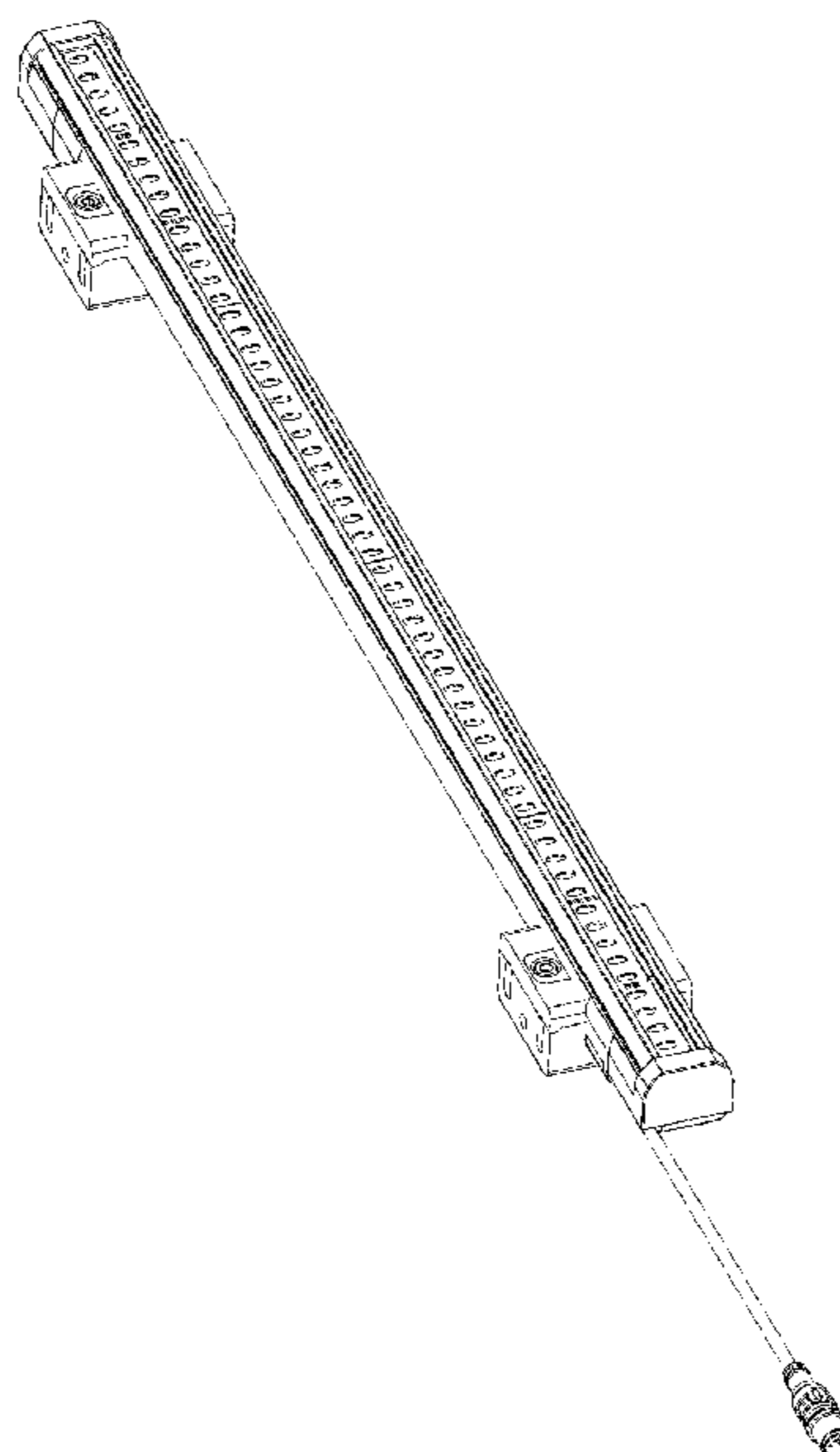
**CLAIM**

- (57) The ornamental design for optoelectronic sensors, as shown and described.

**DESCRIPTION**

FIG. 1 is a perspective view of one optoelectronic sensor showing our new design;  
 FIG. 2 is a front-side view thereof;  
 FIG. 3 is back-side view thereof;  
 FIG. 4 is a right-side view thereof;  
 FIG. 5 is a left-side view thereof;  
 FIG. 6 is a top view thereof; and,  
 FIG. 7 is a bottom view thereof.

**1 Claim, 7 Drawing Sheets**



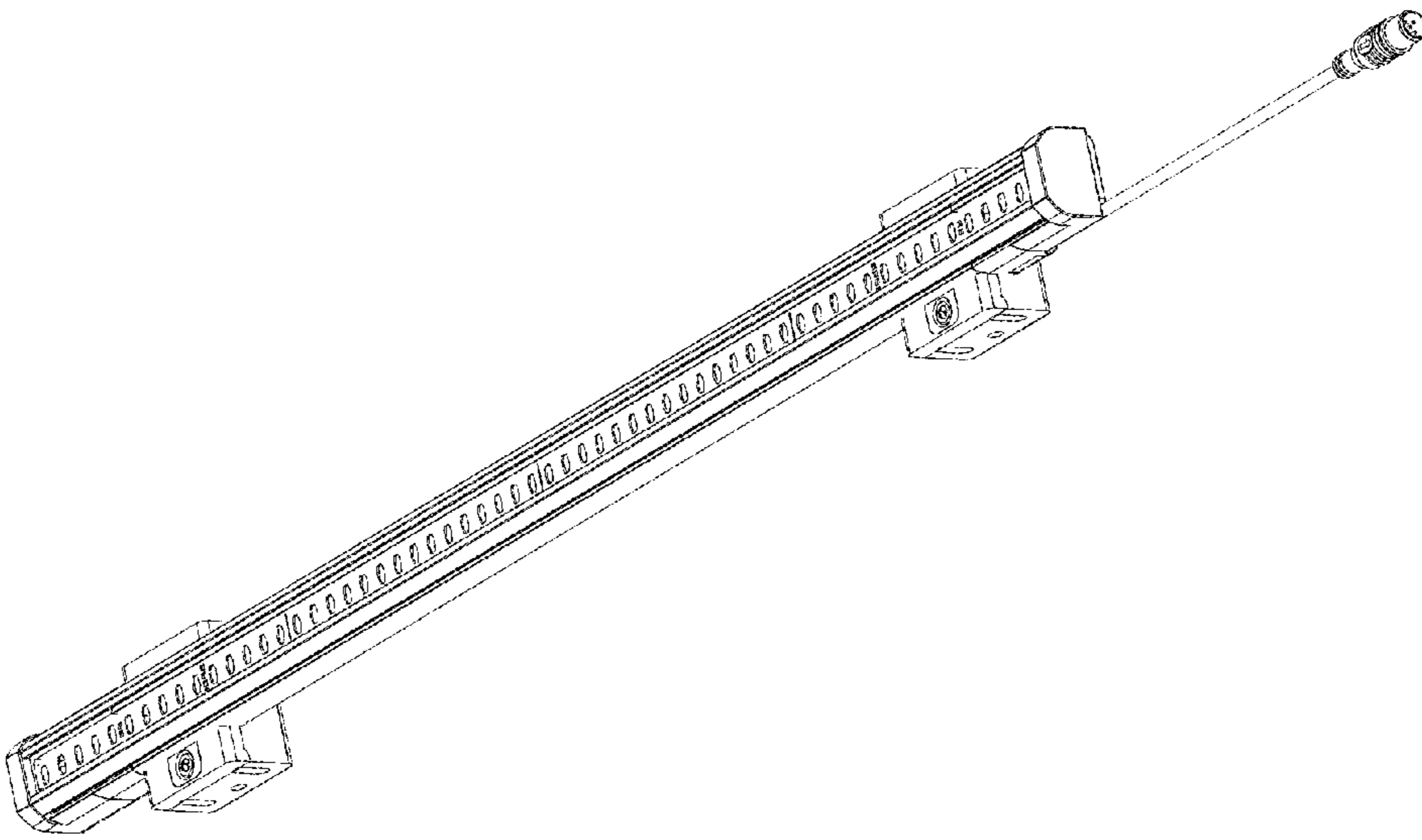


Fig. 1

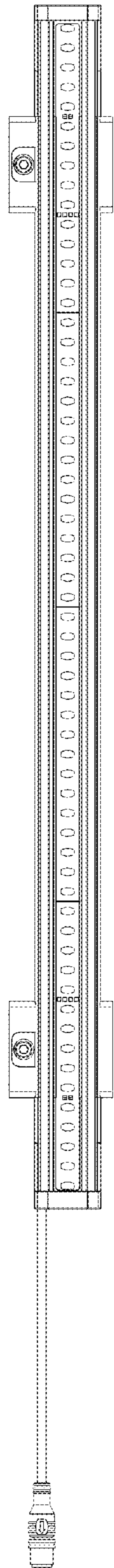


Fig. 2

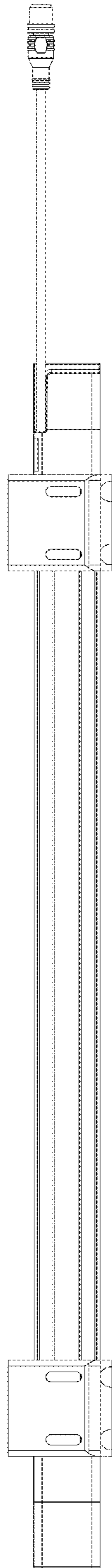


Fig. 3

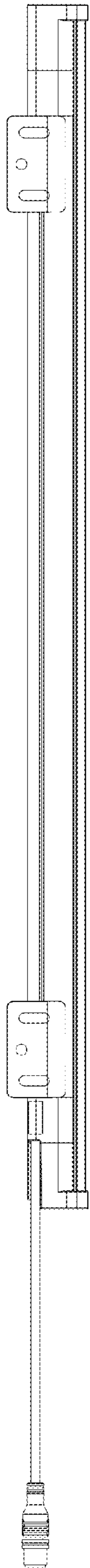


Fig. 4

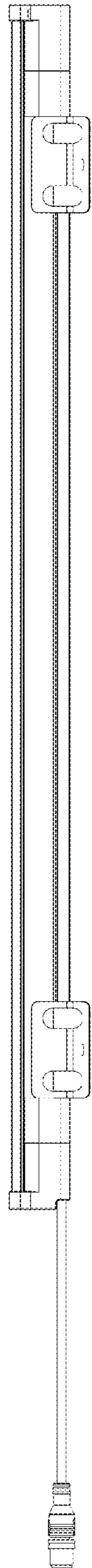


Fig. 5

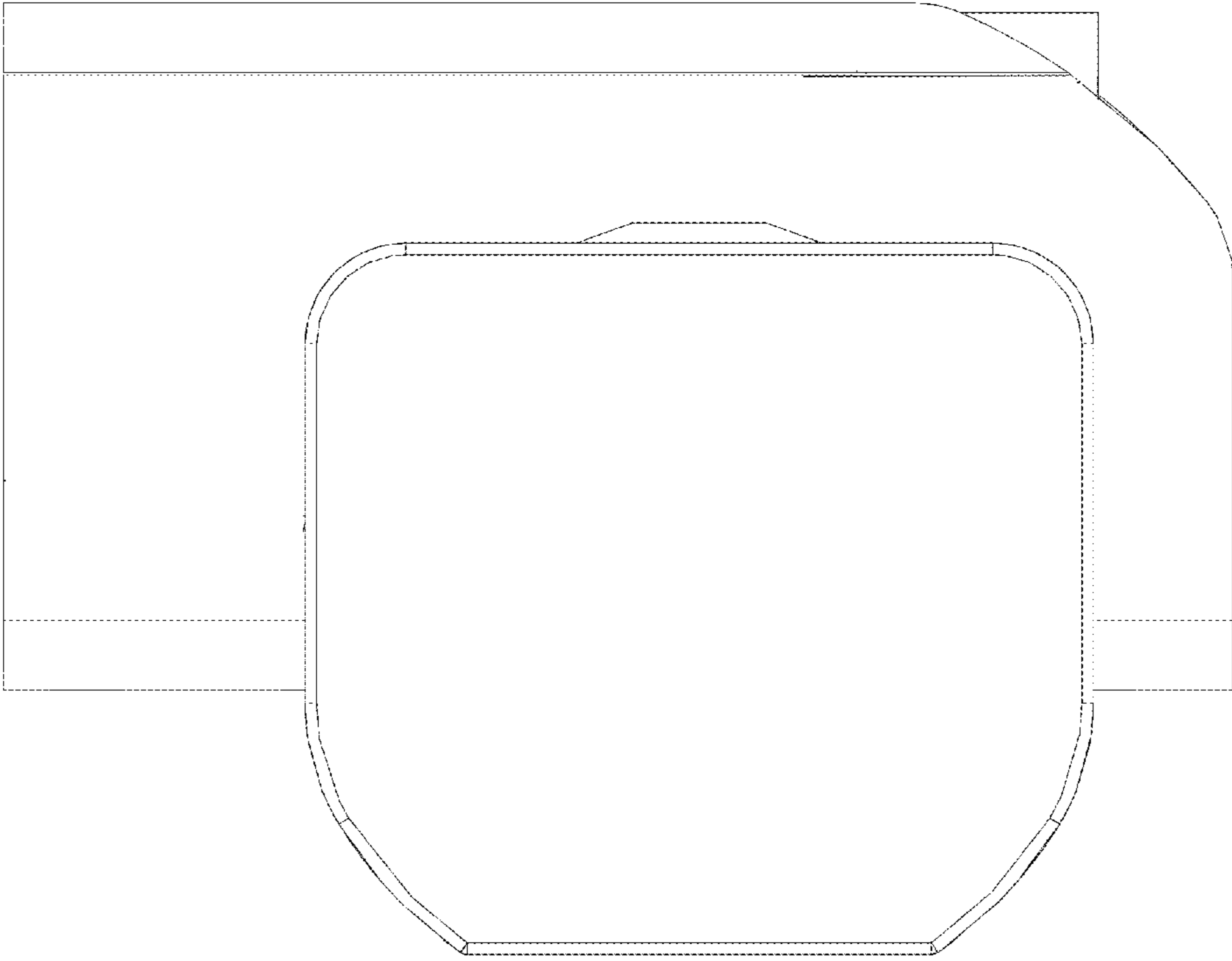


Fig. 6

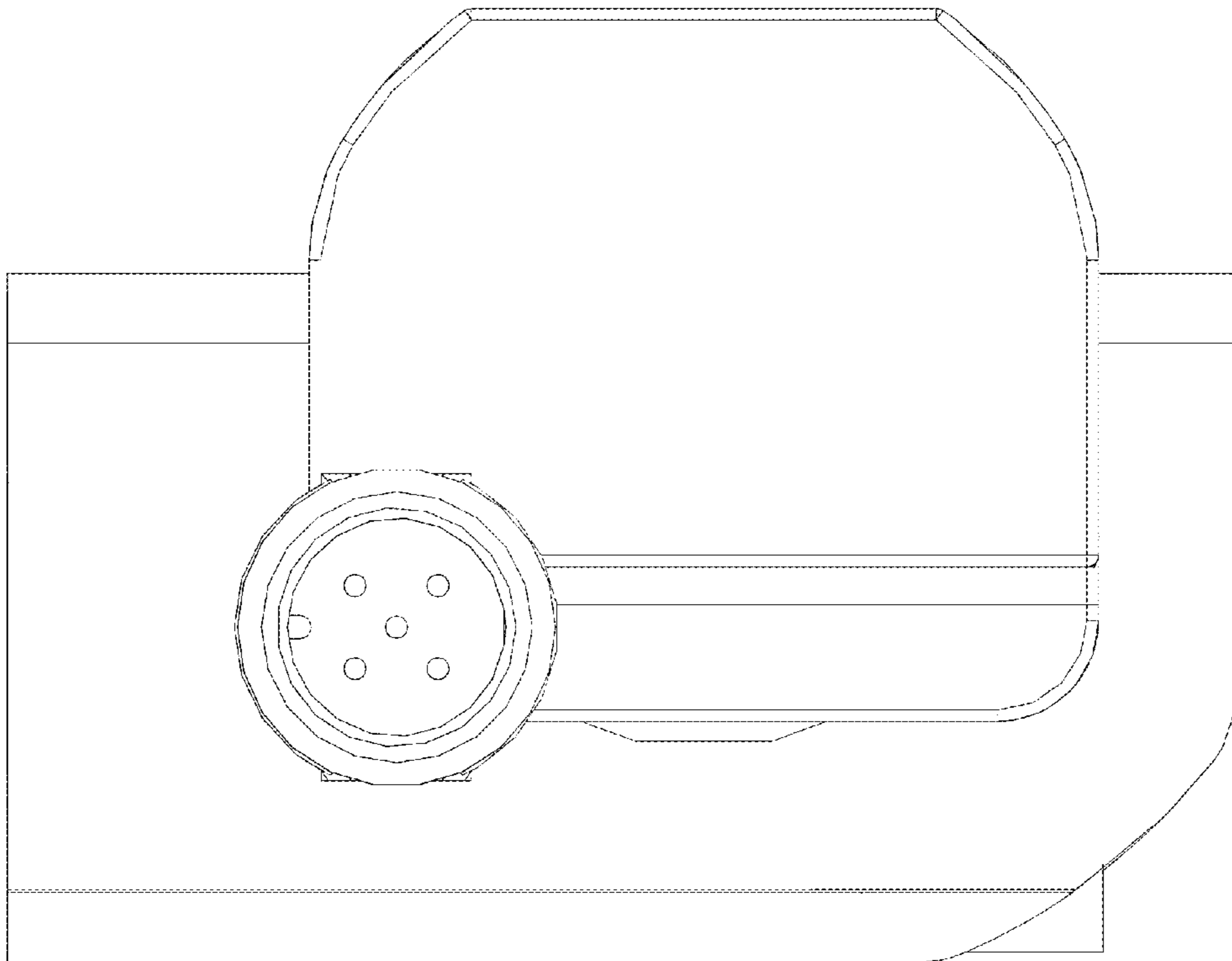


Fig. 7