



US00D765526S

(12) **United States Design Patent** (10) **Patent No.:** **US D765,526 S**
Szczepanski (45) **Date of Patent:** **** Sep. 6, 2016**

(54) **VINYL SIDING SCORING TOOL**
(71) Applicant: **Richard James Szczepanski**, Delavan, WI (US)
(72) Inventor: **Richard James Szczepanski**, Delavan, WI (US)

6,839,971 B2 * 1/2005 Schafer B26B 29/06
33/1 B
D582,305 S * 12/2008 Coplan D10/71
8,499,467 B2 * 8/2013 Elardo B26B 29/06
33/32.3

(**) Term: **15 Years**

* cited by examiner

(21) Appl. No.: **29/505,366**

Primary Examiner — Antoine D Davis

(22) Filed: **Sep. 28, 2015**

(51) **LOC (10) Cl.** **10-04**

(52) **U.S. Cl.**
USPC **D10/71; D10/64**

(58) **Field of Classification Search**
USPC D10/64, 71; D19/37, 72, 108, 113, 133
CPC B26B 29/00; B26B 29/02; B26B 29/025;
B26B 29/04; B26B 29/06; B26B 29/063;
B26B 2029/066; Y10T 83/0348; Y10T
83/0341; Y10T 83/0333; Y10T 83/0356;
Y10T 83/0363; Y10T 83/037; Y10T 83/0378;
Y10T 83/0385; Y10T 83/0393
See application file for complete search history.

(57) **CLAIM**
I claim, the ornamental design of a vinyl siding scoring tool, as shown and described.

DESCRIPTION

(56) **References Cited**

U.S. PATENT DOCUMENTS

D339,305 S * 9/1993 Klein D10/71
D364,177 S * 11/1995 Lewis D10/71
D372,432 S * 8/1996 Sawano D10/62
D430,811 S * 9/2000 DeVos D10/71
6,334,259 B1 * 1/2002 Harvey B26B 29/06
33/411

FIG. 1 is a top perspective view of a vinyl siding scoring tool with the adjustment stop forward, with magnified view of the utility knife slot, which is a cut in the main body with a width slightly larger than the blade on a utility knife.
FIG. 2 is a top perspective view of a vinyl siding scoring tool with the adjustment stop towards the rear of the tool, with magnified view of the utility knife slot.
FIG. 3 is a bottom perspective view of a vinyl siding scoring tool with adjustment stop towards the rear of the tool.
FIG. 4 is a top view.
FIG. 5 is a bottom view.
FIG. 6 is a left side view.
FIG. 7 is a right side view.
FIG. 8 is a front view (broken lines help show scoring gap); and,
FIG. 9 is a back view.

1 Claim, 3 Drawing Sheets

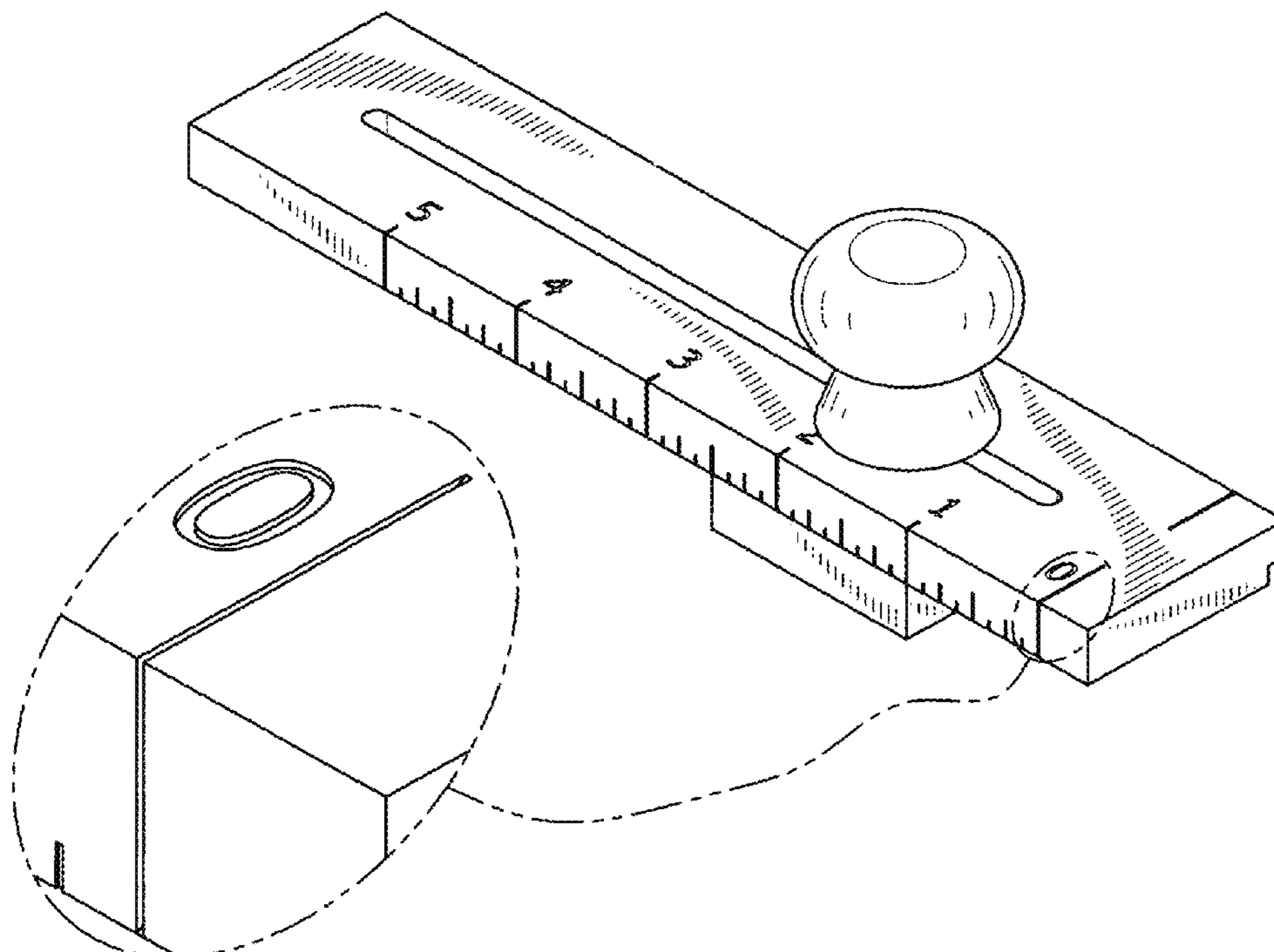


FIG. 1

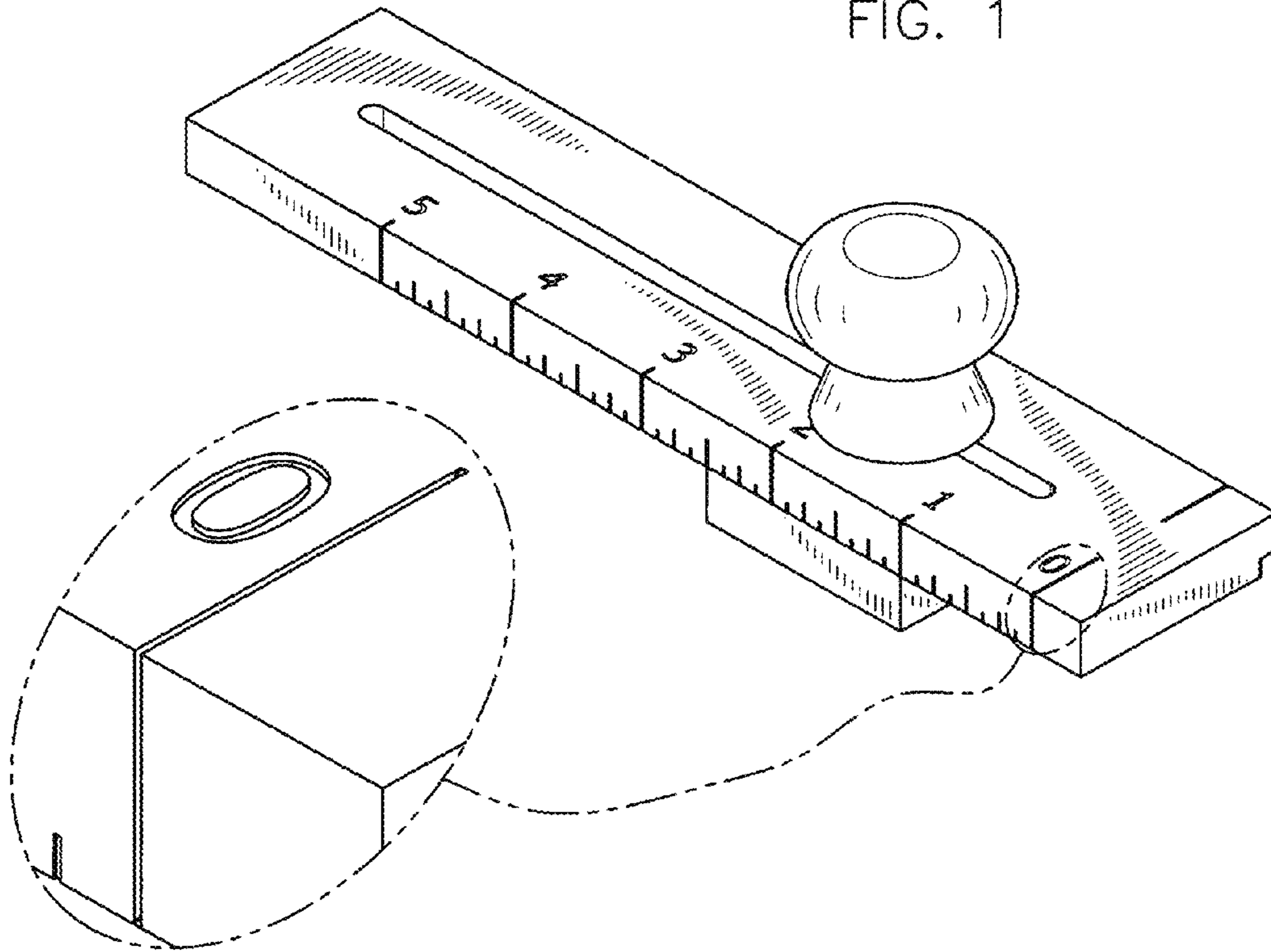


FIG. 2

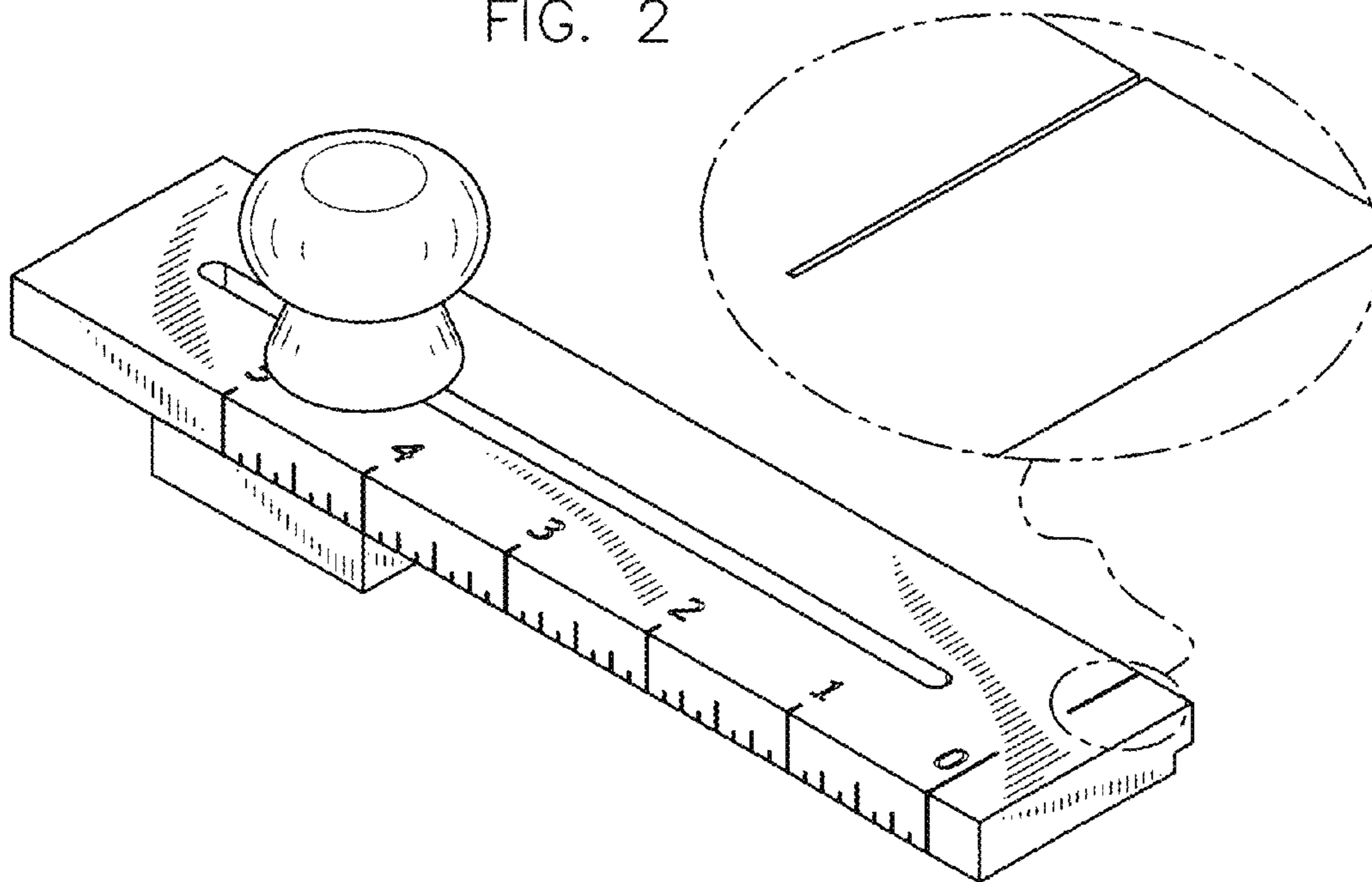


FIG. 3

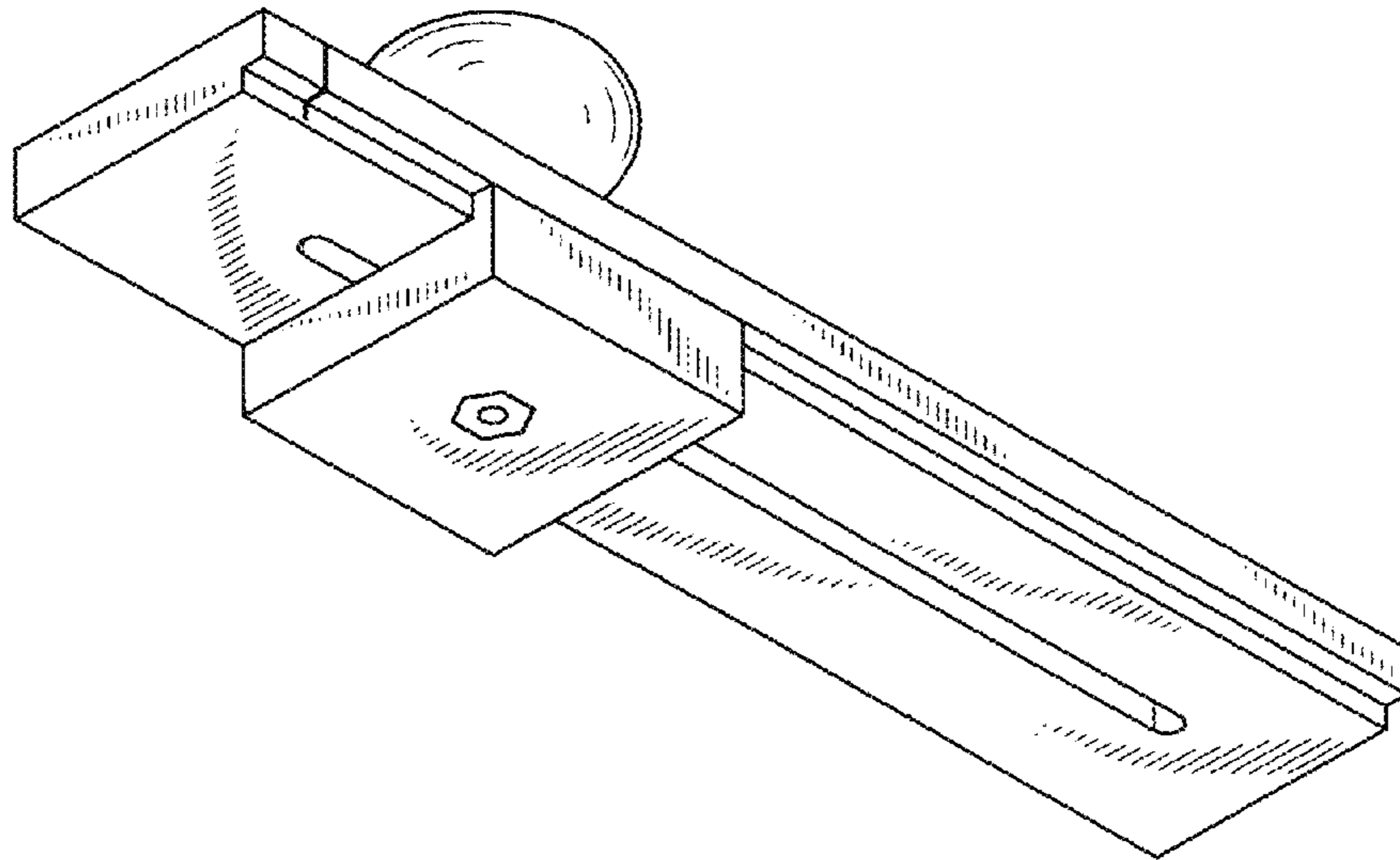


FIG. 4

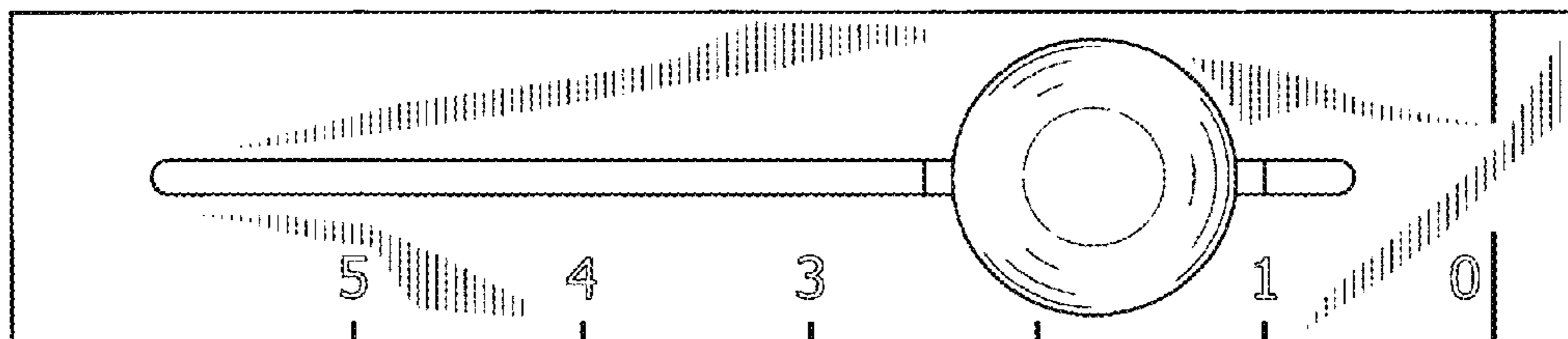


FIG. 5

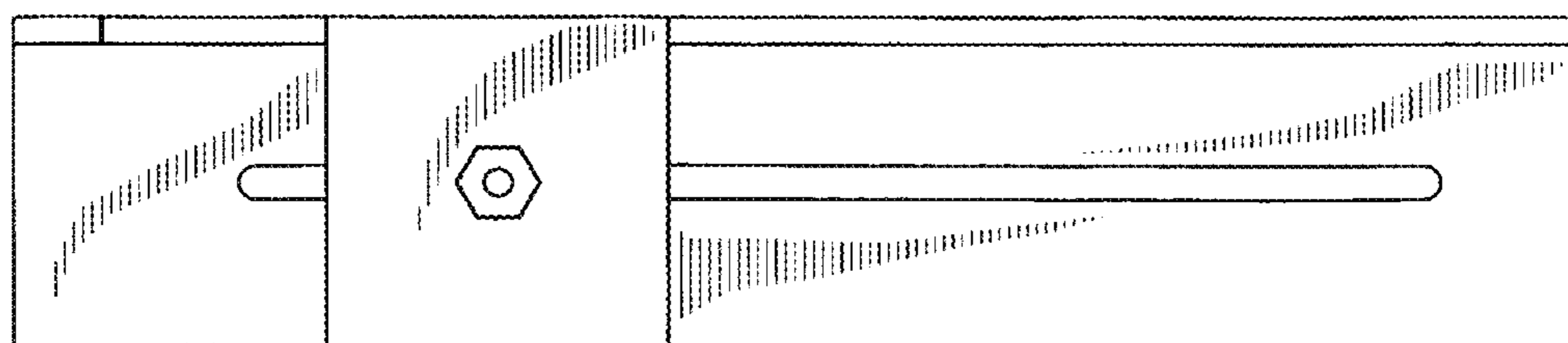


FIG. 6

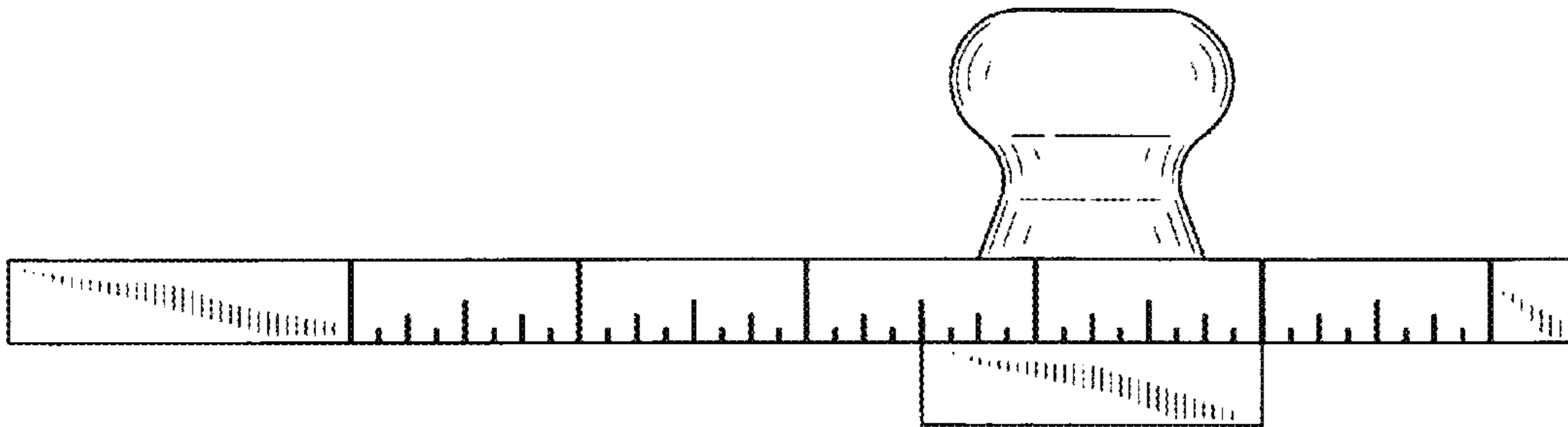


FIG. 7

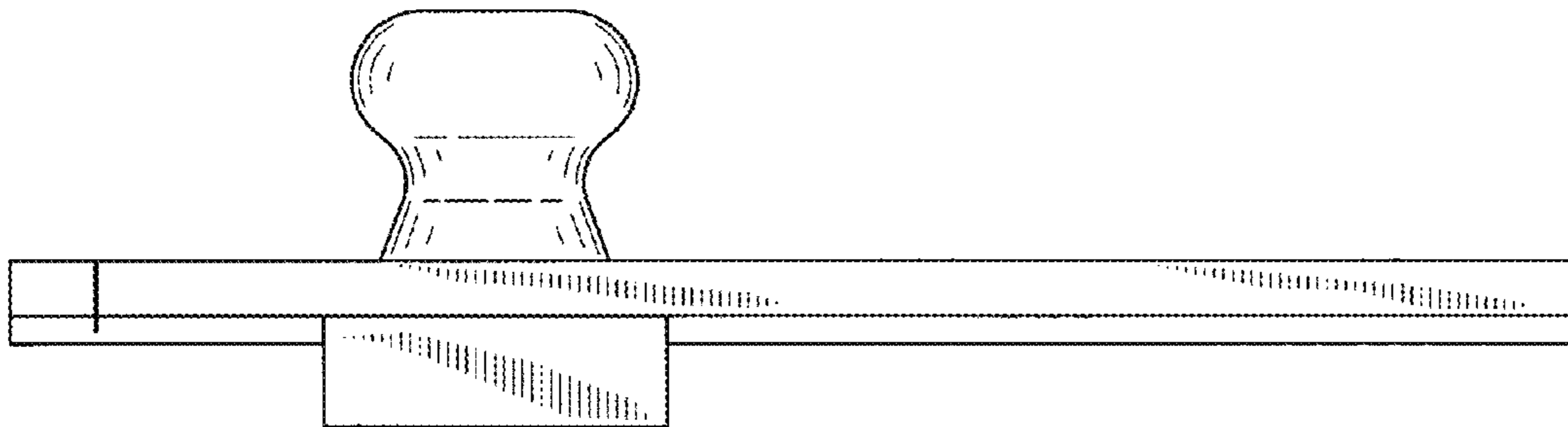


FIG. 8

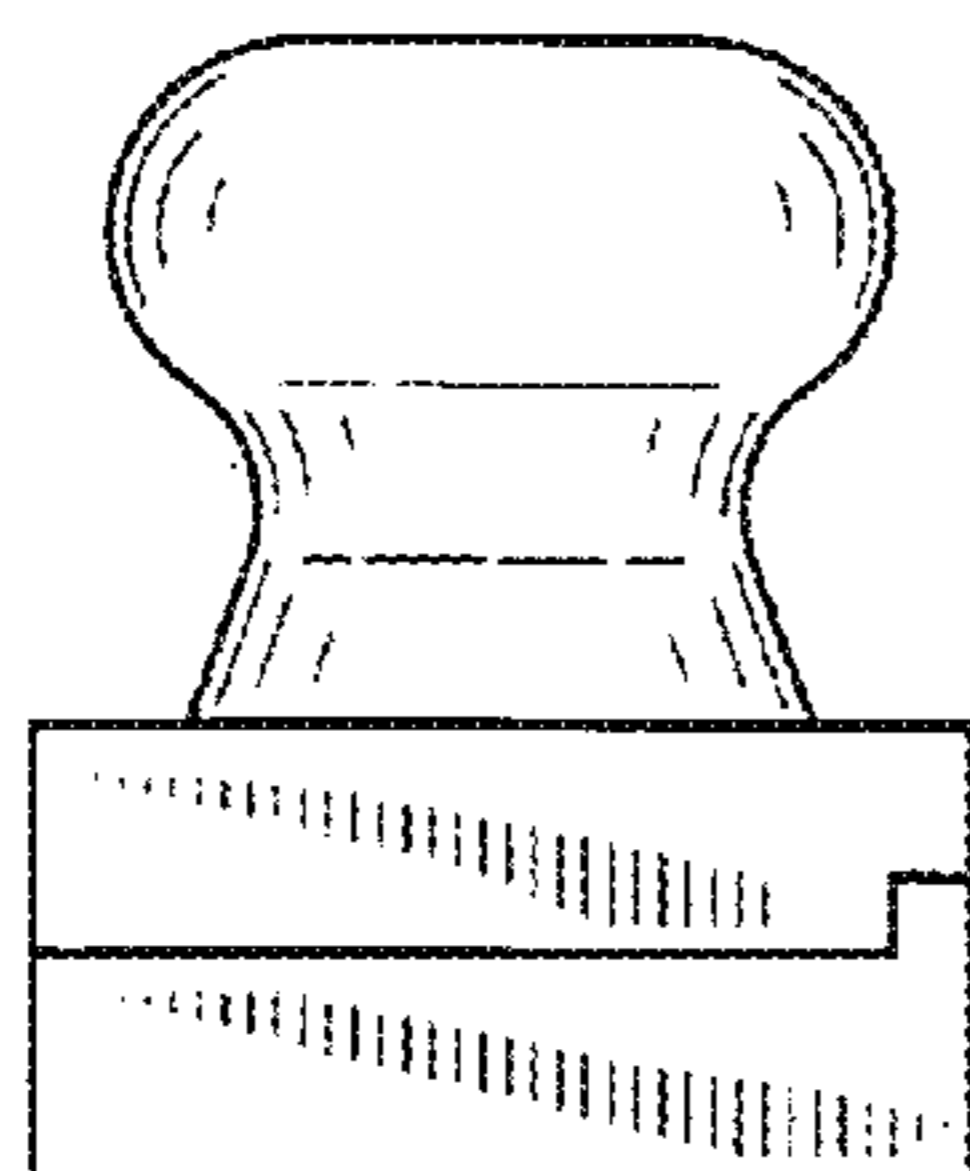


FIG. 9

