



US00D76525S

(12) **United States Design Patent**
Huang et al.

(10) **Patent No.:** **US D765,525 S**

(45) **Date of Patent:** **** Sep. 6, 2016**

(54) **ACTIVITY TRACKER MODULE**

(71) Applicant: **ANHUI HUAMI INFORMATION TECHNOLOGY CO., LTD.**, Hefei, Anhui (CN)

(72) Inventors: **Wang Huang**, Beijing (CN); **Xiaoxi Shi**, Mountain View, CA (US); **Pengtao Yu**, Mountain View, CA (US); **Yi Zhang**, Anhui (CN); **Lian Zhang**, Anhui (CN); **Yajun Zhao**, Anhui (CN)

(73) Assignees: **Anhui Huami Information Technology Co., Ltd.**, Hefei, Anhui (CN); **Huami Inc.**, Mountain View, CA (US)

(**) Term: **15 Years**

(21) Appl. No.: **29/535,387**

(22) Filed: **Aug. 6, 2015**

(51) **LOC (10) Cl.** **10-04**

(52) **U.S. Cl.**
USPC **D10/70**

(58) **Field of Classification Search**
USPC D10/65, 70
CPC A41D 1/02; A44C 5/0015; A44C 5/02; A44C 5/14; A61B 19/44; A61B 2019/446; A63B 71/06; A63B 26/00; A63B 24/0075; A63B 2071/0663; G09F 3/005; G06F 1/163; G06F 3/038; G06F 3/03547; G04G 17/00; G04G 17/08
See application file for complete search history.

(56) **References Cited**

U.S. PATENT DOCUMENTS

D668,164 S * 10/2012 Cowles D10/70
D700,080 S * 2/2014 Broadbent D10/65

D717,674 S * 11/2014 Vu D10/65
D717,680 S * 11/2014 Park D10/70
D730,761 S * 6/2015 Spaeth D10/70
D731,334 S * 6/2015 Fiedler D10/70
D733,596 S * 7/2015 Goodner D10/70
D736,107 S * 8/2015 Lee D10/70
D743,819 S * 11/2015 Golnik D10/70
D748,507 S * 2/2016 Evans D10/70

* cited by examiner

Primary Examiner — Antoine D Davis

(74) *Attorney, Agent, or Firm* — Young Basile Hanlon & MacFarlane, P.C.

(57) **CLAIM**

The ornamental design for an activity tracker module, as shown and described.

DESCRIPTION

FIG. 1 is a front perspective view of an activity tracker module that can be attached to a wristband.

FIG. 2 is a rear perspective view of the activity tracker module of FIG. 1.

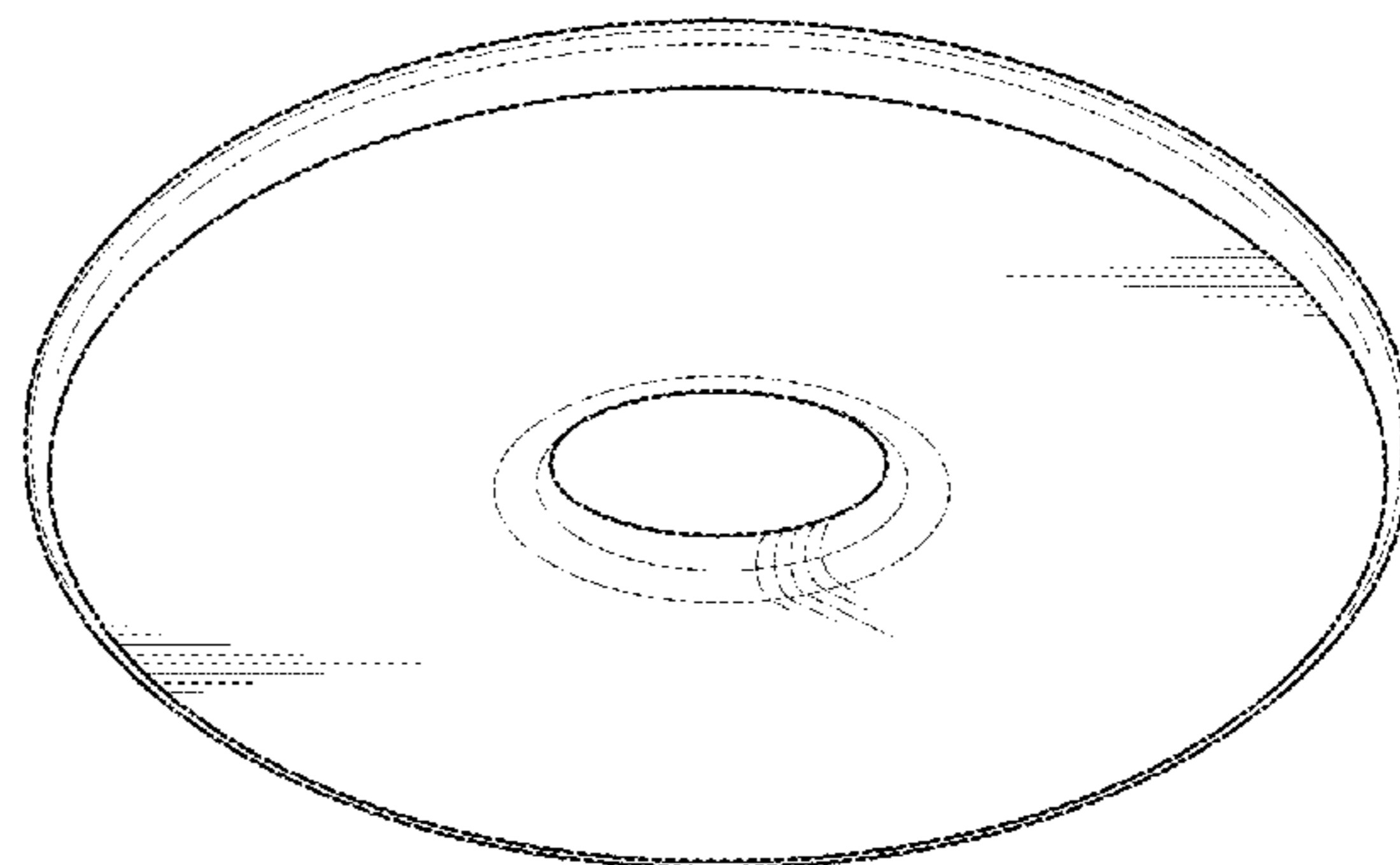
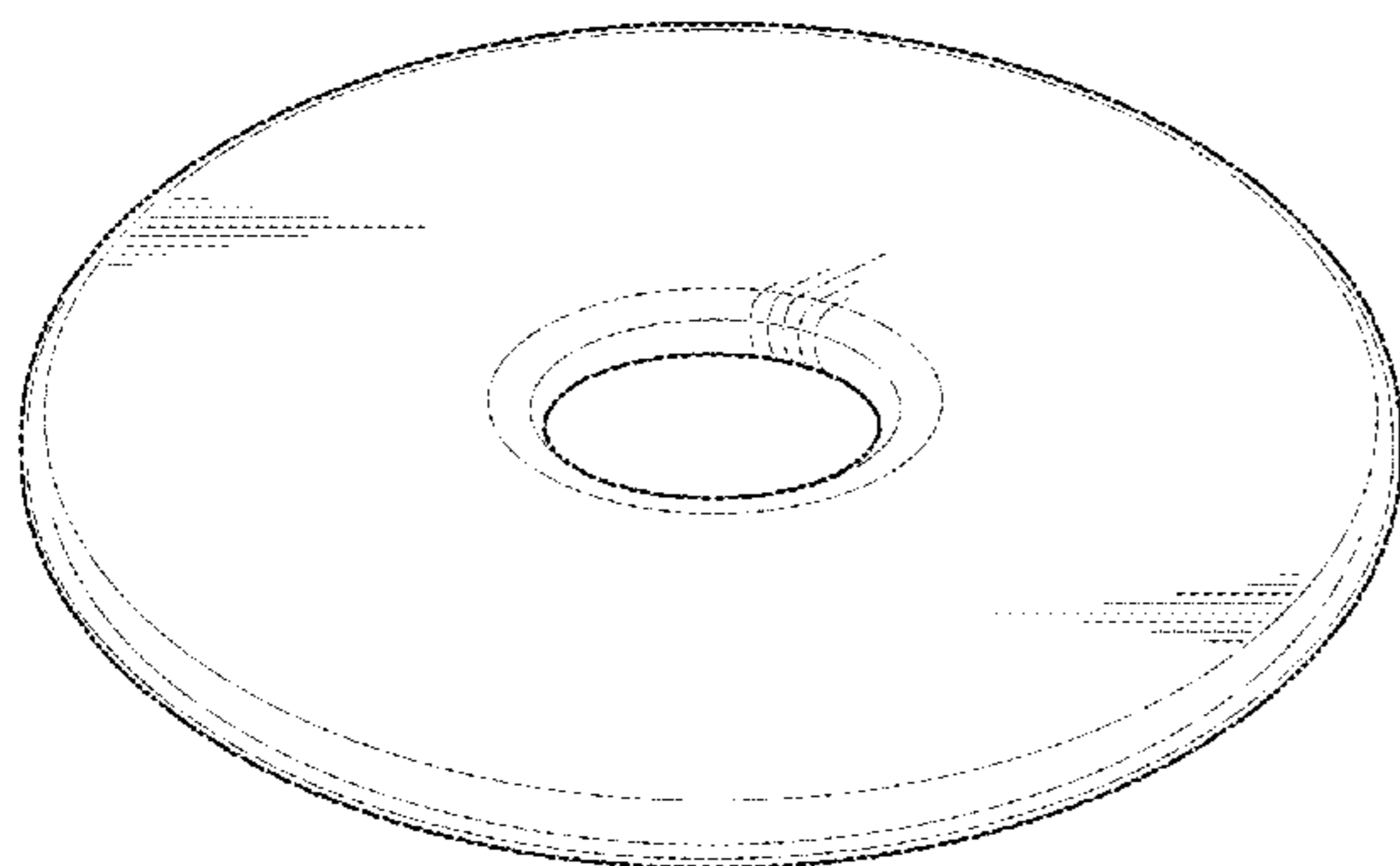
FIG. 3 is a front plan view of the activity tracker module of FIG. 1.

FIG. 4 is a right side view of the activity tracker module of FIG. 1. The left side view, top view and bottom view are identical to the right side view of the activity tracker module; and,

FIG. 5 is a rear plan view of the activity tracker module of FIG. 1.

The shade lines show contour and not surface ornamentation.

1 Claim, 3 Drawing Sheets



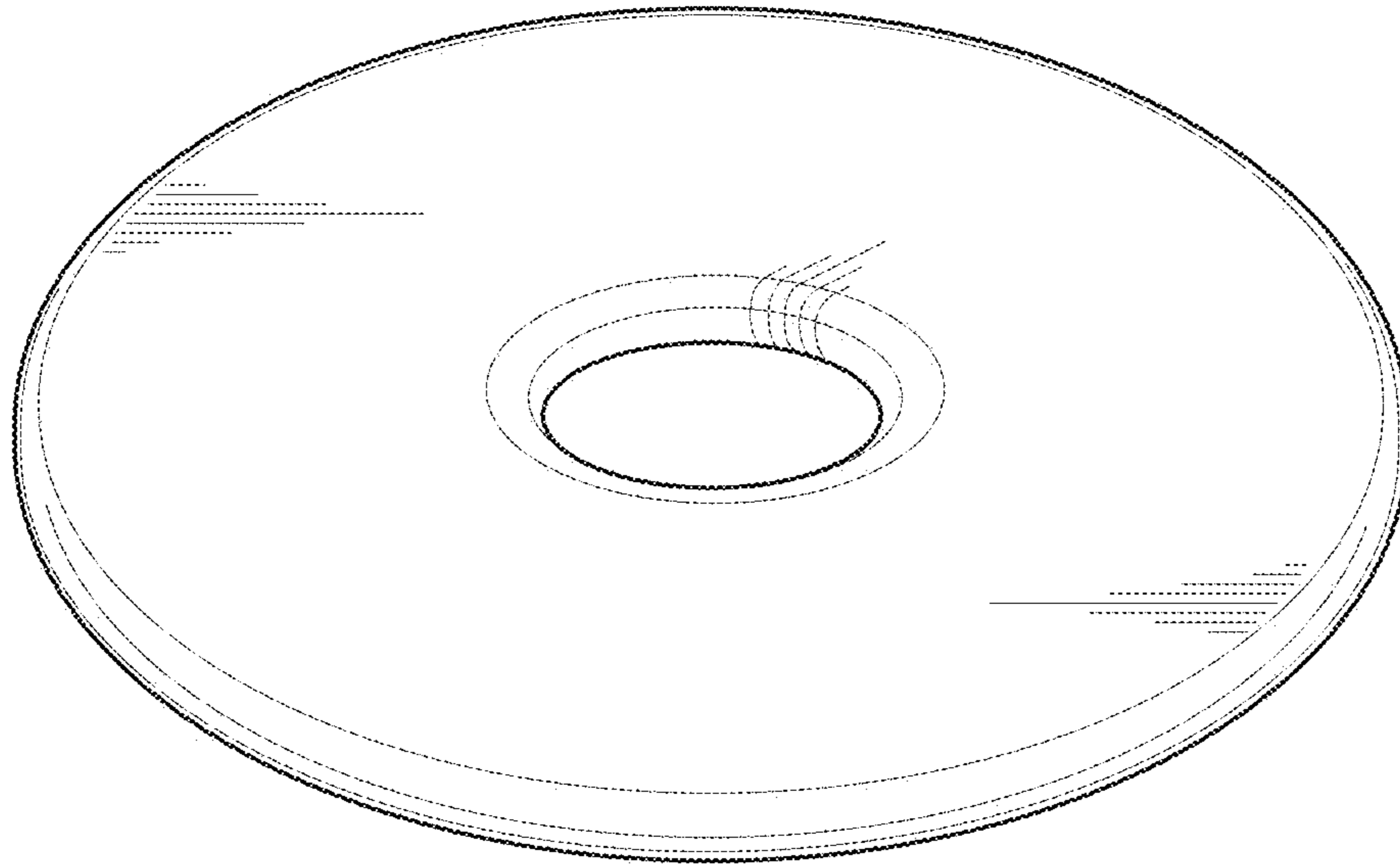


FIG. 1

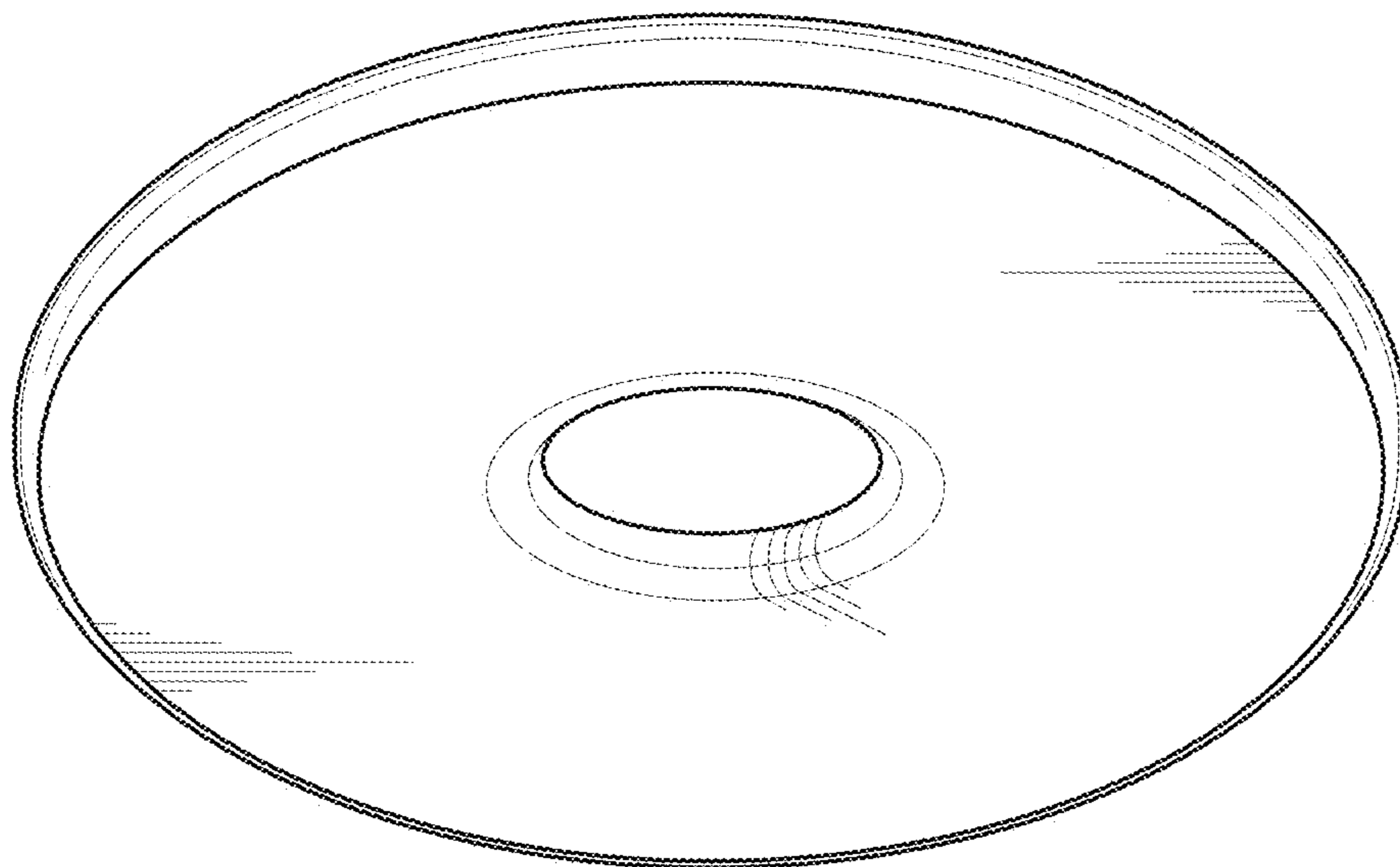


FIG. 2



FIG. 3



FIG. 4



FIG. 5