



US00D765523S

(12) **United States Design Patent**  
**Chapman et al.**

(10) **Patent No.:** **US D765,523 S**

(45) **Date of Patent:** **\*\* Sep. 6, 2016**

(54) **BARBECUE THERMOMETER**

(71) Applicant: **Maverick Industries, Inc.**, Edison, NJ  
(US)

(72) Inventors: **Peter A. Chapman**, Avon By The Sea,  
NJ (US); **Jackson Luk Wah Chu**,  
Kwun Tong (HK)

(73) Assignee: **Maverick Industries, Inc.**, Edison, NJ  
(US)

(\*\*) Term: **15 Years**

(21) Appl. No.: **29/532,397**

(22) Filed: **Jul. 7, 2015**

(51) **LOC (10) Cl.** ..... **10-04**

(52) **U.S. Cl.**  
USPC ..... **D10/57**

(58) **Field of Classification Search**  
USPC ..... D10/57  
CPC ..... G01K 2207/02; G01K 2207/04;  
G01K 2207/06; G01K 2207/08  
See application file for complete search history.

(56) **References Cited**

**U.S. PATENT DOCUMENTS**

6,568,848 B1 \* 5/2003 Chapman ..... G01K 1/024  
340/870.17  
D535,202 S \* 1/2007 Sisk ..... D10/57  
D579,800 S \* 11/2008 Mobley ..... D10/57  
D582,804 S \* 12/2008 Flandin ..... D10/57  
7,722,248 B1 \* 5/2010 Chapman ..... G01K 1/024  
340/870.17

D670,579 S \* 11/2012 Cooney ..... D10/57  
8,920,025 B2 \* 12/2014 Andreatti ..... G01K 1/028  
116/216  
D752,997 S \* 4/2016 Miller ..... D10/52

\* cited by examiner

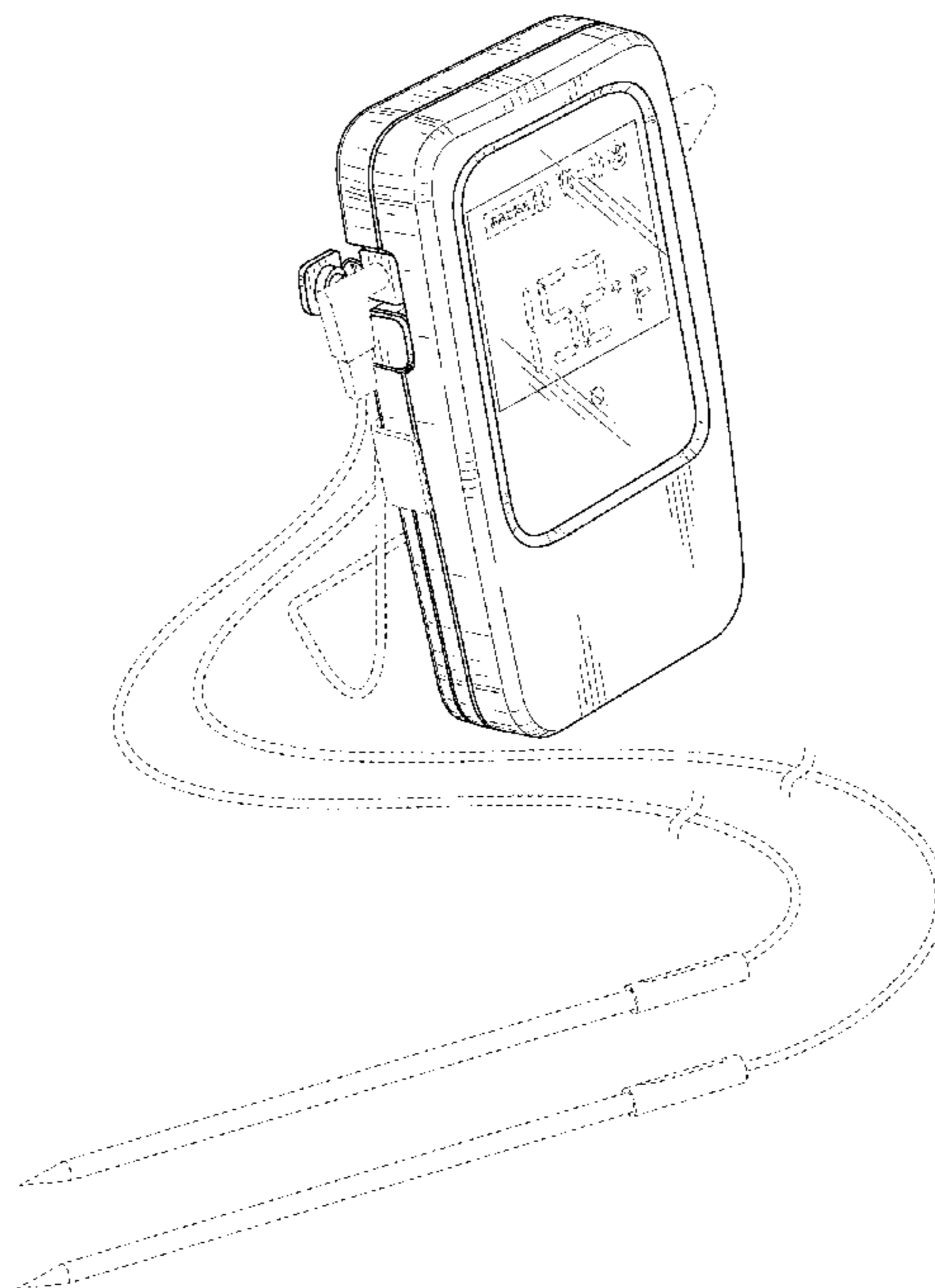
*Primary Examiner* — Antoine D Davis  
(74) *Attorney, Agent, or Firm* — Doherty IP Law Group  
LLC

(57) **CLAIM**  
The ornamental design for a barbecue thermometer, as  
shown and described.

**DESCRIPTION**

FIG. 1 is a perspective view of a barbecue thermometer  
showing my new design;  
FIG. 2 is a front elevation view of the barbecue thermometer  
shown in FIG. 1;  
FIG. 3 is a rear elevation view of the barbecue thermometer  
shown in FIG. 1;  
FIG. 4 is a right side view of the barbecue thermometer  
shown in FIG. 1;  
FIG. 5 is a left side view of the barbecue thermometer shown  
in FIG. 1;  
FIG. 6 is a top plan view of the barbecue thermometer  
shown in FIG. 1;  
FIG. 7 is a bottom view of the barbecue thermometer shown  
in FIG. 1; and,  
FIG. 8 is a second perspective view of the barbecue ther-  
mometer shown in FIG. 1.  
The broken lines in the drawings form no part of the claimed  
design for a barbecue thermometer.

**1 Claim, 5 Drawing Sheets**



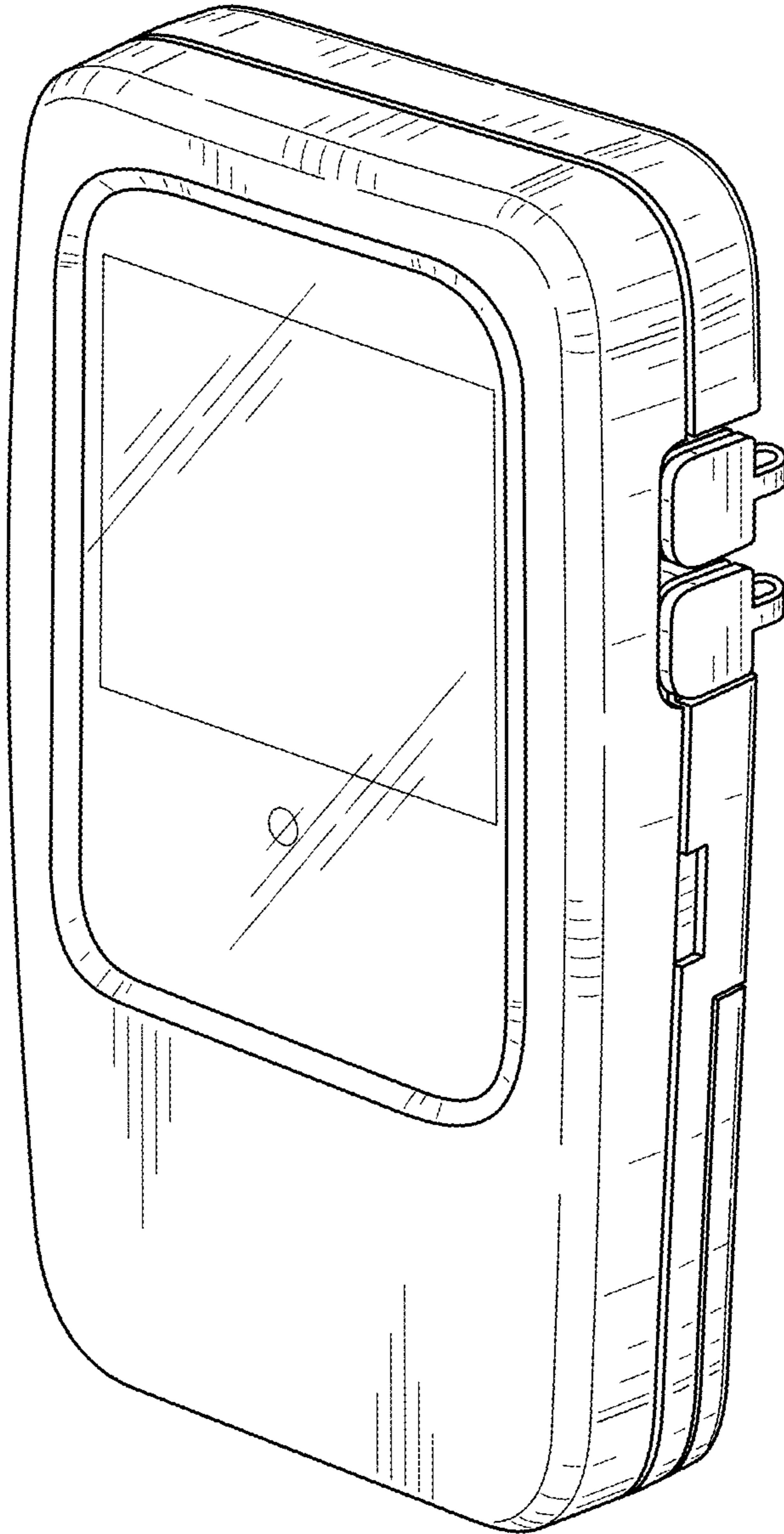


FIG. 1

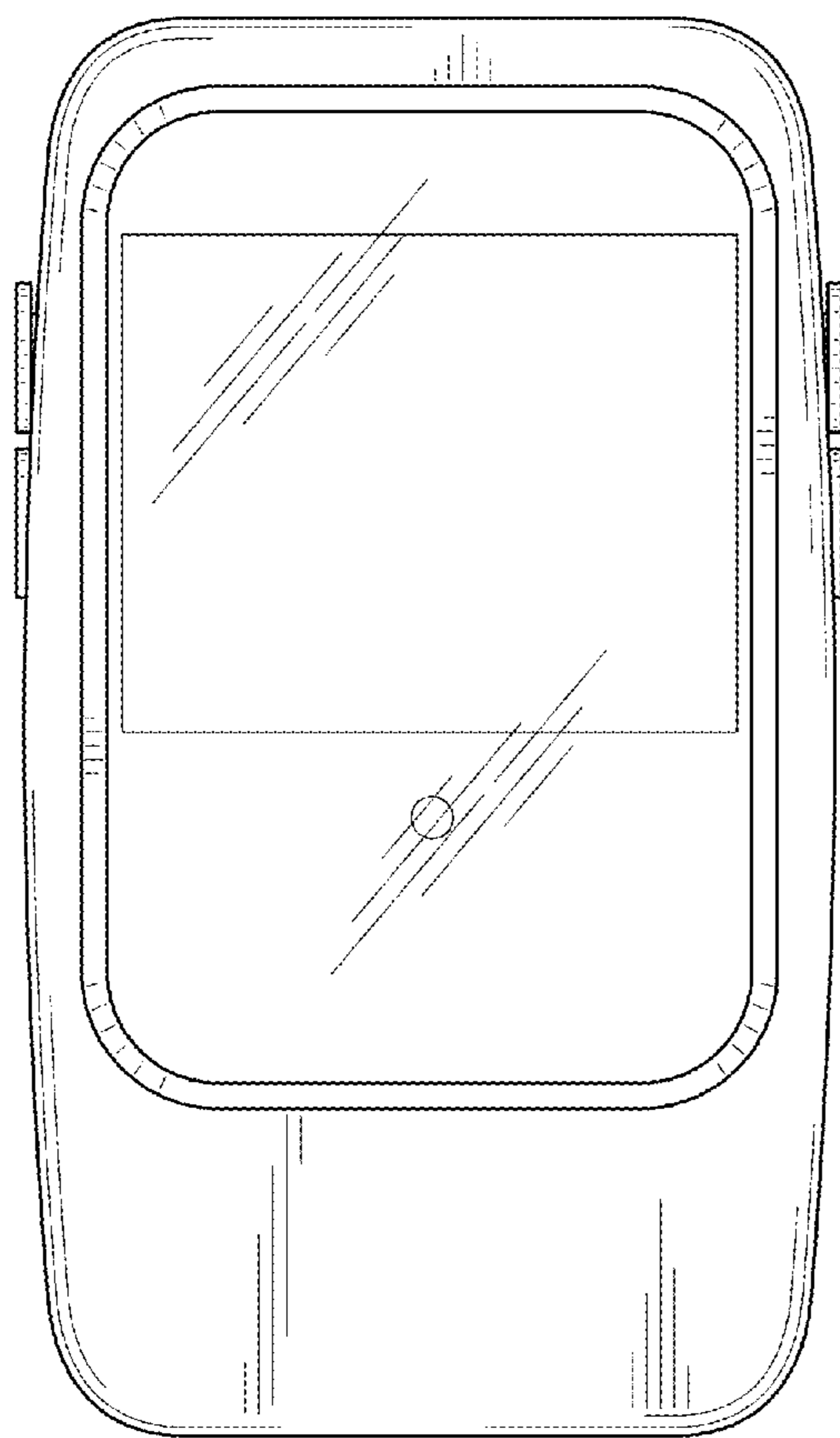


FIG. 2

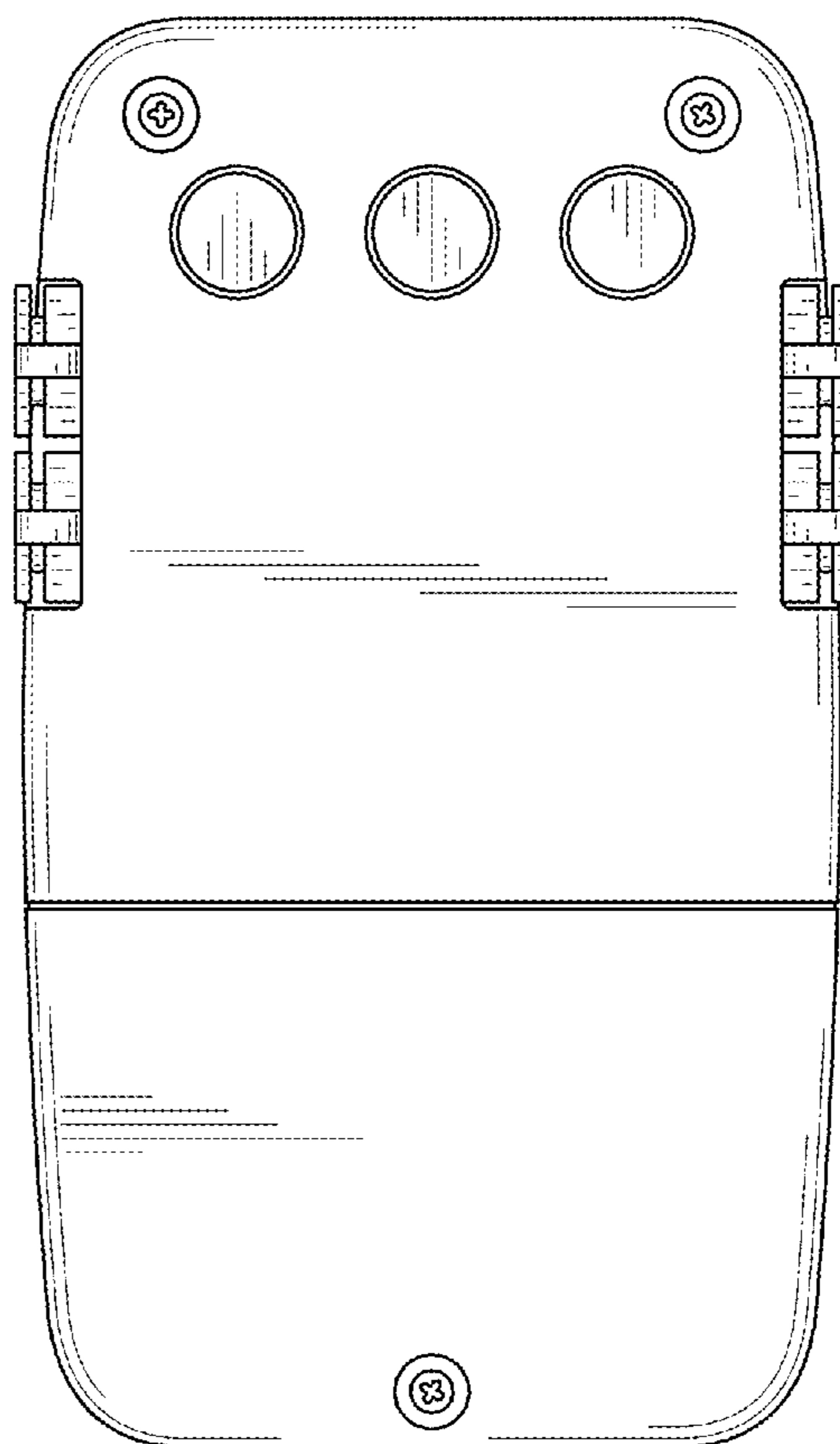


FIG. 3

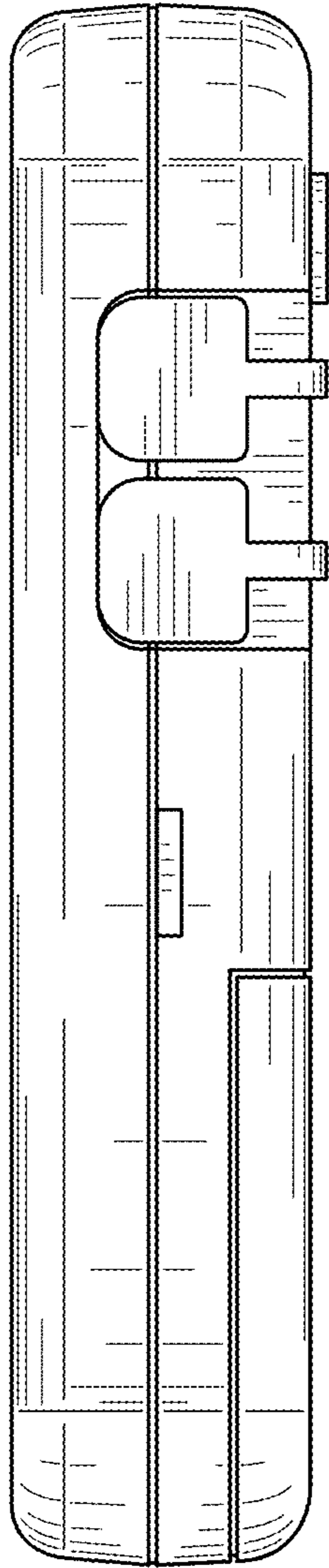


FIG. 4

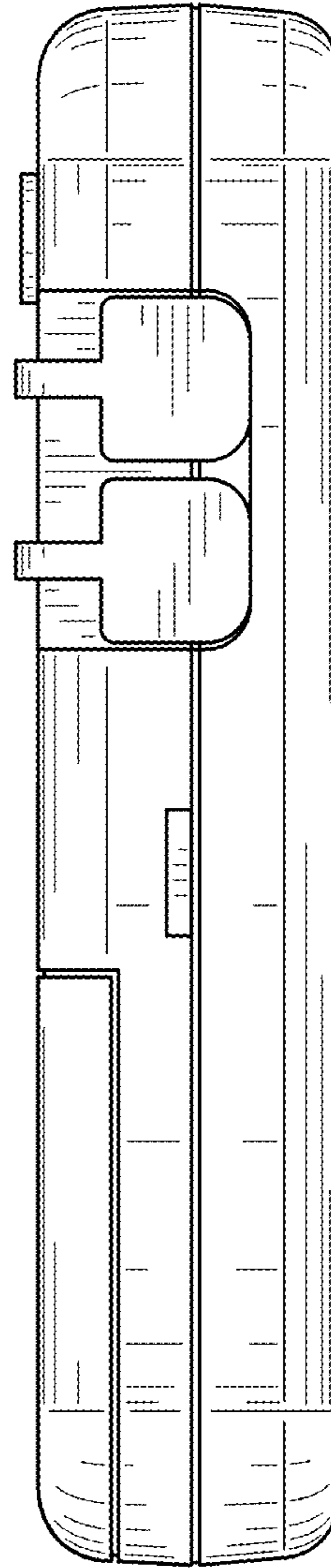


FIG. 5

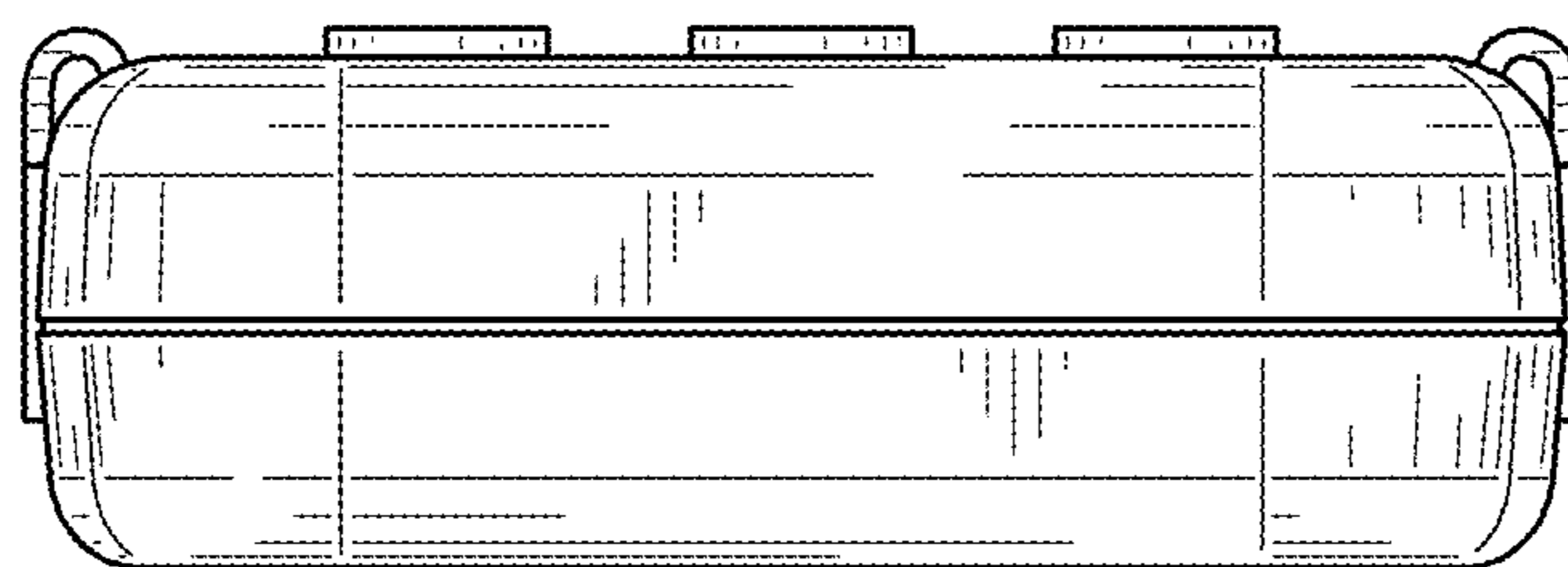


FIG. 6



FIG. 7

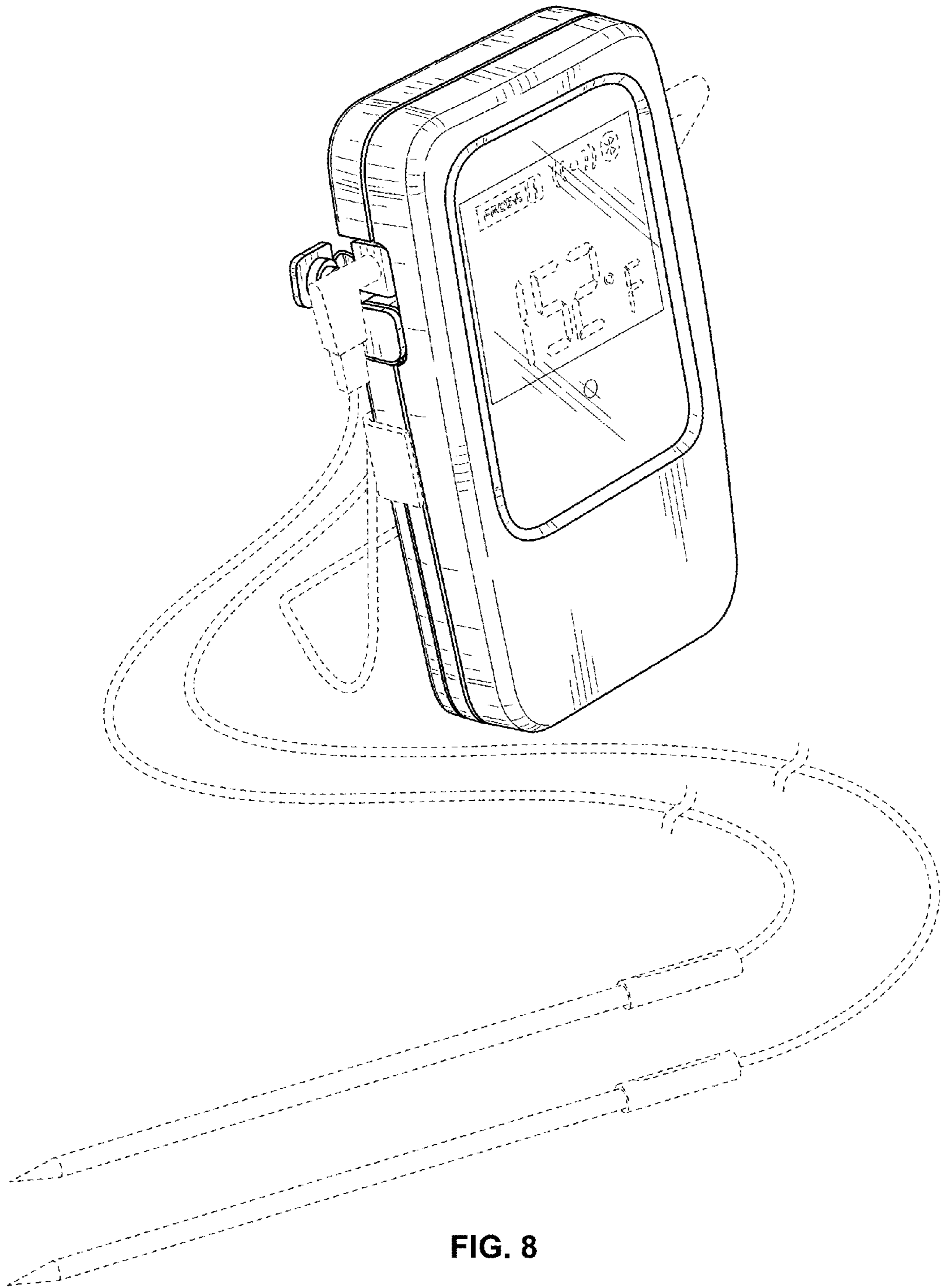


FIG. 8