

US00D765521S

(12) **United States Design Patent** (10) **Patent No.:** **US D765,521 S**
Mille (45) **Date of Patent:** **** Sep. 6, 2016**

(54) **WATCH**
(71) Applicant: **Turlen Holding SA**, Soyhières (CH)
(72) Inventor: **Richard Mille**, Moulins (FR)
(73) Assignee: **TURLEN HOLDING SA**, Soyhieres (CH)
(**) Term: **15 Years**
(21) Appl. No.: **29/533,375**
(22) Filed: **Jul. 16, 2015**
(30) **Foreign Application Priority Data**

D664,047 S * 7/2012 Mille D10/39
D673,868 S * 1/2013 Mille D10/39
D679,199 S * 4/2013 Mille D10/39
D689,378 S * 9/2013 Mille D10/34
D692,323 S * 10/2013 Mille D10/39
D714,662 S * 10/2014 Mille D10/39
D731,900 S * 6/2015 Mille D10/125
D731,901 S * 6/2015 Mille D10/125
D731,902 S * 6/2015 Mille D10/125
D731,903 S * 6/2015 Mille D10/125
D732,405 S * 6/2015 Mille D10/125
D732,406 S * 6/2015 Mille D10/125
D732,407 S * 6/2015 Mille D10/125
D736,653 S * 8/2015 Mille D10/39
D737,693 S * 9/2015 Mille D10/39
D751,422 S * 3/2016 Mille D10/125
D753,512 S * 4/2016 Mille D10/125
D755,646 S * 5/2016 Mille D10/125
D755,647 S * 5/2016 Mille D10/125

Apr. 15, 2015 (WO) DM/086197
(51) **LOC (10) Cl.** **10-02**
(52) **U.S. Cl.**
USPC **D10/30; D10/38; D10/34**
(58) **Field of Classification Search**
USPC D10/30-39, 1-29, 122-132; 368/10,
368/15-18, 21, 28, 37, 80, 223, 228, 232,
368/276, 277, 281, 282, 285, 294, 295, 308,
368/319
CPC G04B 17/00; G04B 17/02; G04B 17/005;
G04B 17/285; G04B 37/00; G04B 37/0008;
G04B 37/0058; G04B 45/00; G04B 45/038;
G04B 45/0069; G04B 45/0076; G04B 45/02;
G04B 29/00
See application file for complete search history.

* cited by examiner

Primary Examiner — Susan Bennett Hattan
Assistant Examiner — Jennifer Wright
(74) *Attorney, Agent, or Firm* — Donald J. Ranft; Kristen A. Mogavero; Collen IP

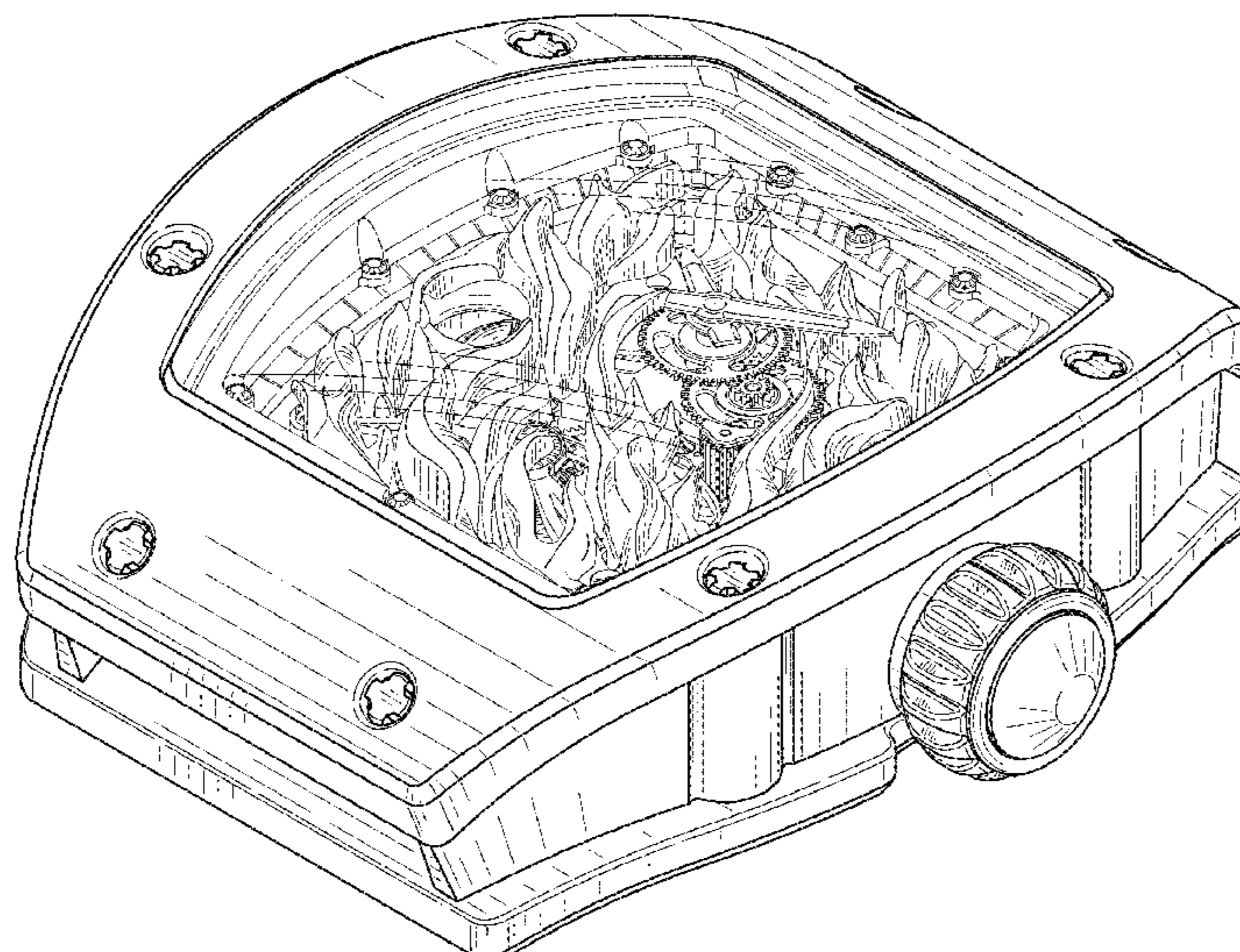
(57) **CLAIM**
The ornamental design for a watch, as shown.

DESCRIPTION

FIG. 1 is a front right perspective view of a watch showing my new design;
FIG. 2 is a rear left perspective view thereof;
FIG. 3 is a front view thereof;
FIG. 4 is a rear view thereof;
FIG. 5 is a left side view thereof;
FIG. 6 is a right side view thereof;
FIG. 7 is a top view thereof;
FIG. 8 is a bottom view thereof;
FIG. 9 is a front left perspective view thereof; and,
FIG. 10 is a rear right perspective view thereof.

(56) **References Cited**
U.S. PATENT DOCUMENTS
D531,346 S * 10/2006 Lin D26/139
D585,346 S * 1/2009 Blank D12/182
D658,514 S * 5/2012 Mille D10/39
D658,515 S * 5/2012 Mille D10/39
D658,516 S * 5/2012 Mille D10/39
D663,220 S * 7/2012 Mouclier D10/1

1 Claim, 8 Drawing Sheets



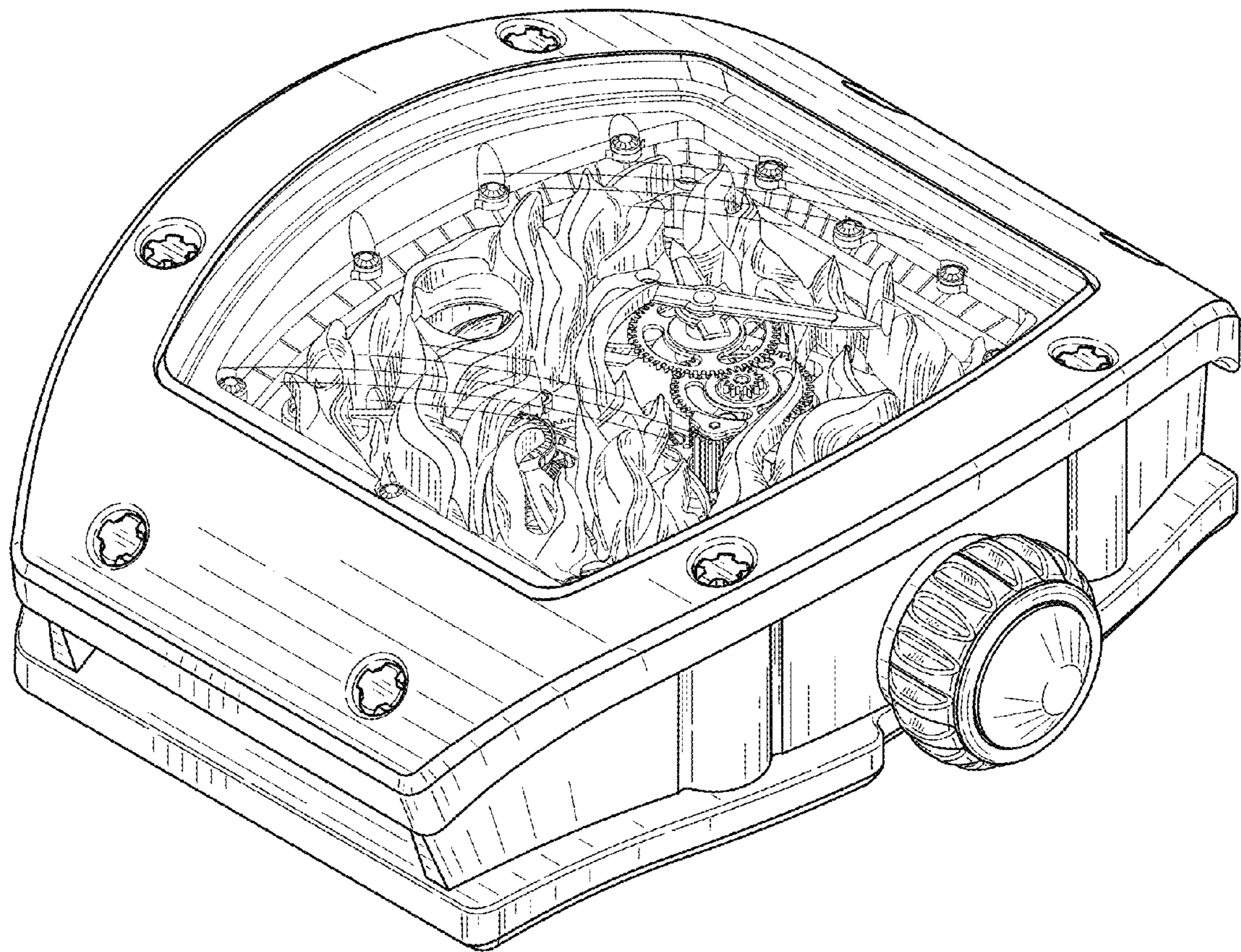


FIG. 1

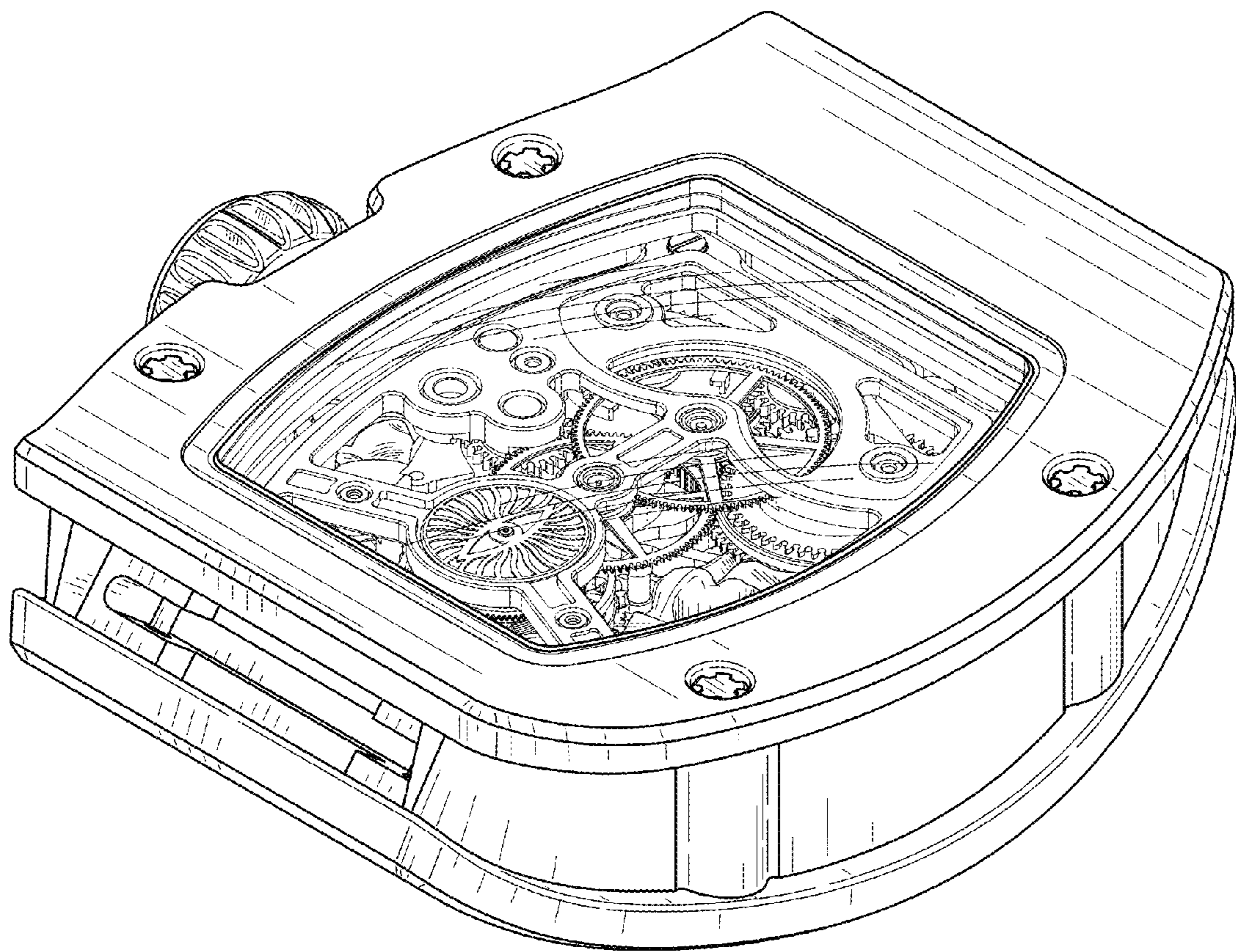


FIG. 2



FIG. 3



FIG. 4

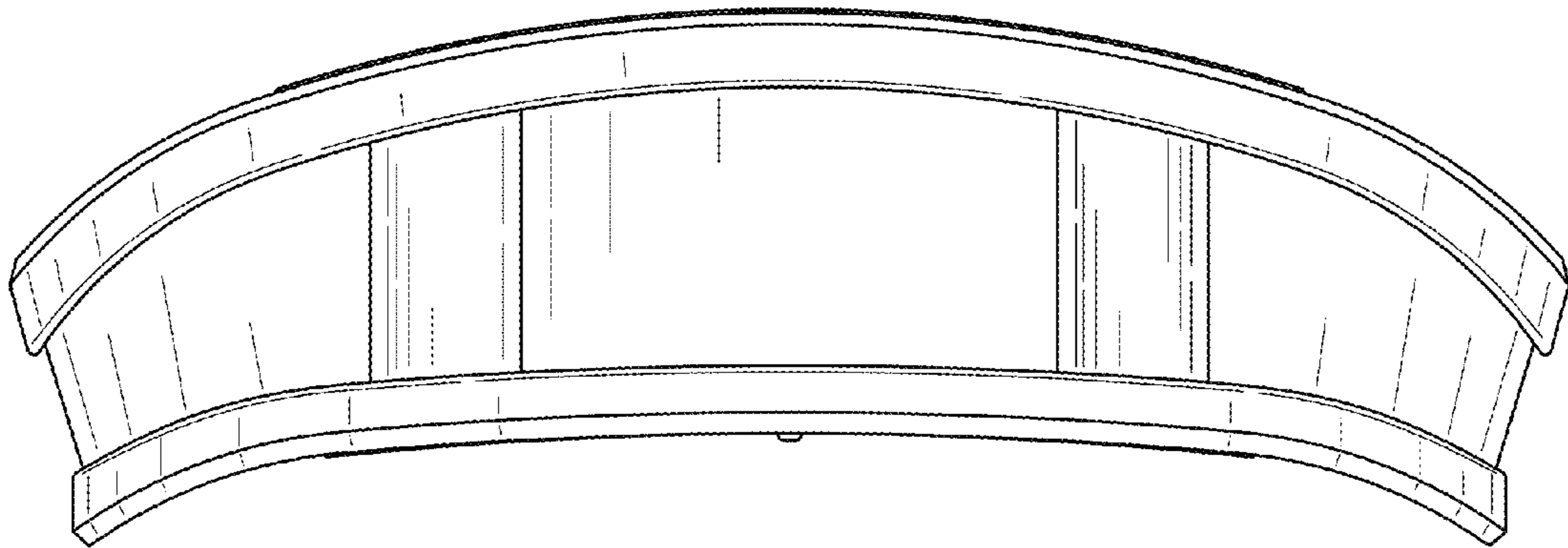


FIG. 5

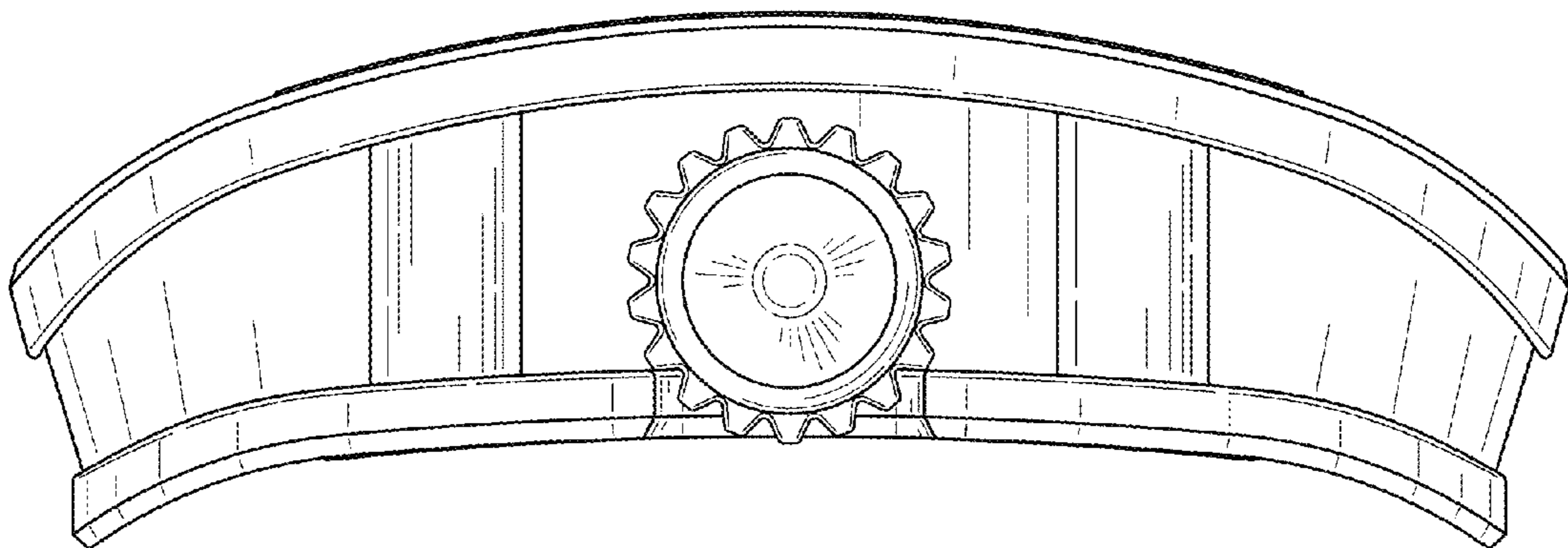


FIG. 6

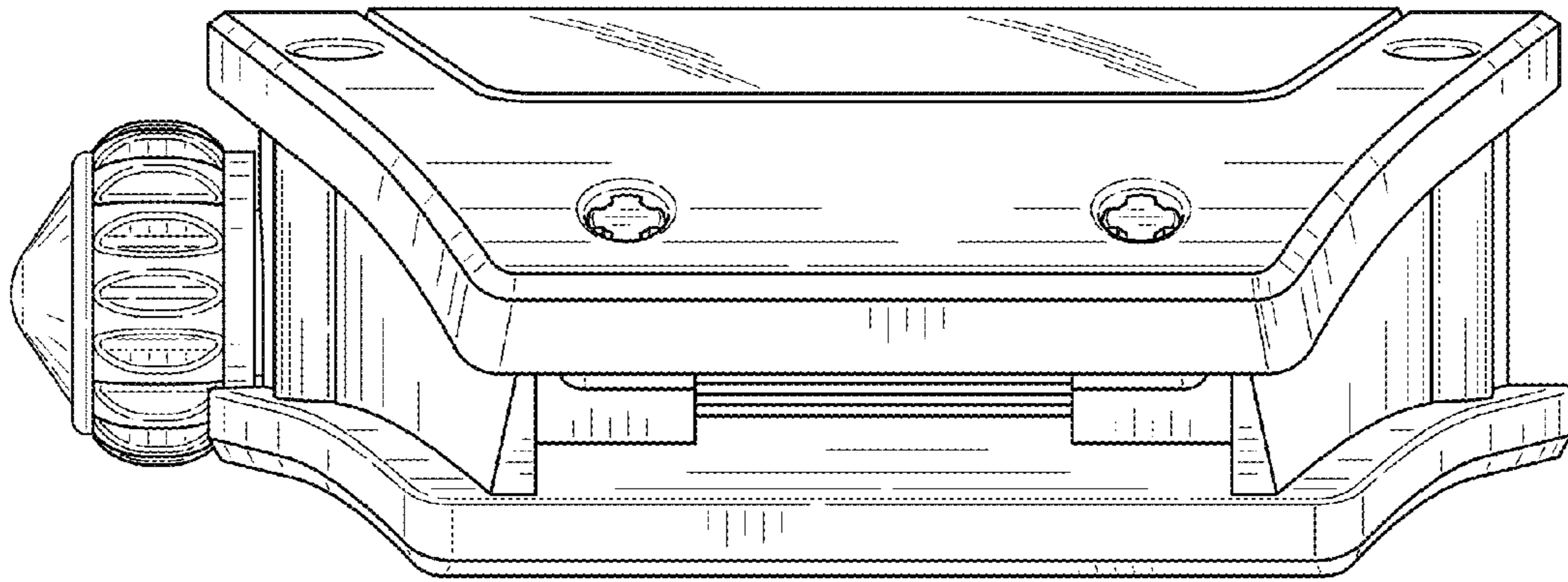


FIG. 7

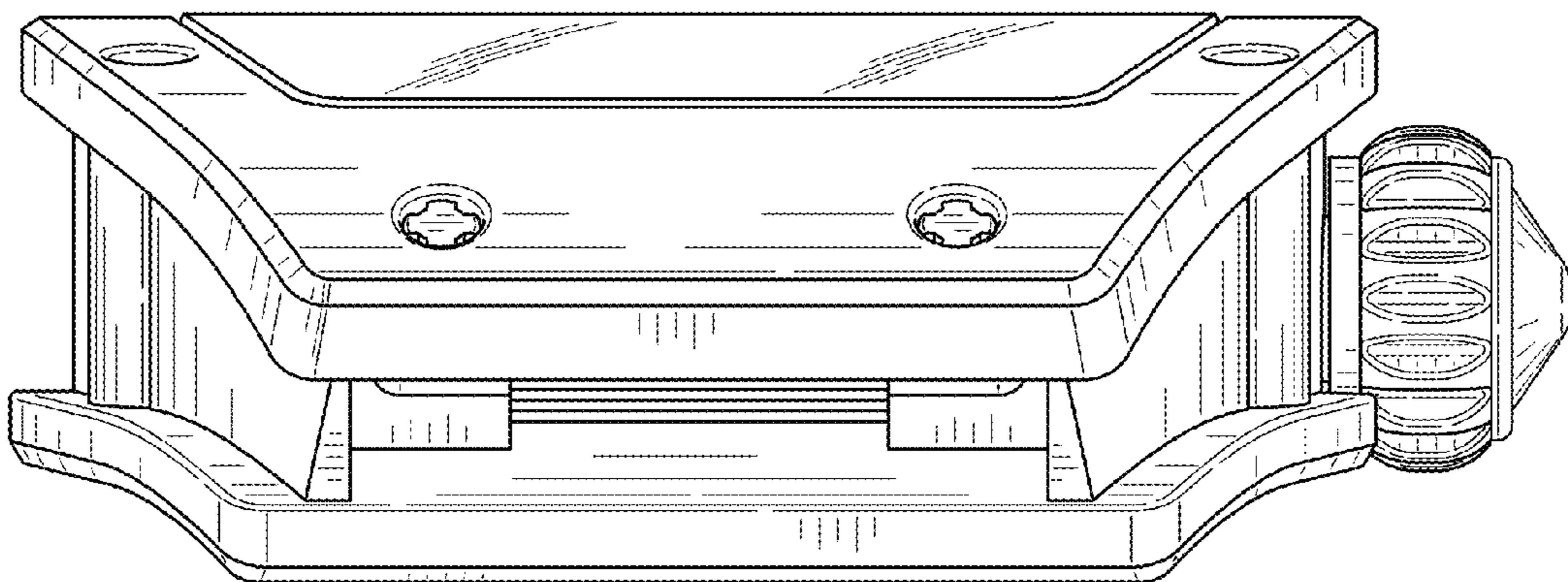


FIG. 8

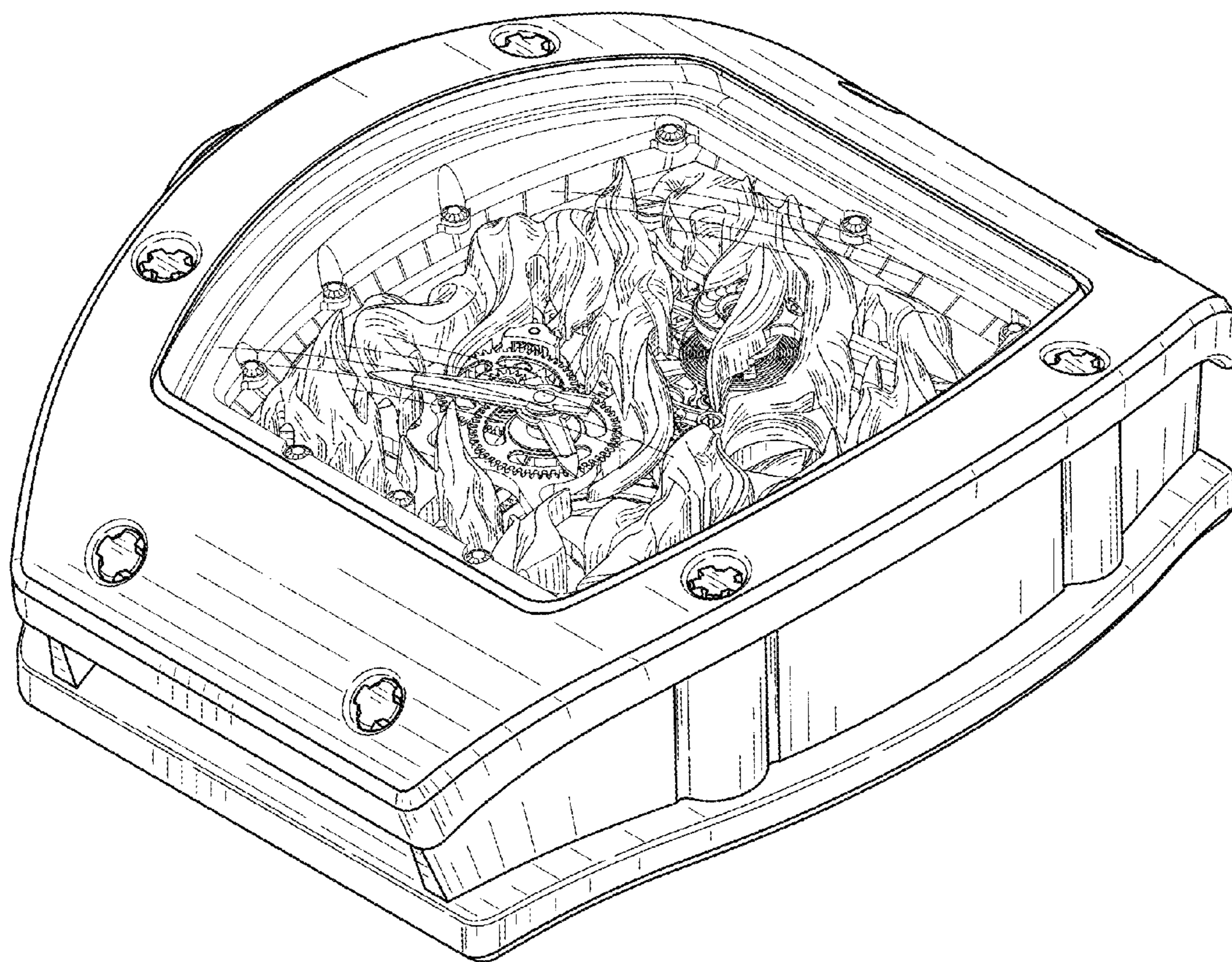


FIG. 9

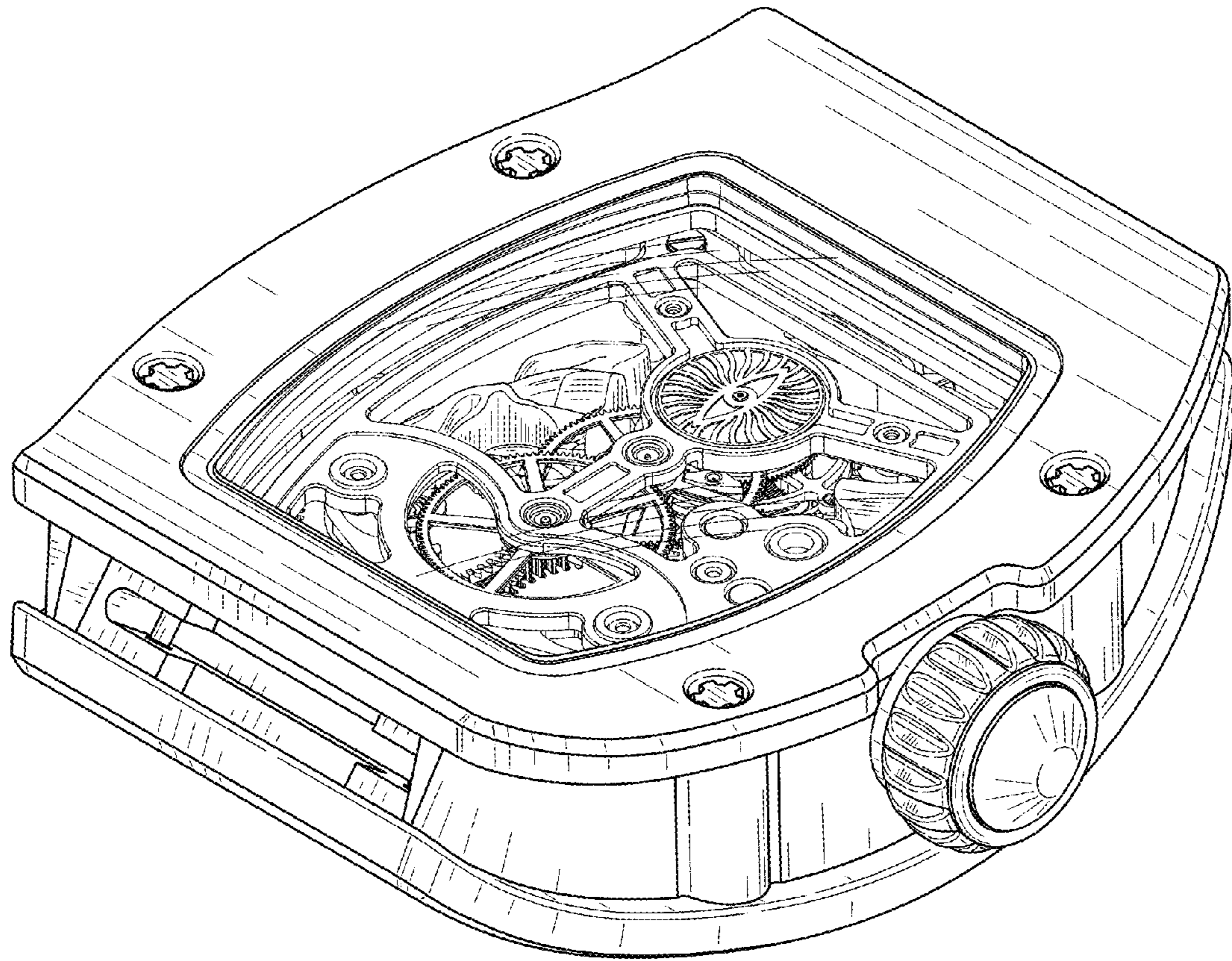


FIG. 10