



US00D765519S

(12) **United States Design Patent**  
**Discko et al.**

(10) **Patent No.:** **US D765,519 S**

(45) **Date of Patent:** **\*\* Sep. 6, 2016**

(54) **POUCH**

(71) Applicant: **Centrix, Inc.**, Shelton, CT (US)

(72) Inventors: **John Discko**, Trumbull, CT (US);  
**Pengguang Yu**, Branford, CT (US)

(73) Assignee: **Centrix, Inc.**, Shelton, CT (US)

(\*\*) Term: **15 Years**

(21) Appl. No.: **29/533,970**

(22) Filed: **Jul. 23, 2015**

(51) **LOC (10) Cl.** ..... **09-05**

(52) **U.S. Cl.**  
USPC ..... **D9/707**

(58) **Field of Classification Search**

USPC ..... D9/702-714, 432-434, 435, 444;  
D3/299, 230, 273, 303, 203.1, 203.2,  
D3/226, 215, 228; 493/189; D24/118, 121;  
206/260, 45.21, 45.29, 264, 273-274,  
206/811, 45.23, 466, 309-313,  
206/308.1-308.3; 222/215, 92, 107;  
604/408, 403; 383/84-85, 86,  
383/122-124, 901, 108, 119, 35, 95;  
428/35.2; 426/106; 229/117.27, 935,  
229/933, 87.05, 105-106; 53/473-474  
CPC ..... B65D 69/00; B65D 5/00; B65D 5/0015;  
B65D 5/008; B65D 5/0085; B65D 75/00;  
B65D 75/008; B65D 75/28; B65D 33/00;  
B65D 33/14; B65D 33/16  
See application file for complete search history.

(56) **References Cited**

**U.S. PATENT DOCUMENTS**

D470,405 S \* 2/2003 Knoerzer ..... D9/707  
D495,254 S \* 8/2004 Carlos ..... D9/433  
D529,718 S \* 10/2006 Rasmussen ..... D3/299  
D635,014 S \* 3/2011 McAleese ..... D9/414  
8,061,563 B1 \* 11/2011 Rosen ..... B65D 75/5805  
206/484

D675,913 S \* 2/2013 Hunter ..... D9/420  
D685,261 S \* 7/2013 Hunter ..... D9/420  
D708,054 S \* 7/2014 Raegan ..... D9/416  
D721,888 S \* 2/2015 Nabet, Jr. .... D3/226  
2006/0088231 A1 \* 4/2006 Figlietti ..... B65D 29/00  
383/22  
2010/0243489 A1 \* 9/2010 Sabry ..... B65D 85/546  
206/308.1

\* cited by examiner

*Primary Examiner* — Abraham Bahta

(74) *Attorney, Agent, or Firm* — Fattibene and Fattibene  
LLC; Paul A. Fattibene

(57) **CLAIM**

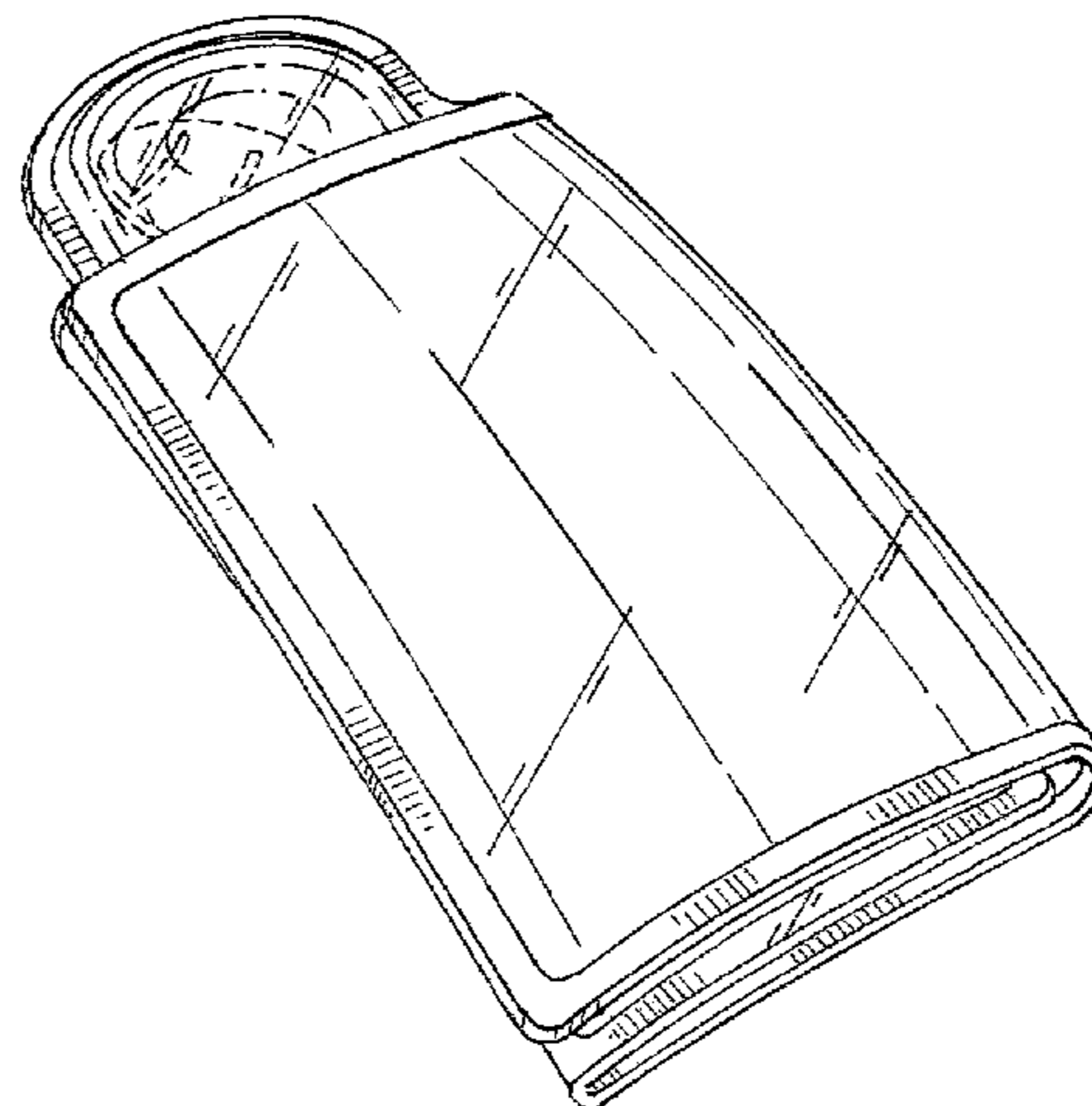
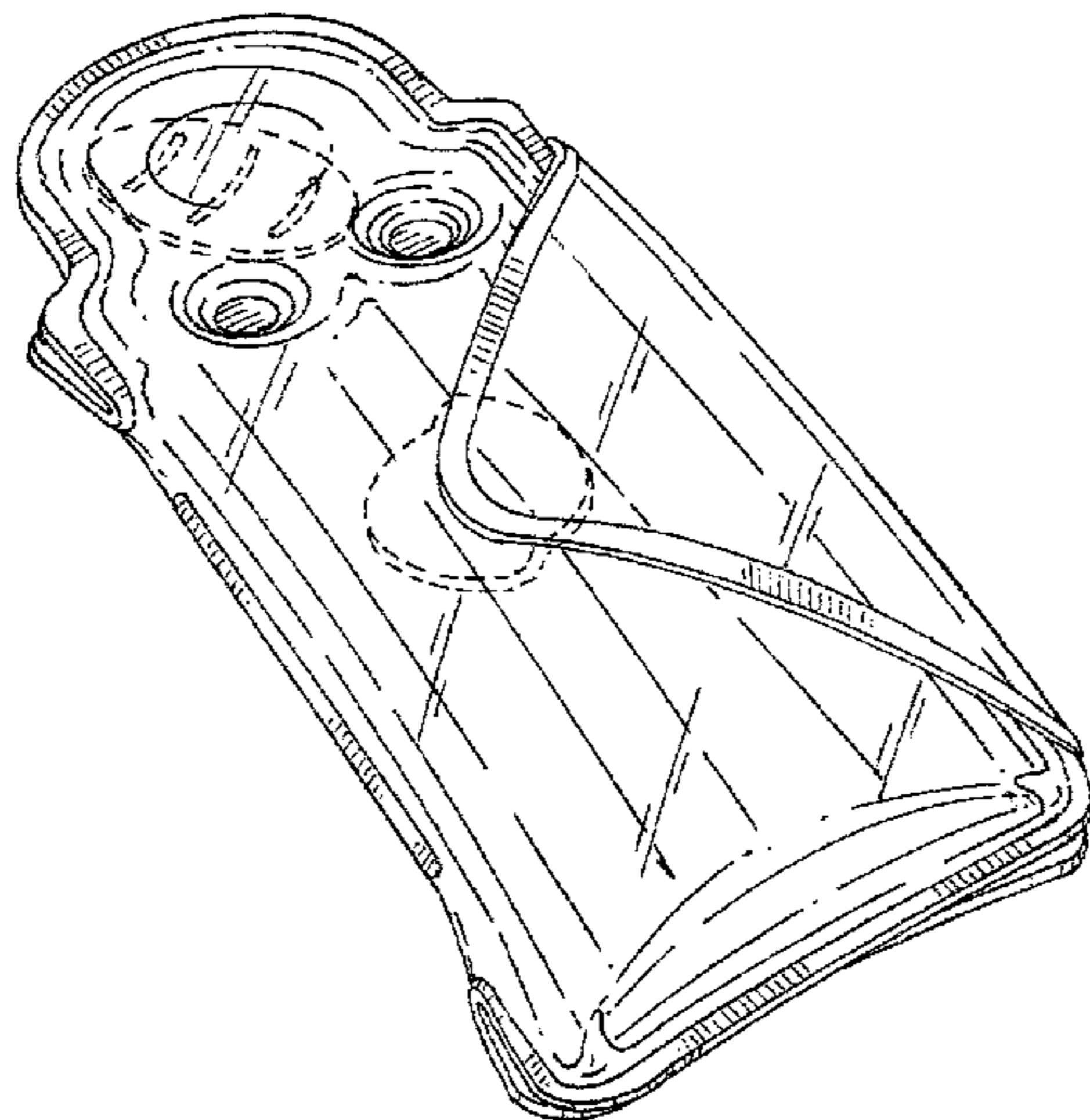
The ornamental design for a pouch, as shown and described.

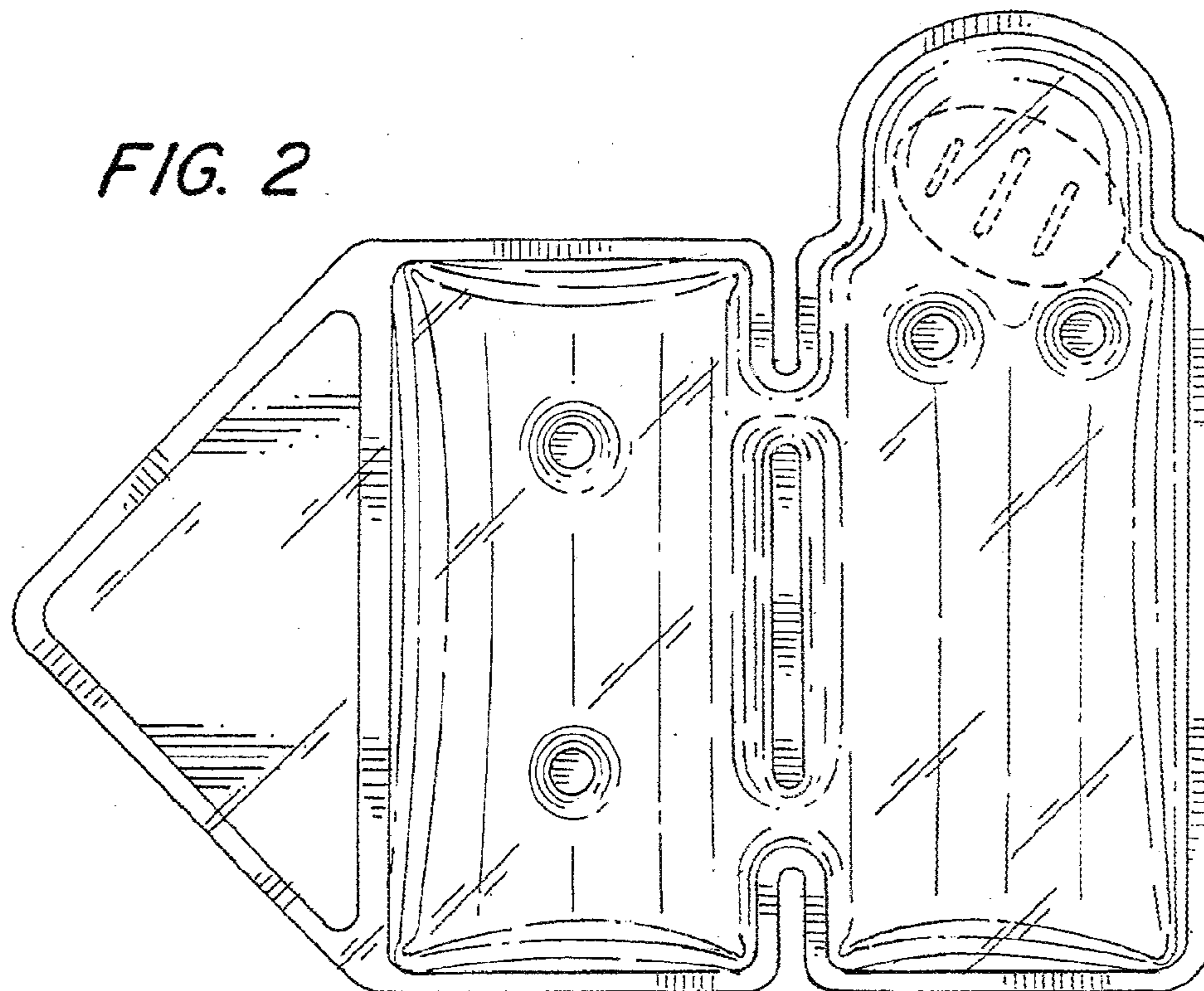
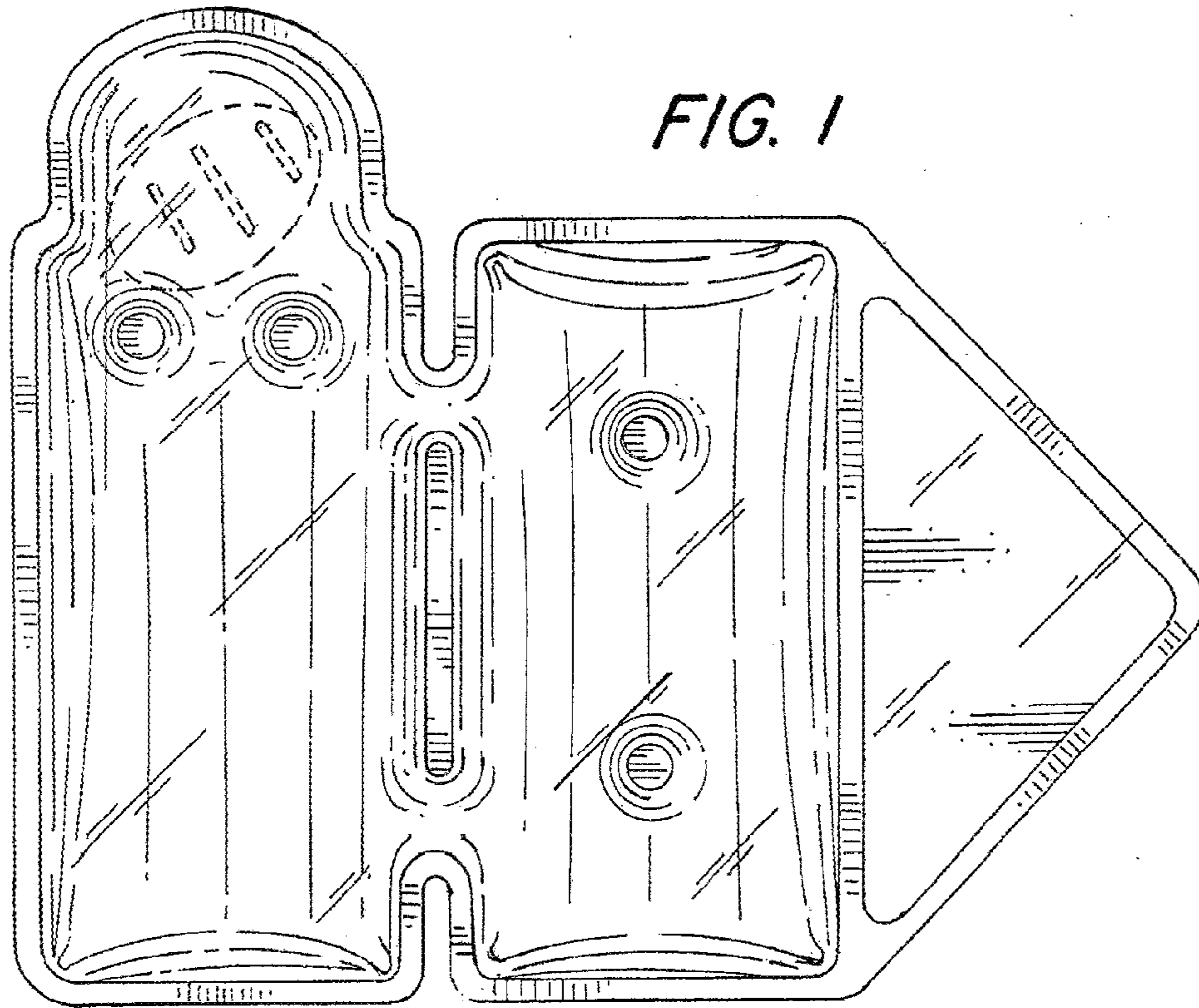
**DESCRIPTION**

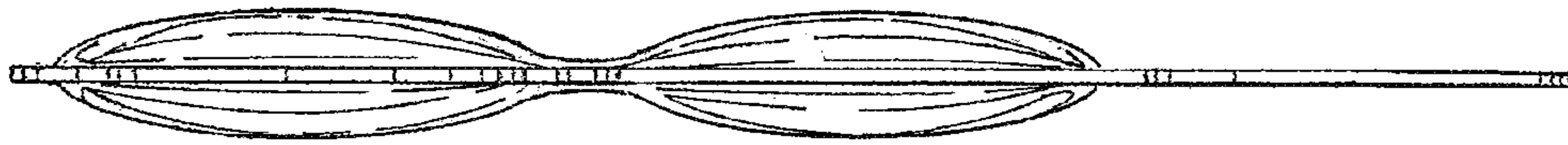
FIG. 1 is a front elevation view of a first embodiment of a pouch showing our new design;  
FIG. 2 is a rear elevation view thereof;  
FIG. 3 is a top plan view thereof;  
FIG. 4 is a bottom plan view thereof;  
FIG. 5 is a left side elevational view thereof;  
FIG. 6 is a right side elevational view thereof;  
FIG. 7 is a perspective view thereof;  
FIG. 8 is a perspective view thereof; the pouch being in a folded condition;  
FIG. 9 is a front elevation view of a second embodiment of the pouch;  
FIG. 10 is a rear elevation view thereof;  
FIG. 11 is a top plan view thereof;  
FIG. 12 is a bottom plan view thereof;  
FIG. 13 is a left side elevational view thereof;  
FIG. 14 is a right side elevational view thereof;  
FIG. 15 is a perspective view thereof; and,  
FIG. 16 is a perspective view thereof; the pouch being in a folded condition.

The broken lines shown are for illustrative purposes only and from no part of the claimed design.

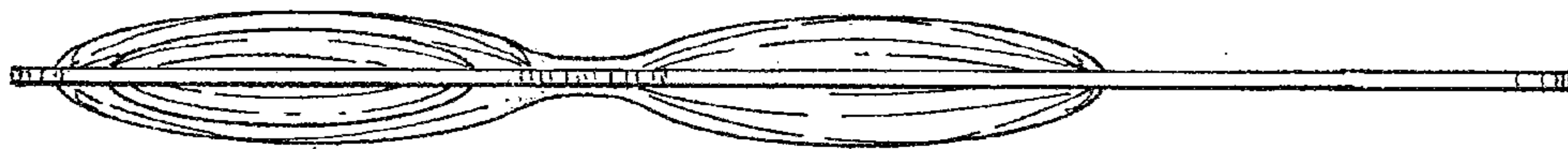
**1 Claim, 8 Drawing Sheets**







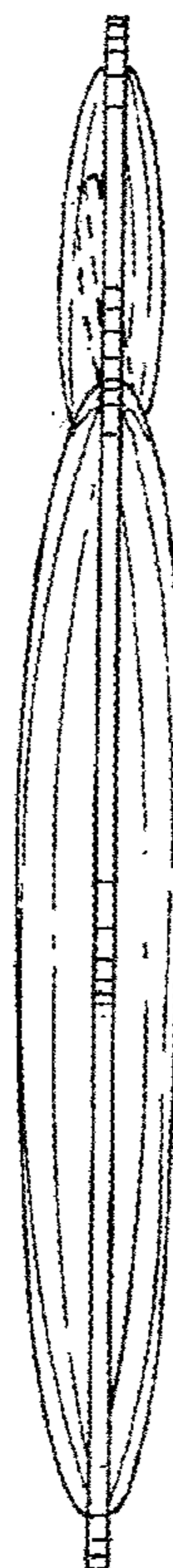
*FIG. 3*



*FIG. 4*



*FIG. 5*



*FIG. 6*

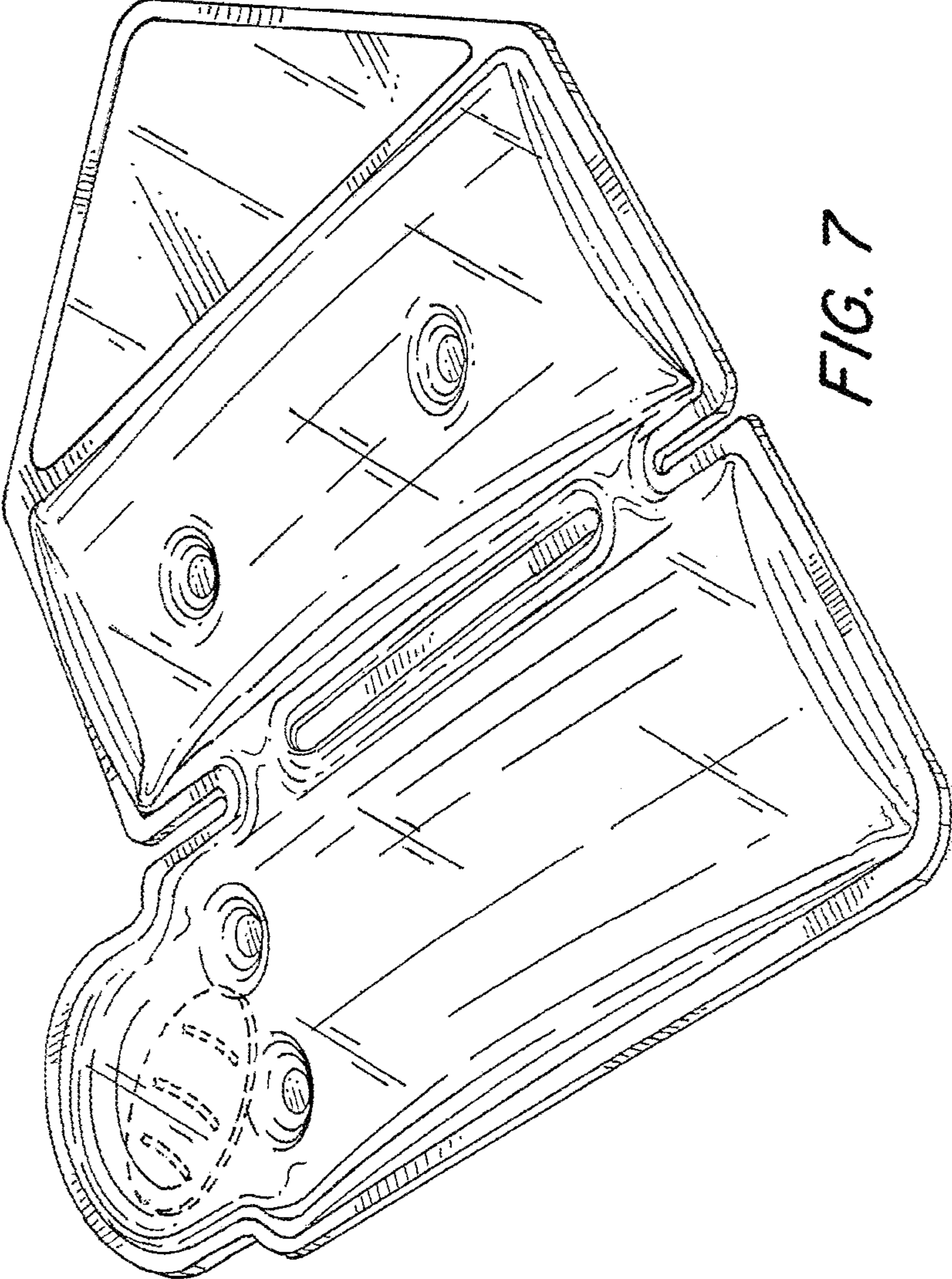
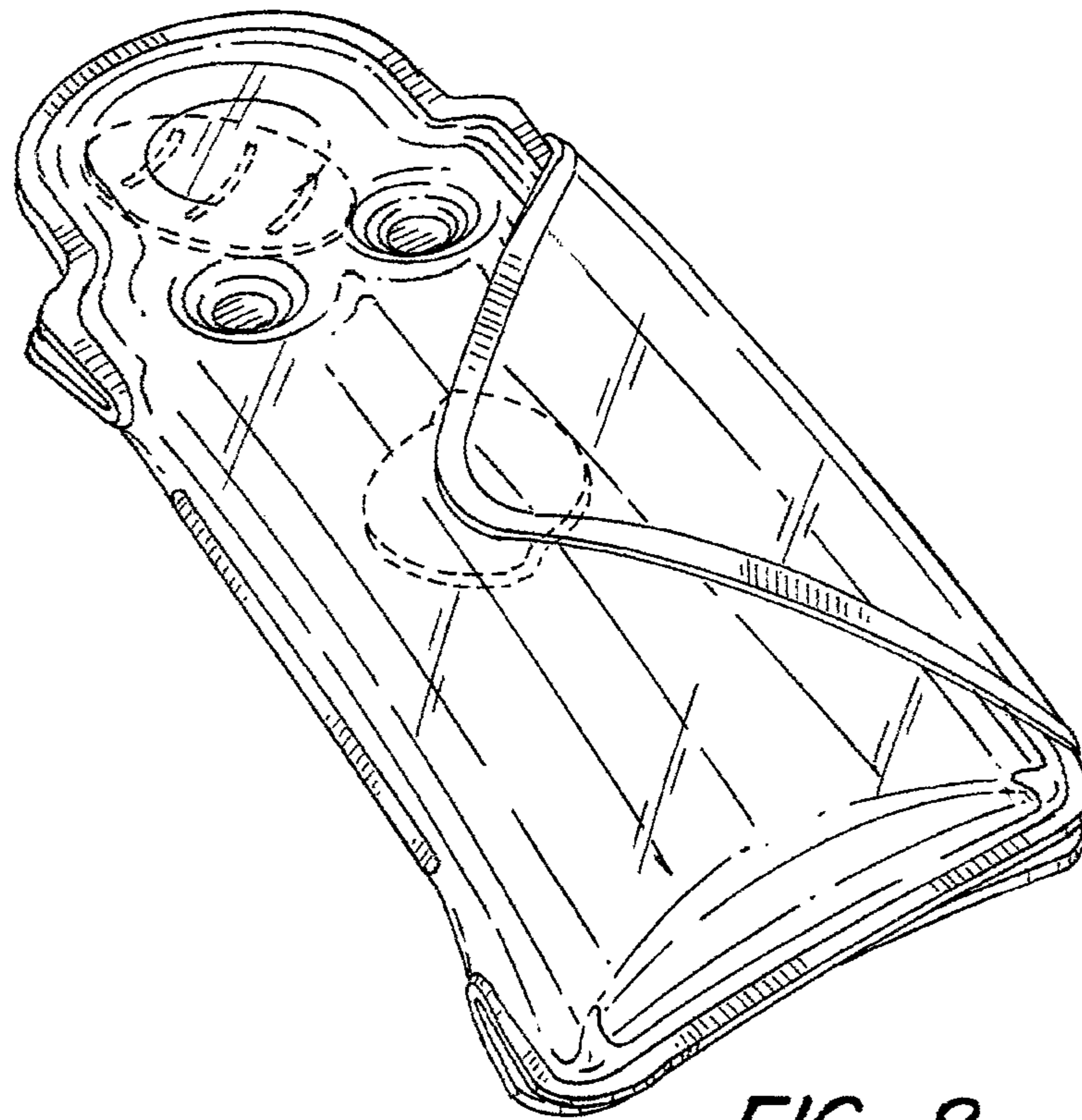
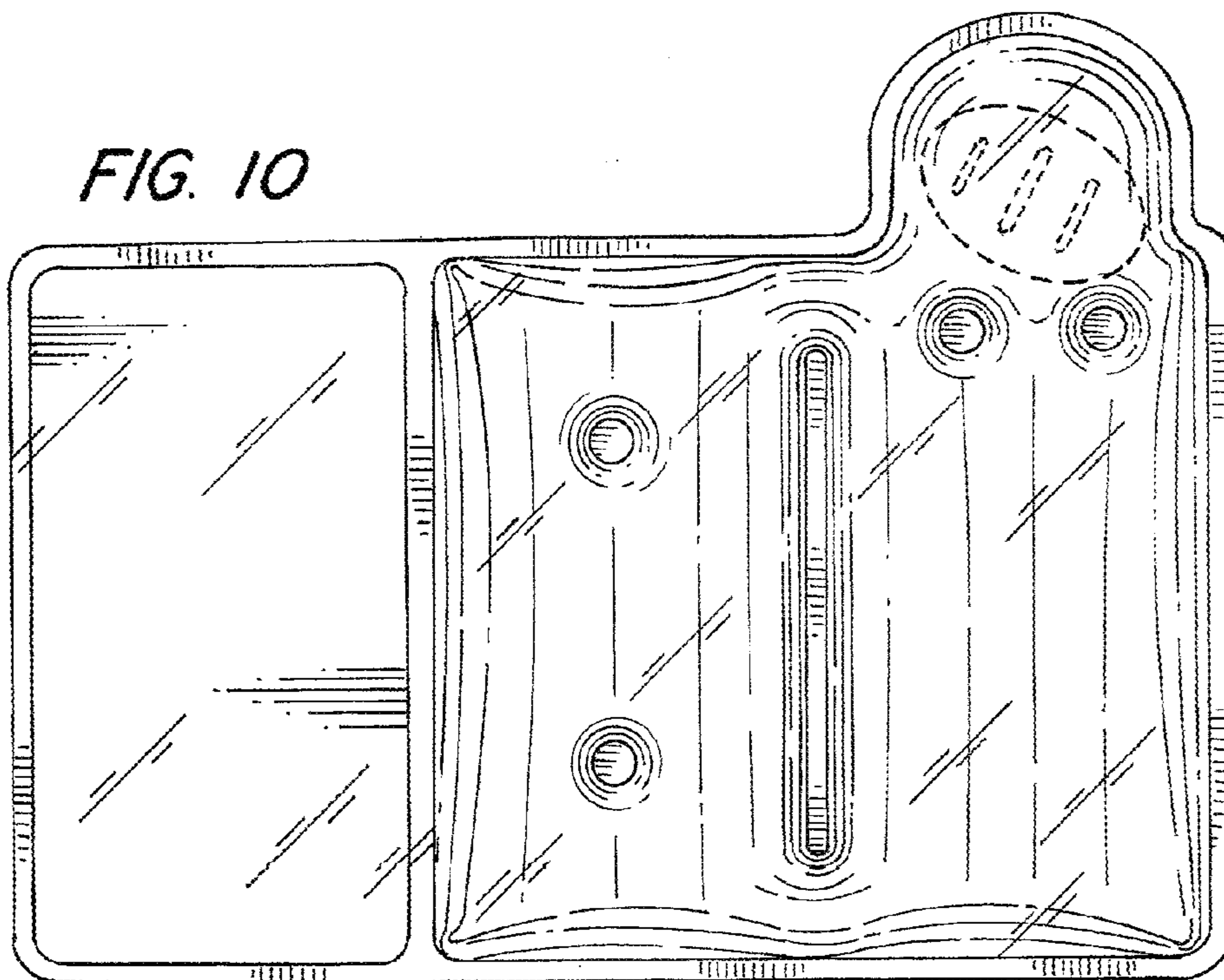
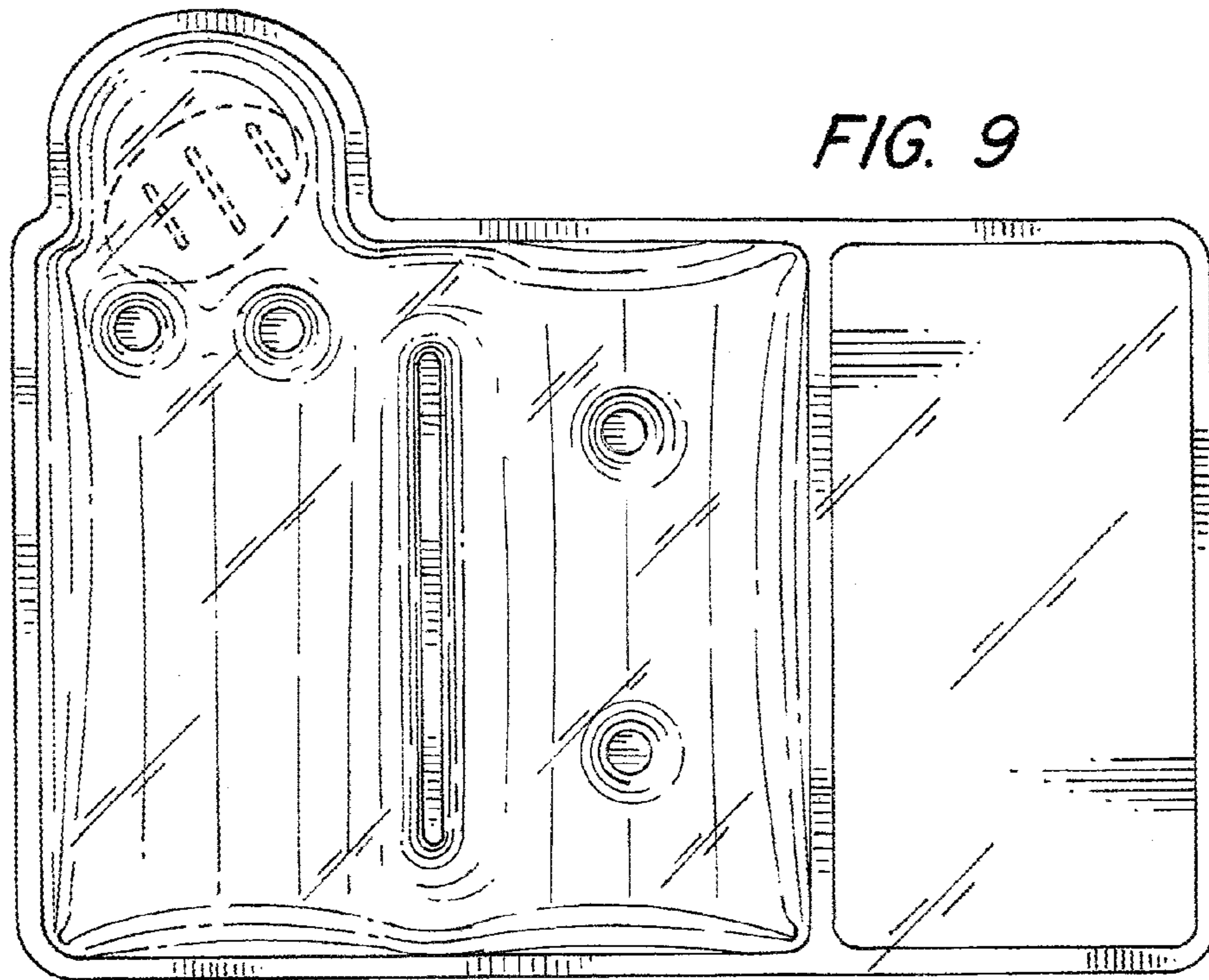
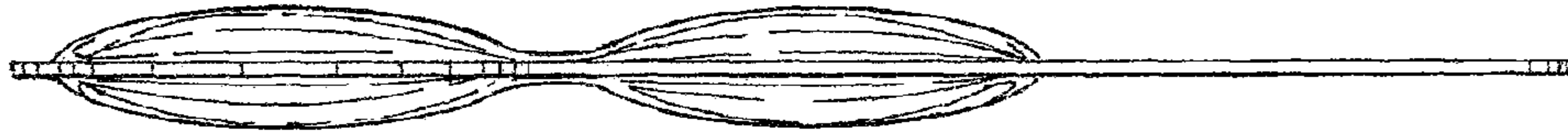


FIG. 7

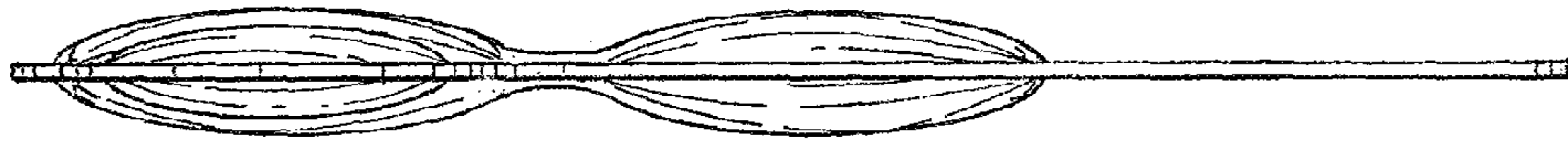


*FIG. 8*





*FIG. 11*



*FIG. 12*



*FIG. 13*



*FIG. 14*

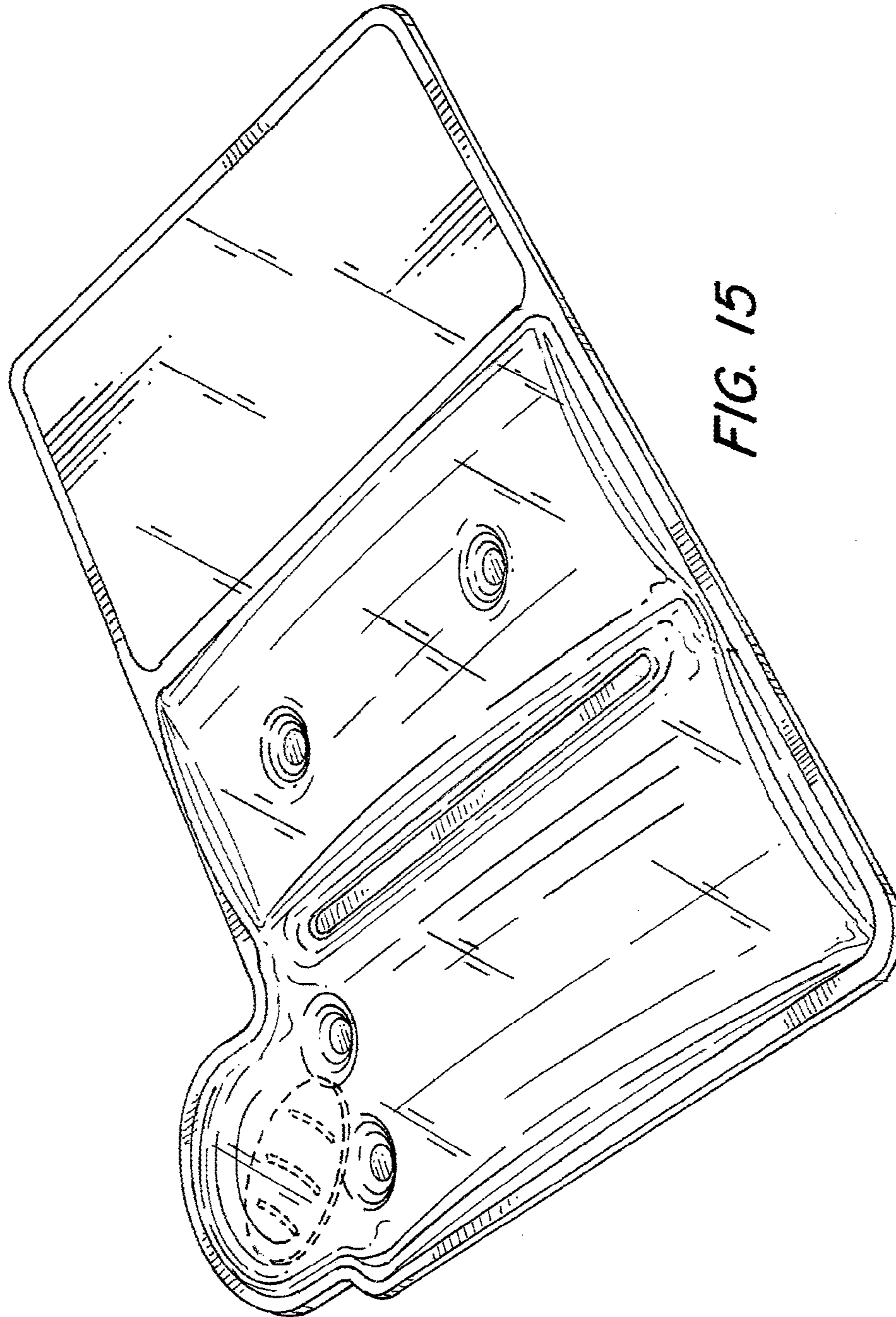
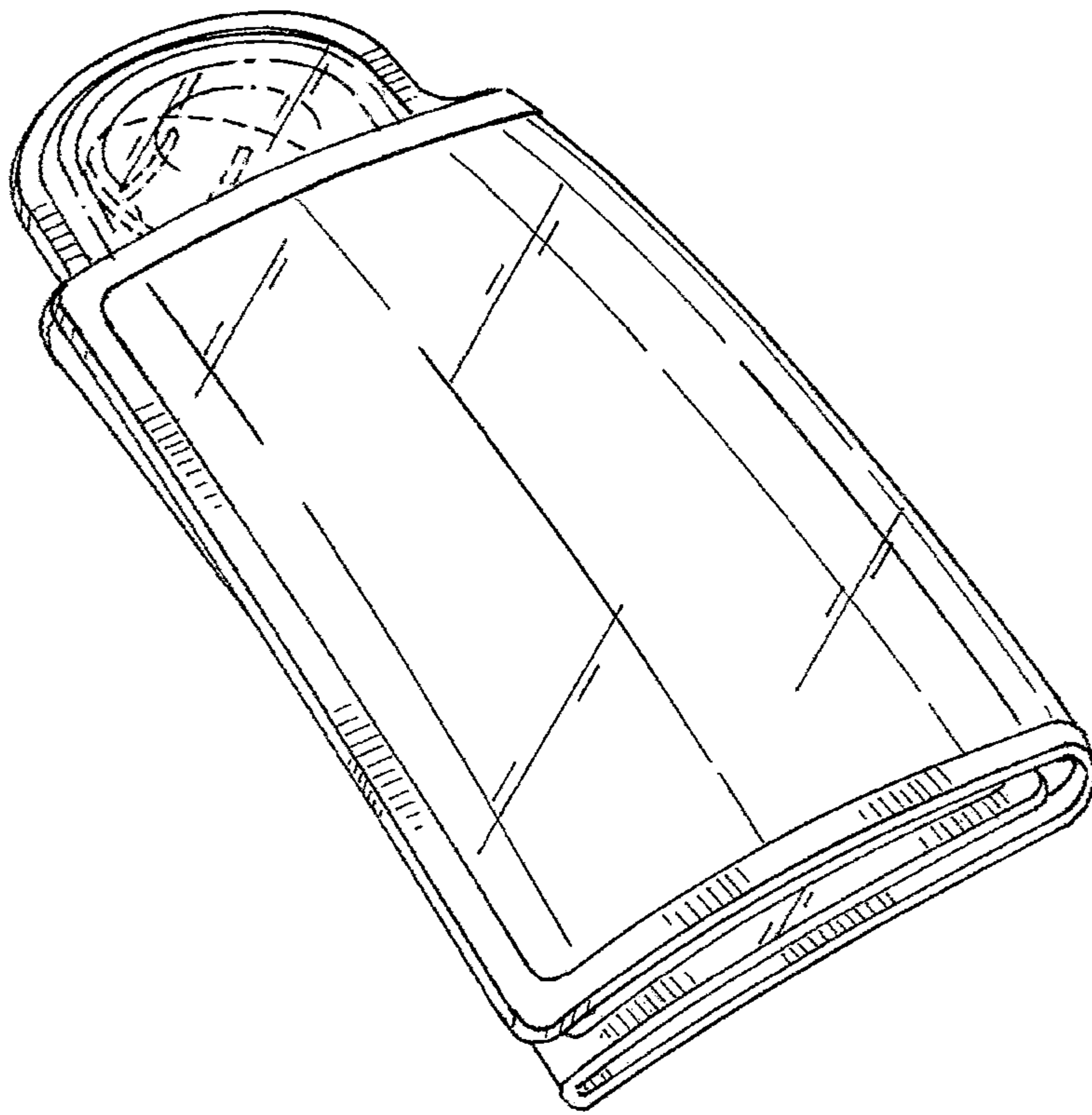


FIG. 15





*FIG. 16*