



US00D765516S

(12) **United States Design Patent** (10) **Patent No.:** **US D765,516 S**
Rasgon (45) **Date of Patent:** **** Sep. 6, 2016**

- (54) **PUMPKIN-SHAPED BOTTLE**
- (71) Applicant: **Maurice Rasgon**, Santa Monica, CA (US)
- (72) Inventor: **Maurice Rasgon**, Santa Monica, CA (US)
- (73) Assignee: **Cosmetic Design Group, LLC**, Culver City, CA (US)
- (**) Term: **15 Years**
- (21) Appl. No.: **29/527,315**
- (22) Filed: **May 18, 2015**
- (51) **LOC (10) Cl.** **09-01**
- (52) **U.S. Cl.**
USPC **D9/645**; D9/519; D9/556; D9/558
- (58) **Field of Classification Search**
USPC D9/600, 643-647, 500-505, 516, 519, D9/537-545, 548-558; 206/457, 494, 206/459.5, 527, 540; 229/116.1; 446/77; 215/381-384, 400; D7/514-516, 539, D7/544, 571, 579, 604, 613, 619.2, D7/628-630, 391-392.1; D3/270-271.3
CPC B65D 67/00; B65D 81/36; B65D 81/60; B65D 81/368; B65D 2203/00; B65D 2203/02; A63H 33/16
See application file for complete search history.

(56) **References Cited**

U.S. PATENT DOCUMENTS

- D42,287 S * 3/1912 Ingram D9/546
- D62,399 S * 5/1923 Javal D9/556

- D96,413 S * 7/1935 Stever D9/645
- D97,774 S * 12/1935 Lorenzen D9/644
- D187,244 S * 2/1960 Morris D9/556
- D187,960 S * 5/1960 Marina D9/546
- 3,663,259 A 5/1972 Barriere
- D310,023 S * 8/1990 Dembiczak D9/625
- D326,411 S * 5/1992 Wefler D9/556
- D431,977 S 10/2000 Borges
- D534,803 S * 1/2007 Tsai D9/519
- D565,413 S * 4/2008 Honkawa D9/519
- D596,489 S * 7/2009 Weiss D9/519
- D614,452 S * 4/2010 Ablo D9/644
- D626,421 S 11/2010 Szymula
- D702,558 S * 4/2014 Sanders D9/519
- 2005/0045513 A1 3/2005 Won et al.
- 2005/0126584 A1 6/2005 Hsu
- 2012/0325810 A1 12/2012 Yamamoto et al.

* cited by examiner

Primary Examiner — Sandra Morris

(74) *Attorney, Agent, or Firm* — Eric Karich; Karich & Associates

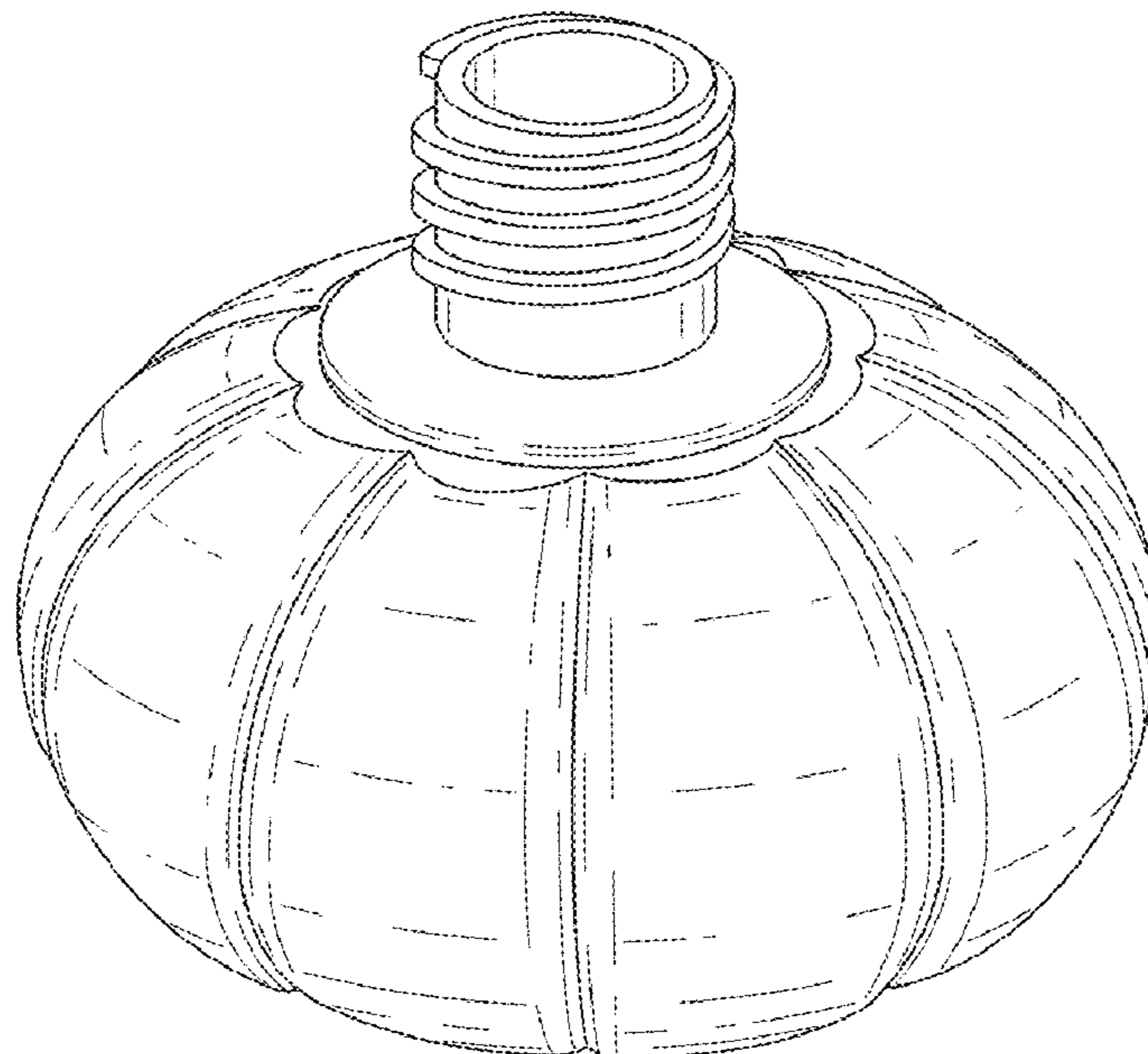
(57) **CLAIM**

The ornamental design for a “pumpkin-shaped bottle,” as shown and described.

DESCRIPTION

FIG. 1 is a perspective view of a pumpkin-shaped bottle, showing my new design;
FIG. 2 is a front elevational view thereof;
FIG. 3 is a rear elevational view thereof;
FIG. 4 is a left side elevational view thereof
FIG. 5 is a right side elevational view thereof;
FIG. 6 is a top plan view thereof; and,
FIG. 7 is a bottom plan view thereof.

1 Claim, 2 Drawing Sheets



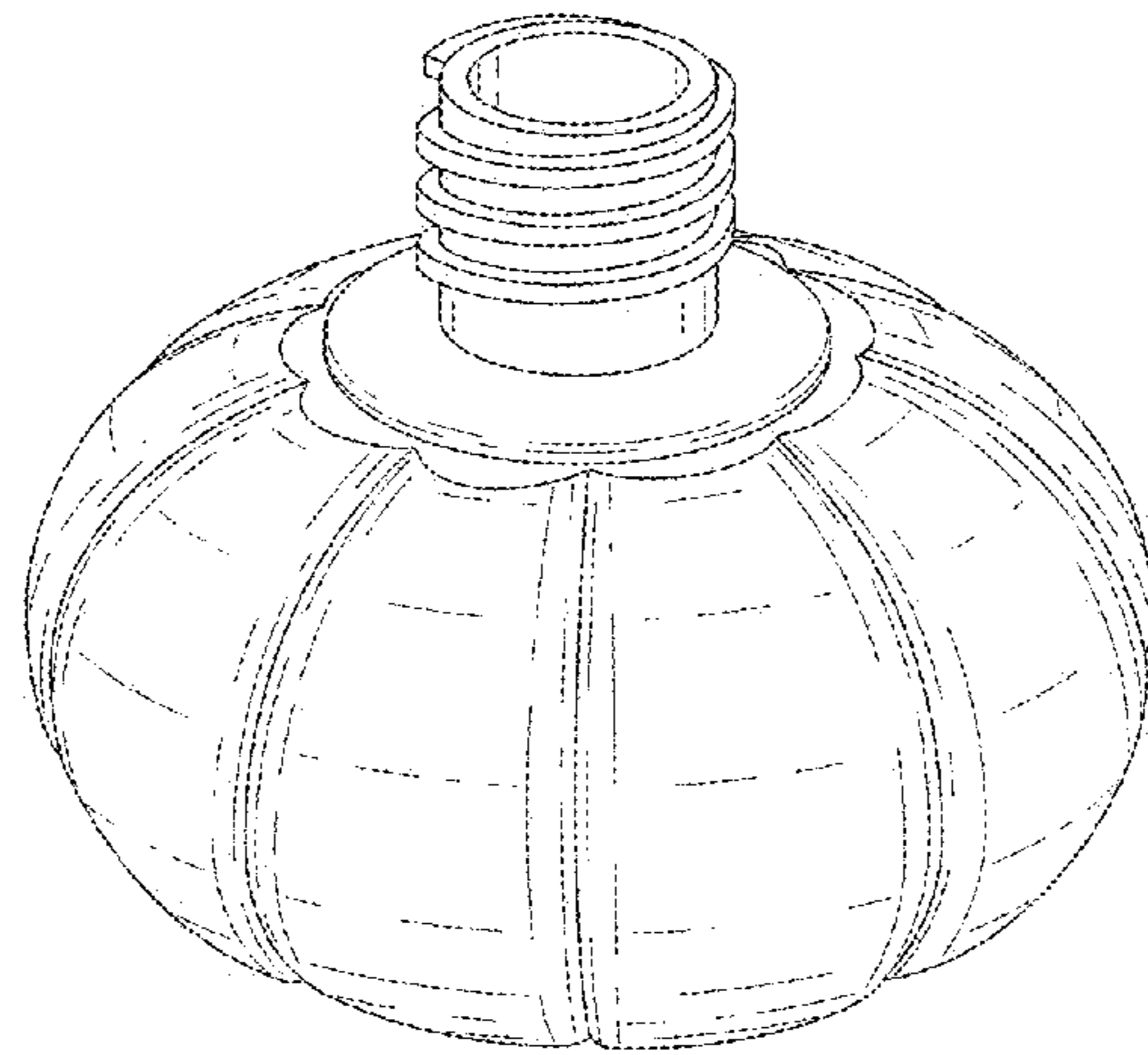


Fig. 1

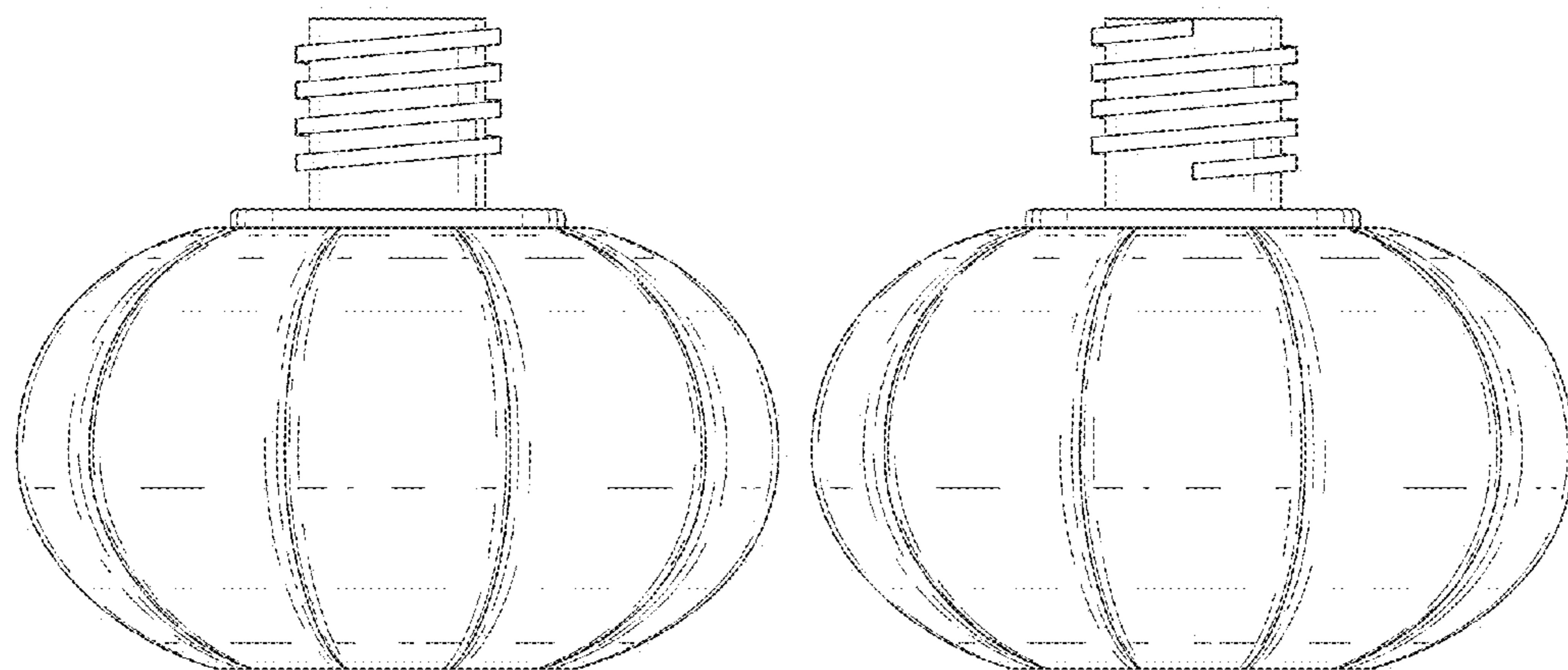


Fig. 2

Fig. 3

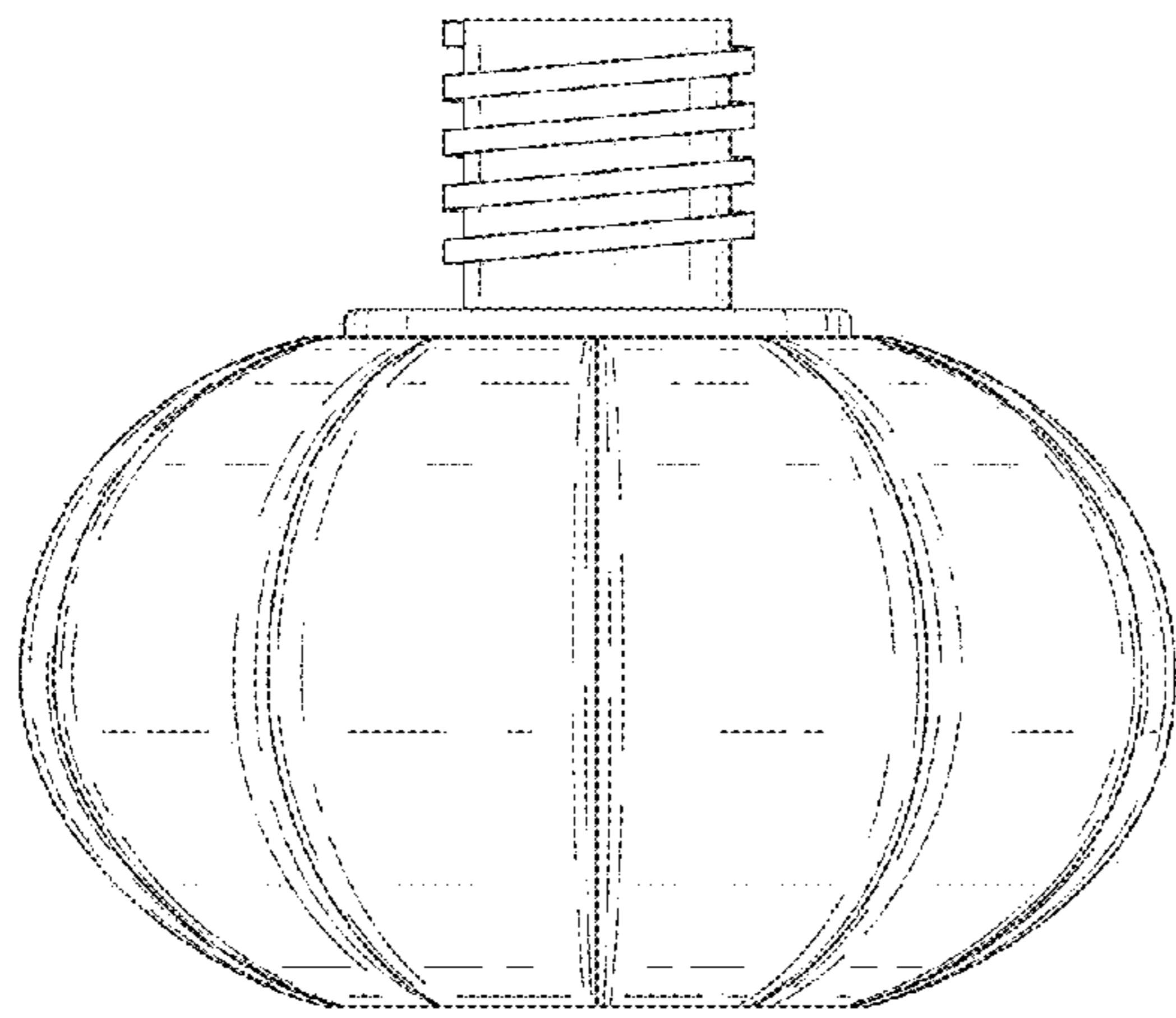


Fig. 4

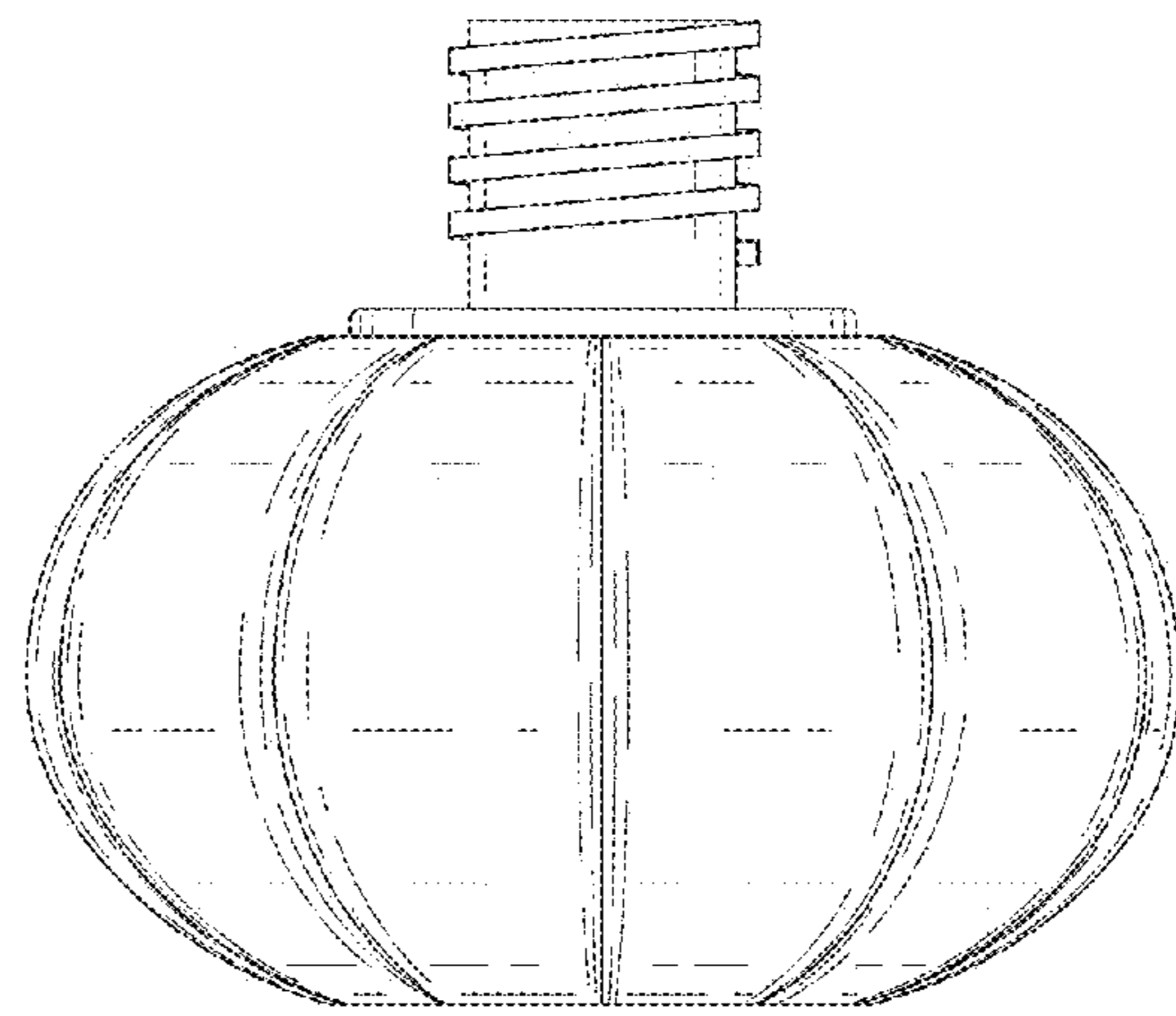


Fig. 5

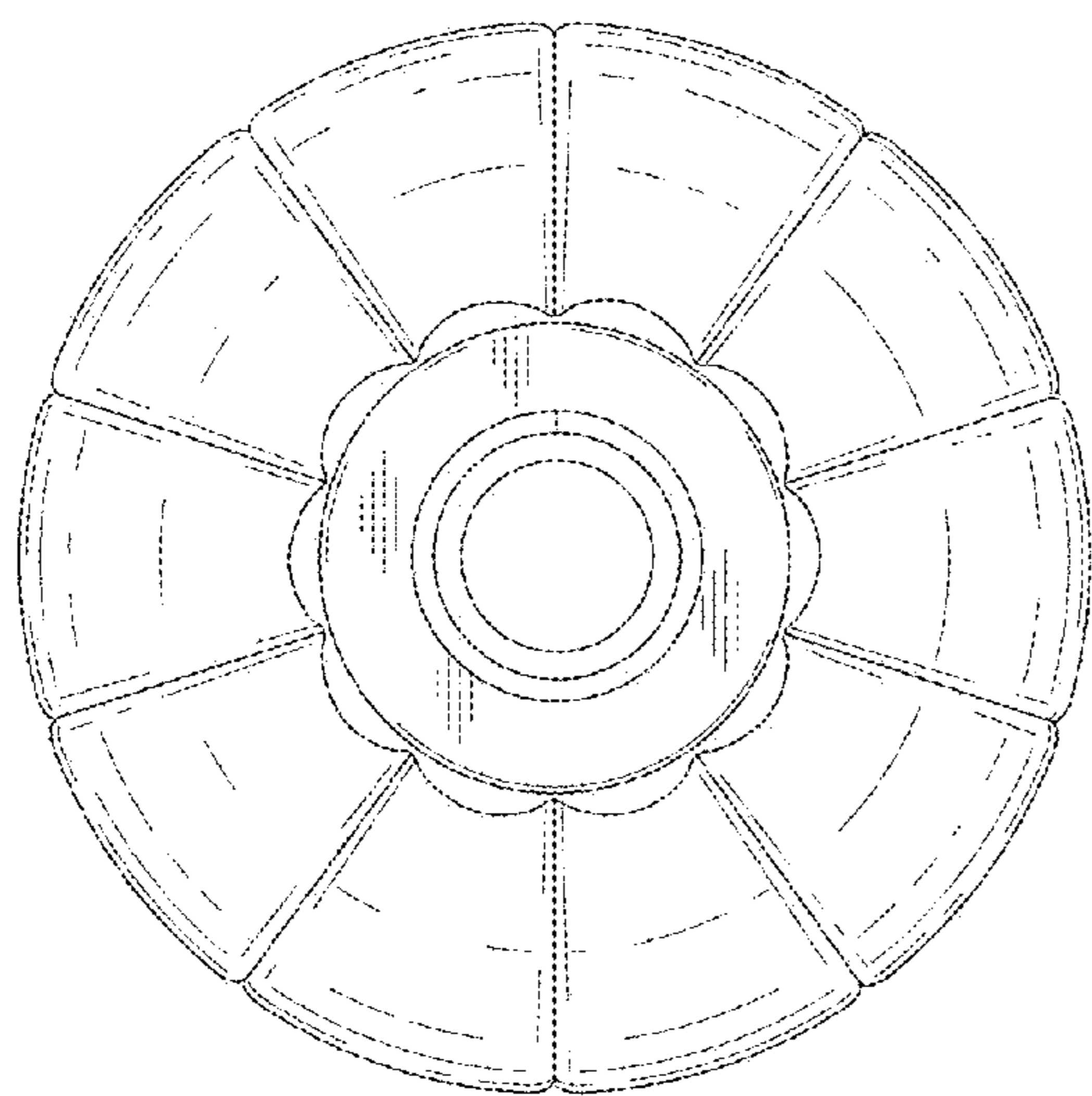


Fig. 6

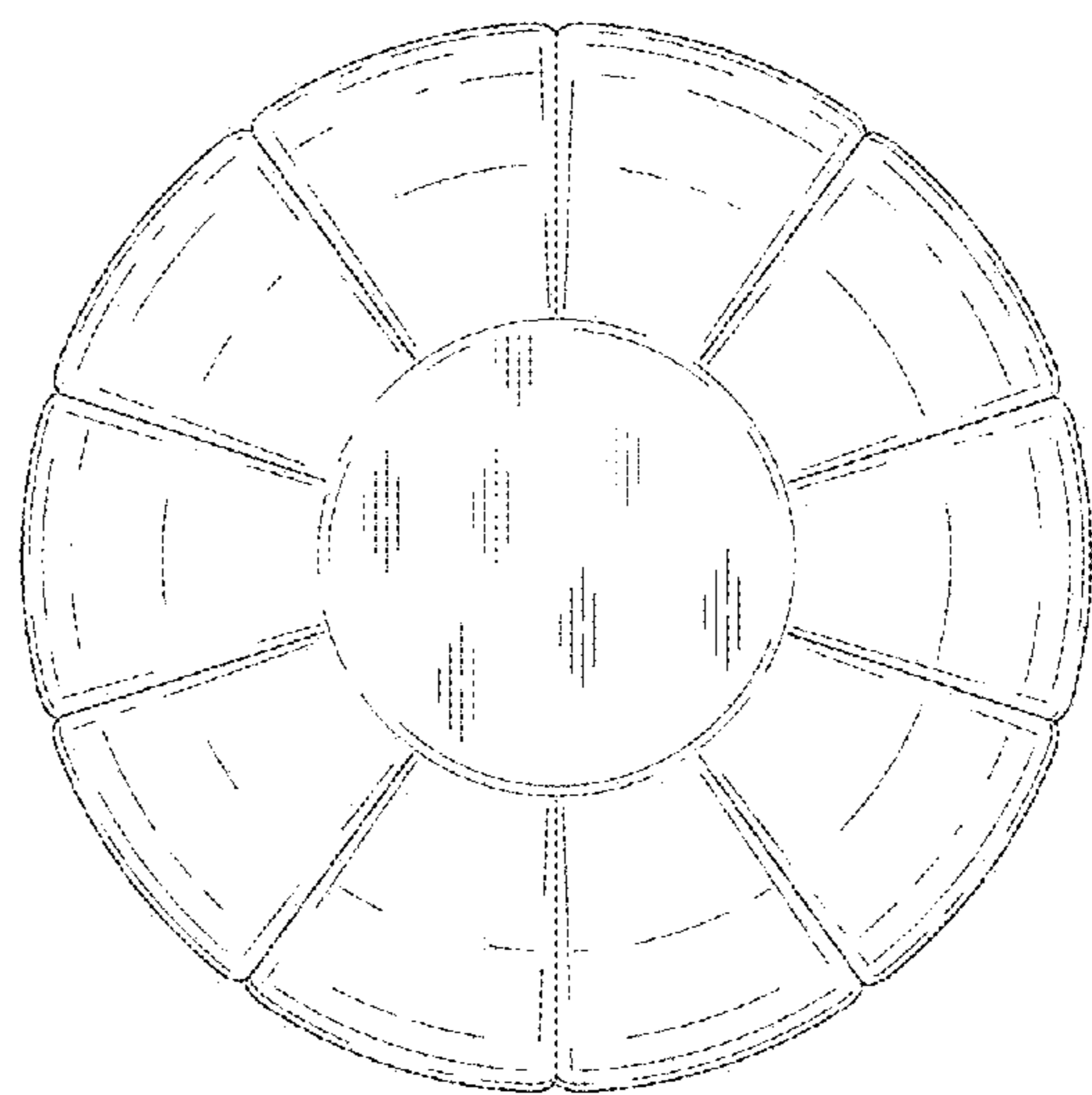


Fig. 7