

US00D765515S

(12) **United States Design Patent**
Kim et al.

(10) **Patent No.:** **US D765,515 S**

(45) **Date of Patent:** **** Sep. 6, 2016**

(54) **TOOTH-SHAPED BOTTLE**
(71) Applicant: **Apollonia Health Inc.**, Hamilton (CA)
(72) Inventors: **Joon Kim**, Hamilton (CA); **James Shen**, Hamilton (CA); **Bogdan Damjanovic**, Hamilton (CA); **Ronald G. Angellotti**, Toronto (CA)

(73) Assignee: **Apollonia Health Inc.**, Hamilton, Ontario (CA)

(**) Term: **15 Years**

(21) Appl. No.: **29/529,931**

(22) Filed: **Jun. 11, 2015**

(51) **LOC (10) Cl.** **09-01**

(52) **U.S. Cl.**
USPC **D9/624**

(58) **Field of Classification Search**
USPC D9/600-601, 614-629; 206/457, 494, 206/459.5, 527, 540; 229/116.1; 446/77; 215/381-384, 400; D7/514-516, 539, D7/544, 571, 579, 604, 613, 619.2, D7/628-630, 391-392.1; D3/270-271.3; D28/67
CPC B65D 67/00; B65D 81/36; B65D 81/60; B65D 81/368; B65D 2203/00; B65D 2203/02; A63H 33/16
See application file for complete search history.

(56) **References Cited**

U.S. PATENT DOCUMENTS

D296,419 S * 6/1988 Terrell D9/699
D305,613 S * 1/1990 Friedman D9/624

D323,264 S * 1/1992 DeVigili D9/624
D341,774 S * 11/1993 Felz D3/271.3
D346,550 S * 5/1994 Terrell D28/67
D346,551 S * 5/1994 Terrell D28/67
D380,376 S * 7/1997 Reinhardt D9/624
D459,985 S * 7/2002 Davis D9/624
D584,051 S * 1/2009 Patascher D3/271.1
D607,745 S * 1/2010 Kuzma D9/624

* cited by examiner

Primary Examiner — Sandra Morris

(74) *Attorney, Agent, or Firm* — Sand & Sebolt

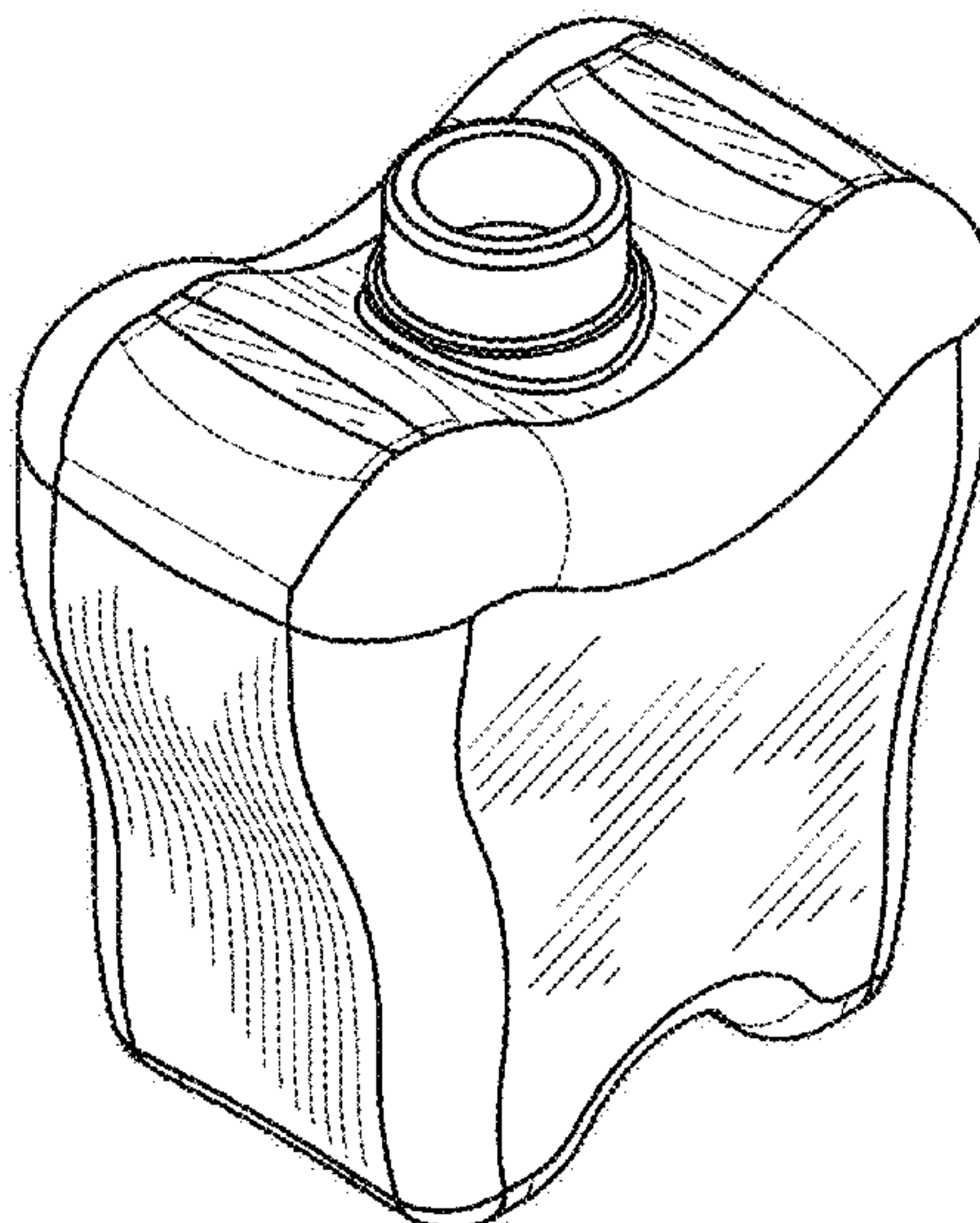
(57) **CLAIM**

The ornamental design for a tooth-shaped bottle, as shown and described.

DESCRIPTION

FIG. 1 is a left side top perspective view of the tooth-shaped bottle of the present invention;
FIG. 2 is a right side top perspective view of the tooth-shaped bottle of the present invention;
FIG. 3 is a left side bottom perspective view of the tooth-shaped bottle of the present invention;
FIG. 4 is a right side bottom perspective view of the tooth-shaped bottle of the present invention;
FIG. 5 is a front elevational view of the tooth-shaped bottle of the present invention;
FIG. 6 is a left side elevational view of the tooth-shaped bottle of the present invention;
FIG. 7 is a right side elevational view of the tooth-shaped bottle of the present invention;
FIG. 8 is a top plan view of the tooth-shaped bottle of the present invention; and,
FIG. 9 is a bottom plan view of the tooth-shaped bottle of the present invention.

1 Claim, 9 Drawing Sheets



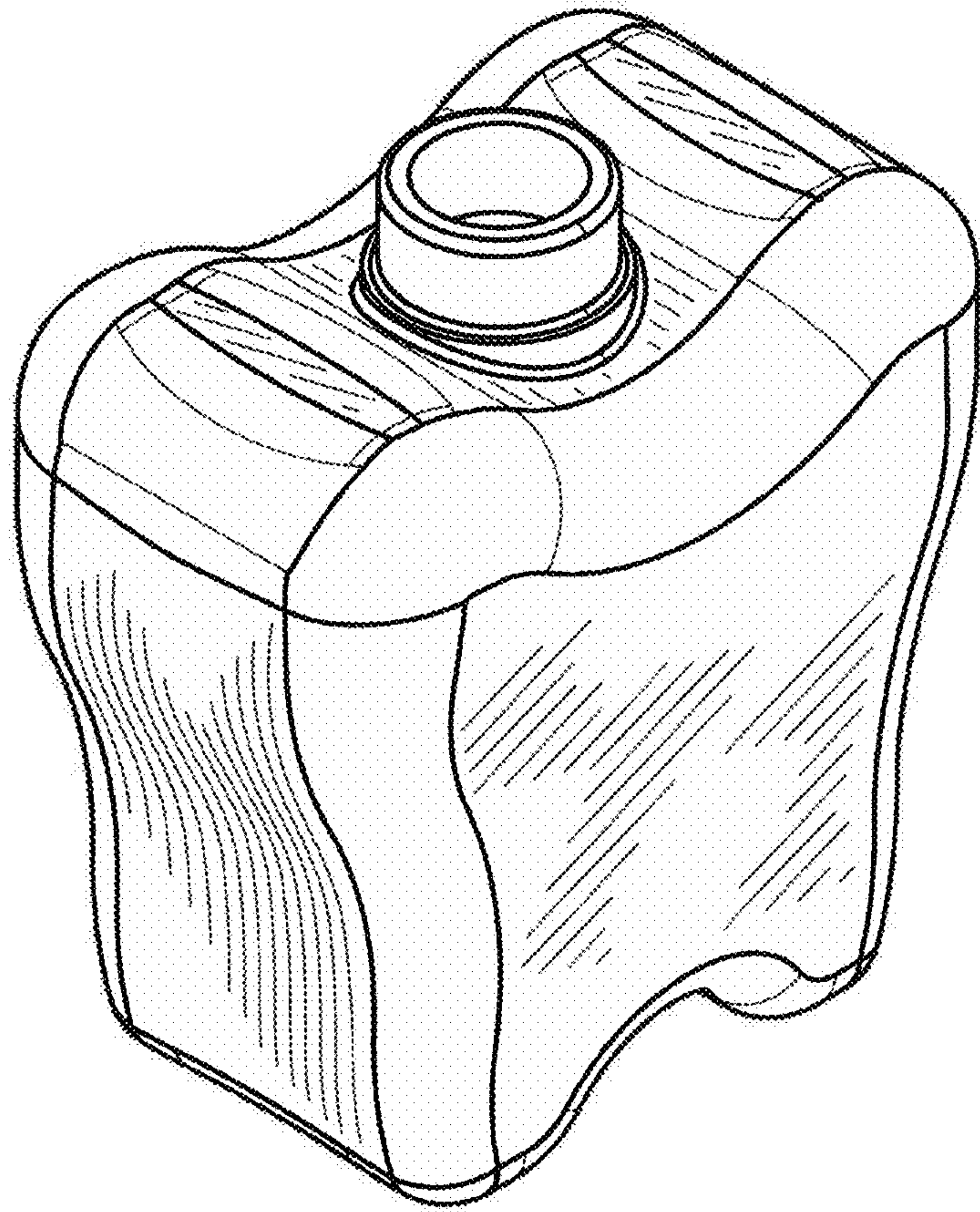


FIG. 1

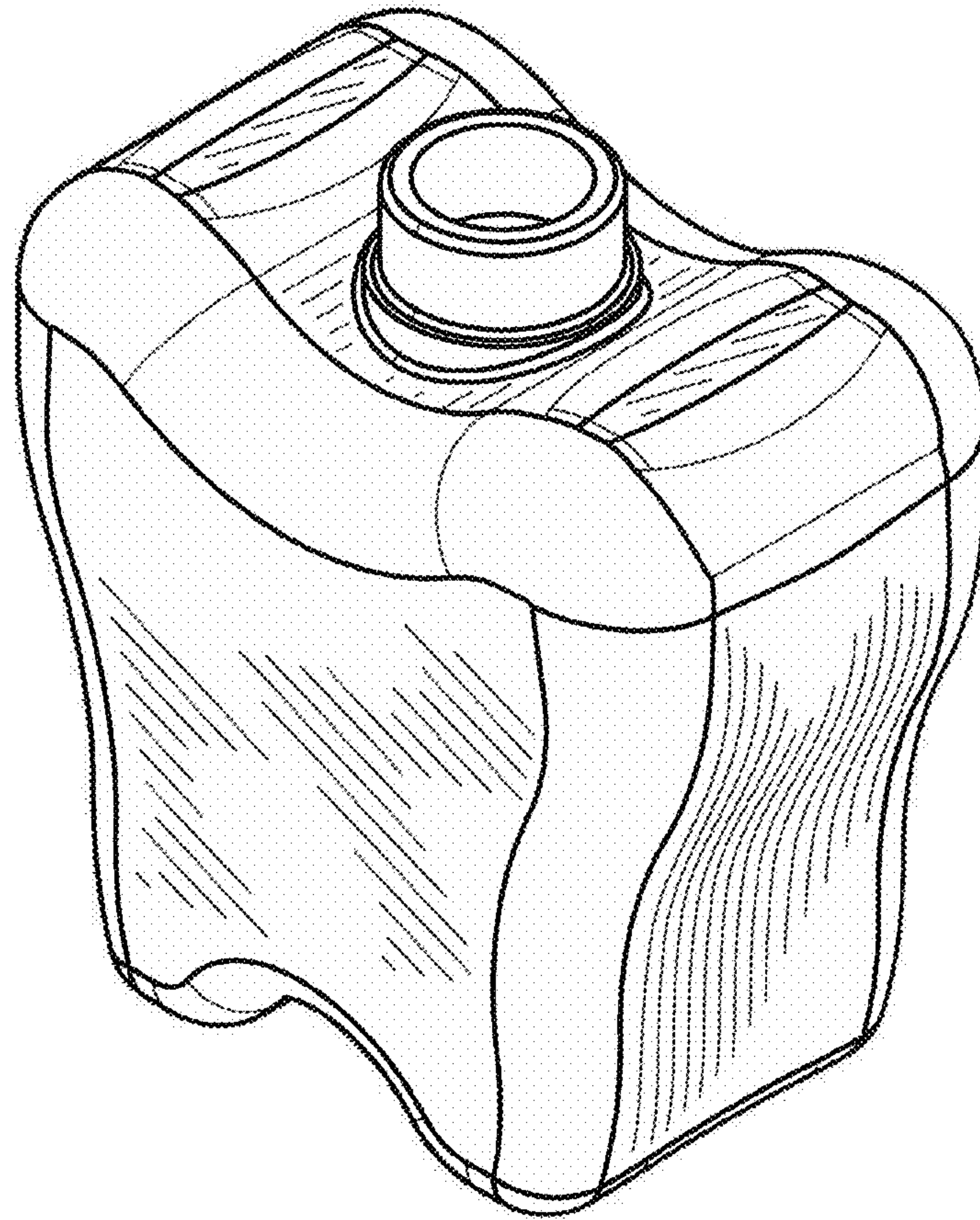


FIG. 2

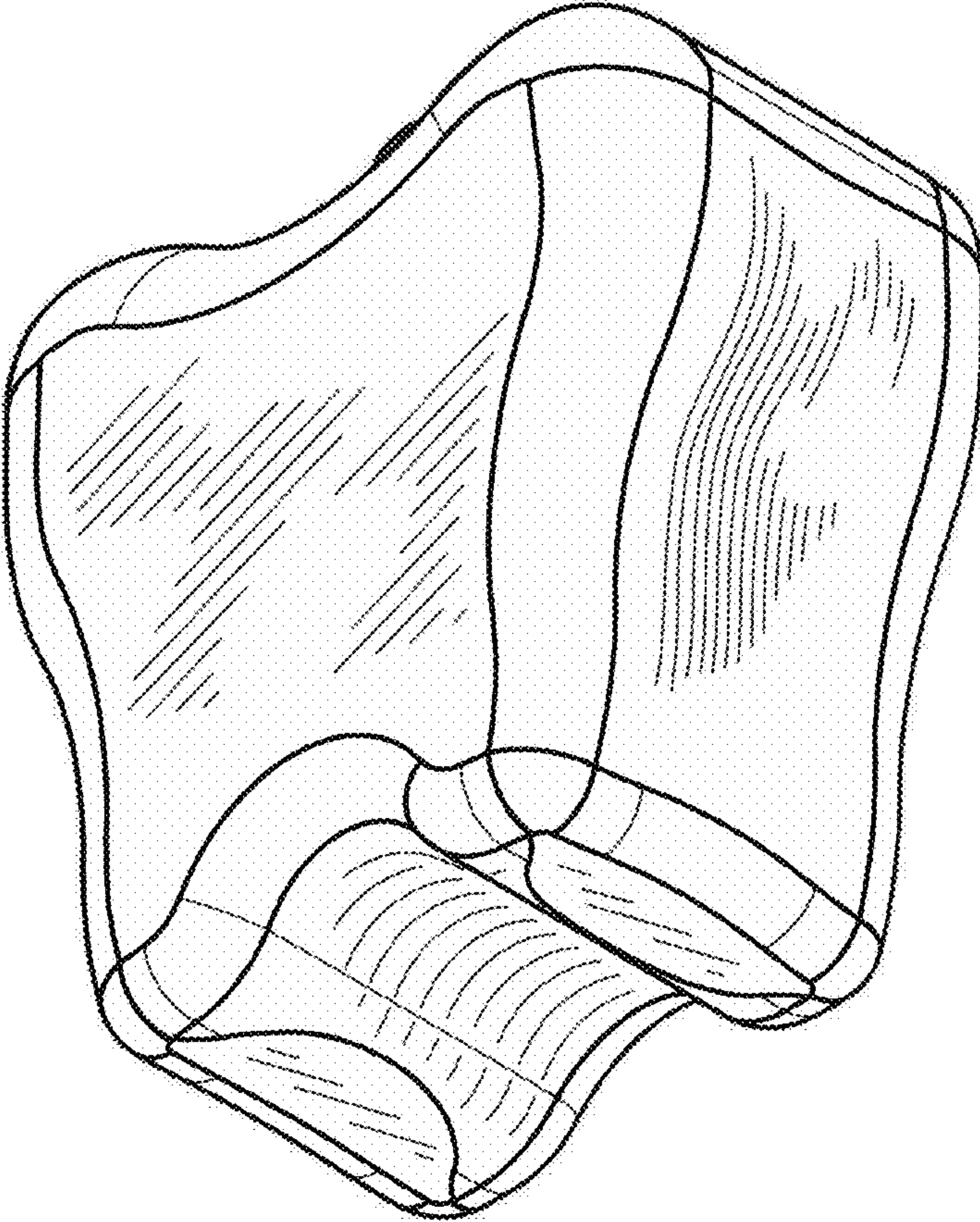


FIG. 3

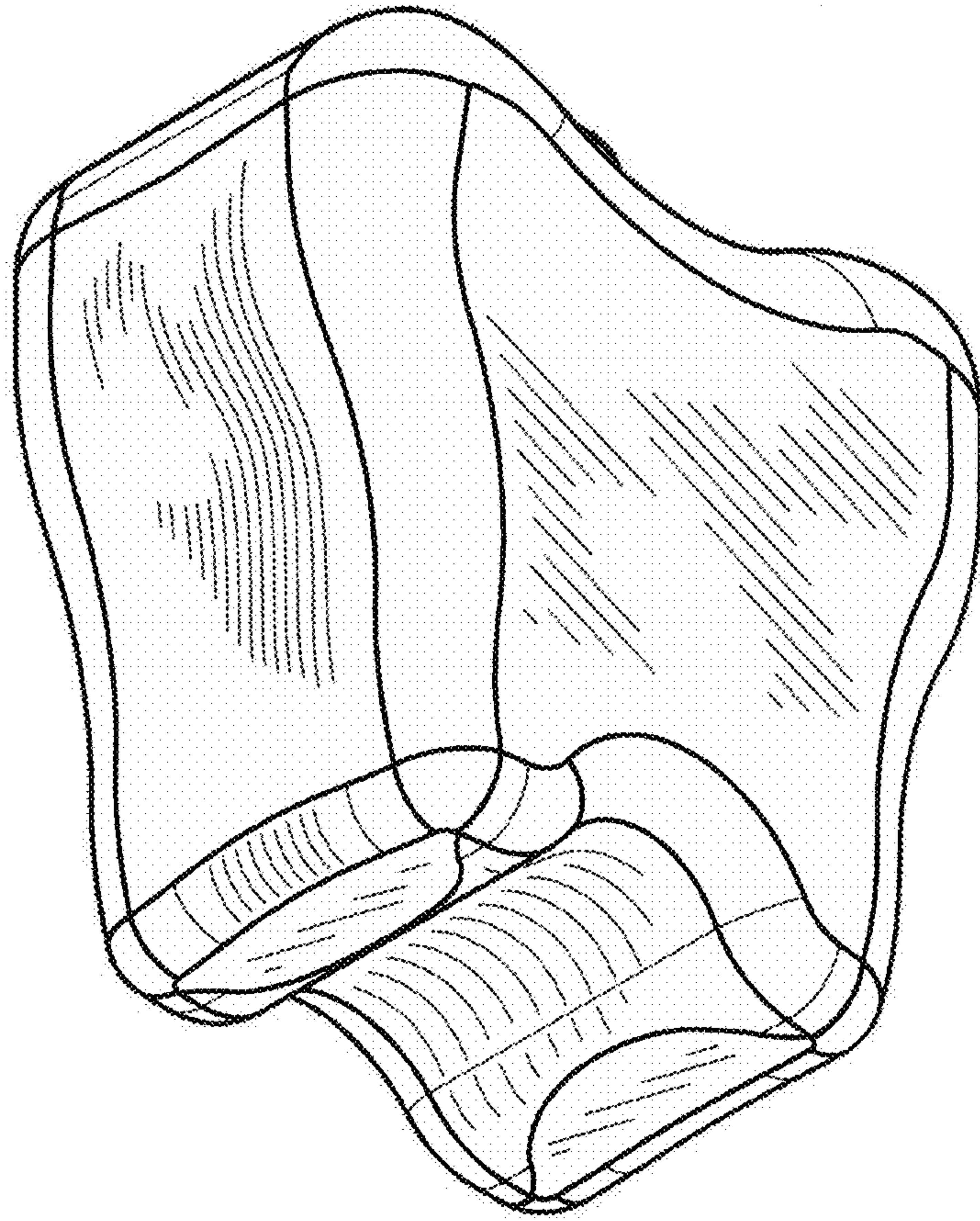


FIG. 4

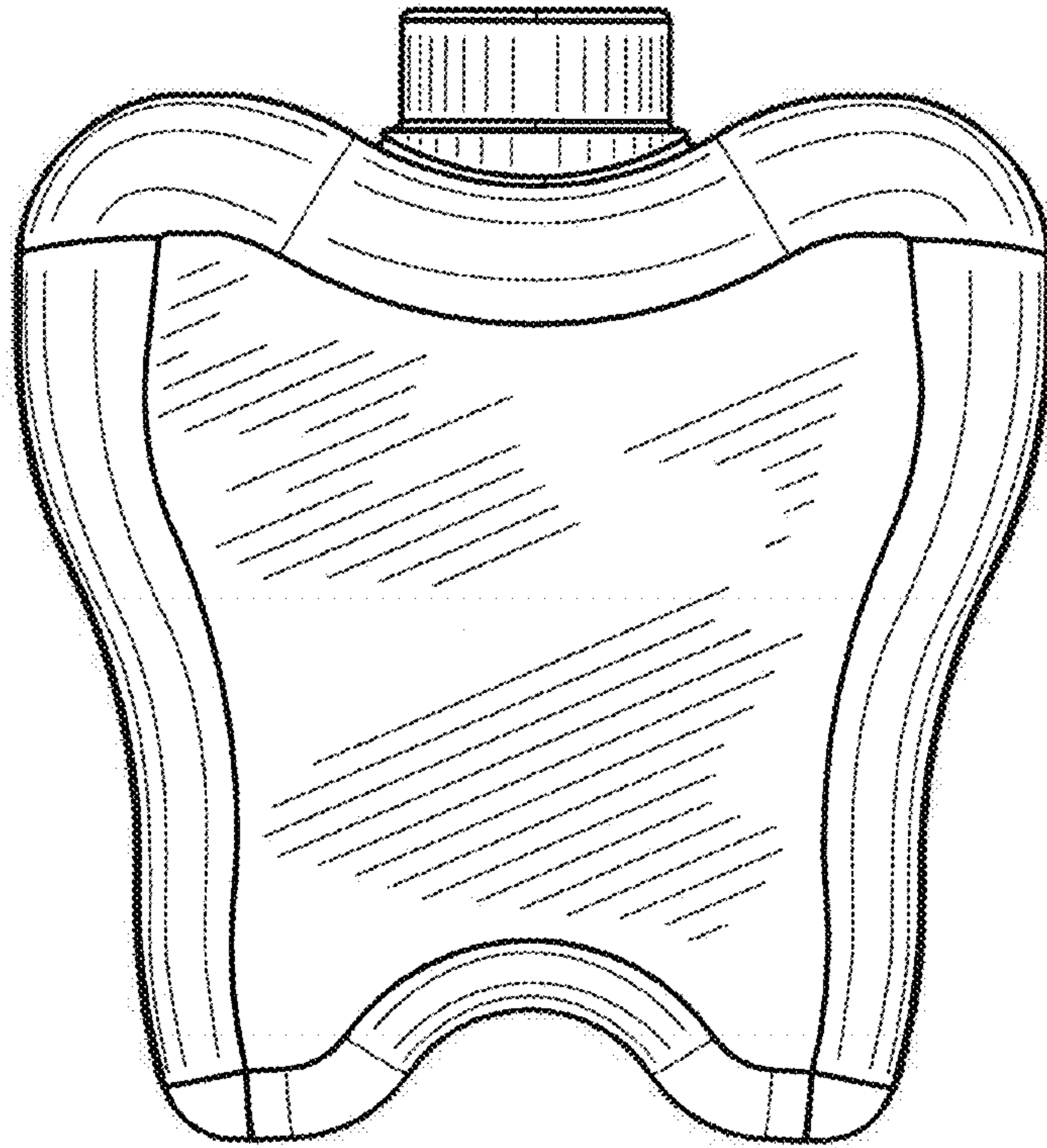


FIG. 5

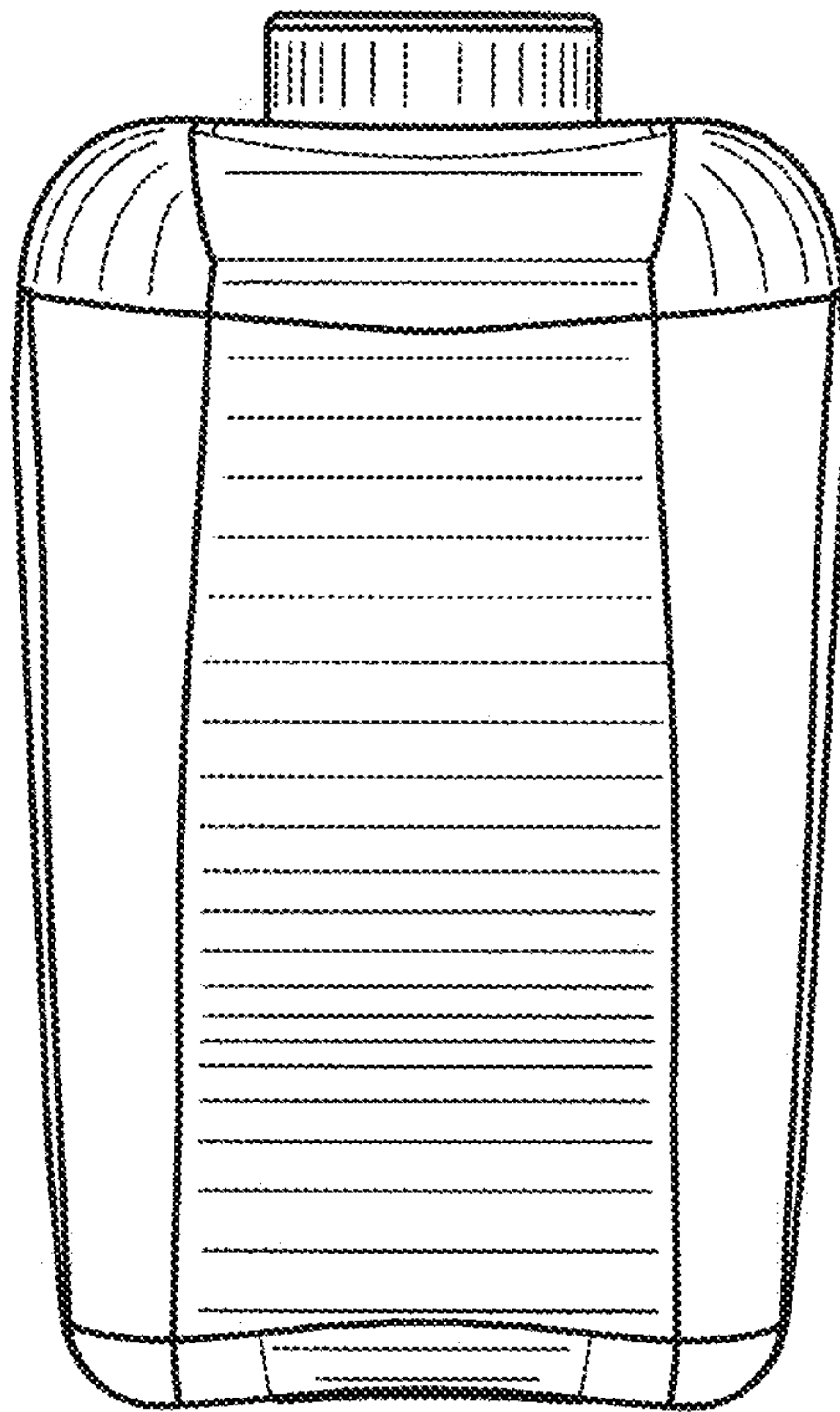


FIG. 6

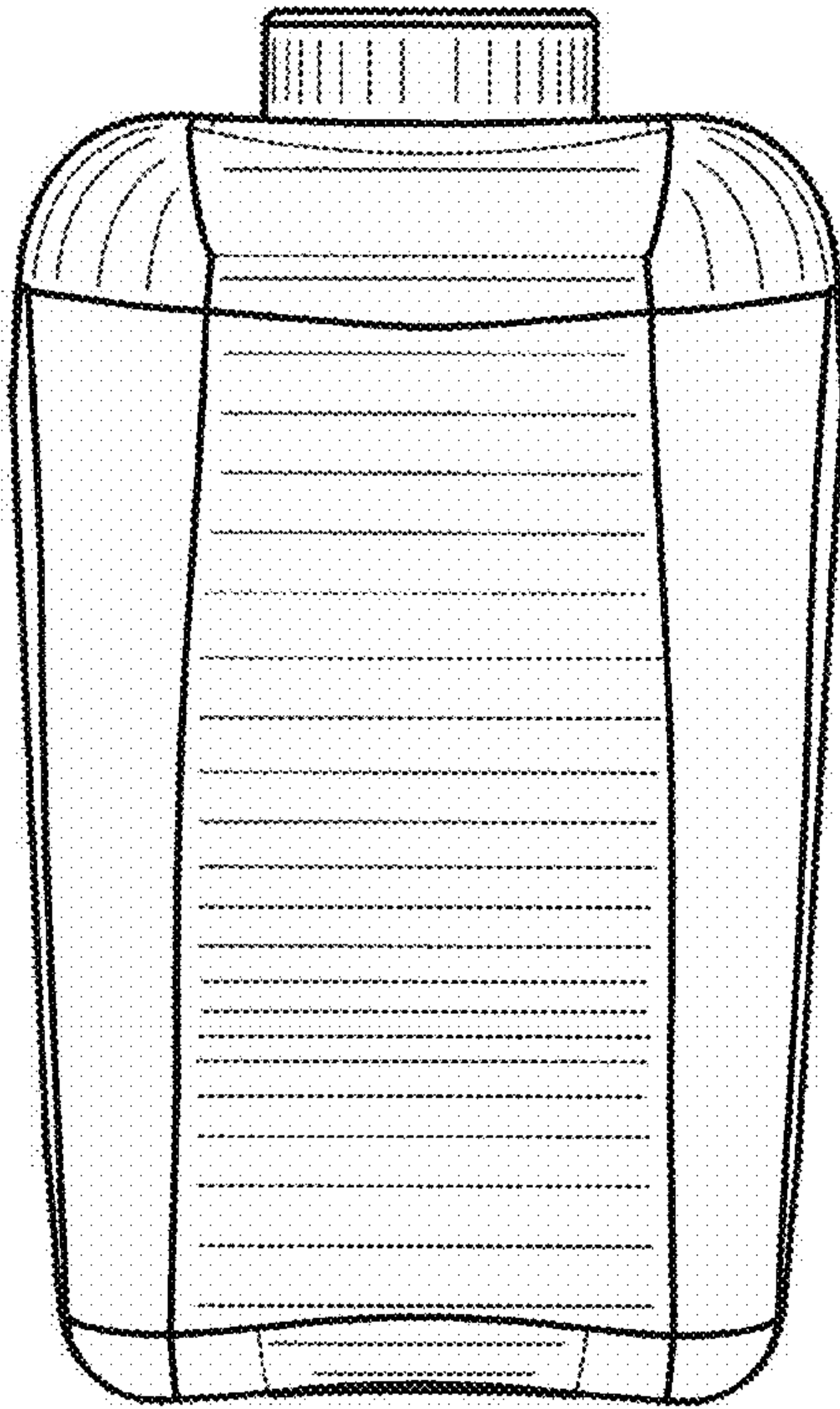


FIG. 7

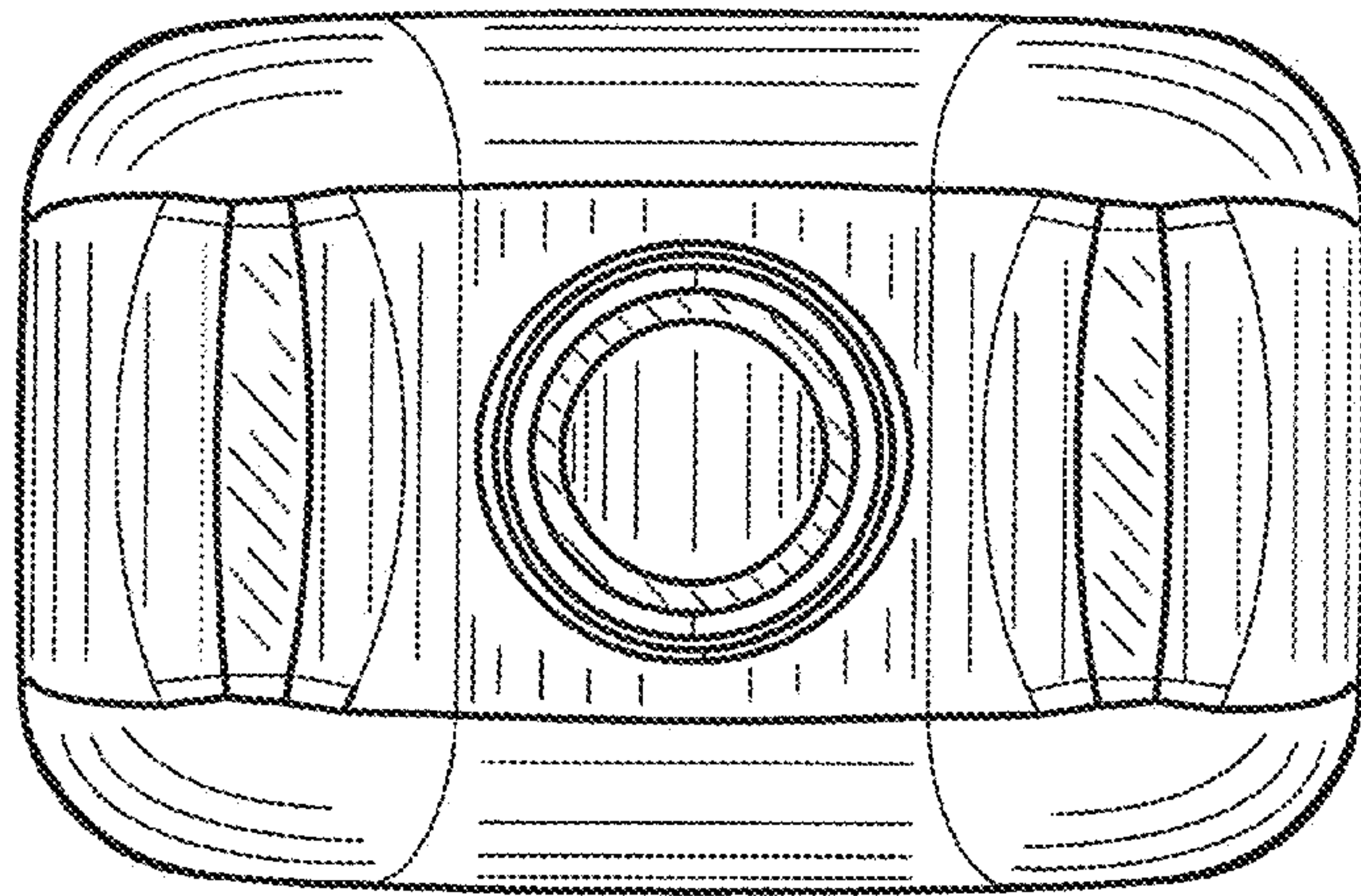


FIG. 8

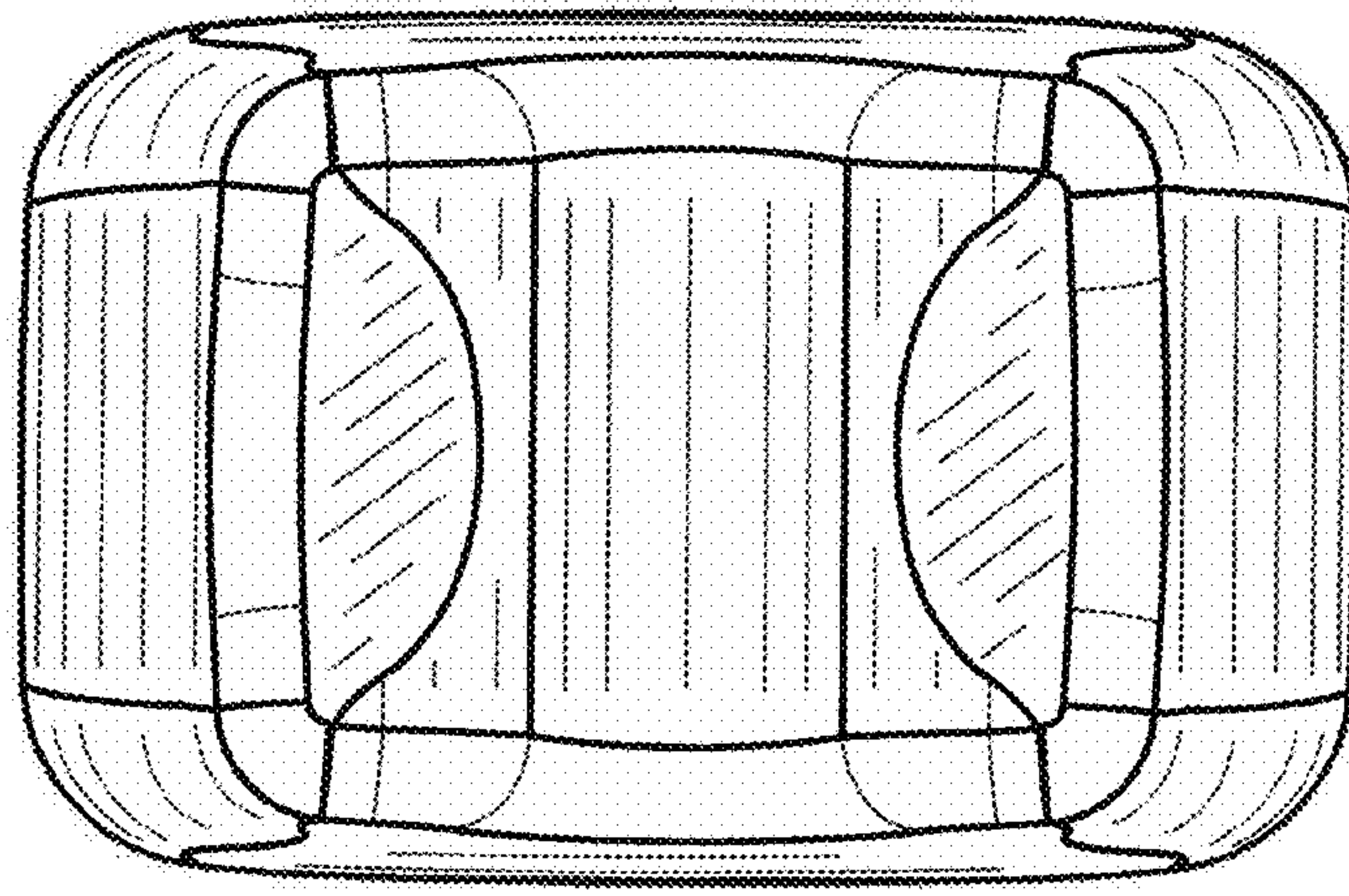


FIG. 9