



US00D765513S

(12) **United States Design Patent** (10) **Patent No.:** **US D765,513 S**
McCay et al. (45) **Date of Patent:** **** Sep. 6, 2016**

(54) **CONTAINER**

(71) Applicant: **SD IP HOLDINGS COMPANY,**
Cincinnati, OH (US)

(72) Inventors: **James McCay,** Fairfield, CT (US);
Peter B. Clarke, Fairfield, CT (US);
Edmund Farmer, Seymour, CT (US);
Vernon N. Goetz, Villa Hills, KY (US);
Stacy Sorby, McDonough, GA (US);
Christian Zmoelnig, Stockbridge, GA (US)

(73) Assignee: **SD IP Holdings Company,** Cincinnati, OH (US)

(**) Term: **14 Years**

(21) Appl. No.: **29/495,897**

(22) Filed: **Jul. 7, 2014**

Related U.S. Application Data

(62) Division of application No. 29/389,740, filed on Apr. 15, 2011, now Pat. No. Des. 709,768.

(51) **LOC (10) Cl.** **09-01**

(52) **U.S. Cl.**
USPC **D9/516; D9/523; D9/563; D9/569;**
D9/571; D9/575

(58) **Field of Classification Search**
USPC D9/434, 516, 523, 528, 530-531,
D9/541-544, 546, 560, 565, 569, 571,
D9/574-575, 742, 744; 215/379, 381-384,
215/396, 398

See application file for complete search history.

(56) **References Cited**

U.S. PATENT DOCUMENTS

D35,369 S * 12/1901 Lorenz D9/669
D74,602 S 3/1928 Halk

D142,778 S * 11/1945 Genske D9/669
D160,566 S * 10/1950 Wolf D9/669
D197,812 S 3/1964 Washington
D197,918 S 4/1964 Petitto
D204,325 S 4/1966 Myers et al.
D307,551 S 5/1990 Platte
D311,134 S 10/1990 Maes
D311,864 S 11/1990 Davis
D332,572 S 1/1993 Dinand
D353,331 S 12/1994 Larkin et al.

(Continued)

FOREIGN PATENT DOCUMENTS

EP 001771759-0001 1/2011
EP 001771759-0002 1/2011

(Continued)

Primary Examiner — Carol P Rademaker

(74) *Attorney, Agent, or Firm* — McDermott Will & Emery LLP

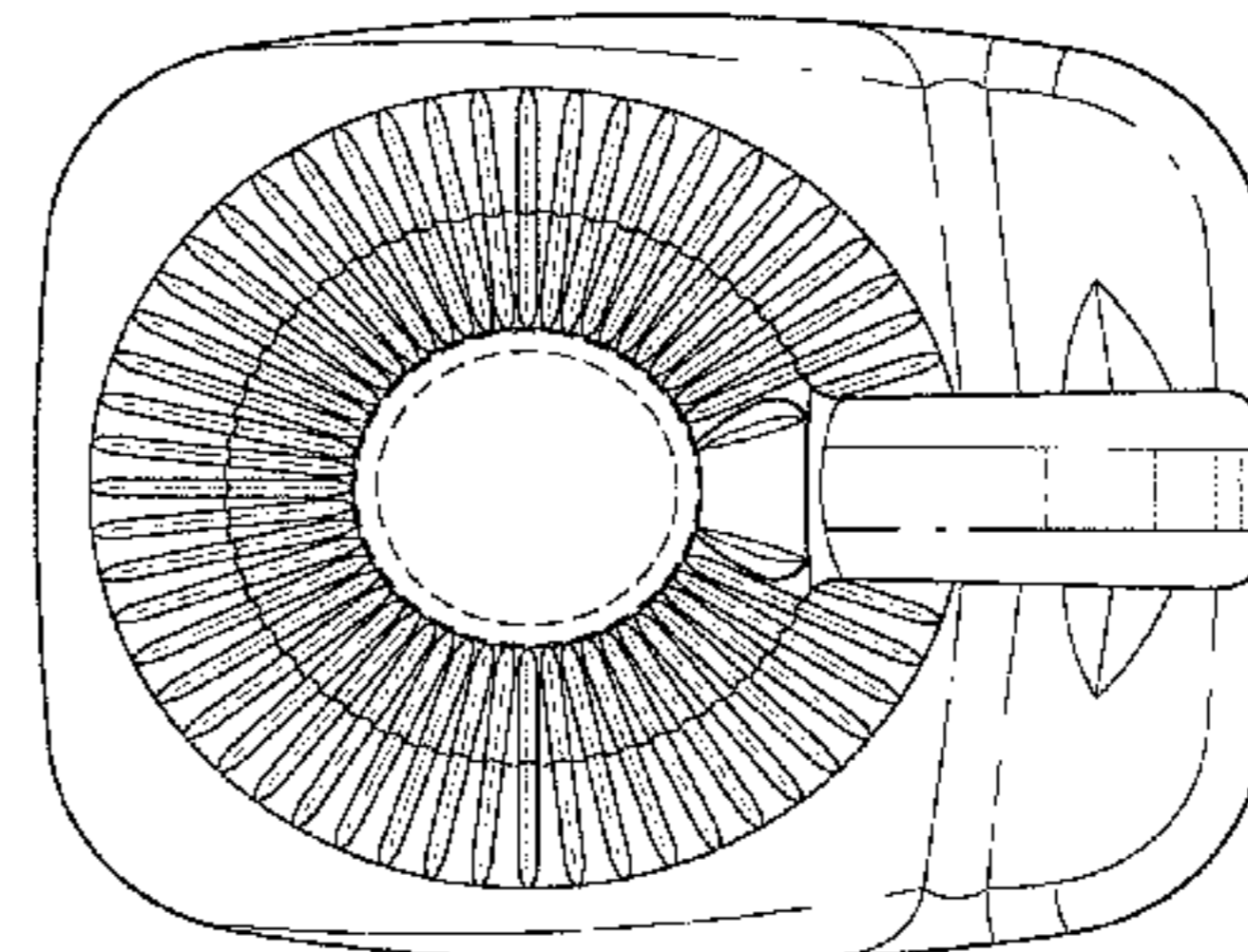
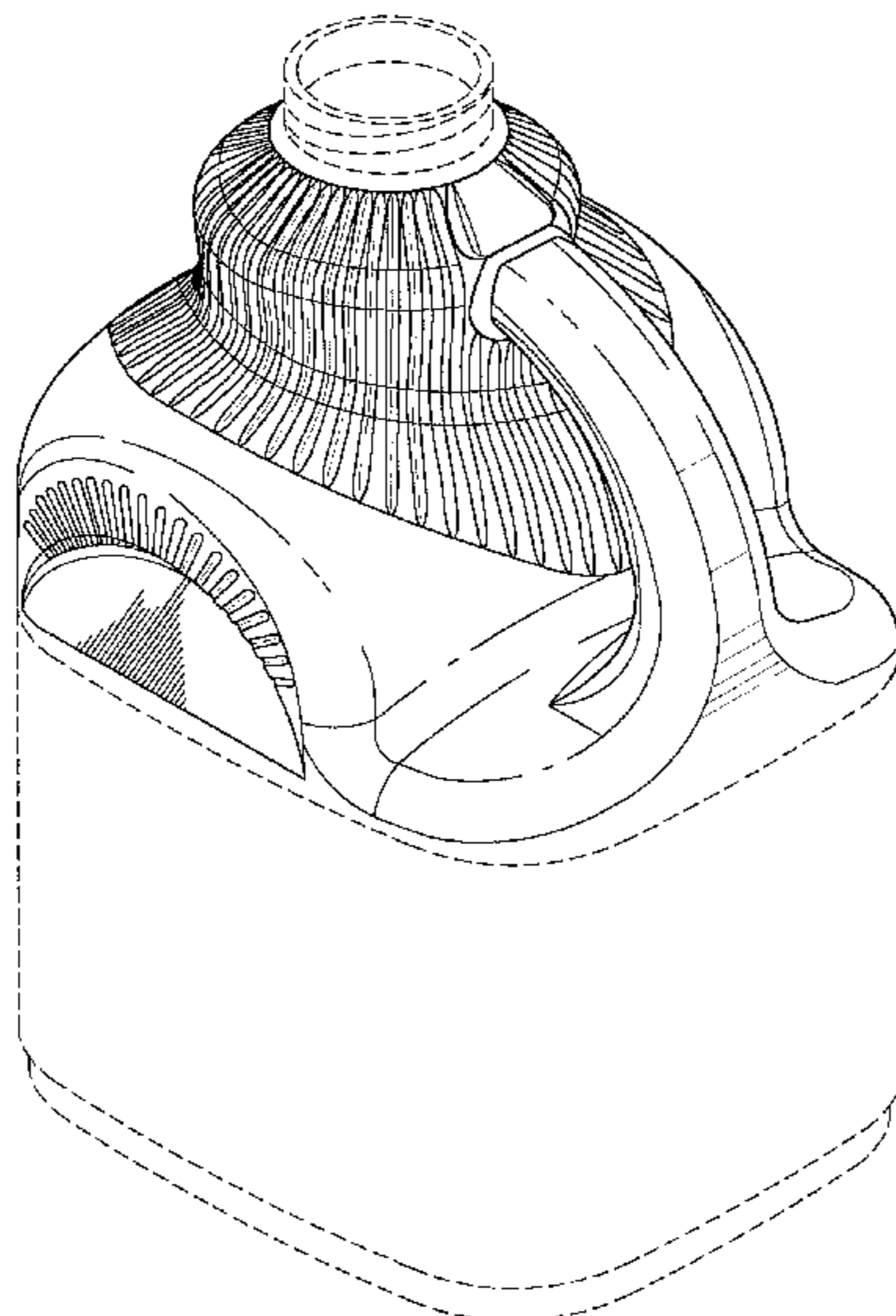
(57) **CLAIM**

We claim the ornamental design for a container, as shown and described.

DESCRIPTION

FIG. 1 is a top, rear, left side perspective view of a container according to the new design;
FIG. 2 is a left side elevational view thereof;
FIG. 3 is a cross-sectional view of the container of FIG. 1 taken along the line 3-3 in FIG. 2;
FIG. 4 is a right side elevational view thereof;
FIG. 5 is a front elevational view thereof;
FIG. 6 is a rear elevational view thereof;
FIG. 7 is a top plan view thereof; and,
FIG. 8 is a bottom plan view thereof.
The broken lines shown in the drawings are included for the purpose of illustrating portions of the container that form no part of the claimed design.

1 Claim, 6 Drawing Sheets



(56)

References Cited

U.S. PATENT DOCUMENTS

D382,485 S 8/1997 Krishnakumar et al.
 D401,154 S 11/1998 Robinson
 D403,591 S 1/1999 Nijs et al.
 D406,243 S 3/1999 Ricci
 D427,912 S 7/2000 Johnson et al.
 D452,158 S 12/2001 Dygert
 D453,685 S 2/2002 Lane et al.
 D479,985 S 9/2003 Lowance
 D503,624 S 4/2005 Charriez
 D508,408 S 8/2005 Roseberg
 D528,008 S 9/2006 Lovelace et al.
 D535,889 S 1/2007 Kaminski et al.
 D536,983 S 2/2007 Robinson
 D538,667 S 3/2007 Hague et al.
 D548,096 S 8/2007 Harper et al.
 D557,141 S 12/2007 Pedmo et al.
 D577,294 S * 9/2008 Suxdorf D9/504
 D578,893 S * 10/2008 Rosinski D9/526

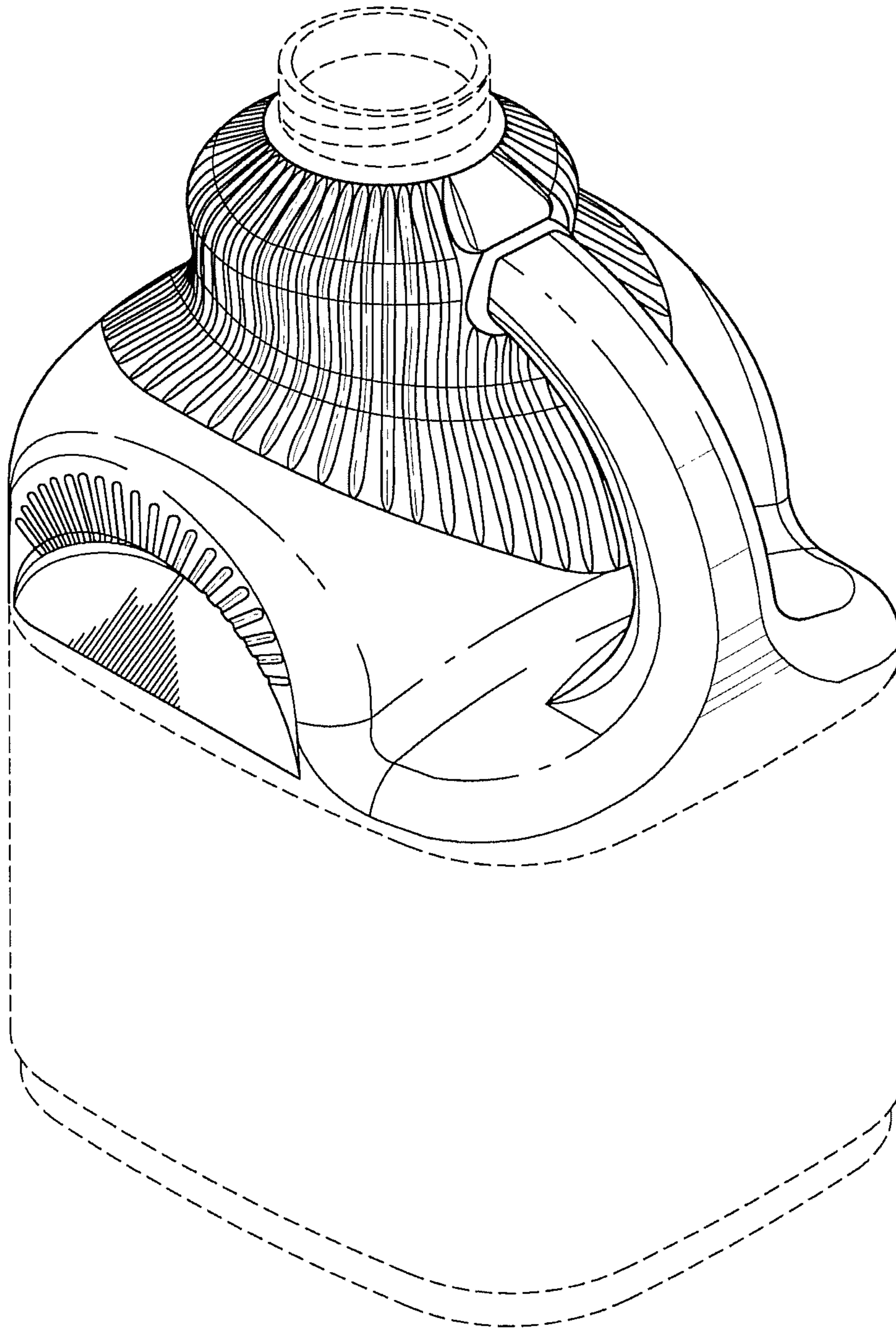
D612,734 S 3/2010 Sarsfield-Thomas et al.
 D629,696 S 12/2010 Pedmo et al.
 D632,966 S 2/2011 Pedmo et al.
 D652,729 S 1/2012 Young et al.
 D659,001 S 5/2012 Enciso et al.
 D660,163 S 5/2012 Miller et al.
 D661,590 S 6/2012 McCay et al.
 D661,591 S 6/2012 McCay et al.
 D670,564 S 11/2012 McCay et al.
 D672,246 S 12/2012 McCay et al.
 D709,768 S * 7/2014 McCay D9/571 X
 D729,630 S * 5/2015 Serrano D9/569 X
 D735,581 S * 8/2015 Eble D9/571 X
 D751,916 S * 3/2016 Dygert D9/569 X
 2011/0132863 A1 6/2011 Dorn

FOREIGN PATENT DOCUMENTS

EP 001771759-0003 1/2011
 EP 001771759-0004 1/2011

* cited by examiner

FIG. 1



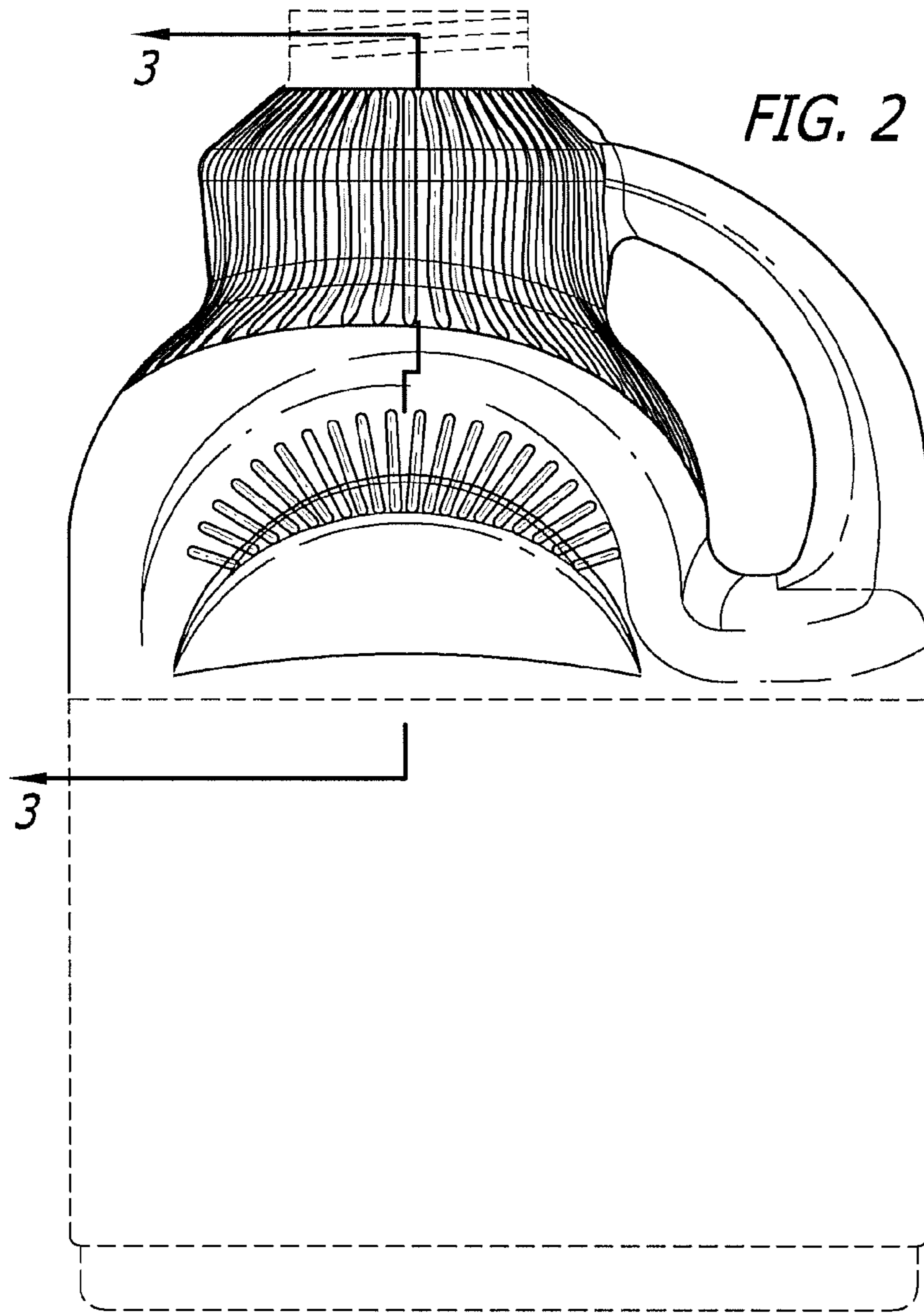


FIG. 3

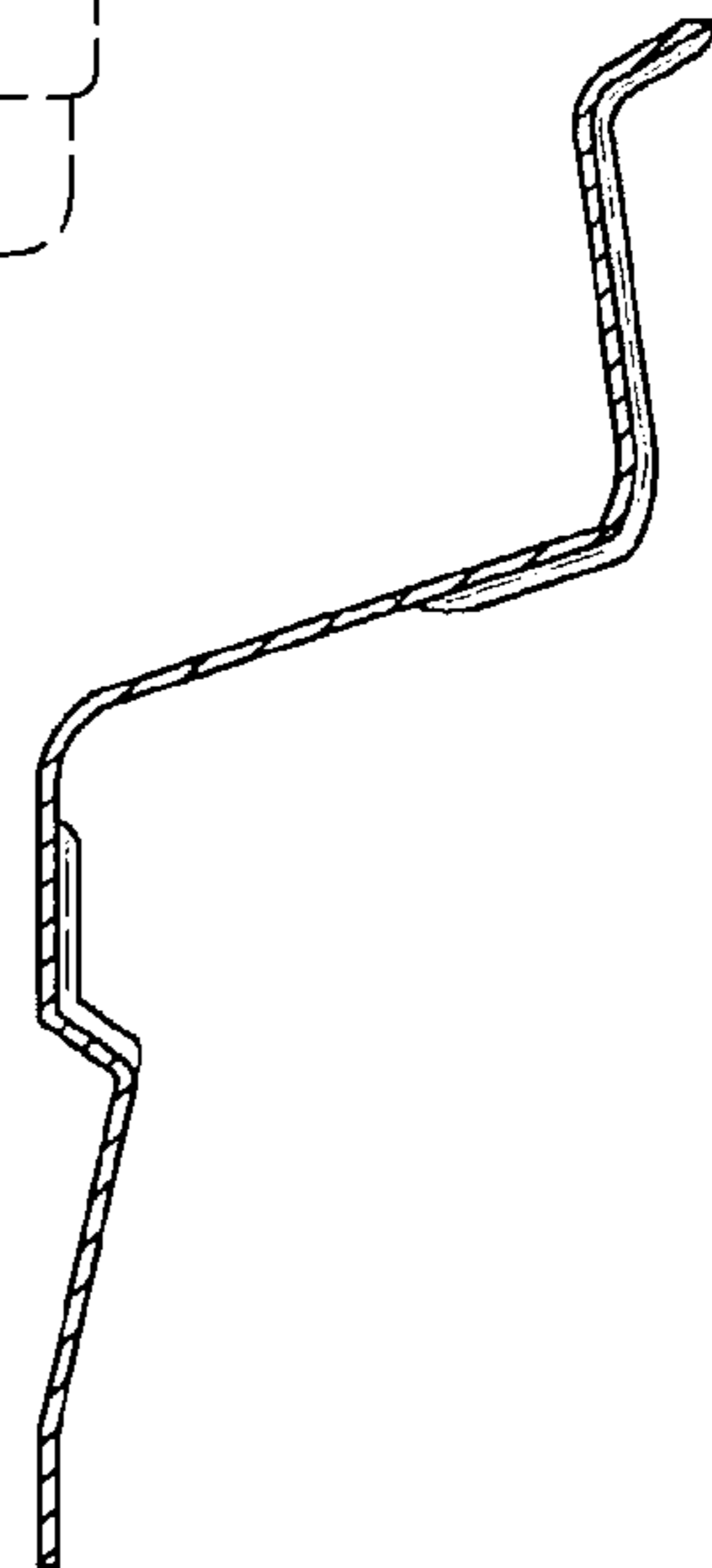


FIG. 4

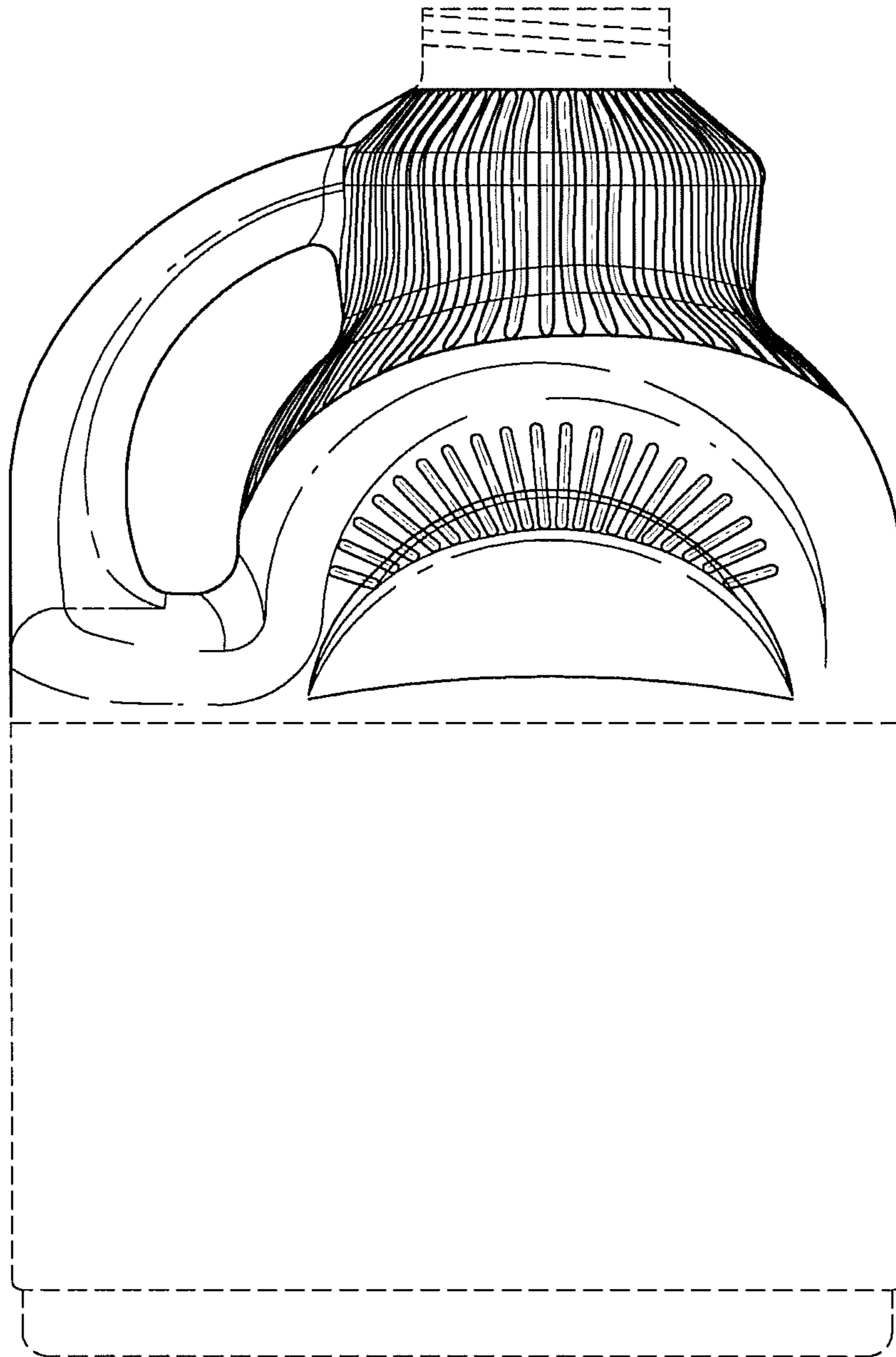


FIG. 5

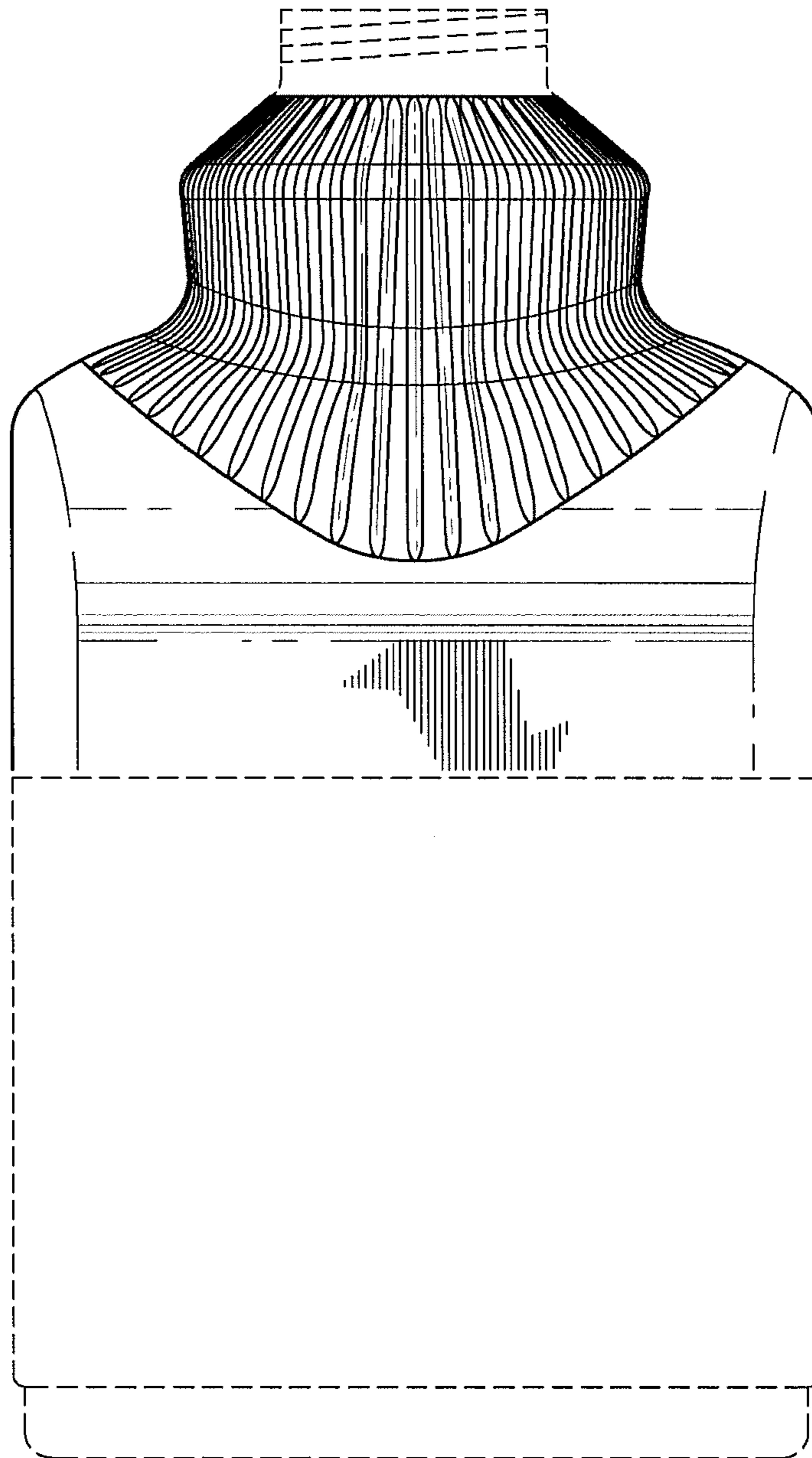


FIG. 6

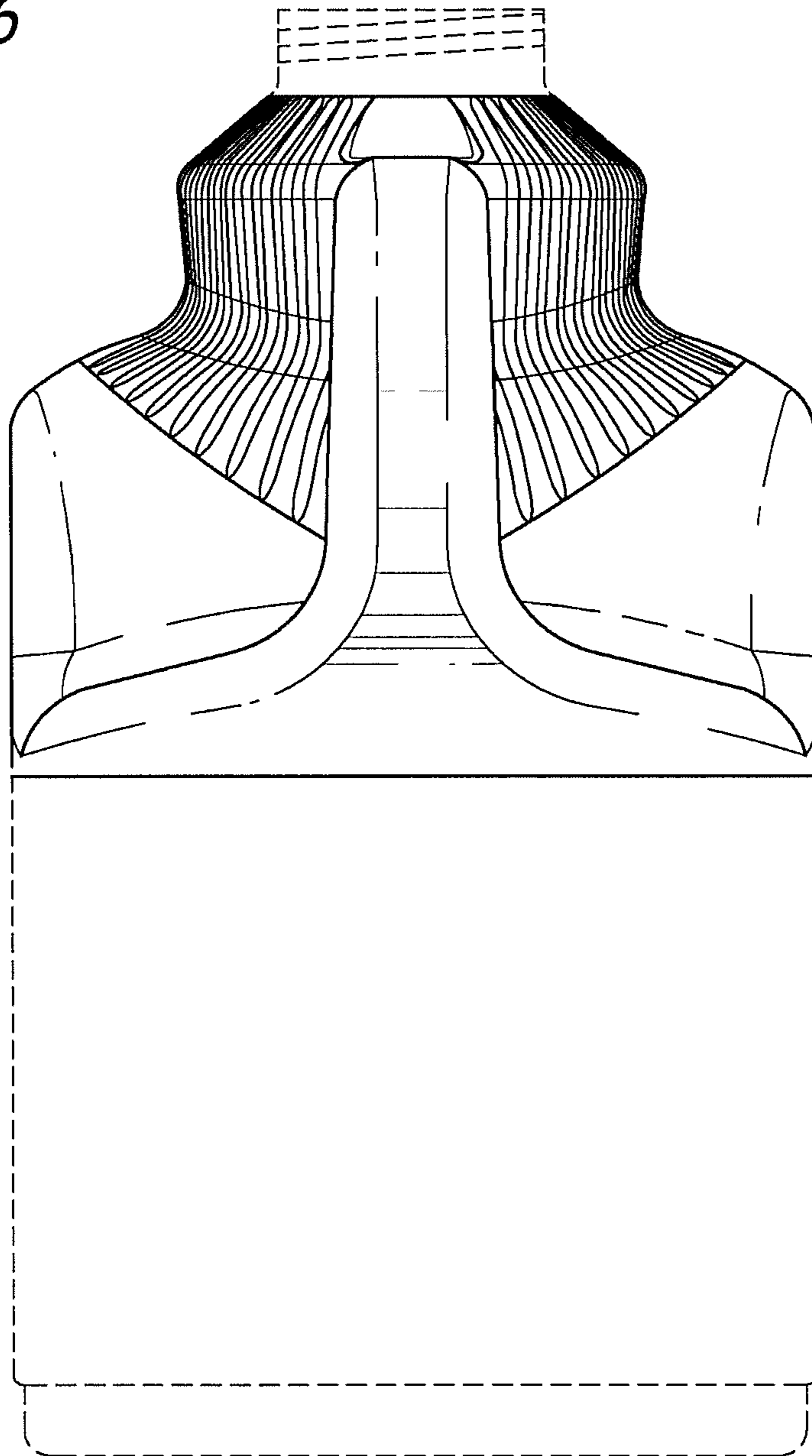


FIG. 7

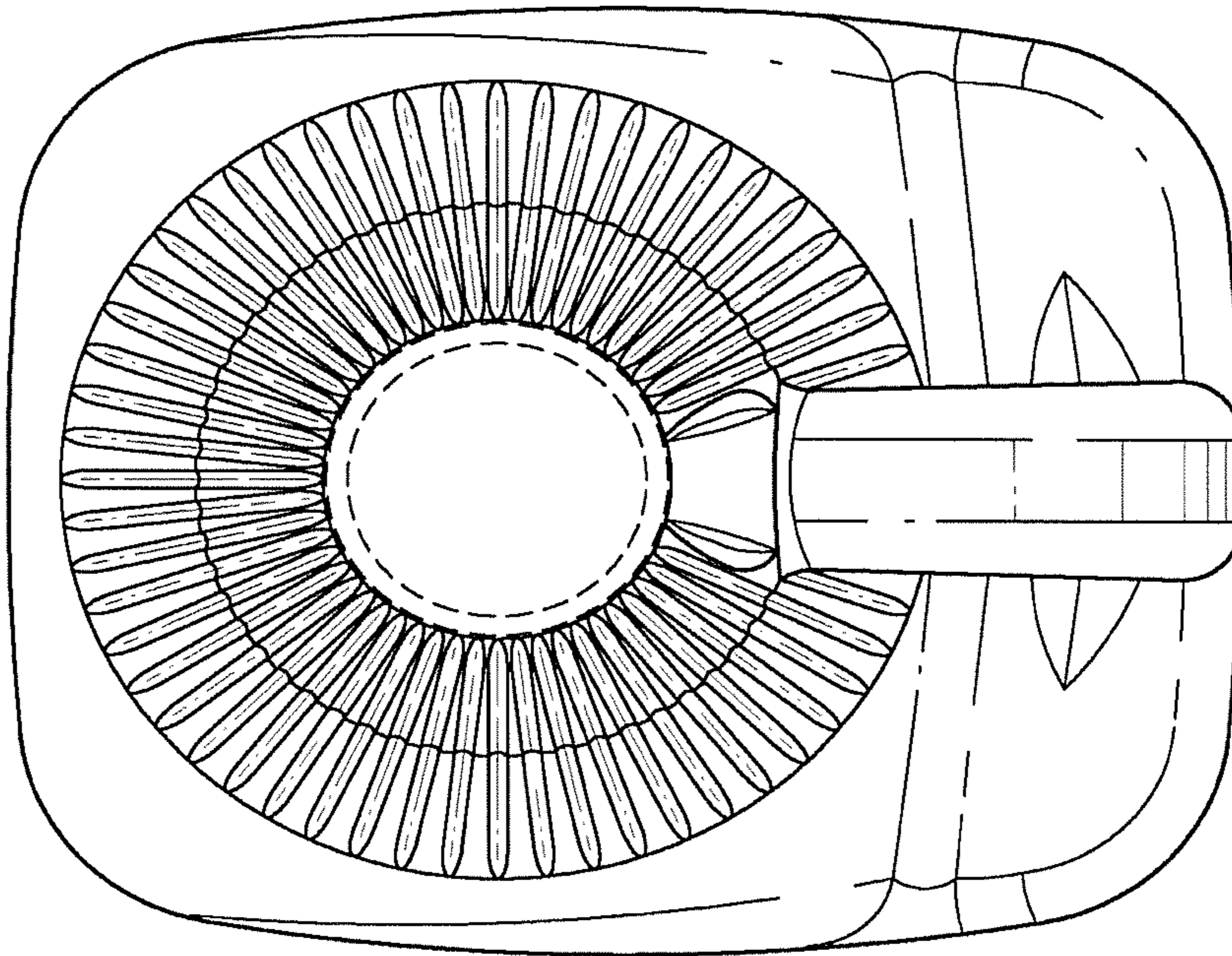


FIG. 8

