



US00D765508S

(12) **United States Design Patent** (10) **Patent No.:** **US D765,508 S**  
**Wu** (45) **Date of Patent:** **\*\* Sep. 6, 2016**

(54) **SEALING CAP FOR A CONTAINER**

(71) Applicant: **Tzeng Shyng Industries Corp.**, Tainan (TW)

(72) Inventor: **Shih-Wei Wu**, Taipei (TW)

(73) Assignee: **TZENG SHYNG INDUSTRIES CORP.**, Tainan (TW)

(\*\*) Term: **14 Years**

(21) Appl. No.: **29/525,630**

(22) Filed: **Apr. 30, 2015**

(51) **LOC (10) Cl.** ..... **09-07**

(52) **U.S. Cl.**  
USPC ..... **D9/439; D9/450**

(58) **Field of Classification Search**  
USPC ..... D7/213; D9/434-436, 439, 440,  
D9/443-445, 447, 449, 499, 505;  
220/254.7  
CPC ..... B65D 17/506  
See application file for complete search history.

(56) **References Cited**

**U.S. PATENT DOCUMENTS**

D57,132 S \* 2/1921 Jones ..... D9/440  
D403,582 S \* 1/1999 Nask ..... D9/435  
D403,583 S \* 1/1999 Nask ..... D9/435

D540,669 S \* 4/2007 George ..... D7/392.1  
D595,572 S \* 7/2009 Snedden ..... D9/435  
7,607,551 B2 \* 10/2009 Coughlin ..... B65D 17/506  
220/254.7  
D622,591 S \* 8/2010 Biesecker ..... D9/435  
7,866,539 B2 \* 1/2011 Senftner ..... B65D 81/3862  
220/592.1  
D655,158 S \* 3/2012 Drozek ..... D9/435  
D677,203 S \* 3/2013 Russell ..... D12/100  
2010/0099348 A1 \* 4/2010 Wu ..... F04D 25/14  
454/237

\* cited by examiner

*Primary Examiner* — Robert M Spear

*Assistant Examiner* — Darcey E Heflin

(74) *Attorney, Agent, or Firm* — DLA Piper LLP (US)

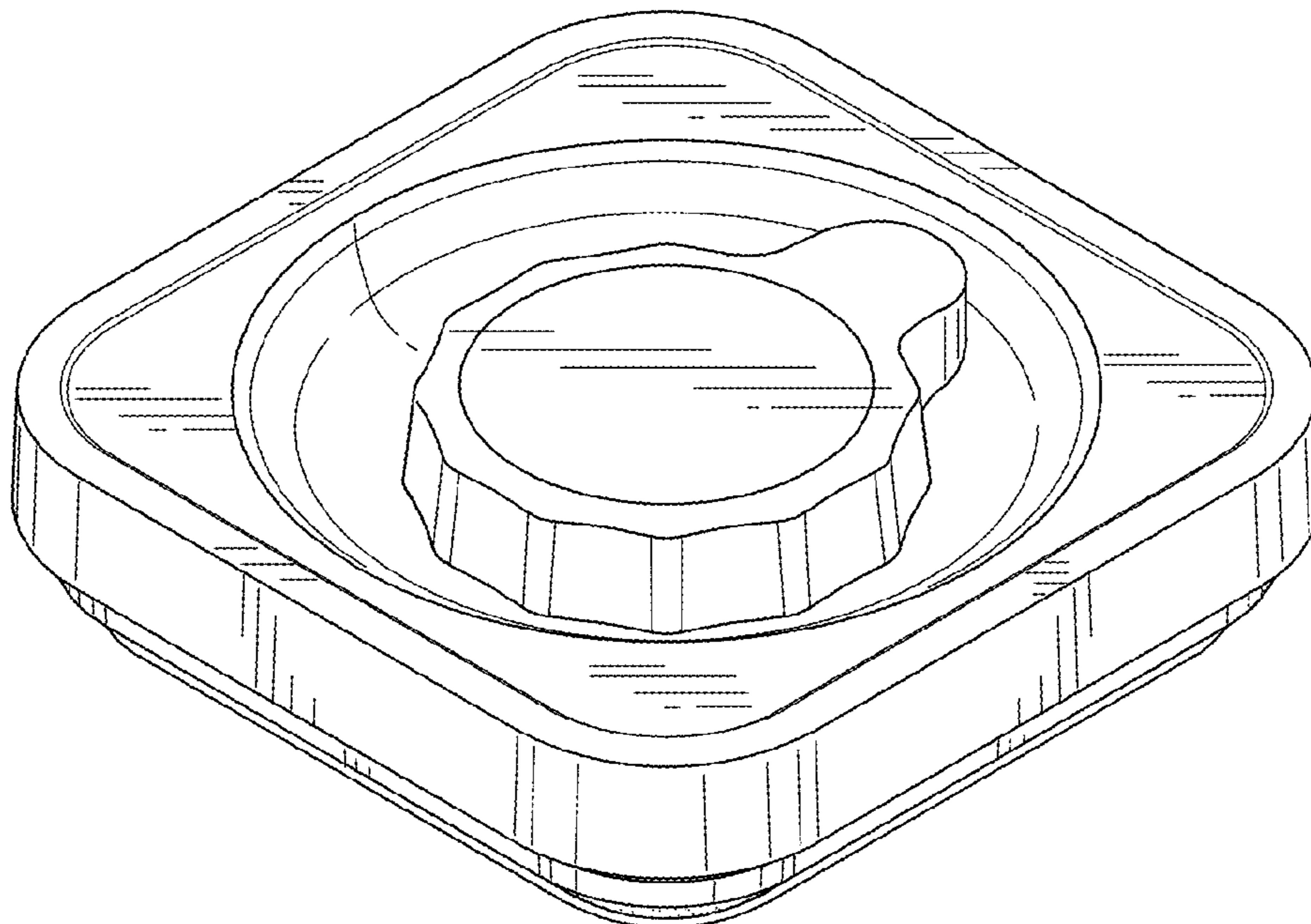
(57) **CLAIM**

The ornamental design for a sealing cap for a container, as shown and described.

**DESCRIPTION**

FIG. 1 is a perspective view of the sealing cap for a container showing my new design;  
FIG. 2 is a front elevational view thereof;  
FIG. 3 is a rear elevational view thereof;  
FIG. 4 is a left side elevational view thereof;  
FIG. 5 is a right side elevational view thereof;  
FIG. 6 is a top plan view thereof; and,  
FIG. 7 is a bottom plan view thereof.

**1 Claim, 5 Drawing Sheets**



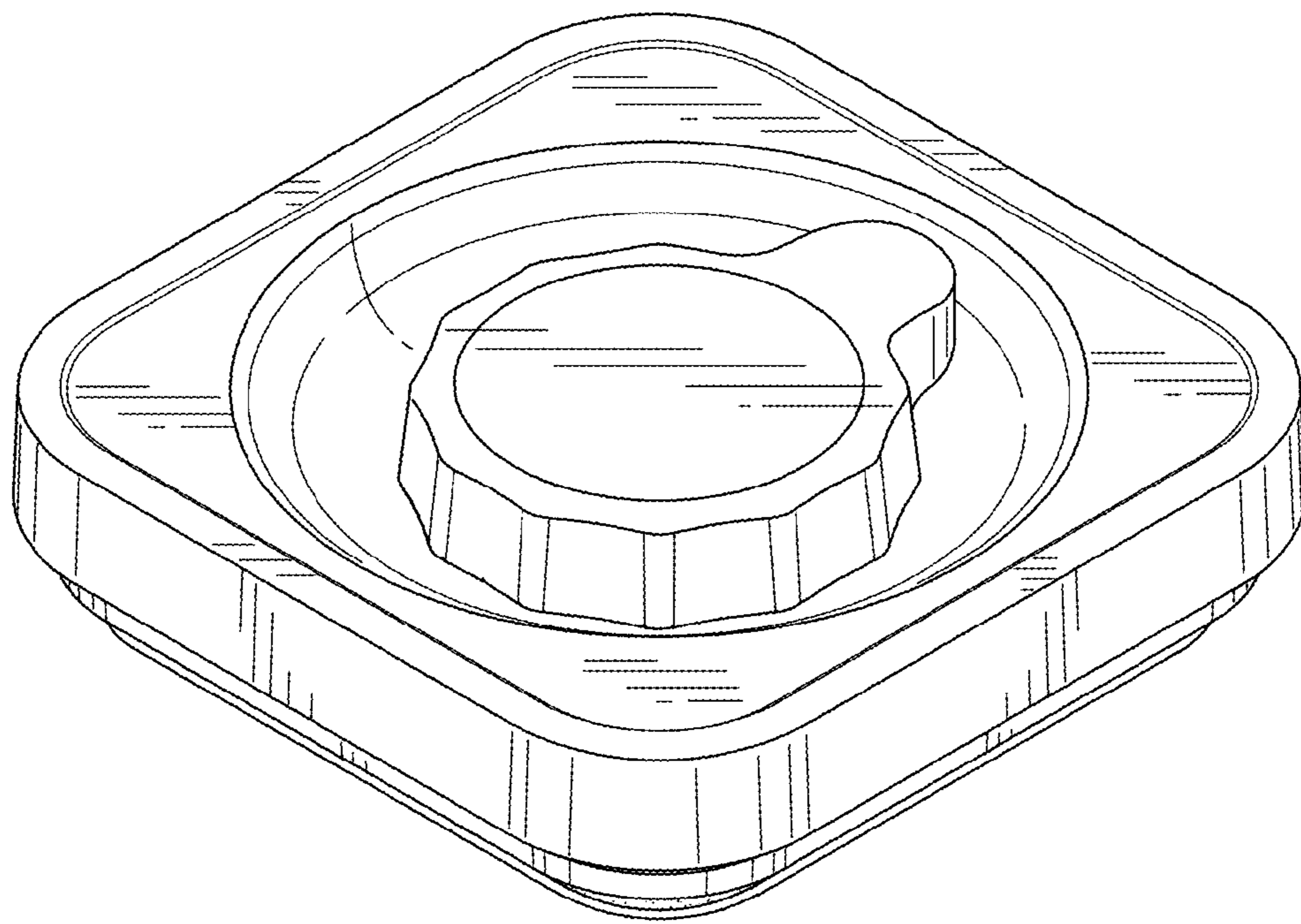


FIG.1

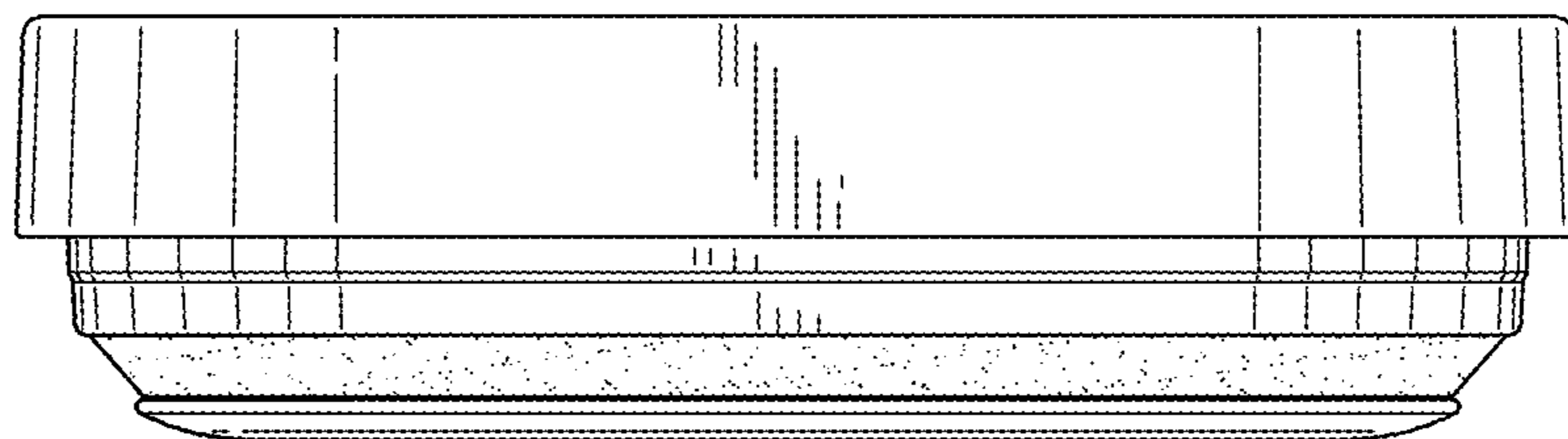


FIG. 2

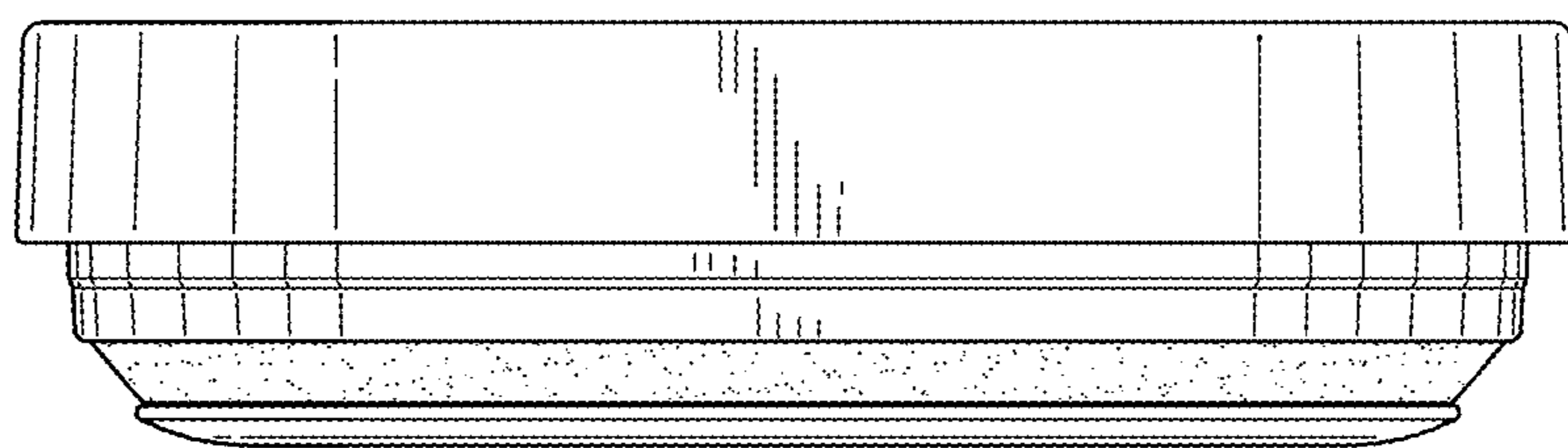


FIG. 3

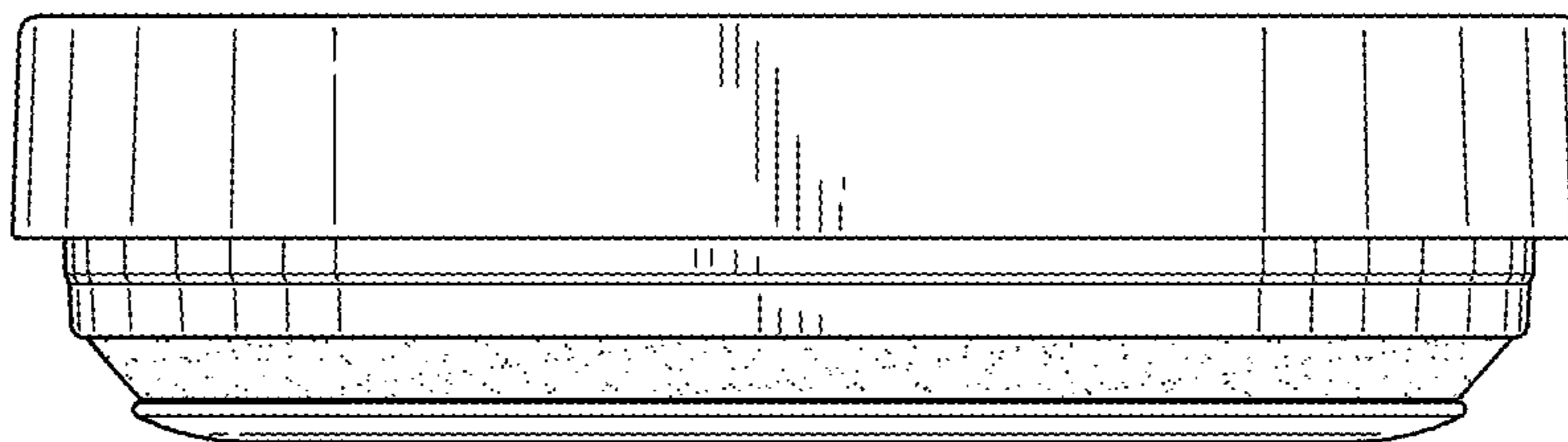


FIG. 4

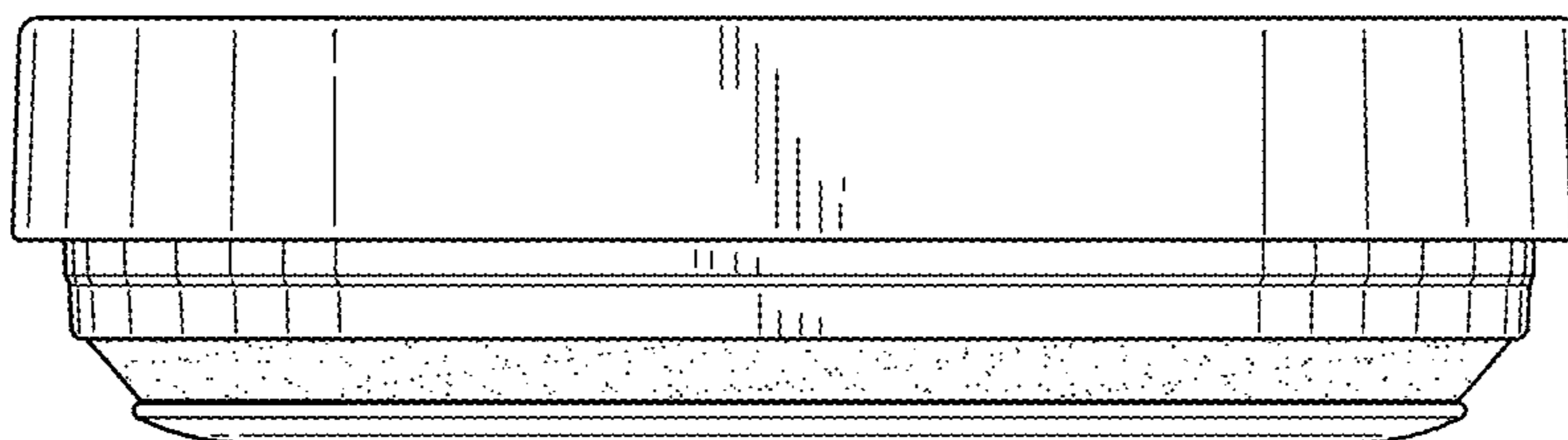


FIG. 5

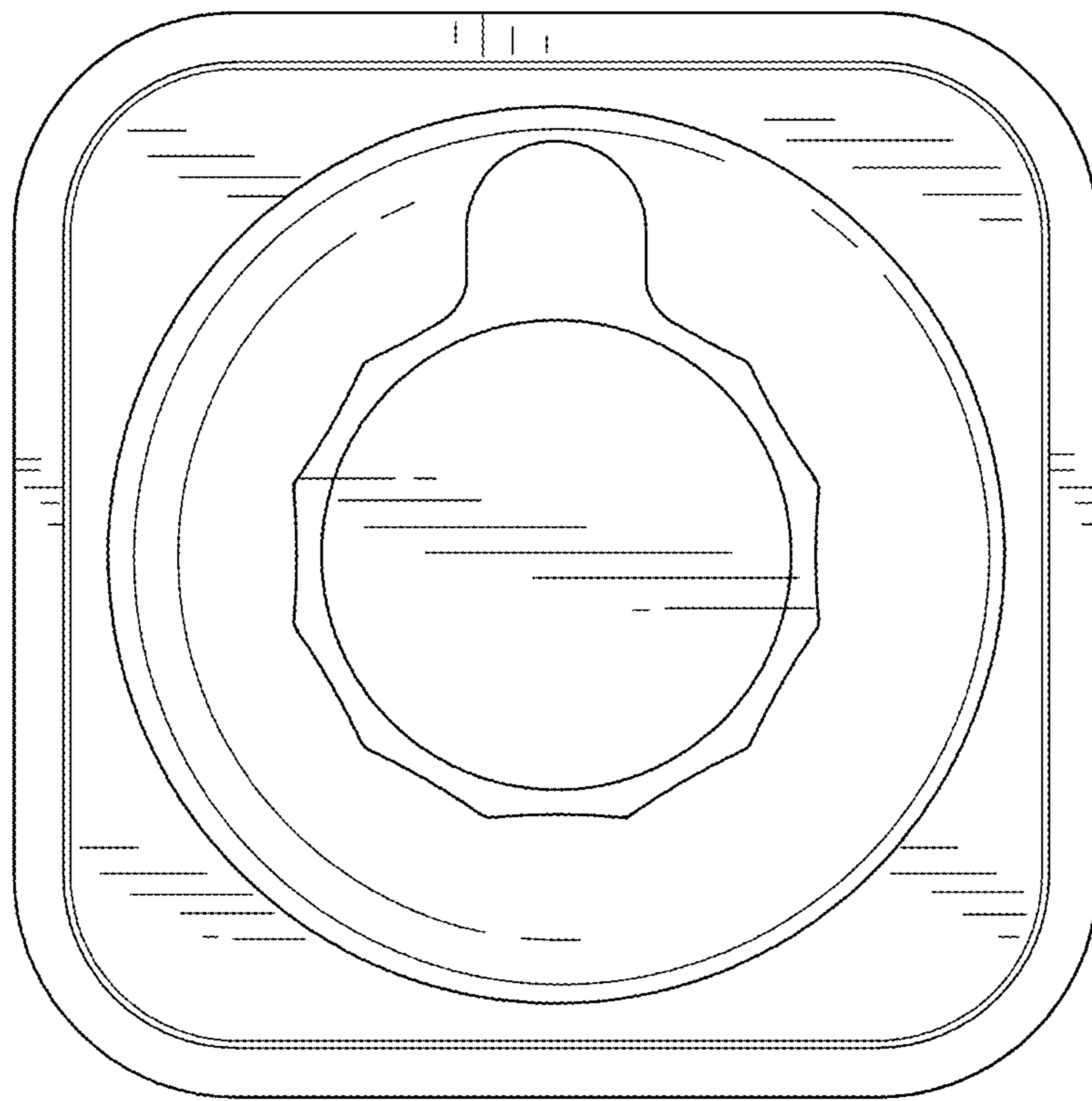


FIG.6

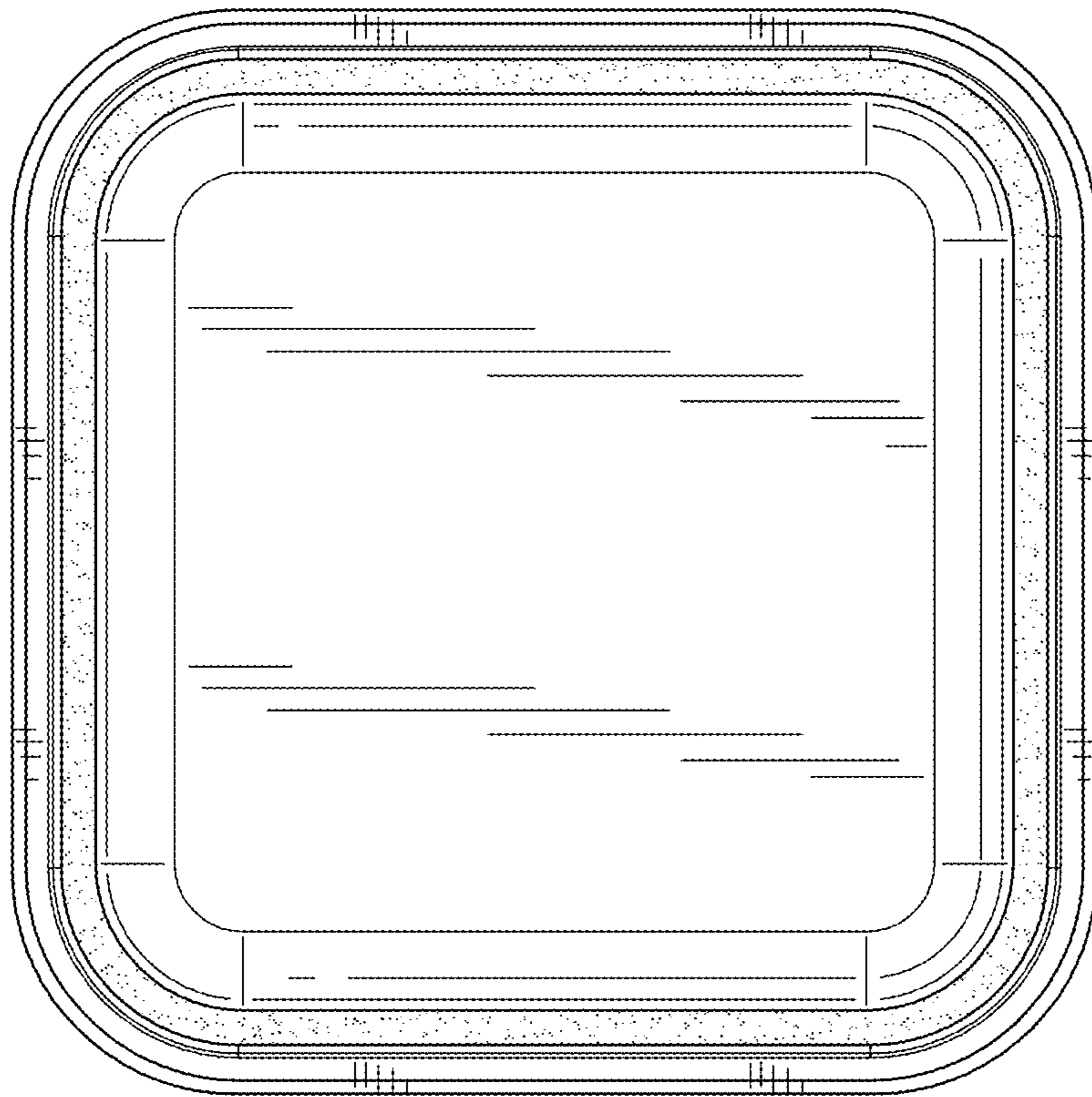


FIG. 7