



US00D765501S

(12) **United States Design Patent** (10) **Patent No.:** **US D765,501 S**
Peers et al. (45) **Date of Patent:** **** Sep. 6, 2016**

(54) **WIPER BLADE PACKAGE WITH SLEEVE**
 (71) Applicant: **Pylon Manufacturing Corp.**, Deerfield Beach, FL (US)
 (72) Inventors: **Robert Peter Peers**, Boca Raton, FL (US); **Hiroshi Kawashima**, Sunrise, FL (US)
 (73) Assignee: **Pylon Manufacturing Corp.**, Deerfield Beach, FL (US)

5,899,334 A 5/1999 Domerchie et al.
 5,911,358 A 6/1999 Kenner et al.
 D413,261 S * 8/1999 Yerich D11/143
 6,070,723 A * 6/2000 Lewis B65D 75/322
 206/335
 6,247,590 B1 * 6/2001 Baker B65D 75/366
 206/335
 6,279,746 B1 * 8/2001 Hussaini B65D 75/366
 206/461
 D448,295 S 9/2001 Mozez
 D462,262 S * 9/2002 Leja D9/415
 D471,505 S * 3/2003 Wang D12/220
 6,766,906 B2 * 7/2004 Charng B65D 43/162
 206/461
 D499,962 S 12/2004 Lee et al.

(**) Term: **14 Years**

(21) Appl. No.: **29/525,746**

(22) Filed: **May 1, 2015**

(51) **LOC (10) Cl.** **09-03**

(52) **U.S. Cl.**
USPC **D9/415**

(58) **Field of Classification Search**
 USPC D9/414-418, 722, 420, 711; D12/220,
 D12/219; D7/354; D5/56; 206/461, 467,
 206/1.5, 335; D11/143
 CPC ... B60S 1/3848; B65D 43/20; B65D 75/322;
 B65D 75/366; B65D 75/225; B65D 43/162;
 B65D 11/12

See application file for complete search history.

(56) **References Cited**

U.S. PATENT DOCUMENTS

3,929,222 A 12/1975 Smith et al.
 D248,375 S 7/1978 Bergstein
 D253,040 S 10/1979 Fournier et al.
 D253,167 S 10/1979 Fournier et al.
 4,239,104 A 12/1980 Roccaforte et al.
 D282,243 S 1/1986 Mason
 D282,718 S 2/1986 Fireman
 D295,020 S 4/1988 Franchi
 5,027,947 A * 7/1991 Reighart B65D 11/12
 206/335
 D327,013 S * 6/1992 Reighart D9/415
 D357,626 S * 4/1995 Snow D9/415
 D406,755 S * 3/1999 Garganese D9/415
 D406,756 S * 3/1999 Garganese D9/415

FOREIGN PATENT DOCUMENTS

WO WO 2010/033646 A2 3/2010

Primary Examiner — Holly Baynham

Assistant Examiner — Rhea Shields

(74) *Attorney, Agent, or Firm* — Cozen O'Connor

(57) **CLAIM**

We claim the ornamental design for a wiper blade package with sleeve, as shown and described.

DESCRIPTION

FIG. 1 is a perspective view of the wiper blade package with sleeve.

FIG. 2 is a front-side view of the wiper blade package with sleeve.

FIG. 3 is a left-side view of the wiper blade package with sleeve.

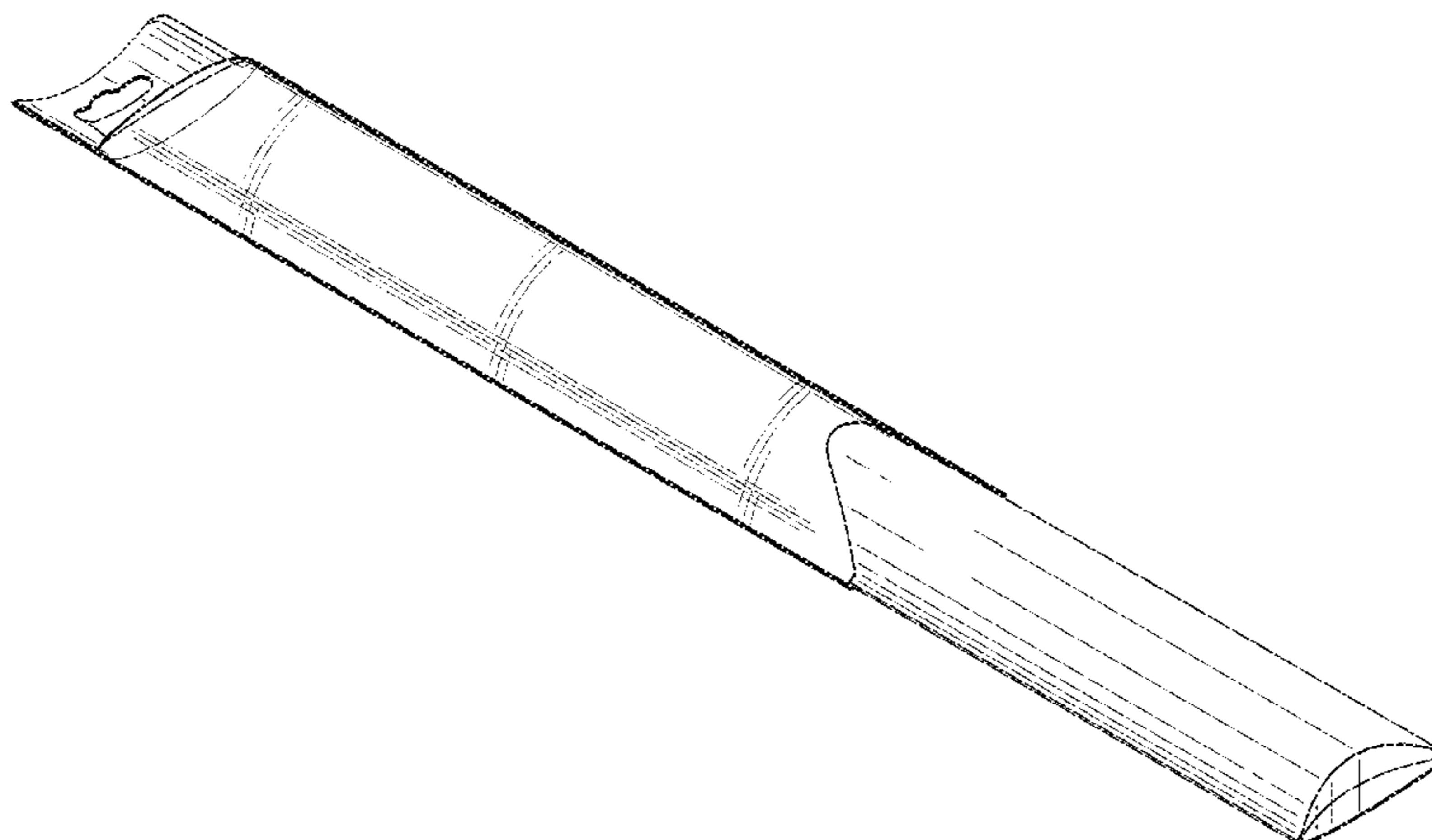
FIG. 4 is a top-side view of the wiper blade package with sleeve.

FIG. 5 is a bottom-side view of the wiper blade package with sleeve.

FIG. 6 is a right-side view of the wiper blade package with sleeve; and,

FIG. 7 is a back-side view of the wiper blade package with sleeve in closed position.

1 Claim, 3 Drawing Sheets



US D765,501 S

Page 2

(56)

References Cited

U.S. PATENT DOCUMENTS

D522,380 S 6/2006 Dibnah et al.
D546,669 S 7/2007 Sheppard et al.
7,258,233 B2 8/2007 Lee
D552,486 S 10/2007 Herring et al.
D573,457 S 7/2008 Park
D575,146 S * 8/2008 Lee D9/415
D577,324 S * 9/2008 McCray D12/220
D582,765 S 12/2008 Gistafson et al.
D584,160 S 1/2009 Zimmermann
D586,663 S 2/2009 Tidqvist
D588,933 S 3/2009 Bonzagi et al.
7,527,151 B2 5/2009 Park
7,614,499 B2 11/2009 Muller
D611,809 S 3/2010 Borgerson et al.
7,690,509 B2 * 4/2010 Herring B60S 1/3848
206/461
7,699,169 B2 4/2010 Lewis
7,857,133 B2 * 12/2010 Skurdalsvold B65D 43/20
206/467
D632,557 S * 2/2011 Clamagirand D9/415
7,926,659 B2 4/2011 Kim
7,975,849 B2 7/2011 Kim
D644,925 S 9/2011 Jaworski
8,042,690 B2 10/2011 Lewis et al.
D647,795 S 11/2011 Eaton et al.
D651,509 S 1/2012 Methe et al.

D658,494 S 5/2012 Raimer et al.
D671,827 S * 12/2012 Raimer D9/415
8,328,011 B2 * 12/2012 Skurdalsvold B65D 43/20
206/1.5
D680,051 S * 4/2013 Tolentino D12/219
8,434,621 B2 5/2013 Hun et al.
D684,862 S 6/2013 DiFranza
D685,260 S * 7/2013 Thielemier D9/415
D686,912 S * 7/2013 Ehde D9/415
8,505,724 B2 8/2013 Bult et al.
D692,750 S 11/2013 Ehde et al.
D692,818 S * 11/2013 Tolentino D12/219
D692,819 S * 11/2013 Tolentino D12/220
D693,213 S * 11/2013 Lee D9/415
D695,632 S * 12/2013 Akana D9/722
8,613,357 B2 12/2013 Putnam
D697,790 S * 1/2014 Iwegbu D9/420
D700,524 S * 3/2014 Ferriter D9/711
D706,200 S * 6/2014 Tolentino D12/220
D708,890 S * 7/2014 Kim D7/354
D709,362 S * 7/2014 Kim D9/415
D711,217 S * 8/2014 Jacobs D9/414
D714,635 S * 10/2014 Demar D9/415
D714,659 S * 10/2014 Akana D9/722
D715,142 S * 10/2014 Allen D5/56
D744,331 S * 12/2015 Vos D9/414
D746,700 S * 1/2016 Boehnen D9/418
2005/0252812 A1 * 11/2005 Lewis B65D 75/225
206/461

* cited by examiner

FIG. 1

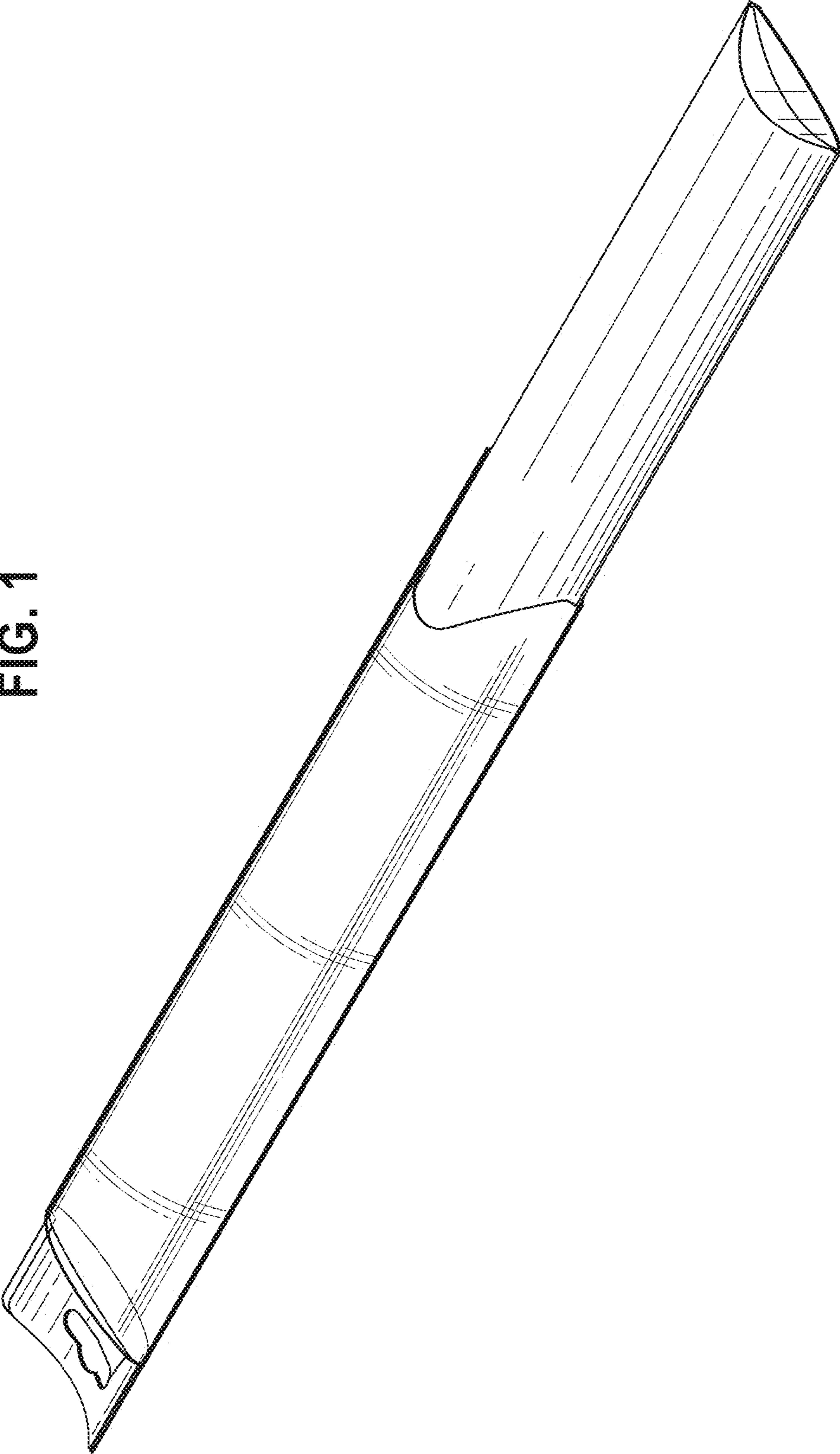


FIG. 2

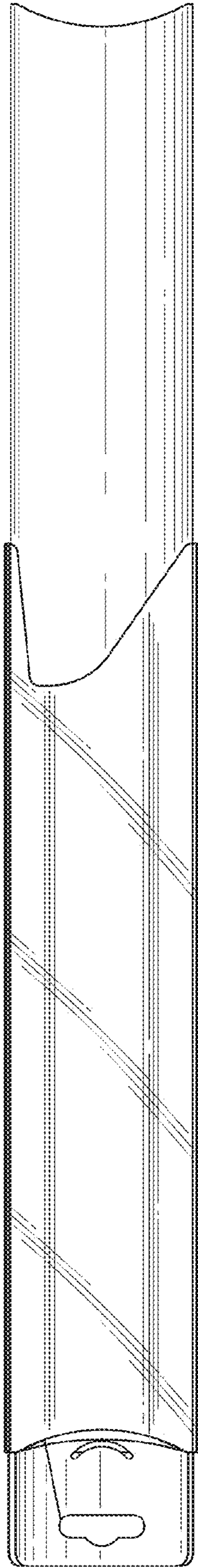


FIG. 3

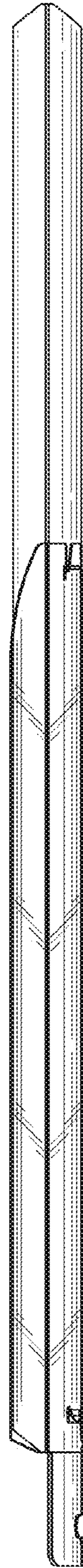


FIG. 4

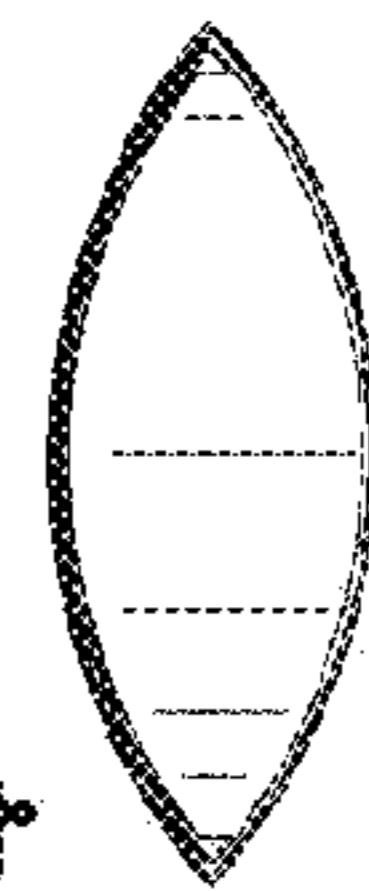


FIG. 5

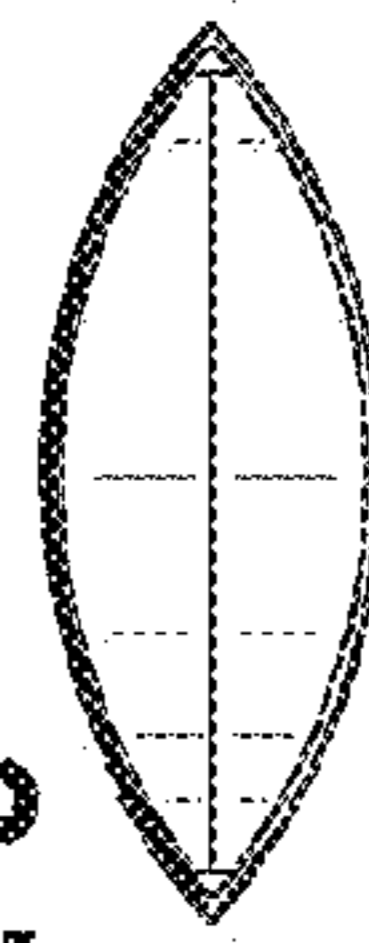


FIG. 6

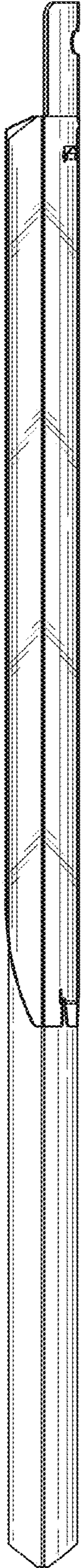


FIG. 7

