



US00D765497S

(12) **United States Design Patent** (10) **Patent No.:** **US D765,497 S**
Petzl (45) **Date of Patent:** **** Sep. 6, 2016**

(54) **CARABINER**

(71) Applicant: **ZEDEL**, Crolles (FR)

(72) Inventor: **Paul Petzl**, Crolles (FR)

(73) Assignee: **ZEDEL**, Crolles (FR)

(**) Term: **15 Years**

(21) Appl. No.: **29/544,740**

(22) Filed: **Nov. 5, 2015**

(30) **Foreign Application Priority Data**

May 6, 2015 (EM) 002695619-0002

(51) **LOC (10) Cl.** **08-05**

(52) **U.S. Cl.**
USPC **D8/356; D8/367**

(58) **Field of Classification Search**
USPC D8/67, 354, 349, 356; D34/35
CPC F16B 45/02; B66C 1/125; B66C 1/36;
A62B 35/0037
See application file for complete search history.

(56) **References Cited**

U.S. PATENT DOCUMENTS

- D241,118 S * 8/1976 Schreyer et al. D8/367
- D271,465 S * 11/1983 Boissonnet D8/367
- D272,717 S * 2/1984 Faidide D8/367
- 4,712,646 A * 12/1987 Page A62B 35/0068
182/9
- D297,878 S * 9/1988 Bergstrom D34/35
- D337,935 S * 8/1993 Hawley D8/367
- 5,257,441 A * 11/1993 Barlow F16B 45/02
24/599.5
- 5,292,165 A * 3/1994 Wiklund B66C 1/36
294/82.2
- 5,538,303 A * 7/1996 Dunham B63B 21/54
24/599.1
- D399,127 S * 10/1998 Messer D8/367
- 5,884,950 A * 3/1999 Fredriksson B66C 1/125
294/82.11
- 6,283,524 B1 * 9/2001 Simond A62B 1/04
24/600.1

- D449,975 S * 11/2001 Smith D8/356
- D455,642 S * 4/2002 Kelleghan D8/367
- D466,791 S * 12/2002 Kelleghan D8/356
- D468,997 S * 1/2003 Chang D8/356
- D485,431 S * 1/2004 Hsu D3/210
- D496,256 S * 9/2004 Hong D8/367
- D520,345 S * 5/2006 Kelleghan D8/356
- D521,362 S * 5/2006 Kelleghan D8/356
- D551,788 S * 9/2007 Bao D26/38
- D573,875 S * 7/2008 Anderson D8/367
- 7,437,806 B2 * 10/2008 Lin F16B 45/02
24/599.5
- D595,119 S * 6/2009 Kelleghan D8/356
- D601,410 S * 10/2009 Lee D8/367
- 8,015,676 B1 * 9/2011 Choate F16B 45/02
24/599.5
- D657,660 S * 4/2012 Petty D8/355
- D659,518 S * 5/2012 Xu D8/356
- 8,276,247 B2 * 10/2012 Yang F16B 45/02
24/599.5
- D670,555 S * 11/2012 Lin D8/367
- D671,293 S * 11/2012 Fredriksson D34/35
- D680,420 S * 4/2013 Ellis D8/367
- 8,572,819 B2 * 11/2013 Yang F16B 45/02
24/599.5

(Continued)

Primary Examiner — Cynthia Underwood
(74) *Attorney, Agent, or Firm* — Oliff PLC

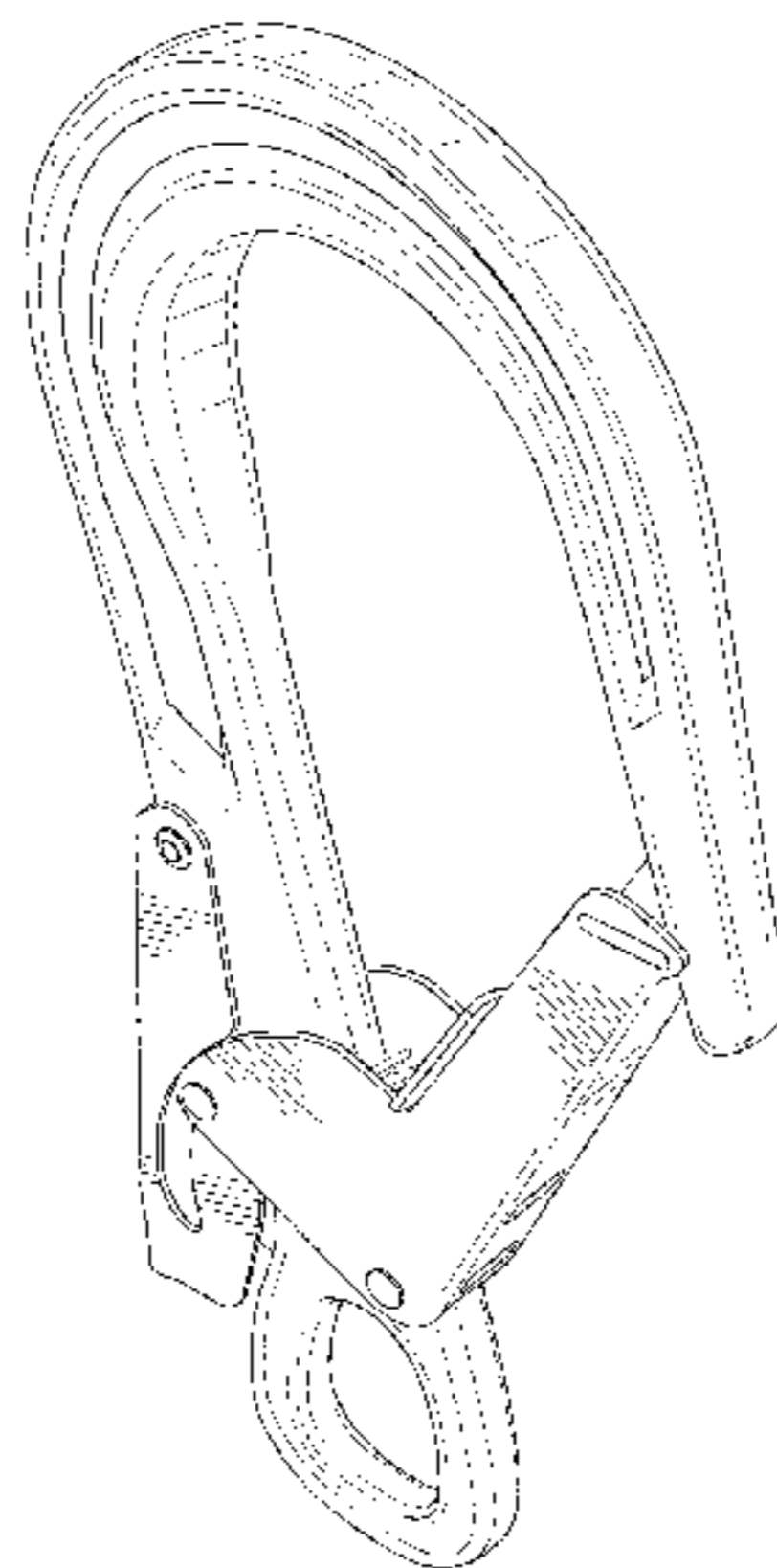
(57) **CLAIM**

The ornamental design for a carabiner, as shown and described.

DESCRIPTION

FIG. 1 is a front, left-side perspective view of the carabiner; FIG. 2 is a left-side elevational view thereof; FIG. 3 is a right-side elevational view thereof; FIG. 4 is a rear elevational view thereof; FIG. 5 is a front elevational view thereof; FIG. 6 is a top plan view thereof; and, FIG. 7 is a bottom plan view thereof. The broken lines depict environmental subject matter only and form no part of the claimed design.

1 Claim, 6 Drawing Sheets



(56)

References Cited

U.S. PATENT DOCUMENTS

D699,098 S *	2/2014	Fretz	D8/367	9,091,295 B1 *	7/2015	Yang	A62B 35/0037
D708,931 S *	7/2014	Petzl	D8/356	D738,196 S *	9/2015	Petzl	D8/356
9,003,617 B2 *	4/2015	Walker	F16B 45/02	D743,778 S *	11/2015	Huang	D8/367
			24/599.1	9,175,717 B2 *	11/2015	Tardif	F16B 45/02
D730,159 S *	5/2015	Grimm	D8/356	9,249,602 B1 *	2/2016	Greer	E05B 19/04
D730,722 S *	6/2015	Grimm	D8/356	9,322,428 B2 *	4/2016	Perner	F16B 45/02
D735,018 S *	7/2015	McEvelly	D8/356	D755,612 S *	5/2016	Cooper	D8/367
				D758,172 S *	6/2016	Hung	D8/367

* cited by examiner

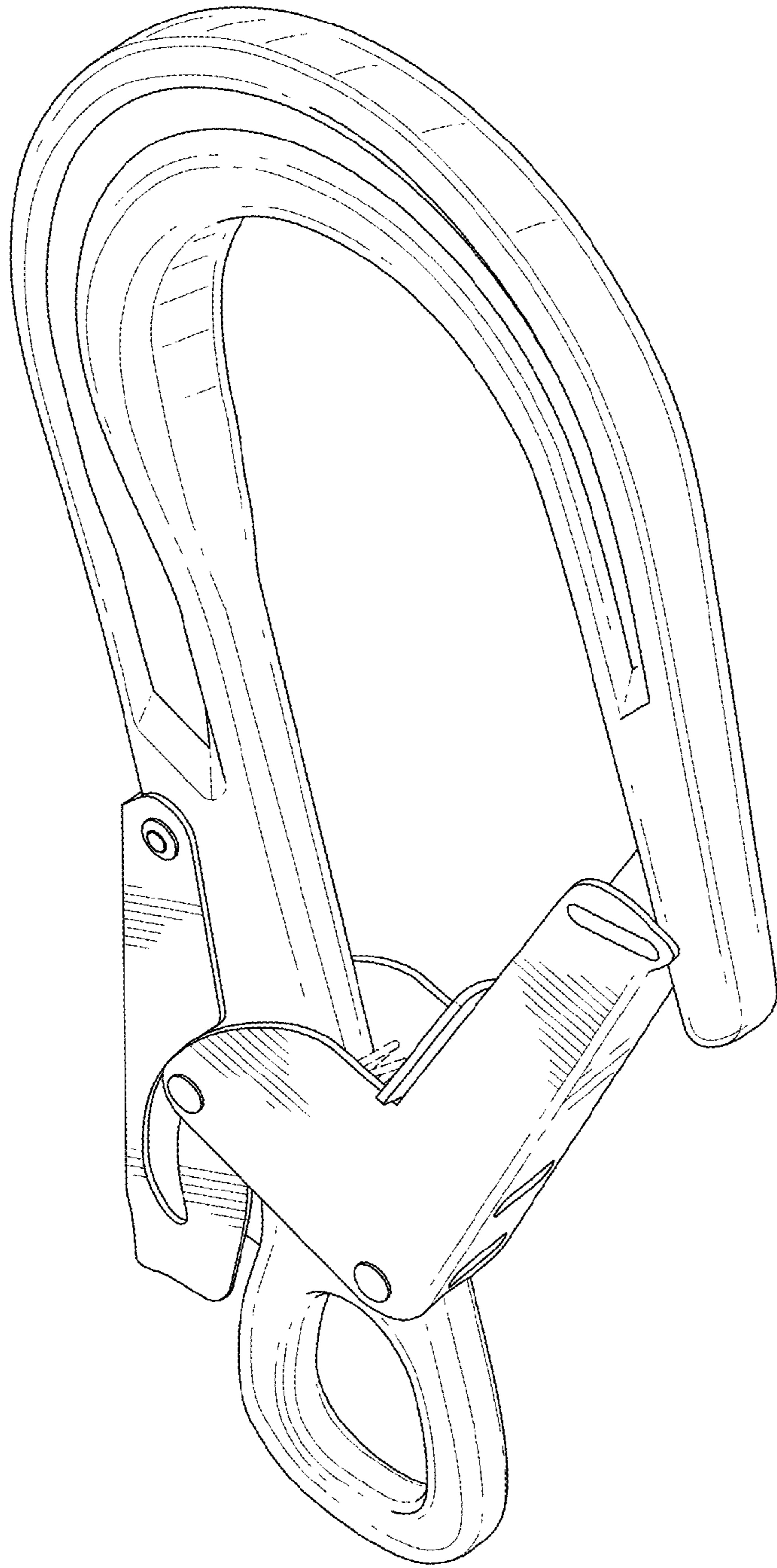


FIG. 1

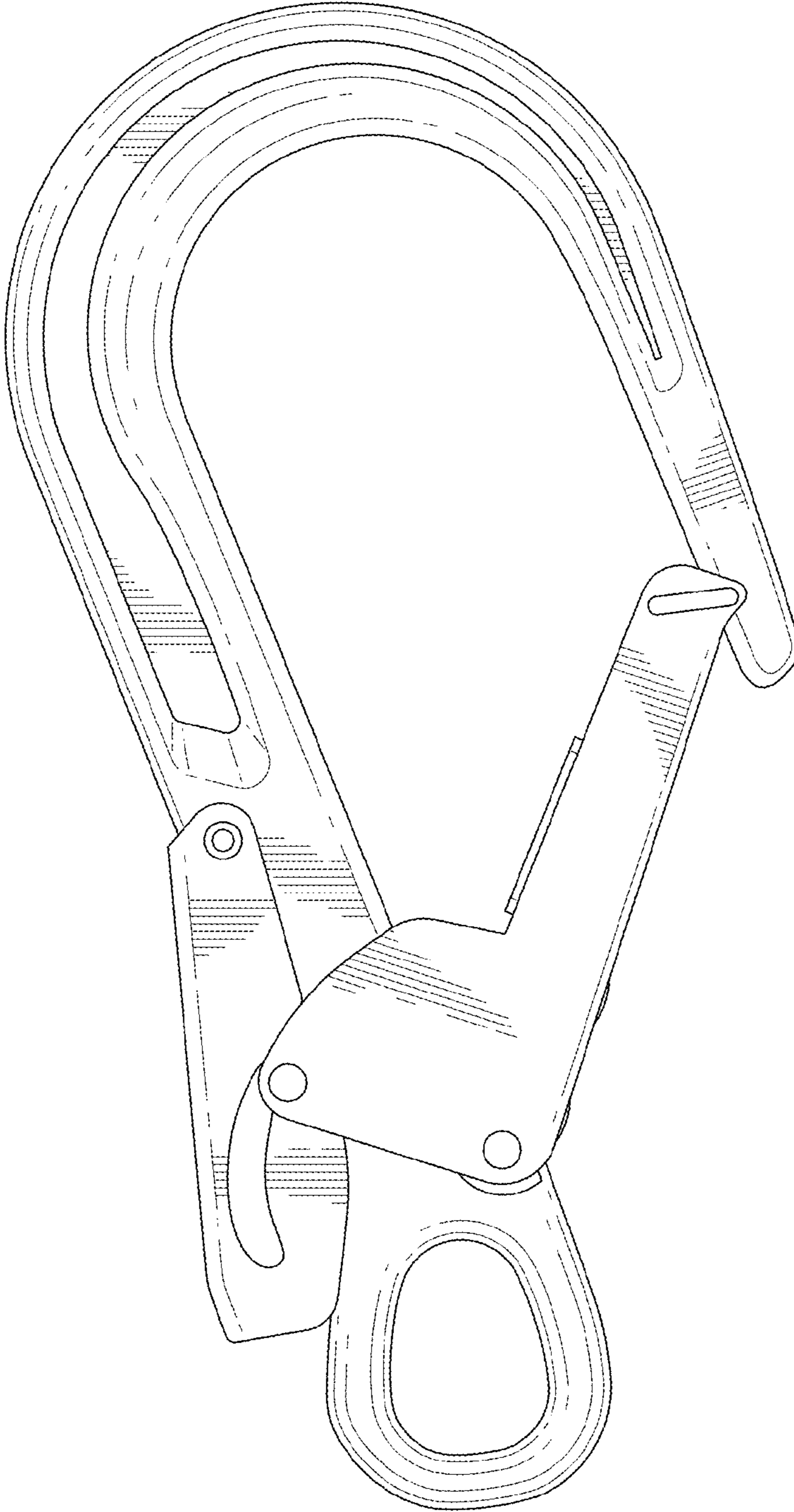


FIG. 2

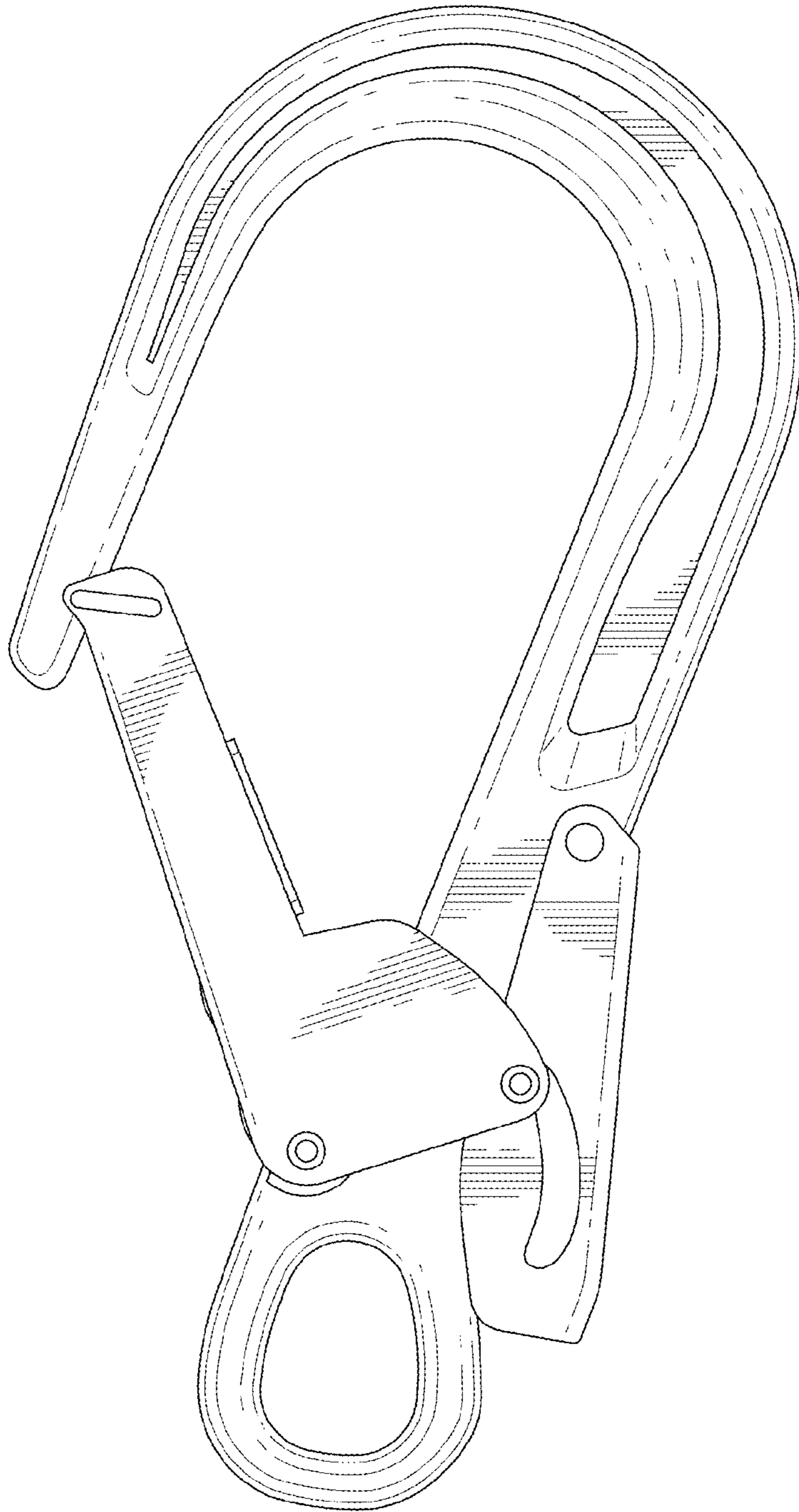


FIG. 3

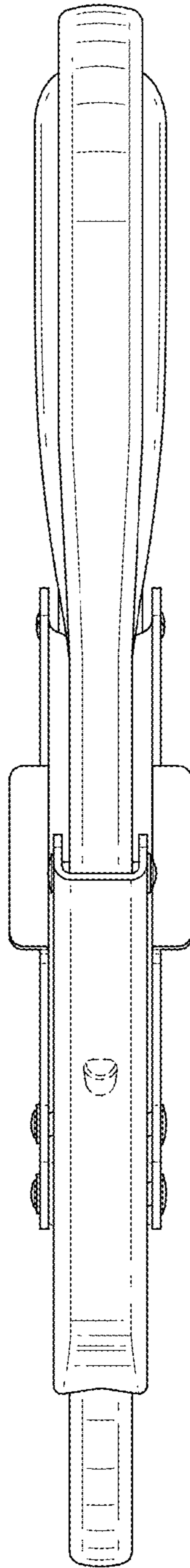


FIG. 4

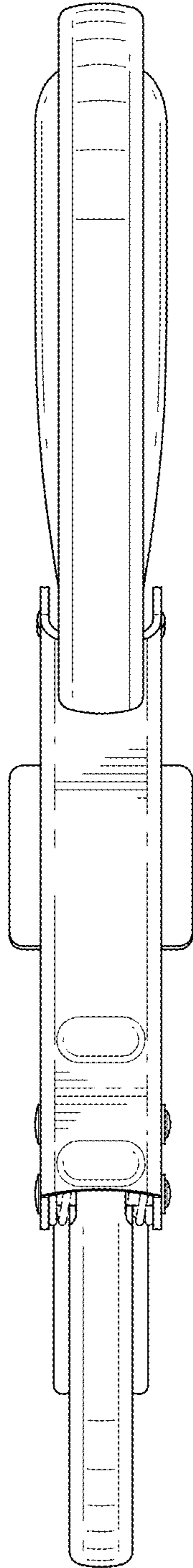


FIG. 5

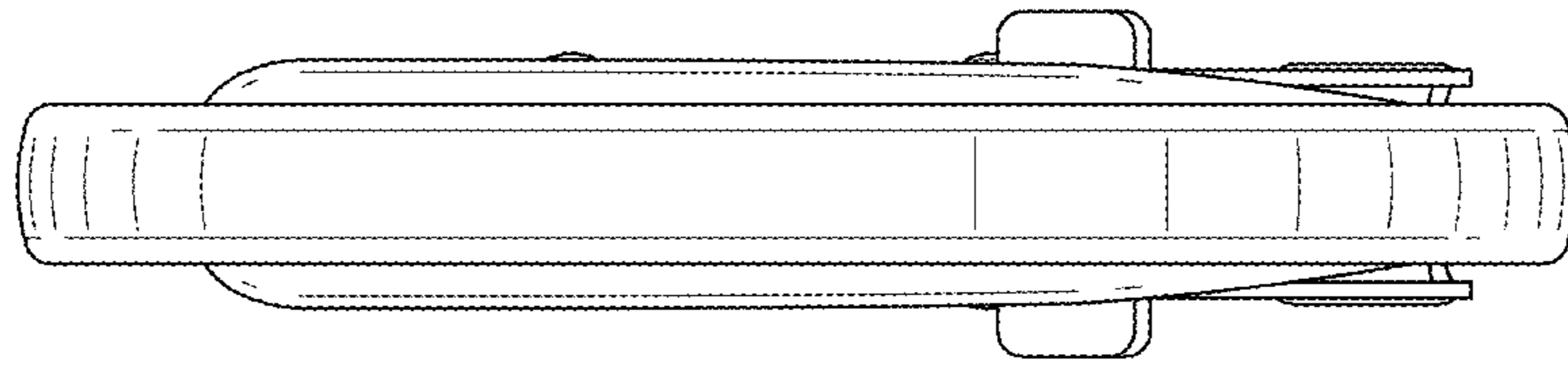


FIG. 6

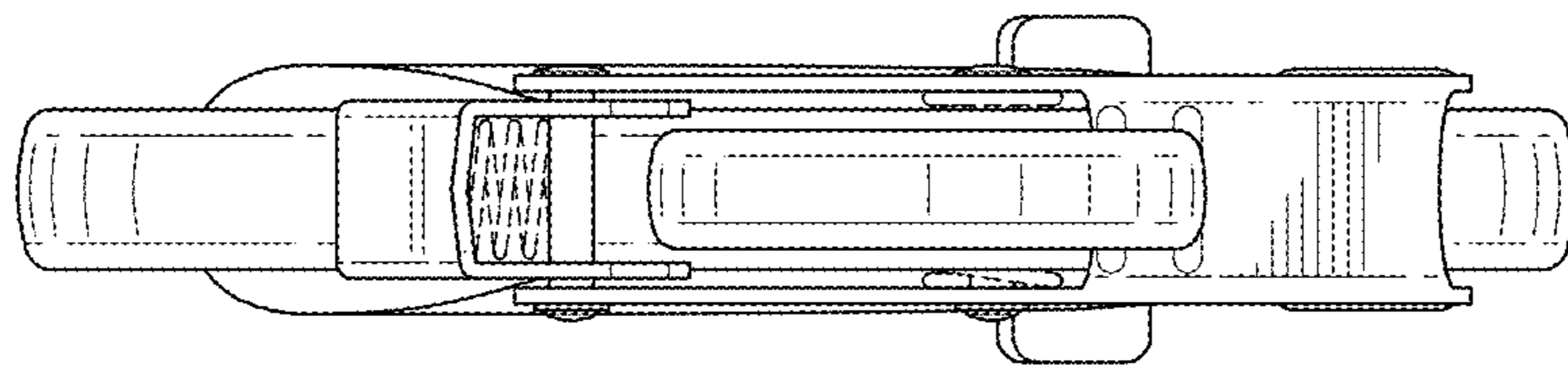


FIG. 7