



US00D765495S

(12) **United States Design Patent**
Schmid

(10) **Patent No.:** **US D765,495 S**

(45) **Date of Patent:** **** Sep. 6, 2016**

(54) **SKATEBOARD CARABINER TOOL**
(71) Applicant: **Mark Schmid**, San Diego, CA (US)
(72) Inventor: **Mark Schmid**, San Diego, CA (US)

D709,344 S * 7/2014 Adelman D3/208
D733,516 S * 7/2015 Kelleghan D8/105
D739,713 S * 9/2015 Kelleghan D8/356
D750,822 S * 3/2016 Hernandez D26/38
D758,307 S * 6/2016 Stump D13/108
2014/0059782 A1* 3/2014 Duncan B25F 1/04
7/138

(**) Term: **15 Years**

* cited by examiner

(21) Appl. No.: **29/540,571**

Primary Examiner — Cynthia Underwood

(22) Filed: **Sep. 25, 2015**

(74) *Attorney, Agent, or Firm* — Procopio, Cory,
Hargreaves & Savitch LLP

(51) **LOC (10) Cl.** **08-05**

(52) **U.S. Cl.**
USPC **D8/356**

(57) **CLAIM**

The ornamental design for a skateboard carabiner tool, as shown and described.

(58) **Field of Classification Search**
USPC D32/361; D9/434; D24/143; 24/129 R,
24/18, 130, 289, 297, 457; 606/203;
D8/354, 356, 382, 394, 367, 349, 381,
D8/396; D12/217; 248/75, 301, 302, 303,
248/304, 339, 205.3, 544; 242/615;
294/209, 24, 2, 210, 211; 403/53, 91
CPC B60T 3/00; H02G 3/045; F16B 2/00;
A63B 27/00; F16G 15/08; B25F 1/04
See application file for complete search history.

DESCRIPTION

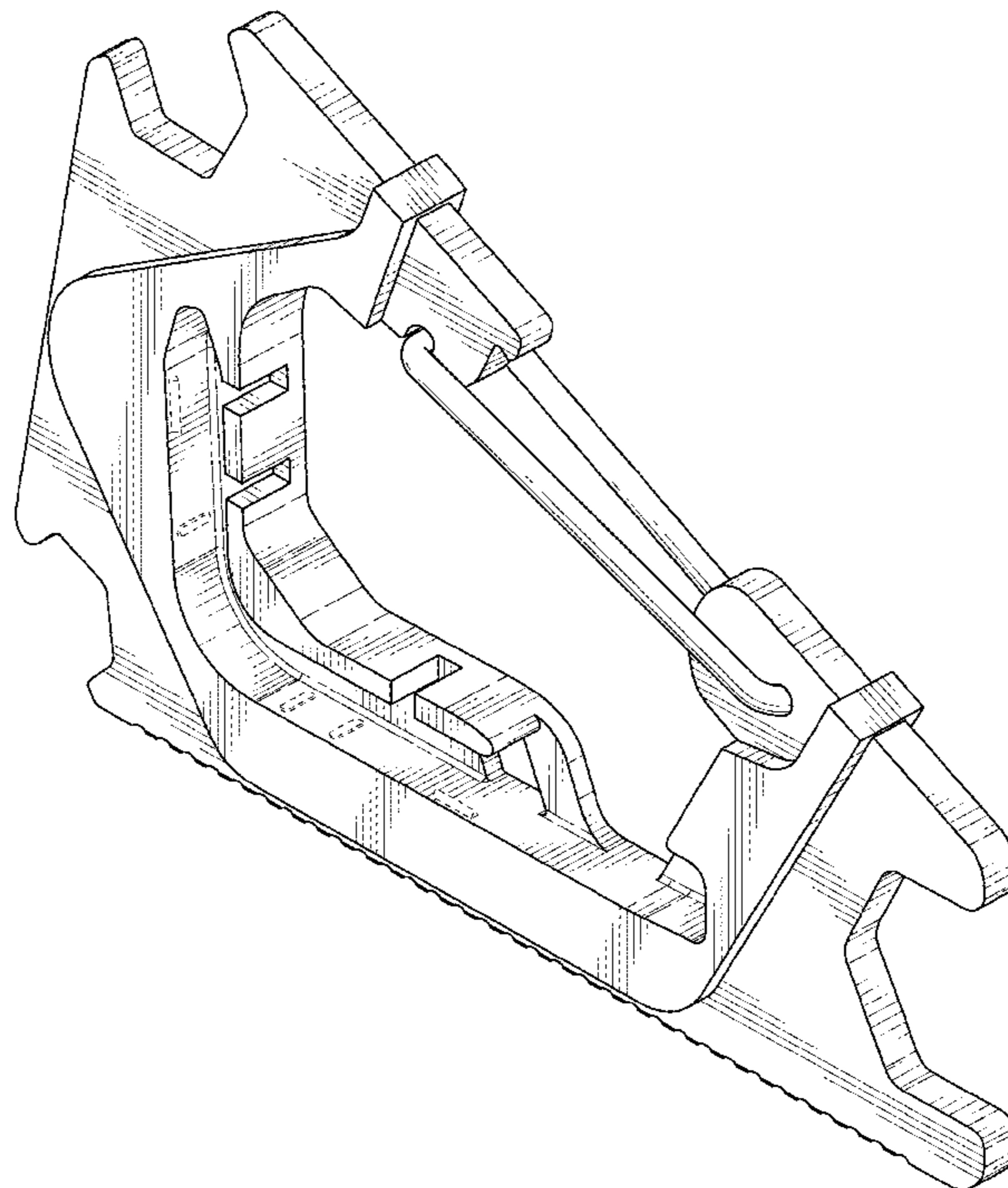
FIG. 1 is a perspective view of a skateboard tool showing my new design with a closed key chain clip connected to the bottle opener;
FIG. 2 is a perspective view of a skateboard tool showing the key chain clip in an open position with the bottle opener exposed;
FIG. 3 is a right plain view thereof showing the insert slot for the Phillips screw driver and Allen wrench tool;
FIG. 4 is a left plain view thereof;
FIG. 5 is a front elevation view thereof;
FIG. 6 is a rear elevation view thereof;
FIG. 7 is a top elevation view thereof; and,
FIG. 8 is a bottom elevation view thereof looking down on the graphite file.

(56) **References Cited**

U.S. PATENT DOCUMENTS

D444,685 S * 7/2001 Shenkel D3/208
D513,579 S * 1/2006 Barber D8/105
D588,885 S * 3/2009 Barber D8/105
D632,546 S * 2/2011 Schmid D8/356
D702,110 S * 4/2014 Gobbi D8/356

1 Claim, 6 Drawing Sheets



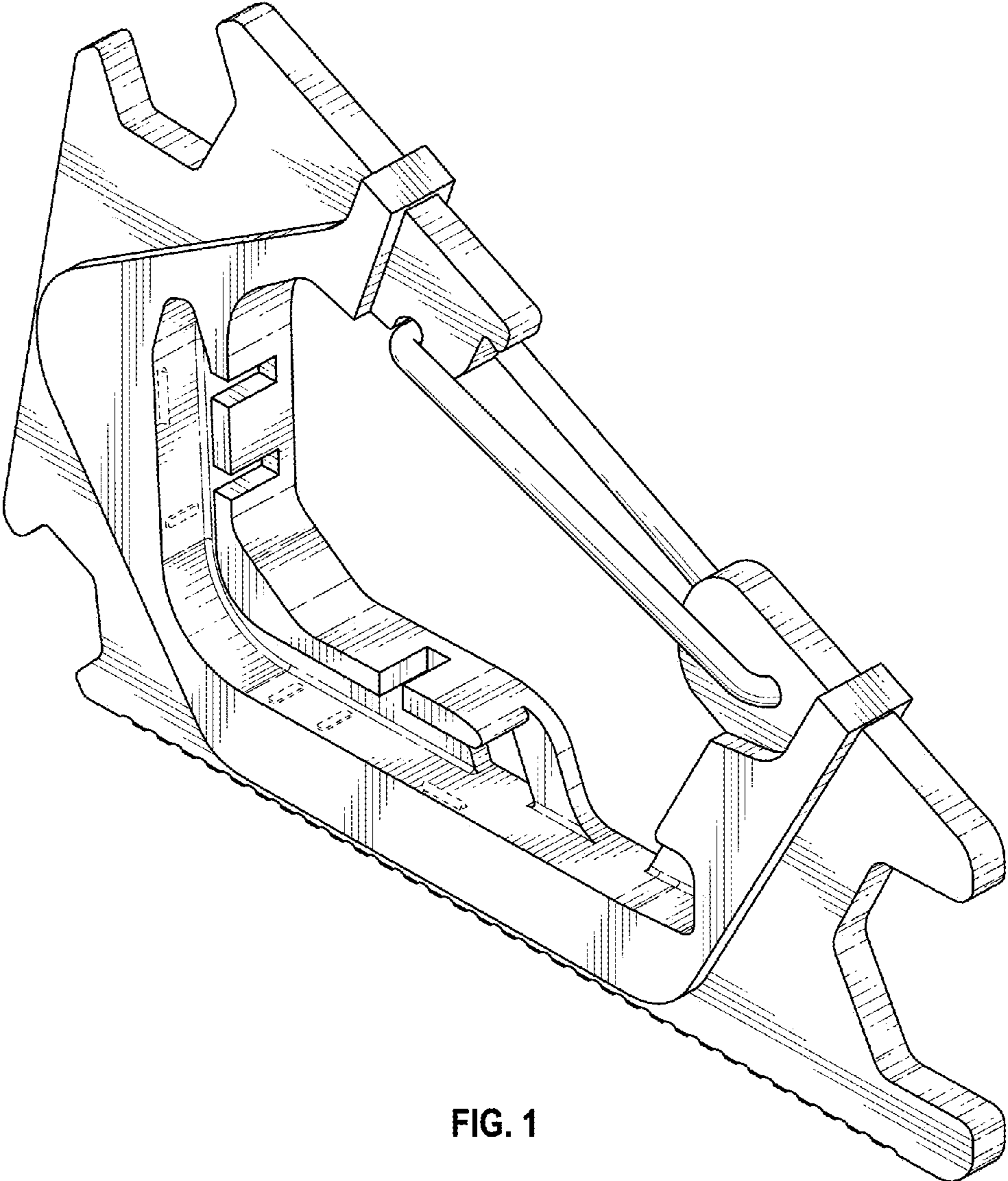


FIG. 1

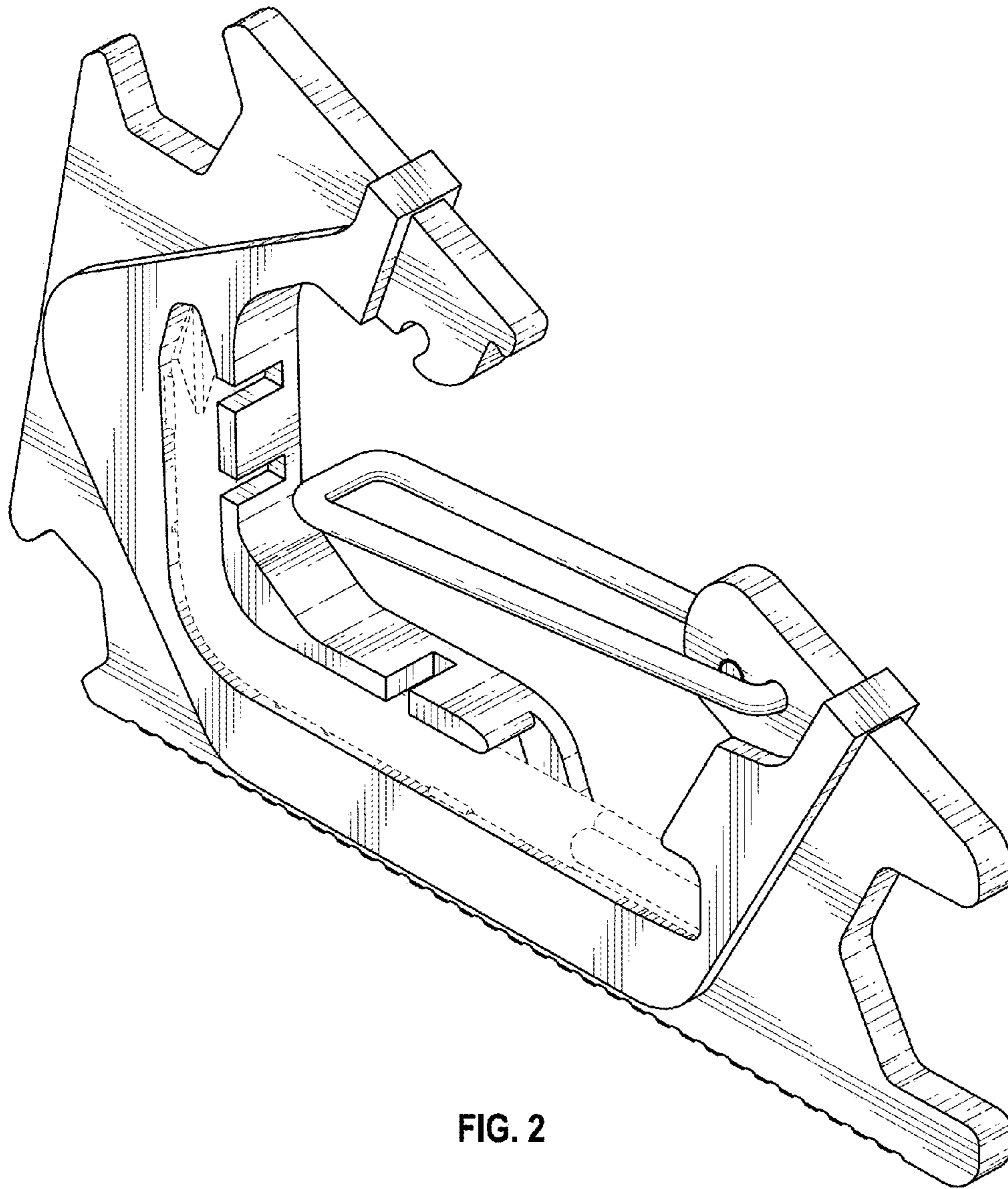


FIG. 2

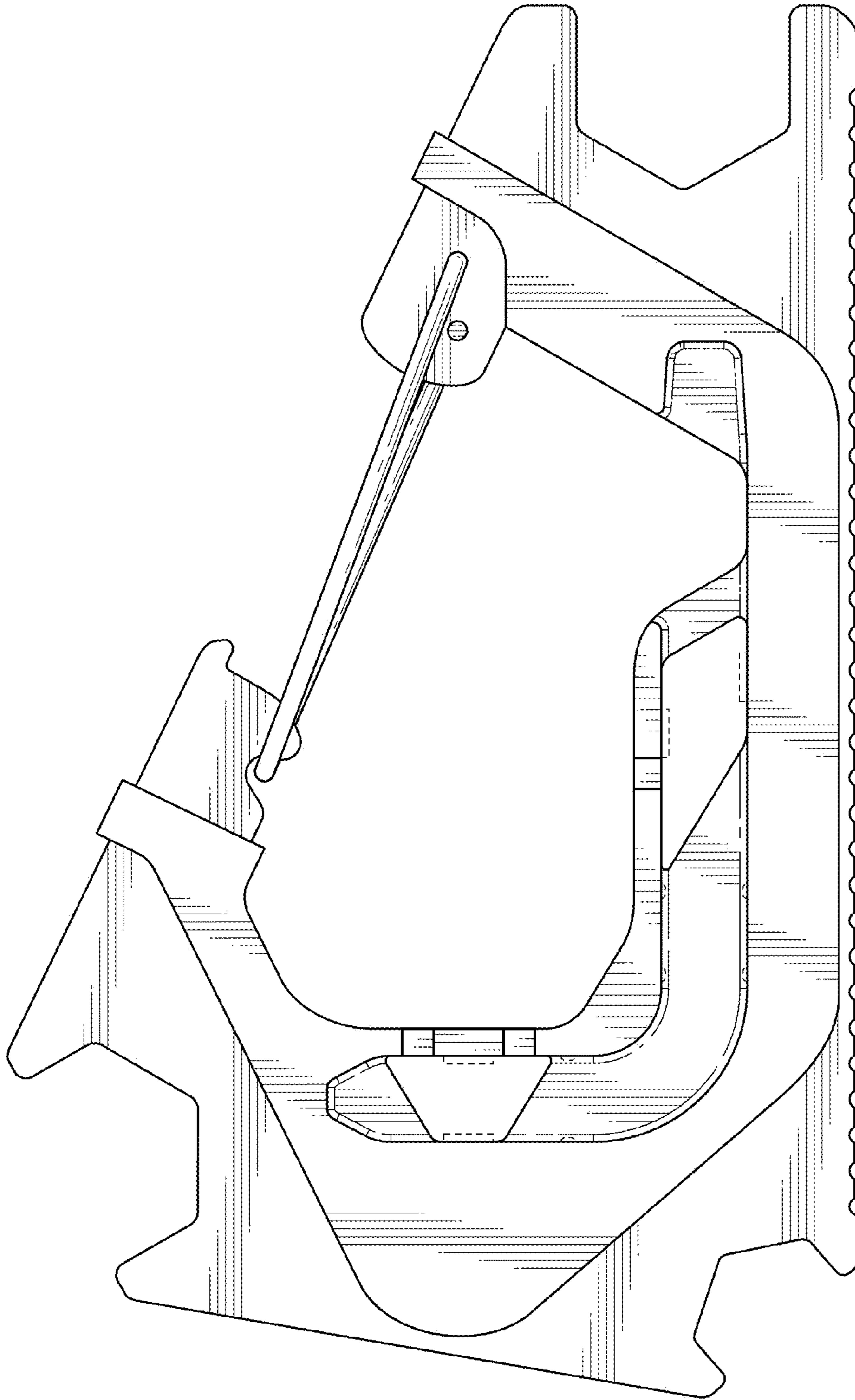


FIG. 3

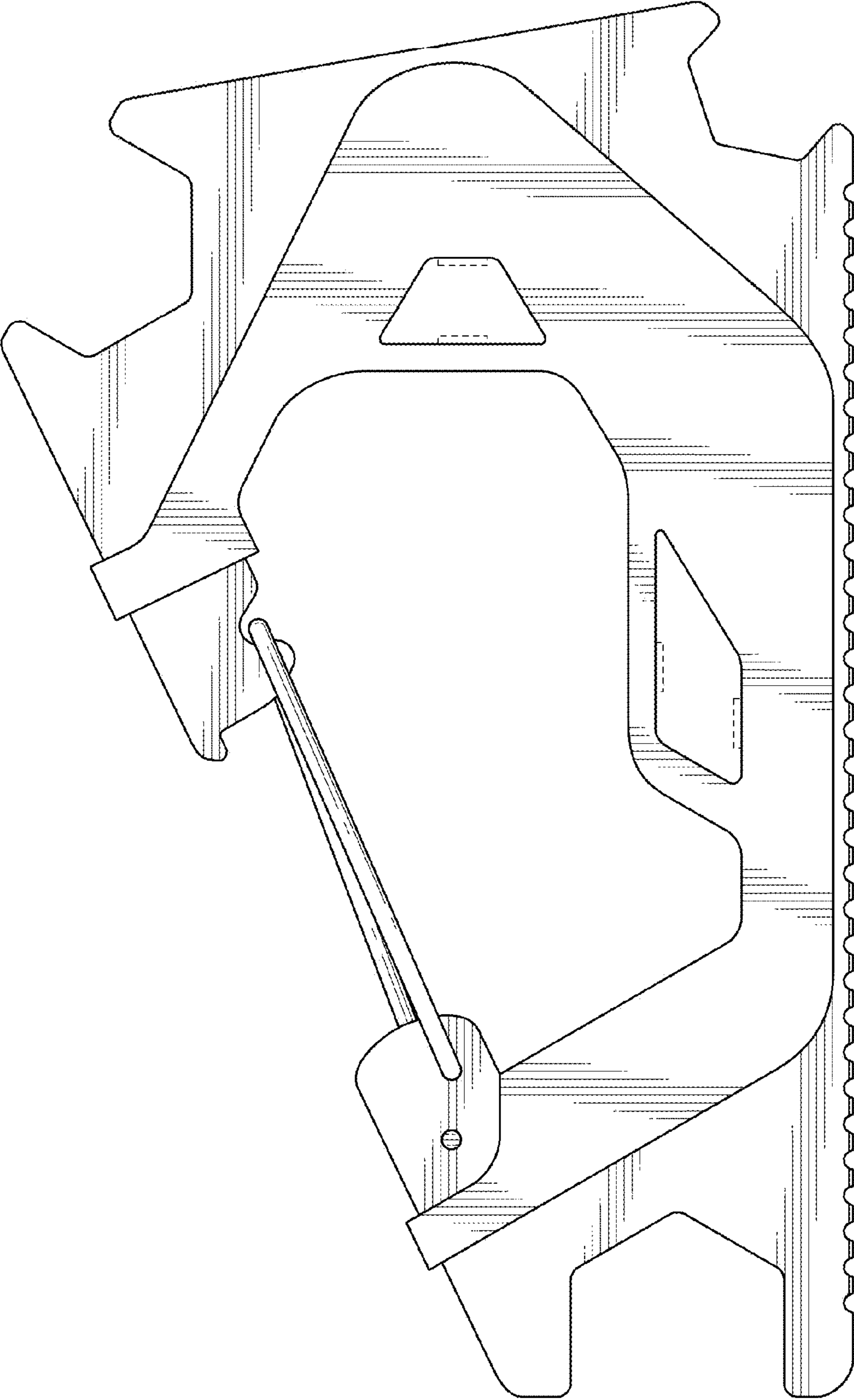


FIG. 4

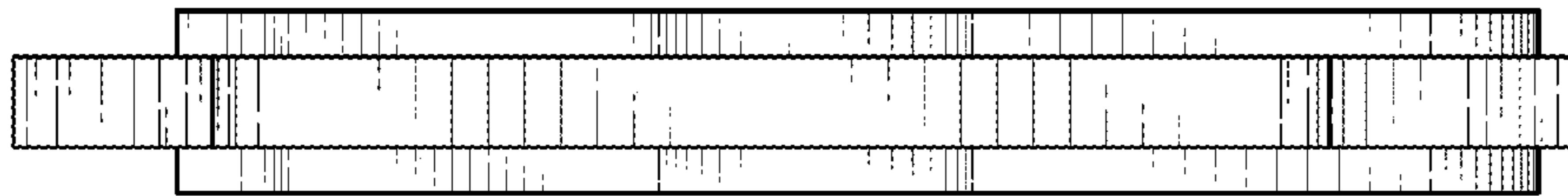


FIG. 6

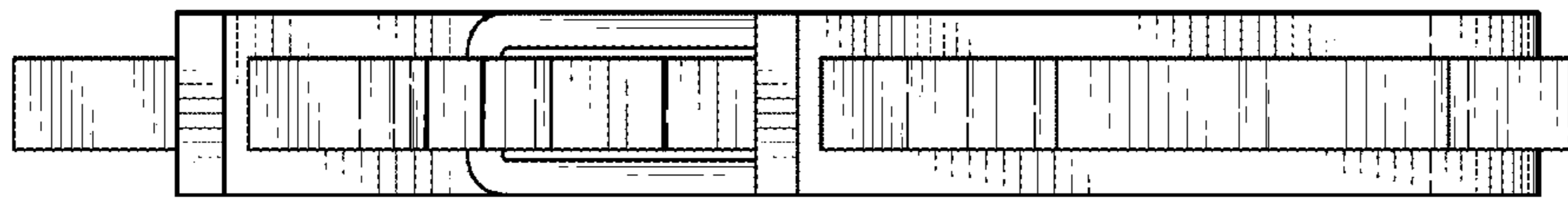


FIG. 5

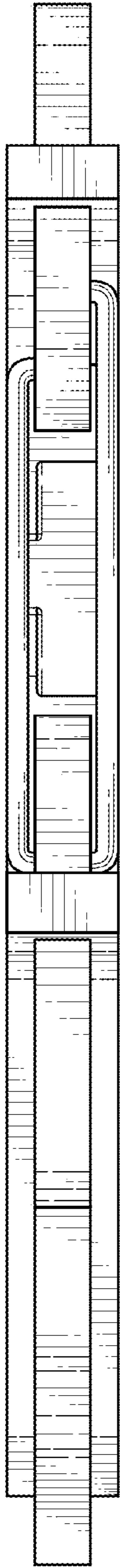


FIG. 7

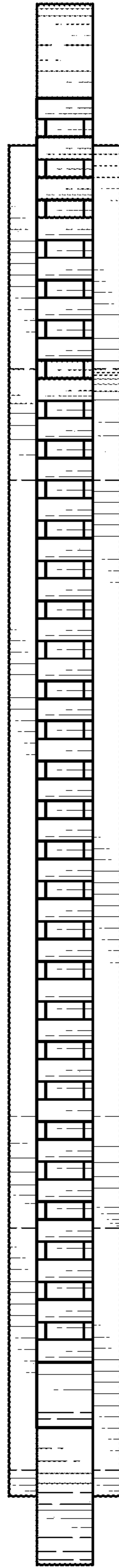


FIG. 8