



US00D765494S

(12) **United States Design Patent** (10) **Patent No.:** **US D765,494 S**  
**Chan** (45) **Date of Patent:** **\*\* Sep. 6, 2016**

(54) **CORD LOCK**  
(71) Applicant: **Duraflex Hong Kong Limited**, Hong Kong (HK)  
(72) Inventor: **Yick Fai Chan**, Hong Kong (HK)  
(73) Assignee: **DURAFLEX HONG KONG LIMITED**, Hong Kong (HK)  
(\*\*) Term: **15 Years**  
(21) Appl. No.: **29/533,152**  
(22) Filed: **Jul. 15, 2015**

(30) **Foreign Application Priority Data**

Jan. 16, 2015 (CN) ..... 2015 3 0013743  
(51) **LOC (10) Cl.** ..... **08-05**  
(52) **U.S. Cl.**  
USPC ..... **D8/356**  
(58) **Field of Classification Search**  
USPC ..... D32/361; D9/434; D24/143; 24/129 R,  
24/18, 130; 606/203; D8/354, 356;  
D12/217; 248/75; 242/615  
CPC ..... B60T 3/00; H02G 3/045  
See application file for complete search history.

(56) **References Cited**

U.S. PATENT DOCUMENTS

D408,269 S \* 4/1999 Ross ..... D8/356  
D470,034 S \* 2/2003 Wu ..... D8/356  
D477,770 S \* 7/2003 Baker ..... D8/373  
D488,704 S \* 4/2004 Mercier ..... D8/354  
D497,305 S \* 10/2004 Perri ..... D8/356  
D512,904 S \* 12/2005 Thaler ..... D8/356

D576,406 S \* 9/2008 Chan ..... D3/318  
D606,323 S \* 12/2009 Heroux ..... D6/323  
D625,986 S \* 10/2010 Kolasa ..... D8/356  
D629,671 S \* 12/2010 Ohori ..... D8/356  
D646,557 S \* 10/2011 Chan ..... D8/367  
D661,570 S \* 6/2012 Fox ..... D8/356  
D672,223 S \* 12/2012 Thompson ..... D8/356  
D691,878 S \* 10/2013 Ganski ..... D8/356  
D697,784 S \* 1/2014 Lavelle ..... D8/356  
D709,355 S \* 7/2014 Berger ..... D8/356  
D733,534 S \* 7/2015 Altrichter ..... D8/356  
D739,712 S \* 9/2015 Wadey ..... D8/356  
D755,039 S \* 5/2016 Jansson ..... D8/356  
2010/0132979 A1 \* 6/2010 Chen ..... H02G 3/32  
174/135

\* cited by examiner

*Primary Examiner* — Cynthia Underwood

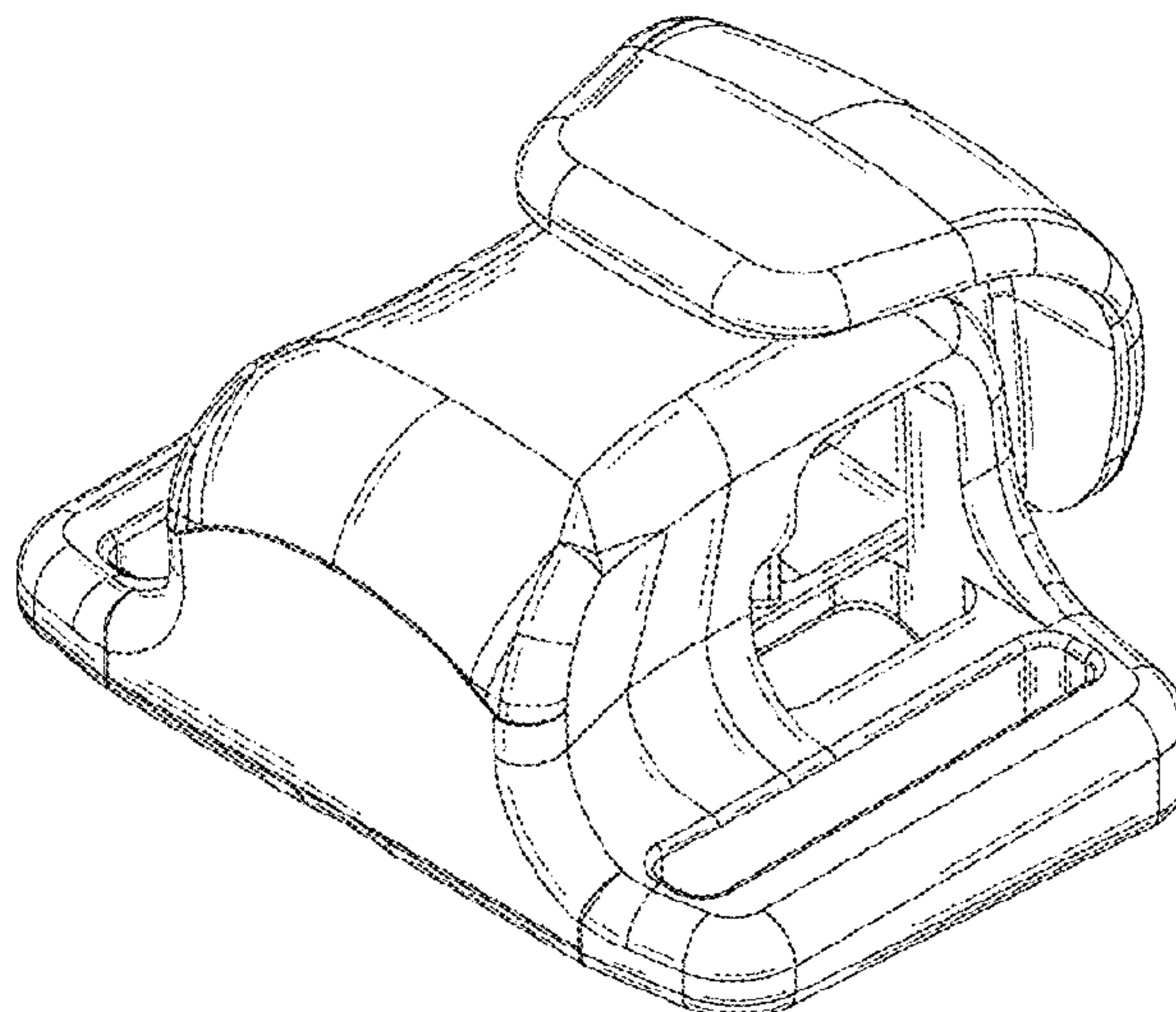
(57) **CLAIM**

The ornamental design for a cord lock, as shown and described.

**DESCRIPTION**

FIG. 1 is a front elevational view of a cord lock showing my new design;  
FIG. 2 is a rear elevational view thereof;  
FIG. 3 is a left side view thereof;  
FIG. 4 is a right side view thereof;  
FIG. 5 is a top plan view thereof;  
FIG. 6 is a bottom plan view thereof;  
FIG. 7 is a first perspective view thereof;  
FIG. 8 is a second perspective view thereof;  
FIG. 9 is a third perspective view thereof;  
FIG. 10 is a fourth perspective view thereof;  
FIG. 11 is a fifth perspective view thereof; and,  
FIG. 12 is a sixth perspective view thereof.

**1 Claim, 12 Drawing Sheets**



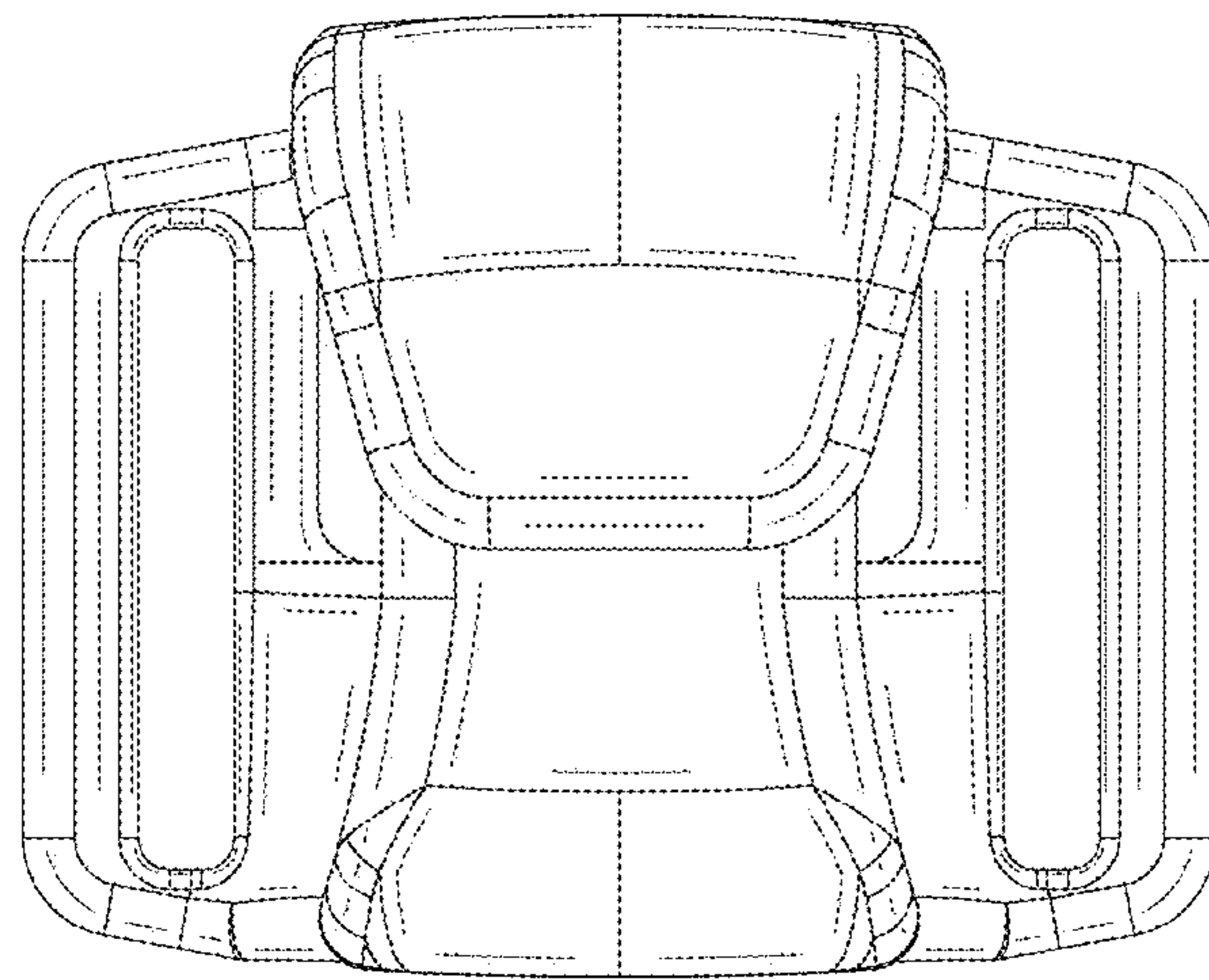


Fig. 1

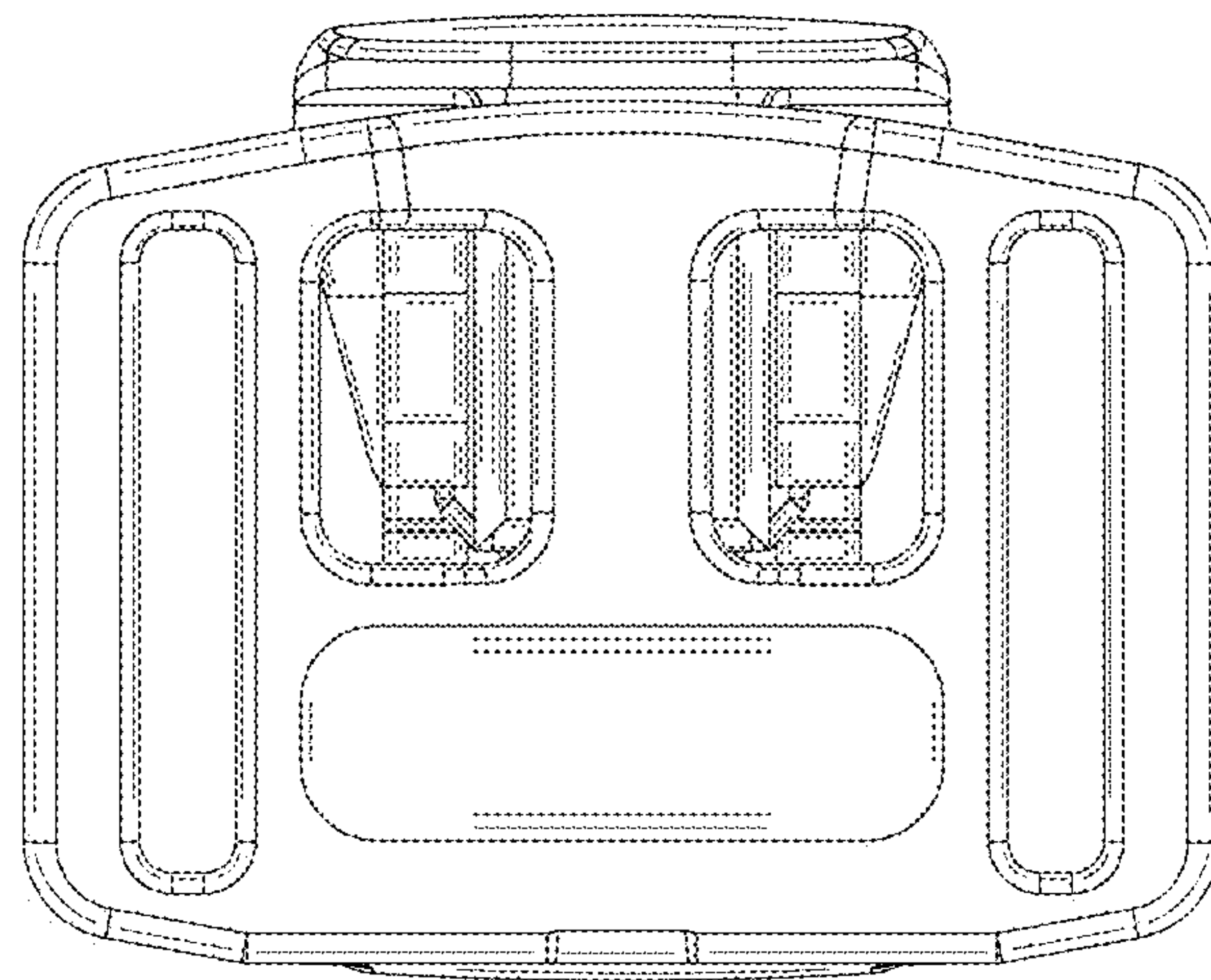


Fig. 2

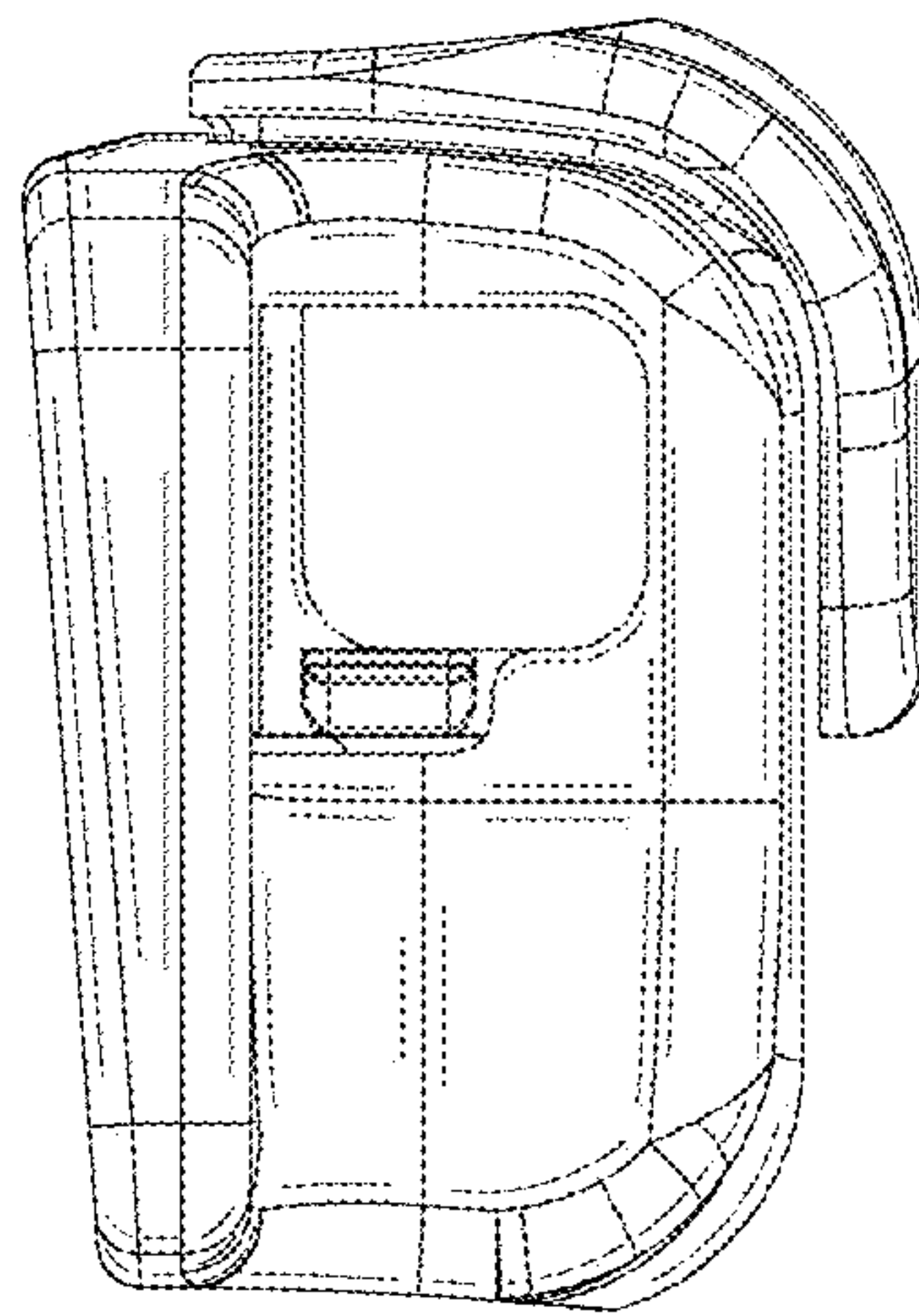


Fig. 3

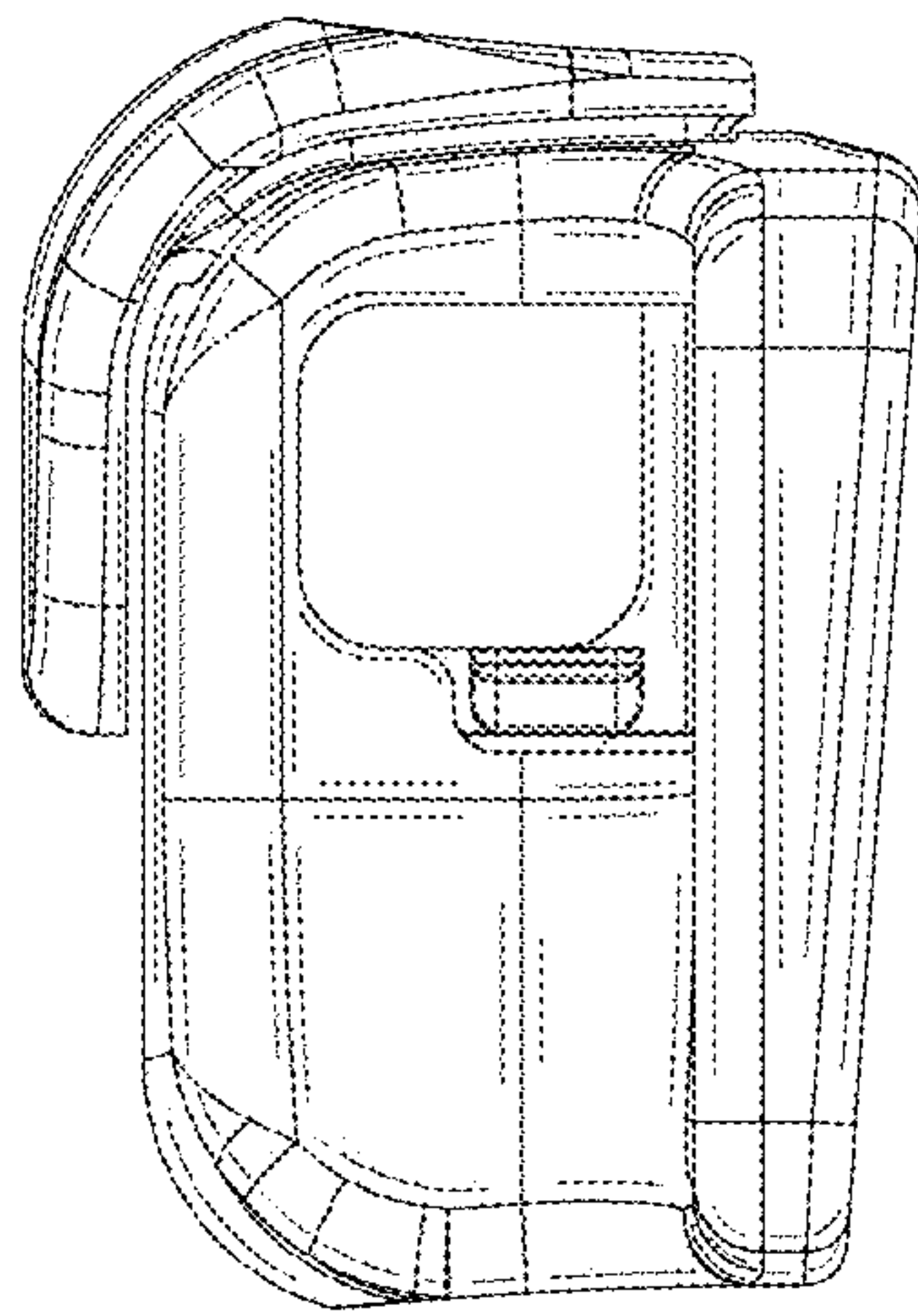


Fig. 4

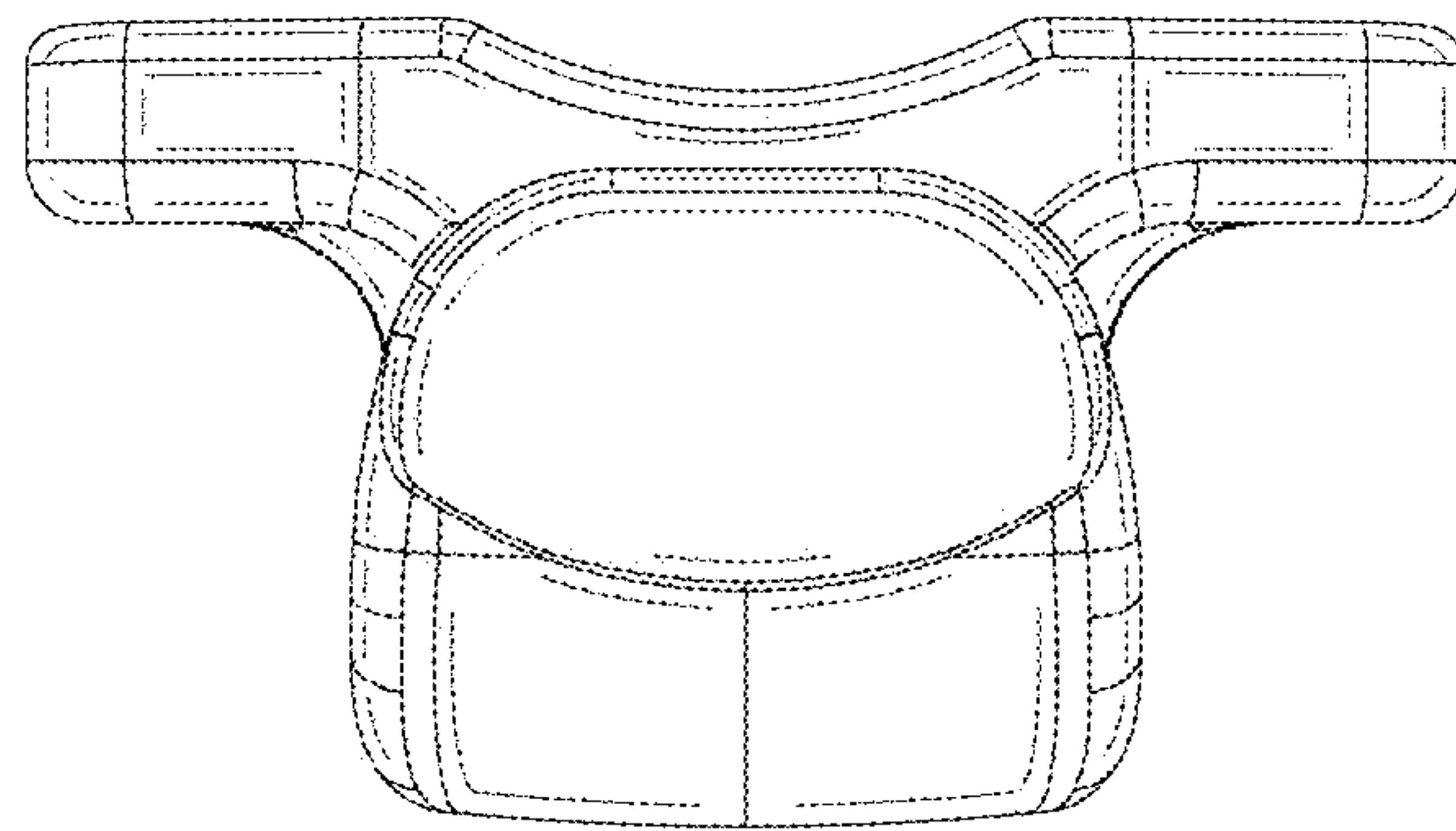


Fig. 5



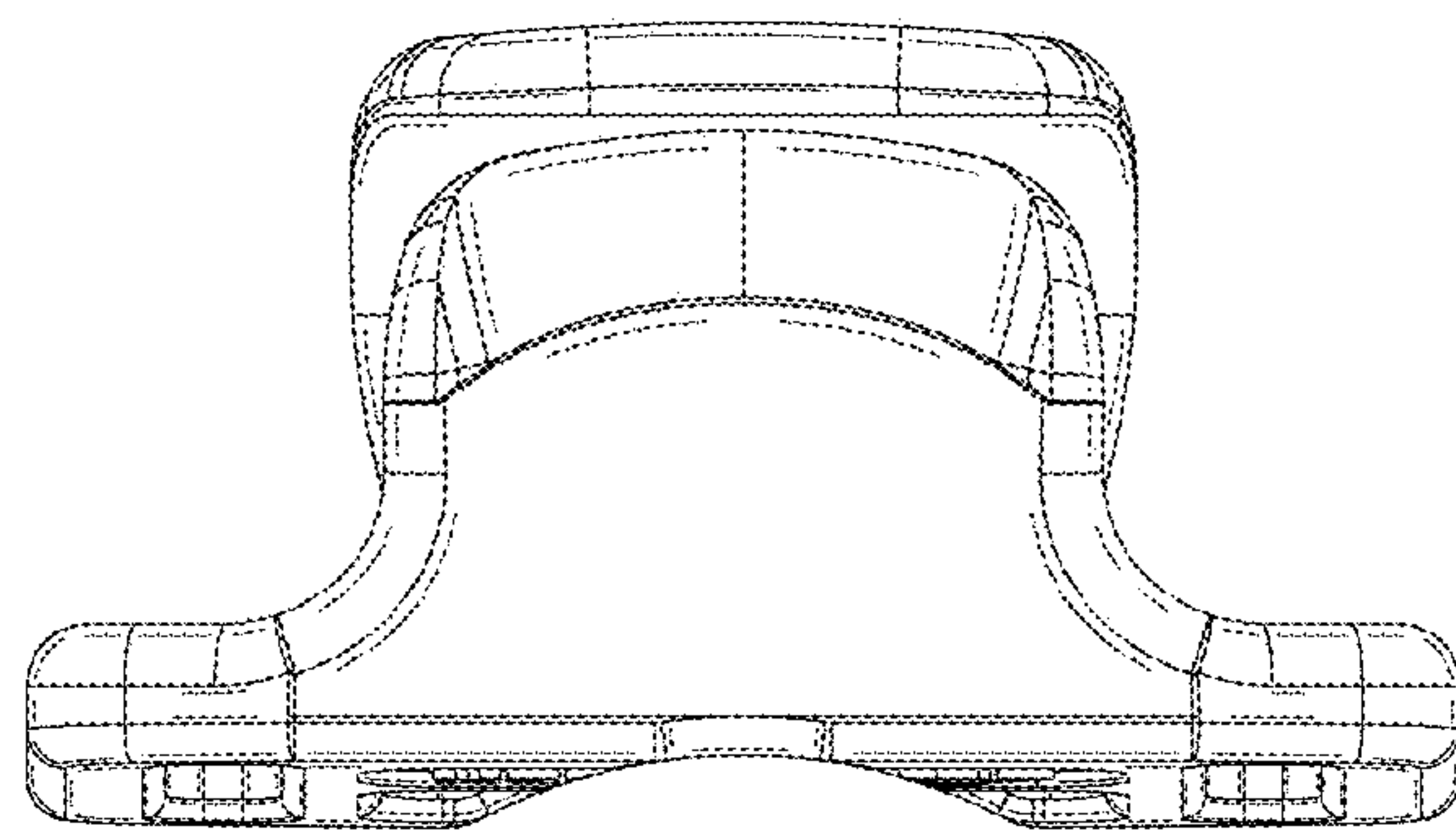


Fig. 6

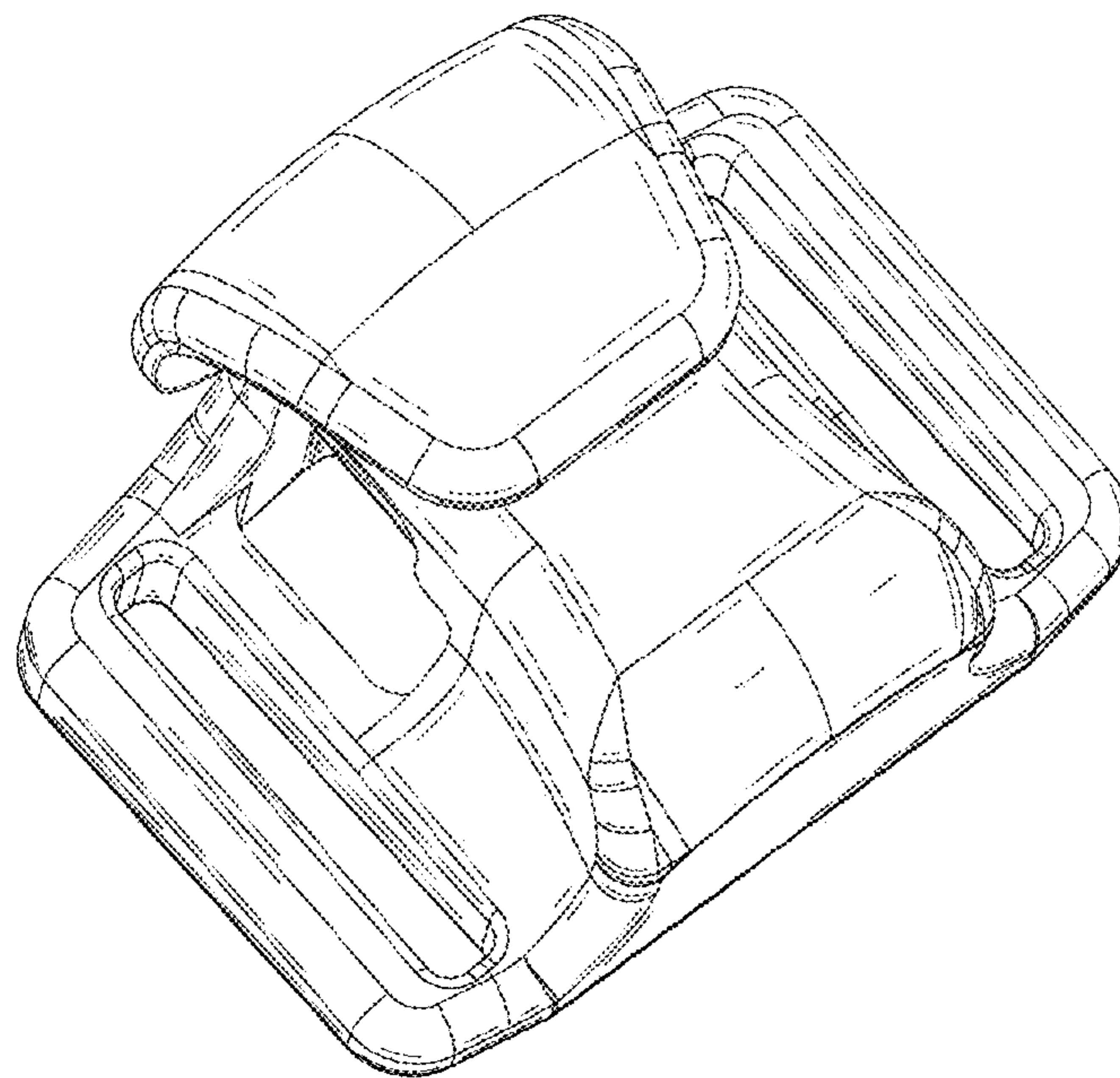


Fig. 7



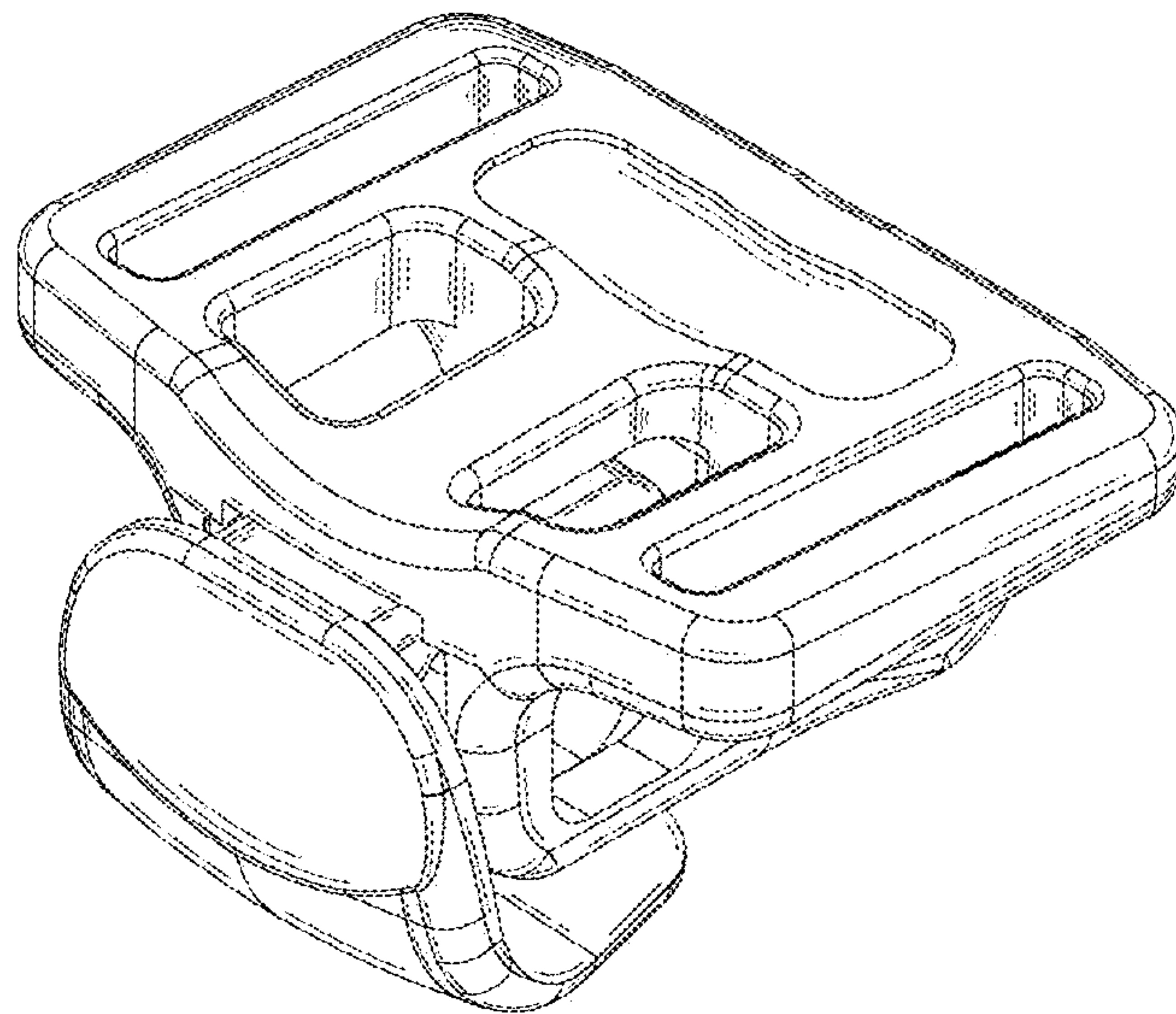


Fig. 8

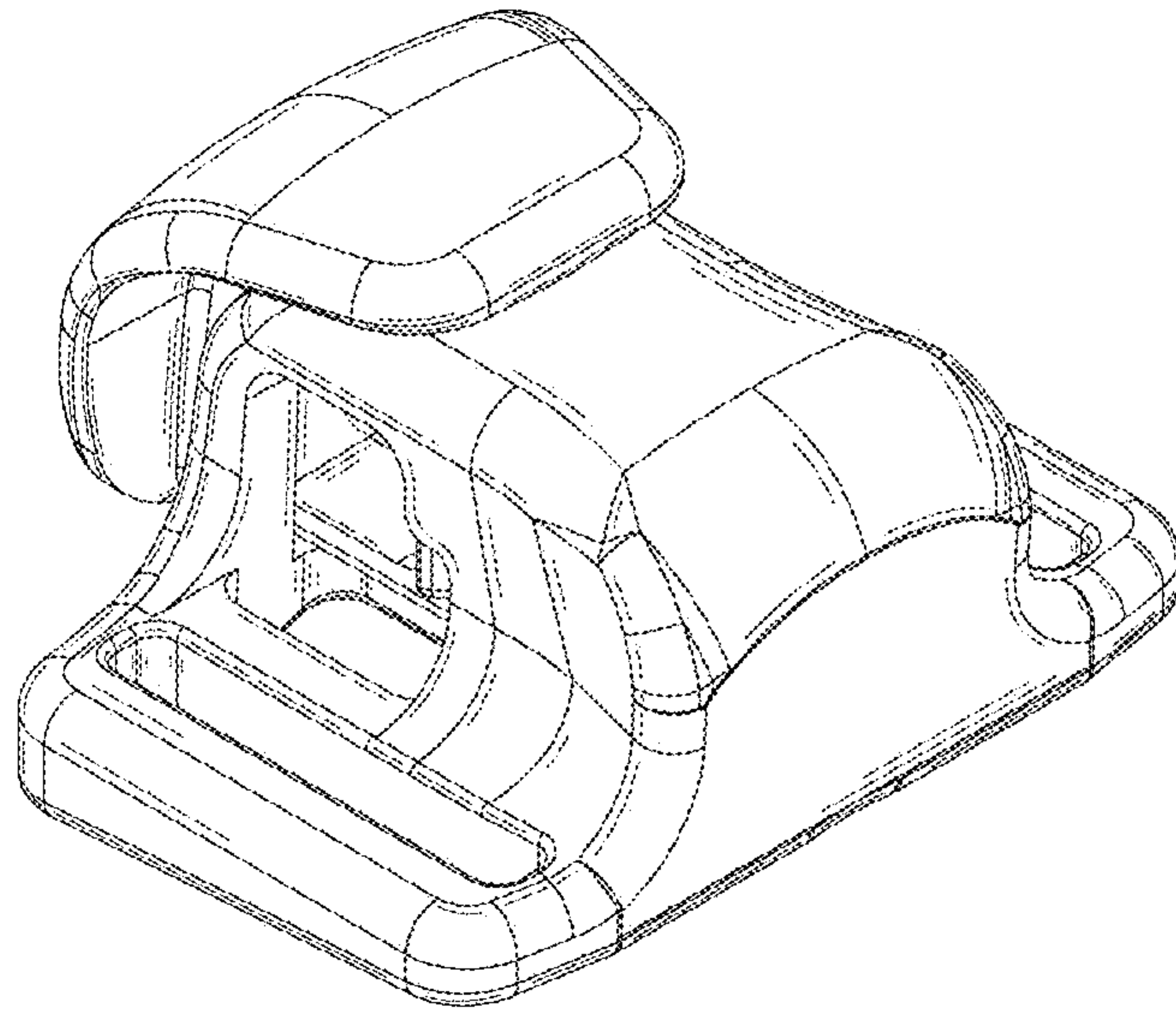


Fig. 9

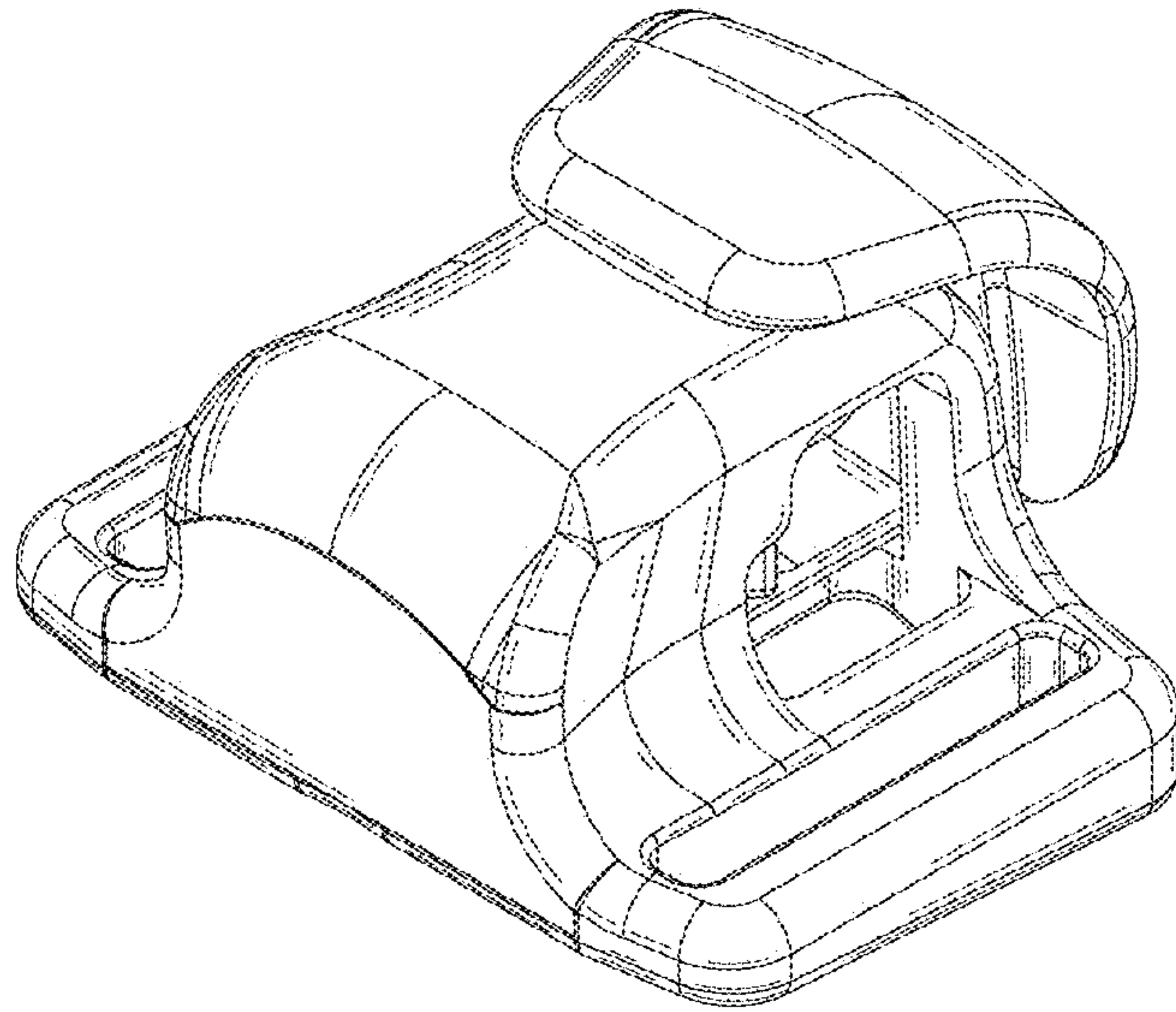


Fig. 10

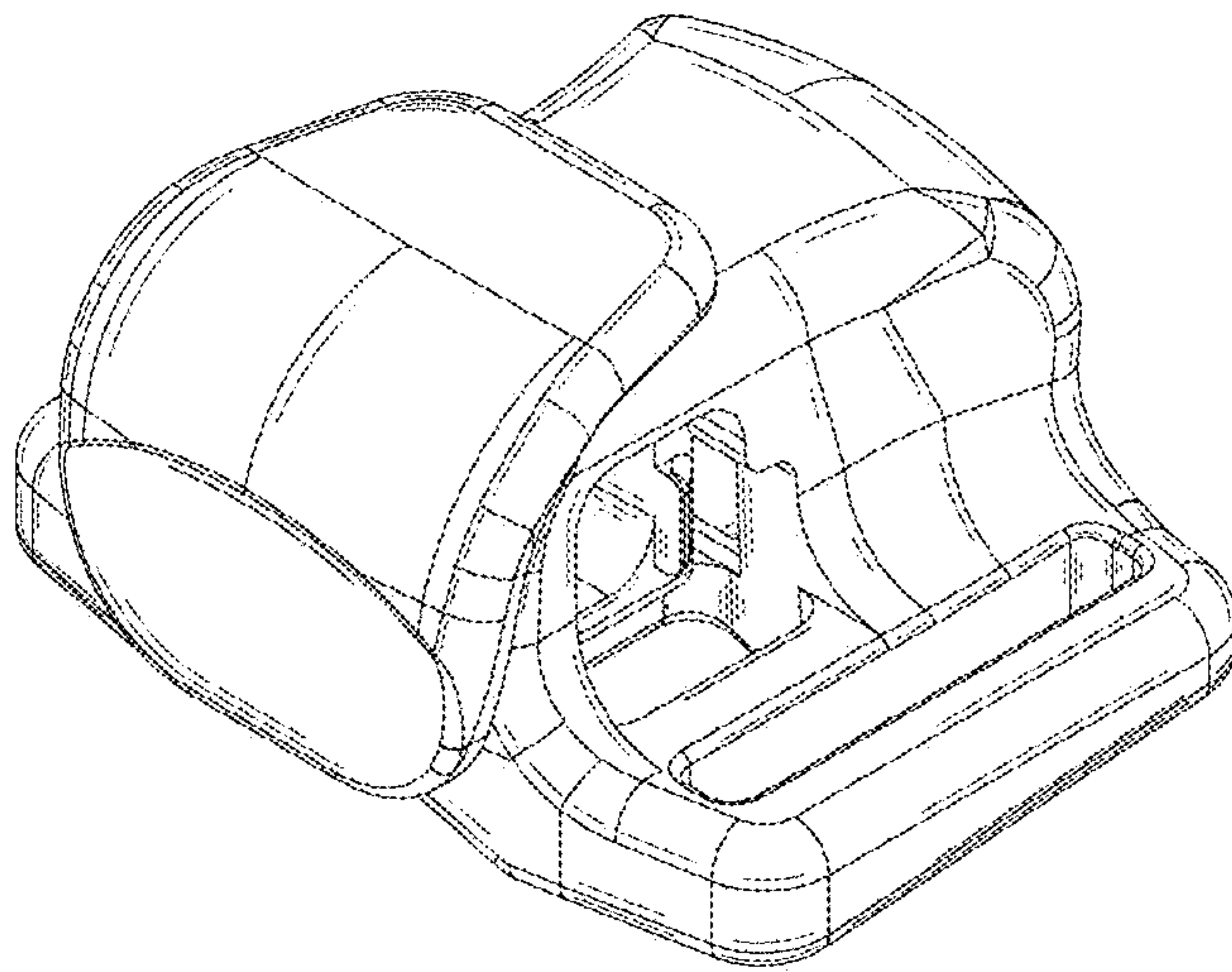


Fig. 11

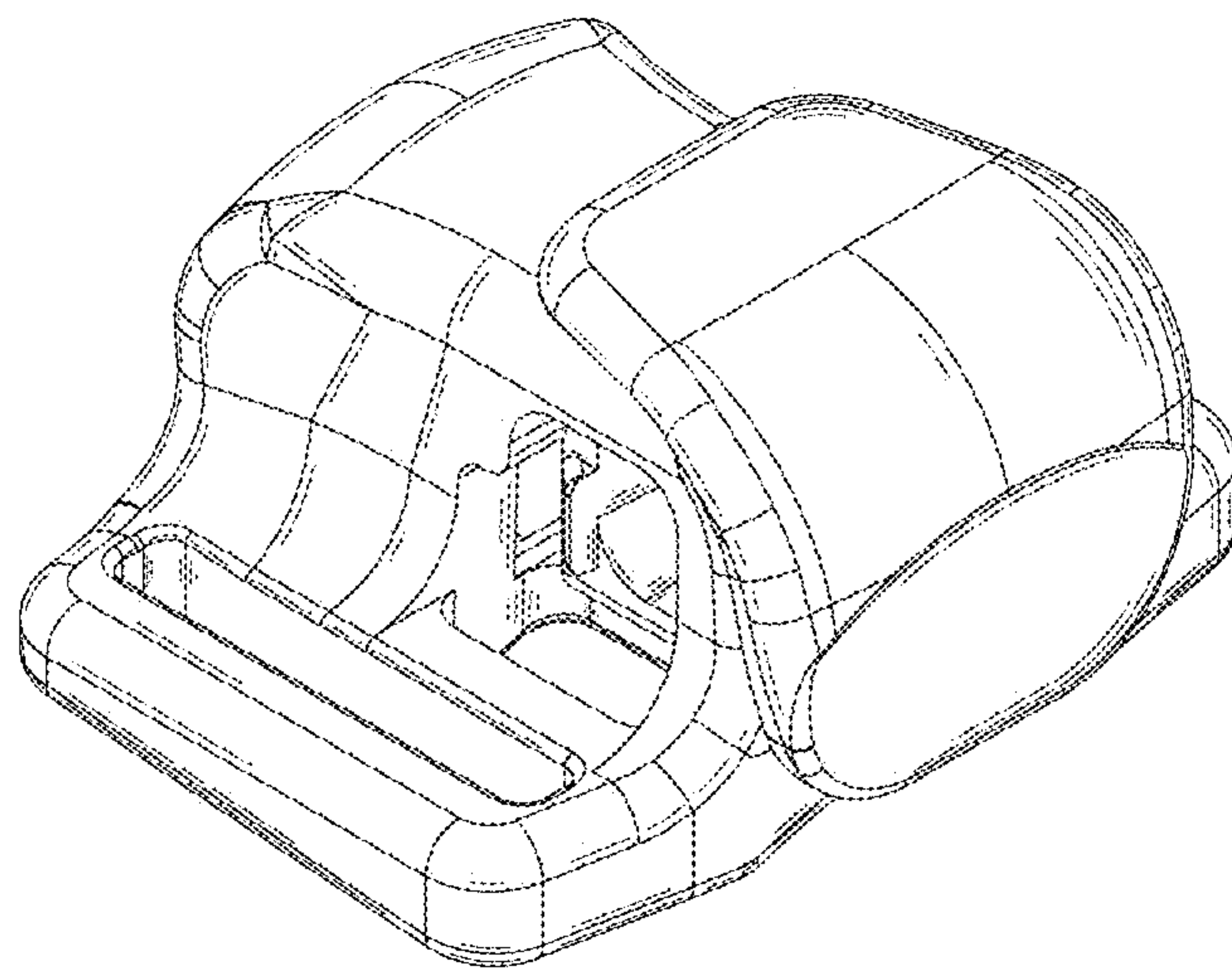


Fig. 12