



US00D765492S

(12) **United States Design Patent** (10) **Patent No.:** **US D765,492 S**
Akers (45) **Date of Patent:** **** Sep. 6, 2016**

(54) **ROOF EQUIPMENT MOUNTING BRACKETS**

(71) Applicant: **David Akers**, Shreveport, LA (US)

(72) Inventor: **David Akers**, Shreveport, LA (US)

(**) Term: **14 Years**

(21) Appl. No.: **29/515,078**

(22) Filed: **Jan. 20, 2015**

(51) **LOC (10) Cl.** **08-05**

(52) **U.S. Cl.**
USPC **D8/354**

(58) **Field of Classification Search**
USPC D8/339, 350-354, 371, 373, 404, 499
CPC F24F 13/32; F24F 13/20; F24F 1/60;
F24F 2221/16; Y10T 29/53; F25B 2339/041
See application file for complete search history.

(56) **References Cited**

U.S. PATENT DOCUMENTS

3,521,414 A	7/1970	Malissa	
4,413,450 A	11/1983	Brower	
D306,574 S *	3/1990	Schultz	D13/103
4,917,345 A	4/1990	Czech	
5,228,248 A	7/1993	Haddock	
5,456,533 A	10/1995	Streiff et al.	
5,896,711 A	4/1999	McClure	
5,983,588 A	11/1999	Haddock	
6,151,838 A	11/2000	Husein	
6,164,033 A	12/2000	Haddock	
6,434,813 B1	8/2002	Grabmeier	
D469,400 S *	1/2003	Shor	D13/107
6,718,718 B2	4/2004	Haddock	
D521,486 S *	5/2006	Yokoyama	D13/144
D556,730 S *	12/2007	Yokoyama	D14/155
D589,889 S *	4/2009	Wu	D13/133
7,544,101 B1 *	6/2009	Tseng	H01R 24/58 439/131
D595,684 S *	7/2009	Ganley	D14/155
D608,284 S *	1/2010	Lin	D13/144
D609,183 S *	2/2010	Stiff	D13/144

D610,094 S *	2/2010	Ouimette	D13/144
7,712,279 B2	5/2010	McClure	
D632,652 S *	2/2011	Wikel	D13/144
D677,622 S *	3/2013	Cole	D13/108
D678,206 S *	3/2013	McSweyn	D13/144
8,424,821 B2	4/2013	Liu	
8,650,833 B1	2/2014	Polston	
8,844,216 B2	9/2014	Pendley et al.	
D721,036 S *	1/2015	Kreitzer	D13/133
D721,038 S *	1/2015	Chiu	D13/144
D723,466 S *	3/2015	Wang	D13/110
2006/0070315 A1	4/2006	McClure	

(Continued)

Primary Examiner — Rosemary K Tarcza

Assistant Examiner — Nathaniel D Buckner

(74) *Attorney, Agent, or Firm* — R. Keith Harrison

(57) **CLAIM**

The ornamental design for roof equipment mounting brackets, as shown and described.

DESCRIPTION

FIG. 1 is a front perspective view of the roof equipment mounting brackets;

FIG. 2 is a front view of the roof equipment mounting brackets;

FIG. 3 is a rear view of the roof equipment mounting brackets;

FIG. 4 is a left side view of the roof equipment mounting brackets;

FIG. 5 is a right side view of the roof equipment mounting brackets;

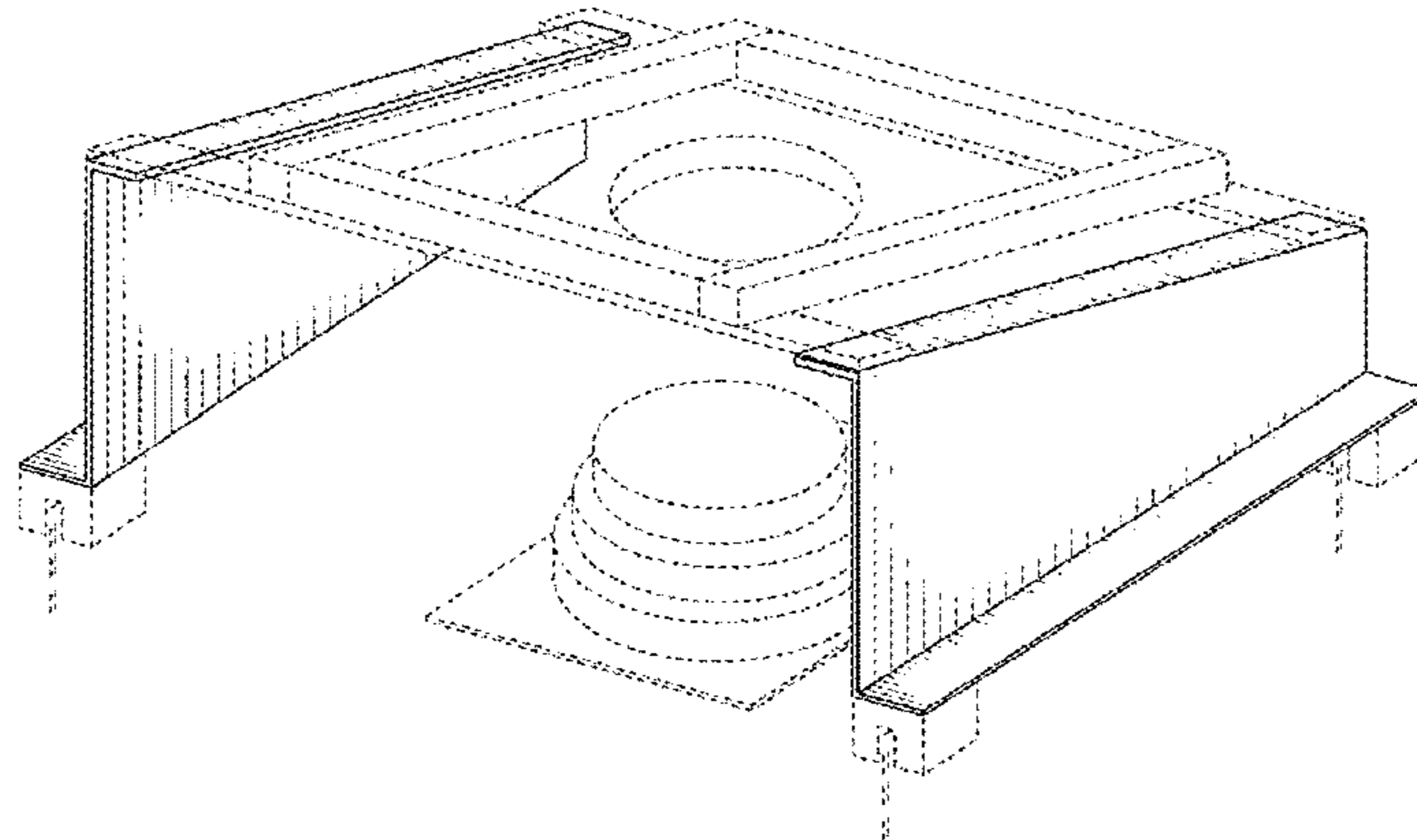
FIG. 6 is a bottom view of the roof equipment mounting brackets;

FIG. 7 is a top view of the roof equipment mounting brackets; and,

FIG. 8 is a front perspective view of the roof equipment mounting brackets shown in an environment of use.

The broken lines in the figures represent environmental structure which form no part of the claim.

1 Claim, 6 Drawing Sheets



US D765,492 S

Page 2

(56)

References Cited

2009/0315513 A1* 12/2009 Mkhitarian H02J 7/0045
320/114

U.S. PATENT DOCUMENTS

2007/0155249 A1* 7/2007 Cheng H01R 13/70
439/668

* cited by examiner

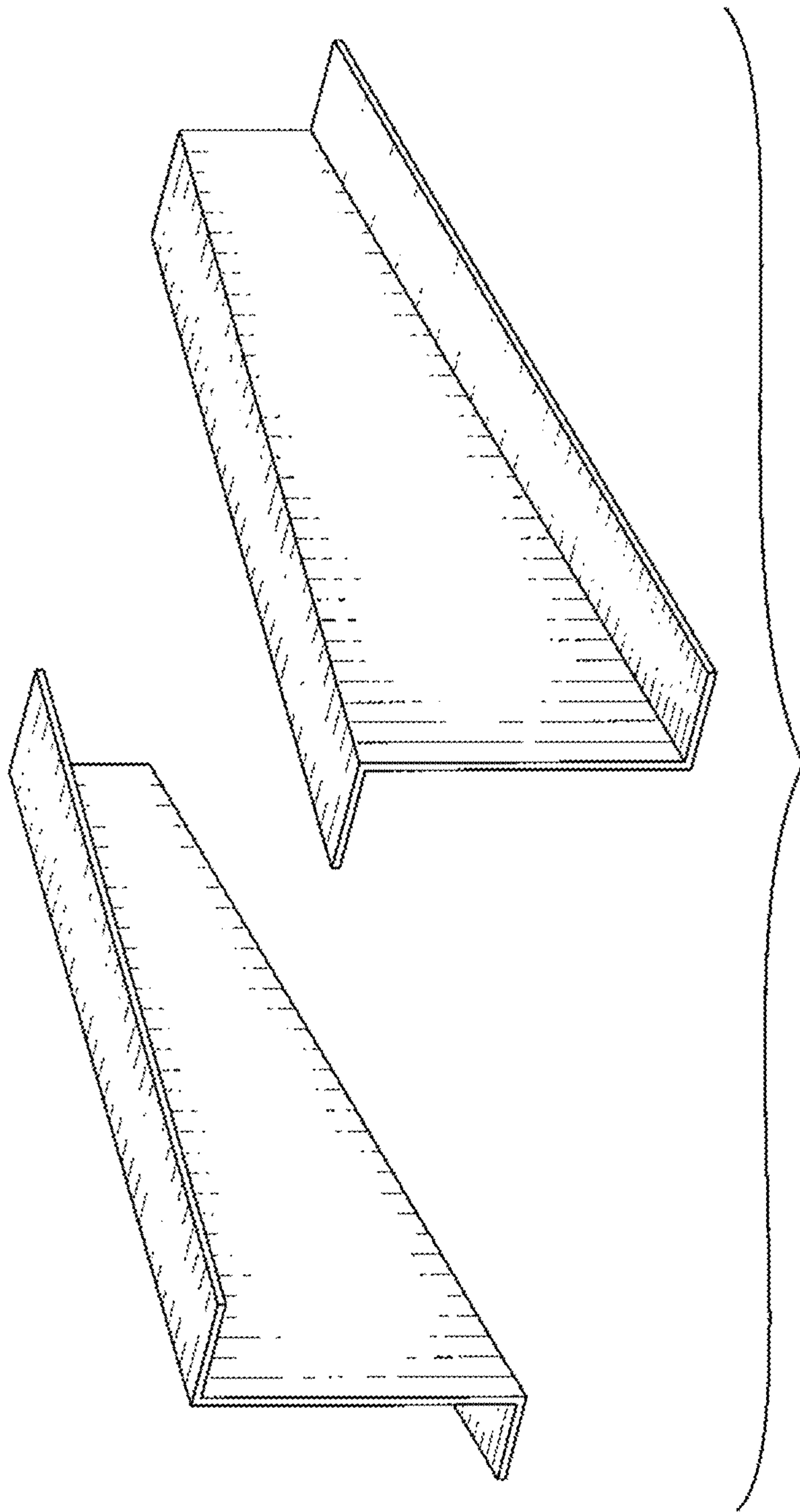


FIG. 1

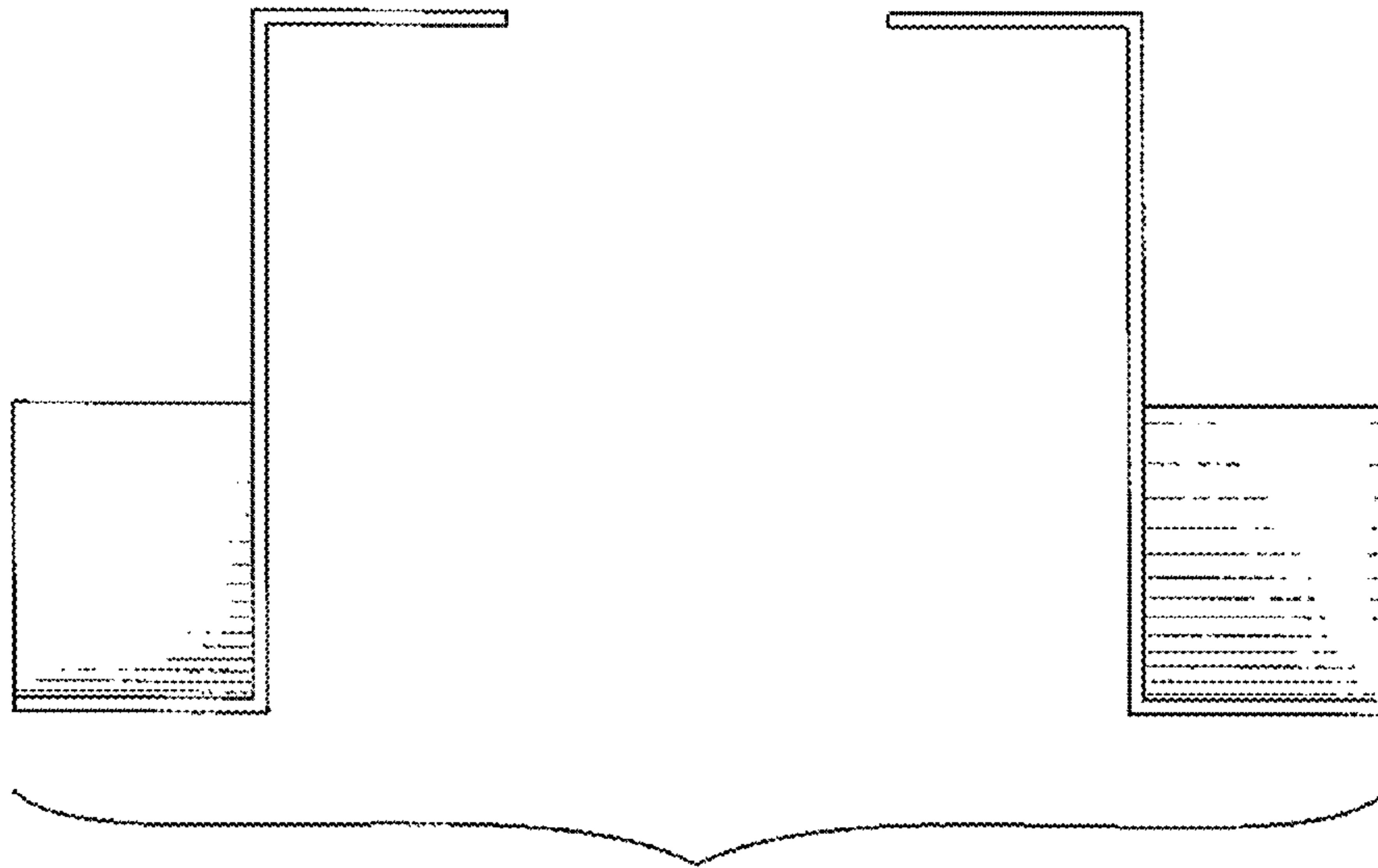


FIG. 2

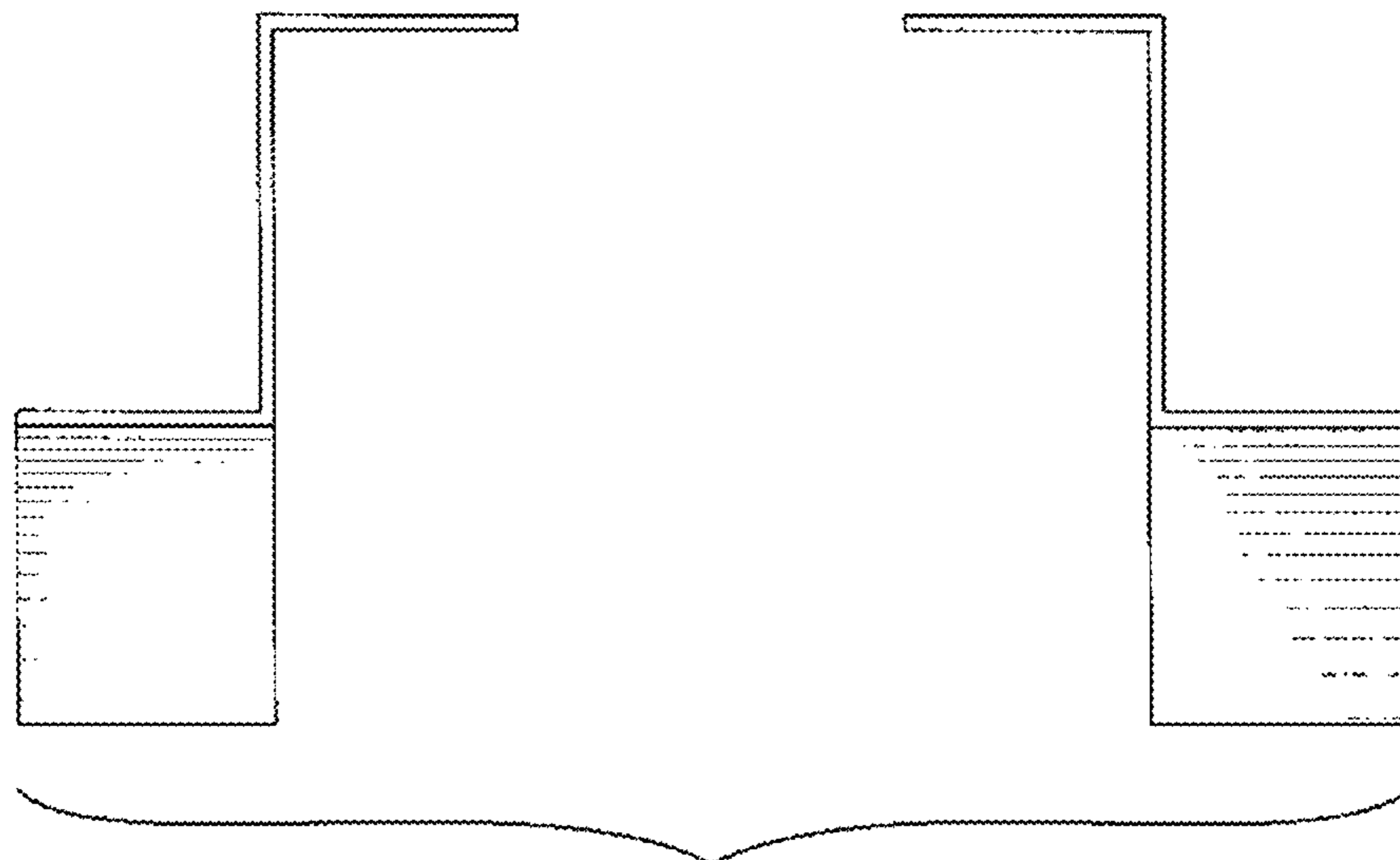


FIG. 3

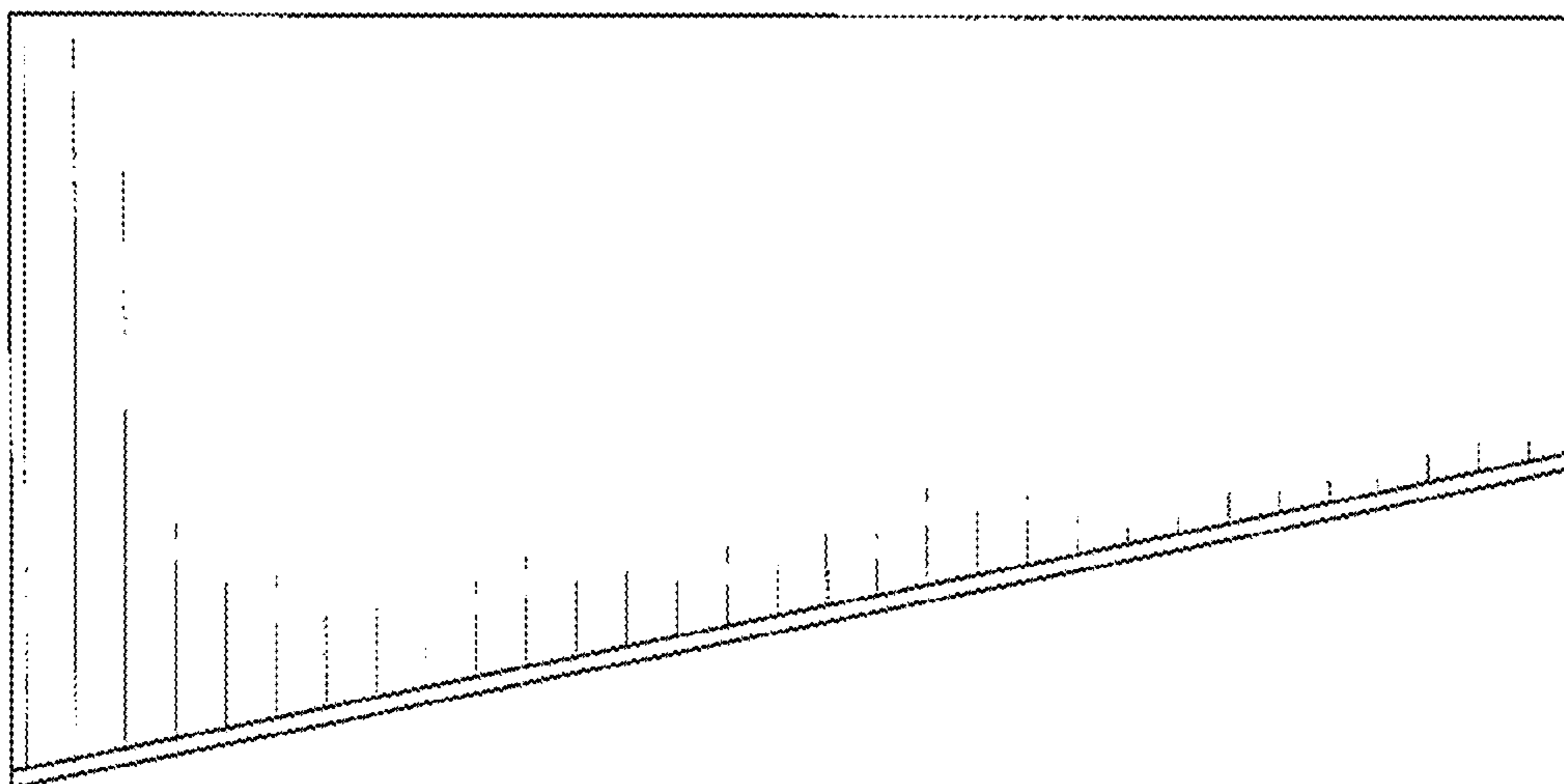


FIG. 4

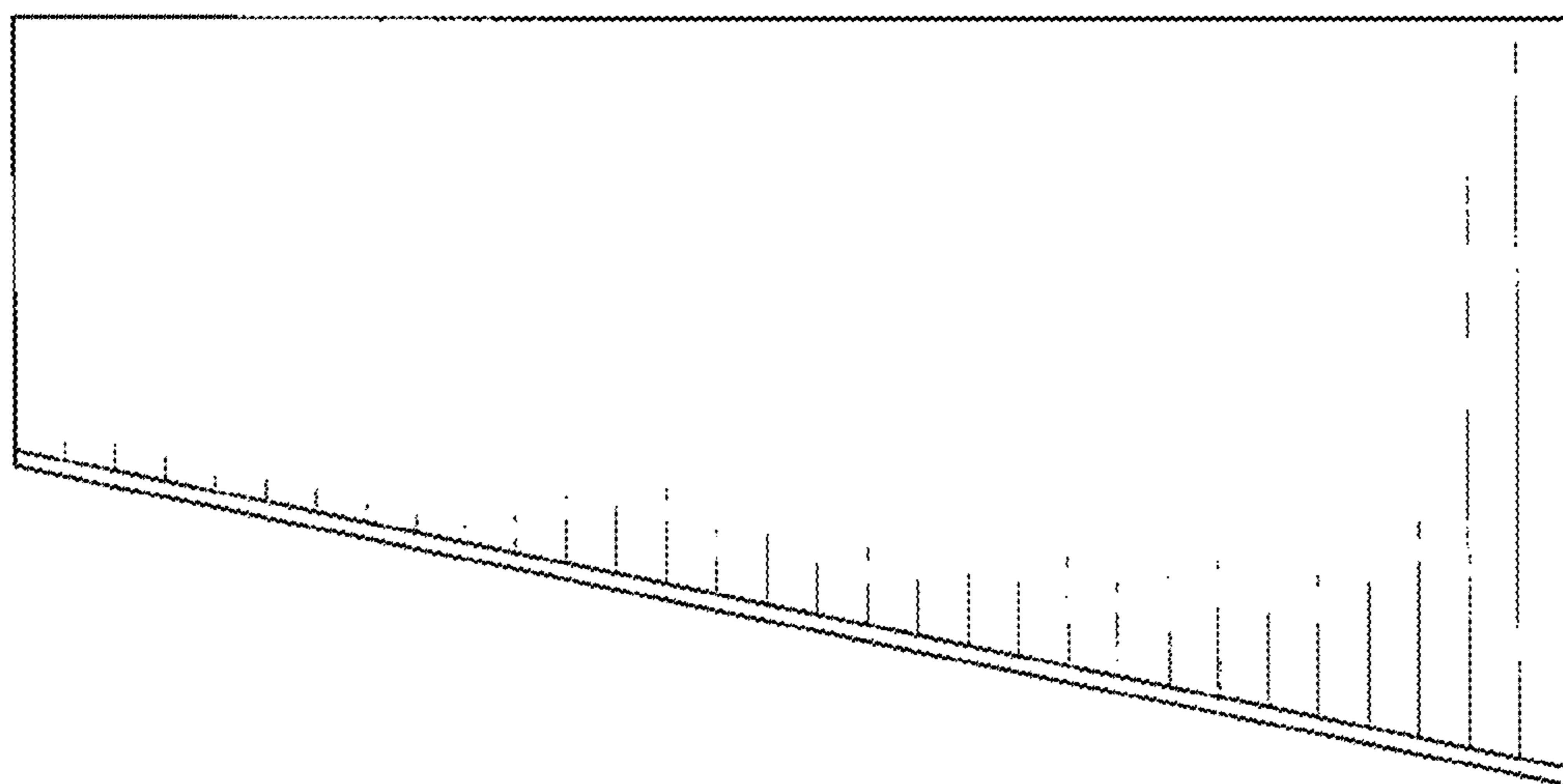


FIG. 5

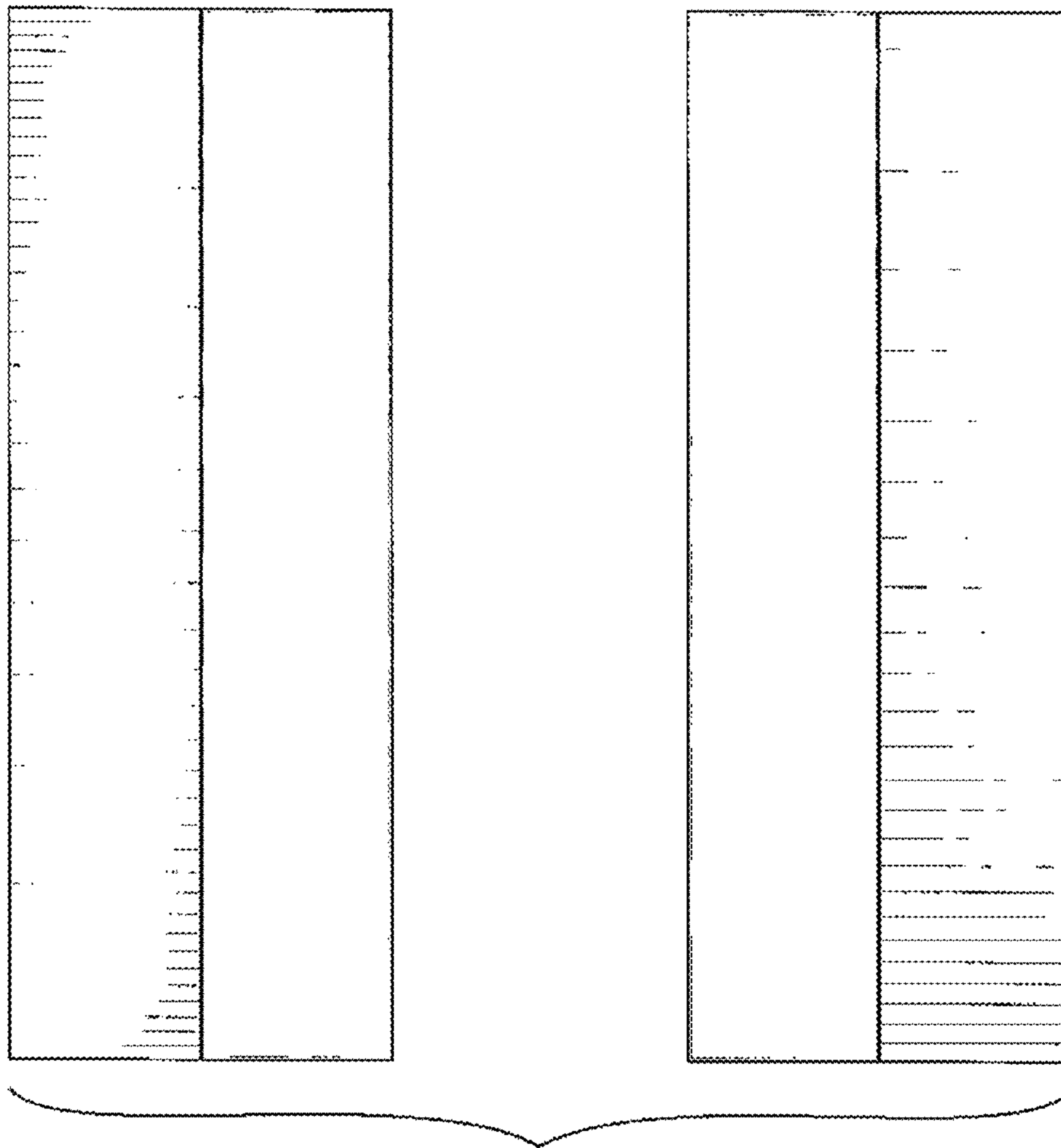


FIG. 6

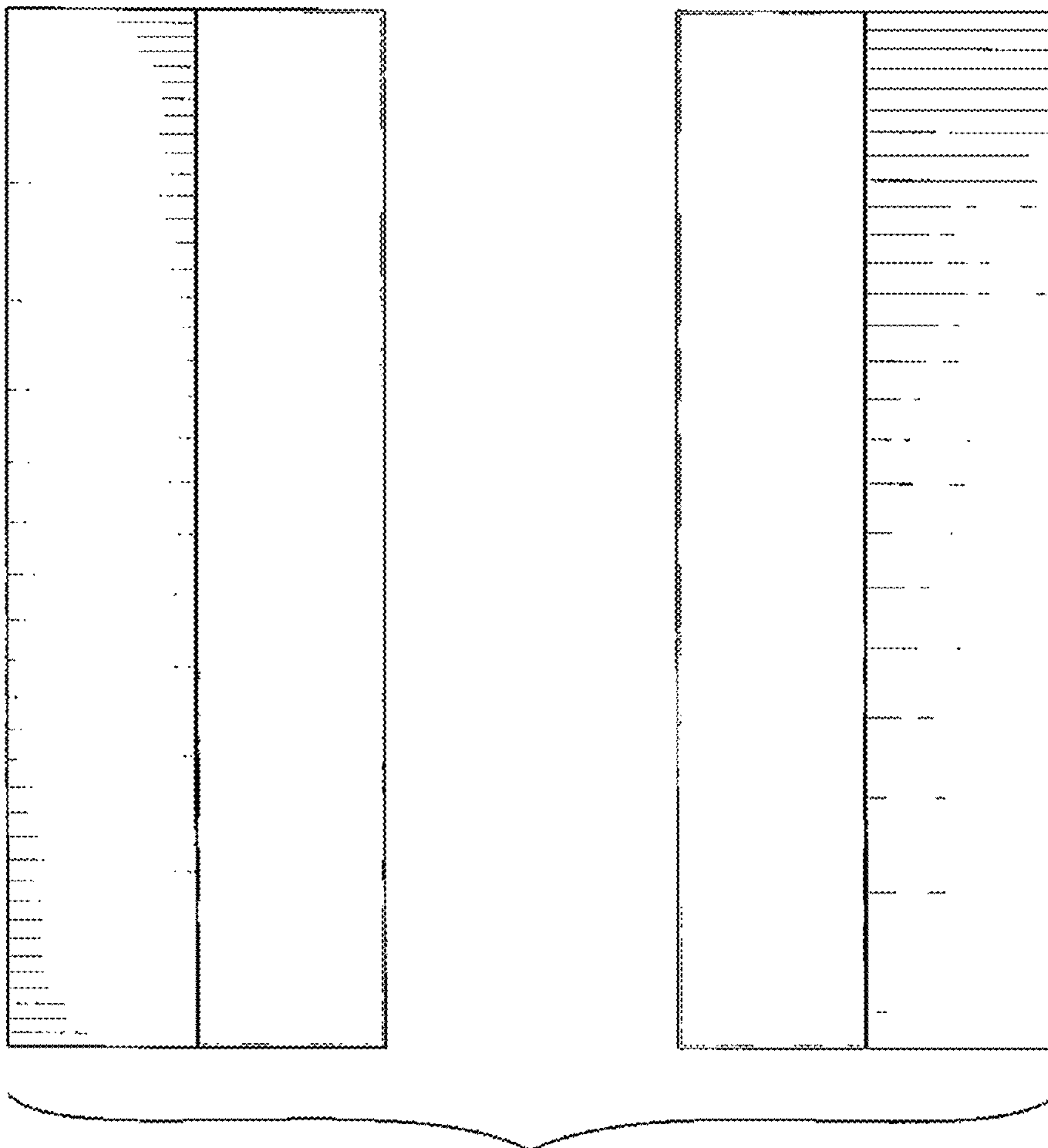


FIG. 7

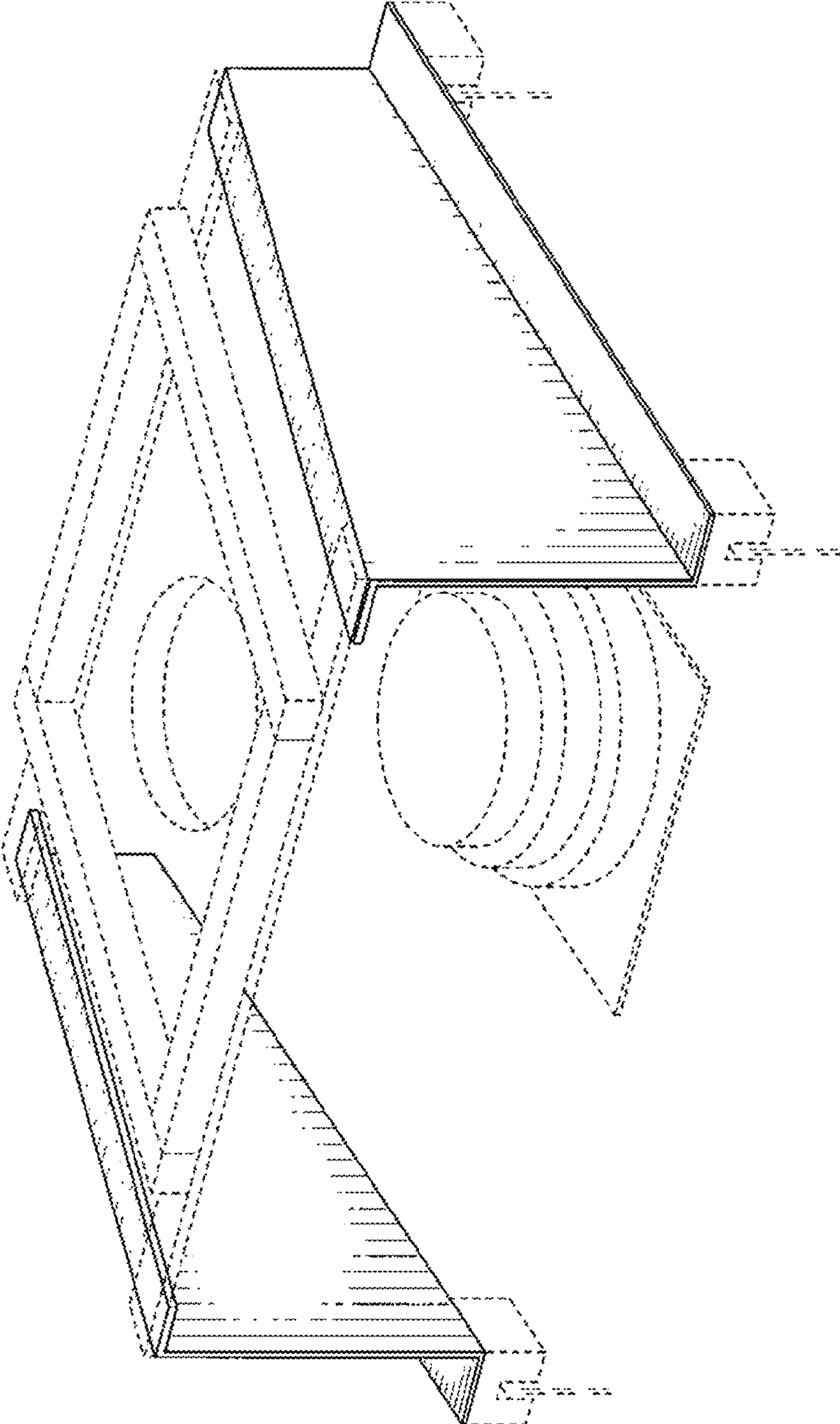


FIG. 8