



US00D765491S

(12) **United States Design Patent** (10) **Patent No.:** **US D765,491 S**
Jaycock (45) **Date of Patent:** **** Sep. 6, 2016**

(54) **SHUTTERING FORMWORK**
(71) Applicant: **KFIP LIMITED**, Pyle (GB)
(72) Inventor: **Andrew Peter Jaycock**, Daventry (GB)
(73) Assignee: **KFIP LIMITED**, Pyle, Bridgend (GB)
(**) Term: **14 Years**

5,363,619 A 11/1994 McPhee
D357,078 S * 4/1995 Hosseini D25/122
5,450,699 A 9/1995 Lee
5,568,710 A 10/1996 Smith et al.
D392,393 S * 3/1998 Hersh D25/122
5,769,562 A 6/1998 Jones
D407,504 S * 3/1999 Hersh D25/124
5,910,087 A 6/1999 Carter

(Continued)

(21) Appl. No.: **29/510,563**
(22) Filed: **Dec. 1, 2014**

FOREIGN PATENT DOCUMENTS

DE 29821784 U1 2/1999
EP 0360682 A1 3/1990

(Continued)

Related U.S. Application Data

(63) Continuation of application No. 12/726,656, filed on Mar. 18, 2010, now abandoned.

OTHER PUBLICATIONS

K-Form_YouTube. Feb. 19, 2011 [Online] [Accessed Mar. 9, 2016]<url:https://www.youtube.com/watch?v=H31BRgdrMG4>.*

(30) **Foreign Application Priority Data**

Mar. 3, 2010 (EP) 10 002 170

(51) **LOC (10) Cl.** **08-05**

(52) **U.S. Cl.**
USPC **D8/354**

(58) **Field of Classification Search**
USPC D13/155, 102, 118, 154, 184, 199;
D8/349, 354, 355, 356, 380; D25/119,
D25/122-125; D24/122

CPC . E02D 27/02; E04B 2005/322; E04G 11/06;
E04G 11/36

See application file for complete search history.

Primary Examiner — Rosemary K Tarcza
Assistant Examiner — Nathaniel D Buckner
(74) *Attorney, Agent, or Firm* — Davis & Bujold PLLC;
Michael J. Bujold

(57) **CLAIM**

The ornamental design for a shuttering formwork, as shown and described.

DESCRIPTION

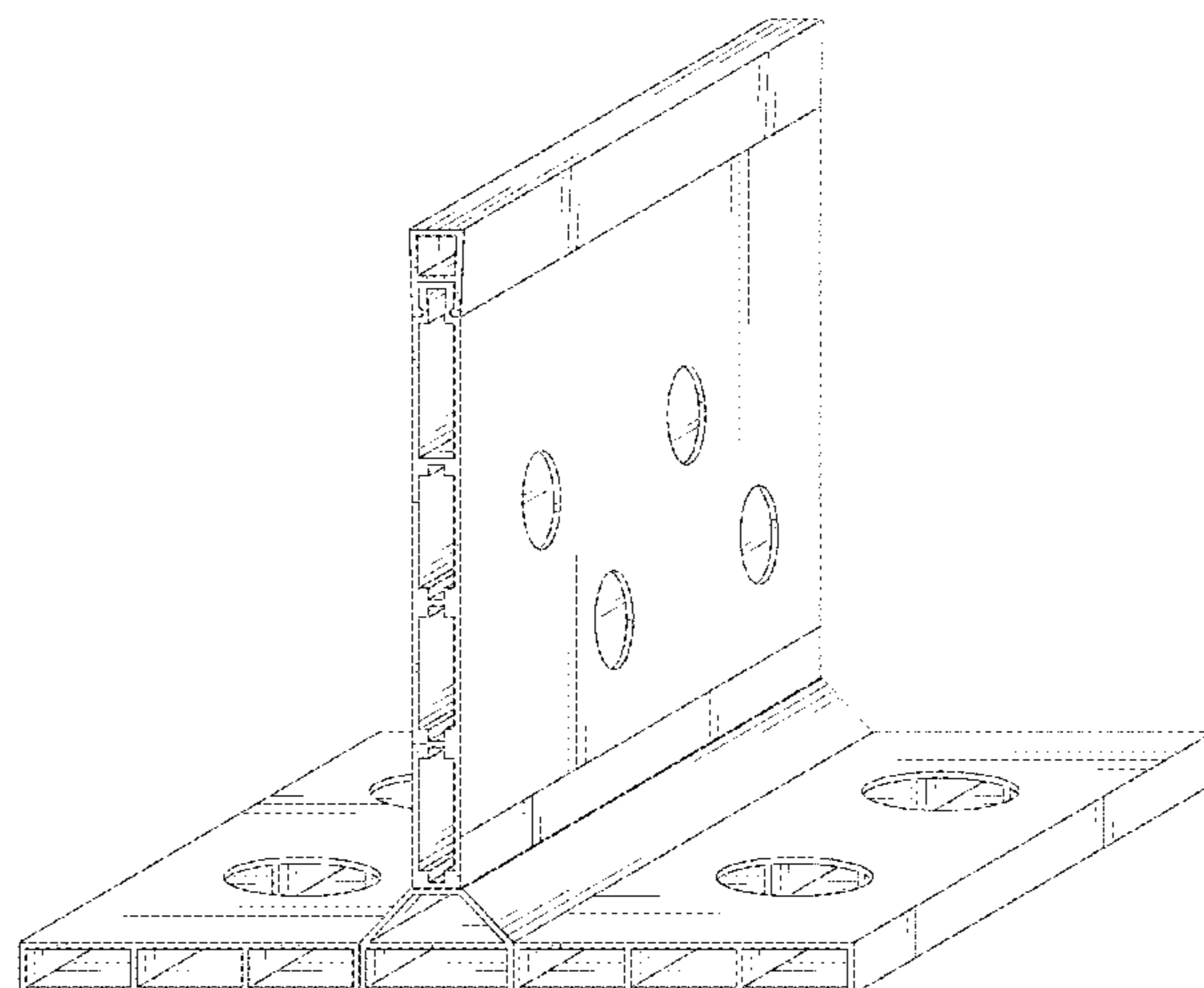
FIG. 1 is a perspective view of the shuttering formwork of the present invention;
FIG. 2 is a front elevation view, the rear elevation view being a mirror image thereof;
FIG. 3 is a right side elevation view, the left side elevation view being a mirror image thereof; and,
FIG. 4 is a top plan view.
The broken lines shown in the drawings depict features that form no part of the claimed design.

(56) **References Cited**

U.S. PATENT DOCUMENTS

4,346,542 A 8/1982 Tateno
4,815,886 A 3/1989 Madsen
4,841,704 A 6/1989 Jarrell
5,042,211 A 8/1991 Nestler
D336,344 S * 6/1993 Cole D25/124
D338,968 S * 8/1993 Moss D25/122
D351,240 S * 10/1994 Cole D25/122

1 Claim, 4 Drawing Sheets



(56)

References Cited

U.S. PATENT DOCUMENTS

5,956,912 A 9/1999 Carter et al.
 D424,710 S * 5/2000 Hersh D25/122
 6,532,714 B1 3/2003 Ferm et al.
 D485,373 S * 1/2004 Morton D25/125
 6,722,097 B2 4/2004 Haslem et al.
 6,735,918 B2 5/2004 Haslem et al.
 6,948,291 B2 9/2005 Haslem et al.
 D511,217 S * 11/2005 Bullock, Jr. D25/119
 D547,976 S * 8/2007 Torrente Bonatti D8/349
 D572,375 S * 7/2008 Morton D25/121
 7,506,480 B1 3/2009 Chandler
 7,547,158 B1 6/2009 Mucci
 D652,713 S * 1/2012 D'Abbraccio D8/382

D714,466 S * 9/2014 Fannan D25/122
 D724,766 S * 3/2015 Fannan D25/124
 D730,164 S * 5/2015 Paulick D8/382
 D738,492 S * 9/2015 Chaney D24/122
 D742,543 S * 11/2015 Singh D25/119
 2004/0181869 A1 9/2004 Cowling
 2006/0260233 A1 11/2006 Schluter
 2009/0064619 A1 3/2009 Bowerman
 2011/0214376 A1* 9/2011 Jaycock E02D 27/02
 52/396.03

FOREIGN PATENT DOCUMENTS

GB 2357104 A 6/2001
 GB 2391576 A 2/2004

* cited by examiner

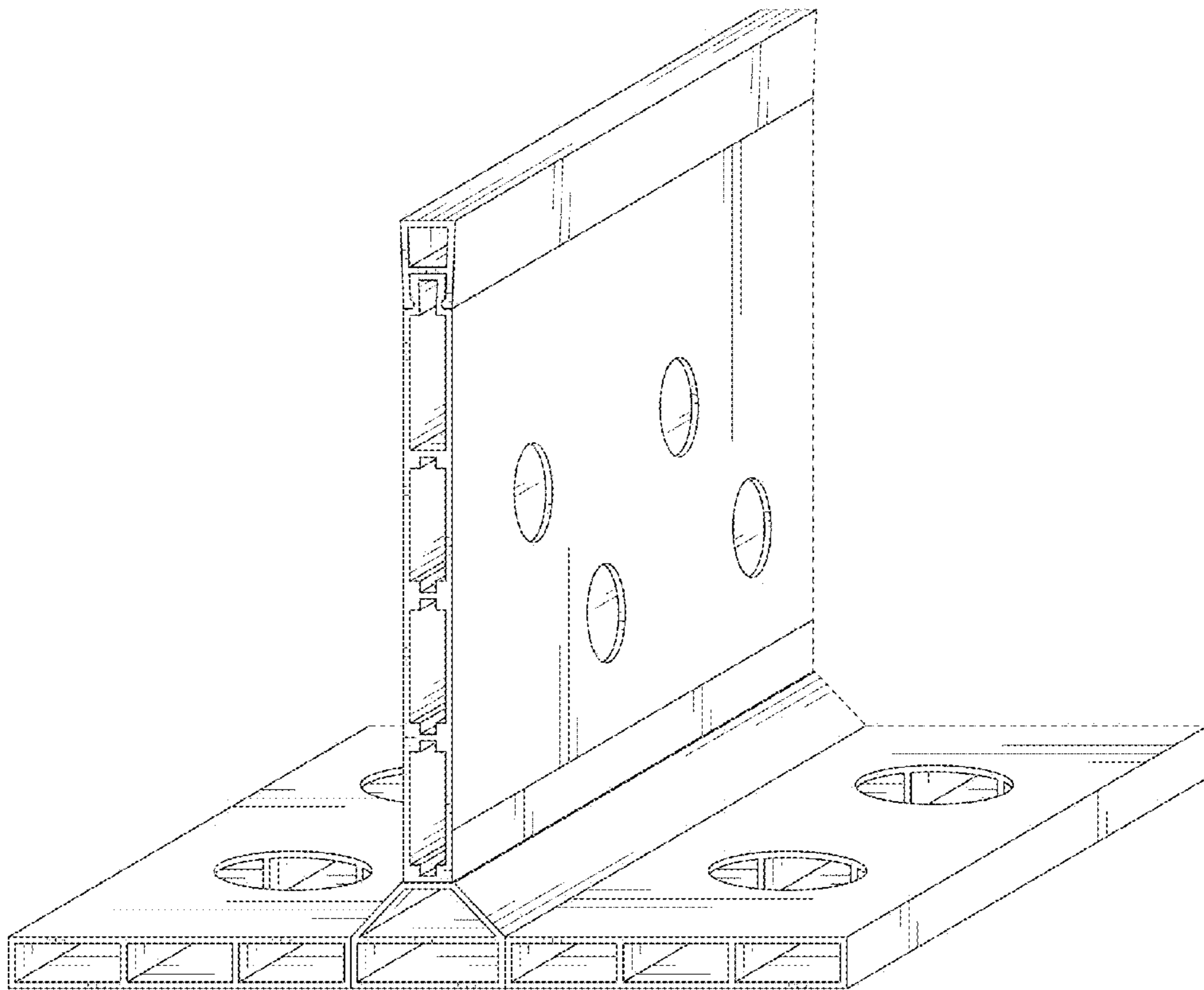


FIG. 1

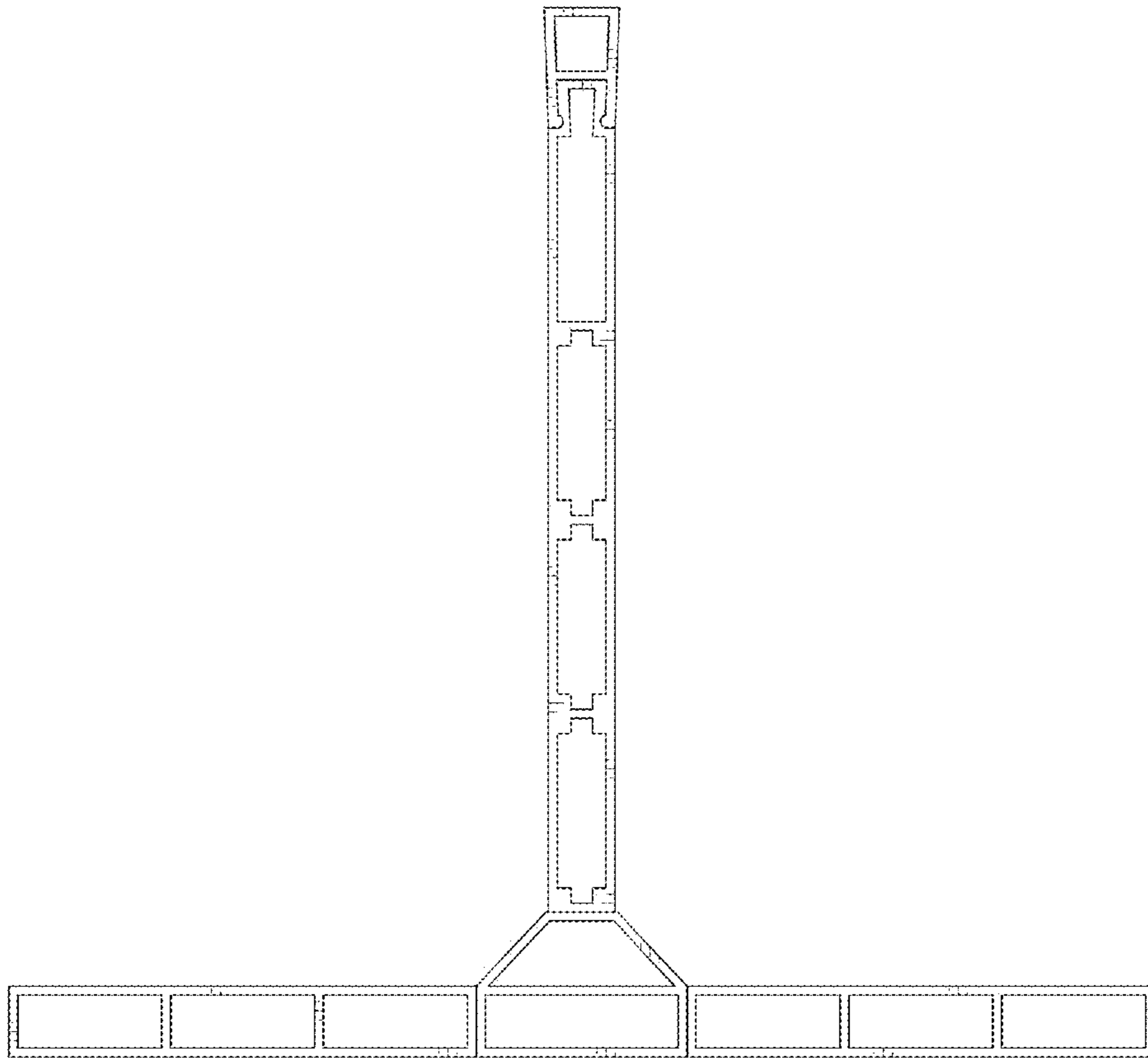


FIG. 2

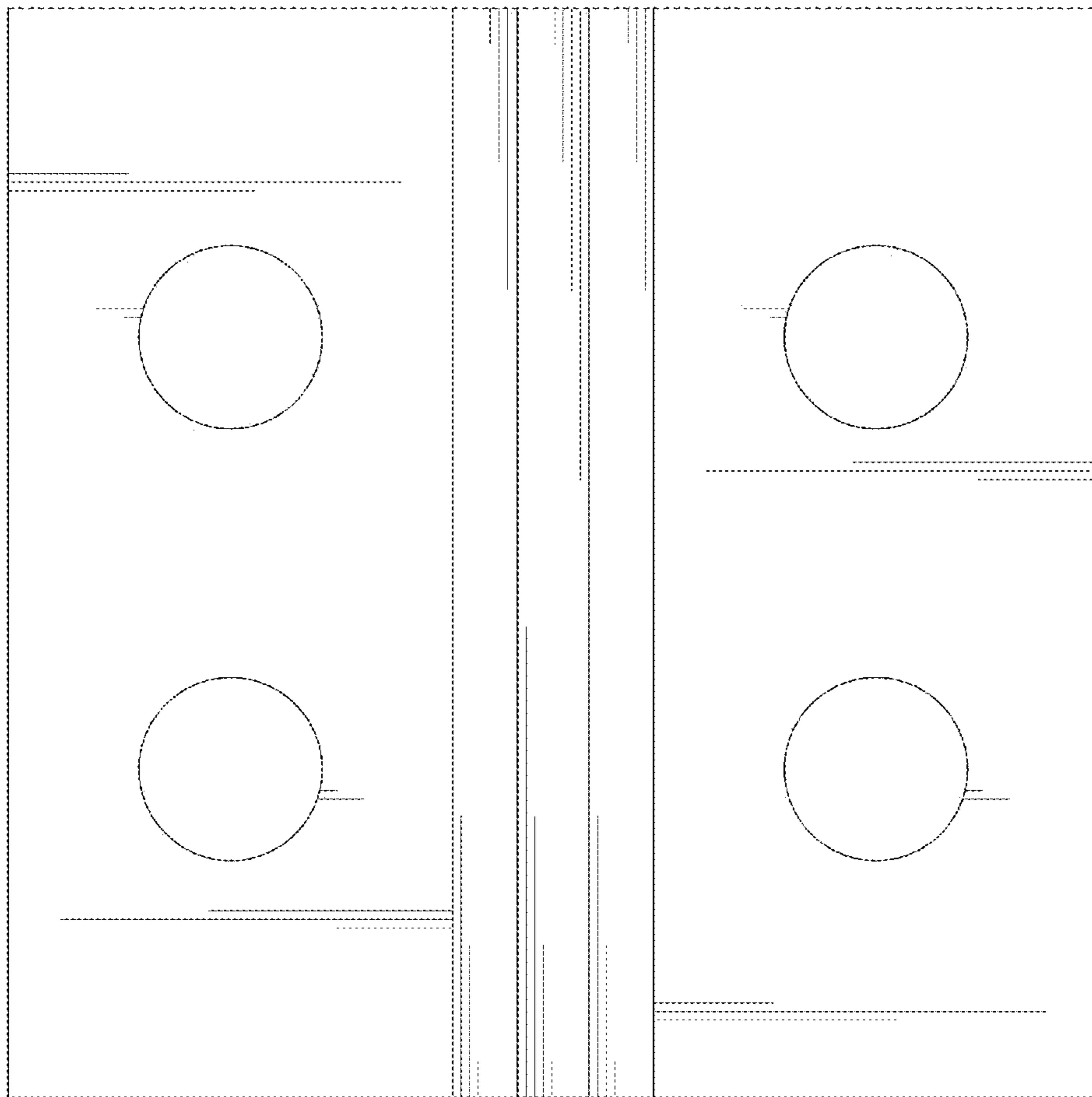


FIG. 3

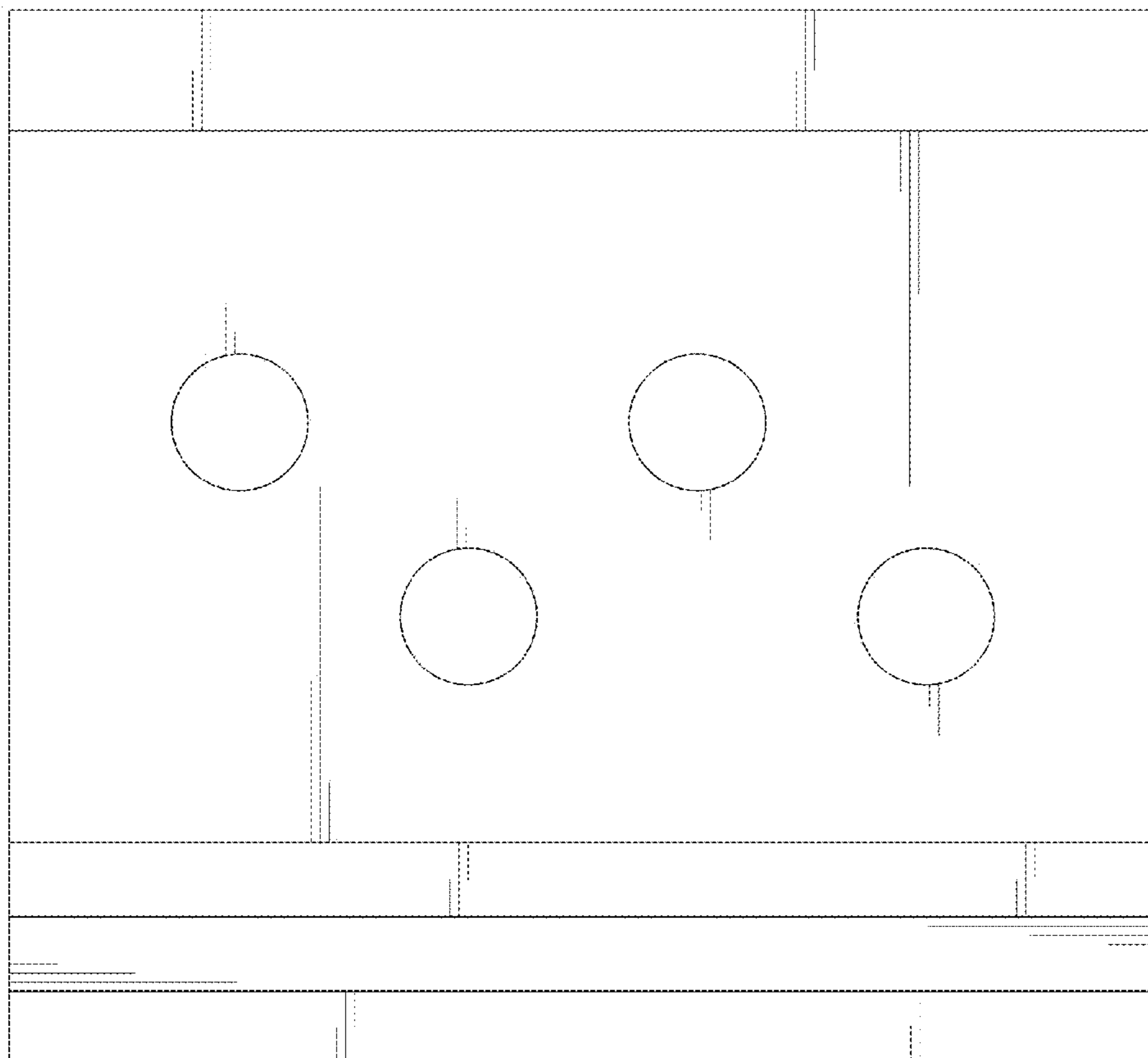


FIG. 4