



US00D765490S

(12) **United States Design Patent**
Nicoara

(10) **Patent No.:** **US D765,490 S**
(45) **Date of Patent:** **** Sep. 6, 2016**

(54) **KEY BLADE PINS CONFIGURATION**

(71) Applicant: **Rav Bariach (08) Industries Ltd.,**
Ashkelon (IL)

(72) Inventor: **Peter Nicoara,** Ashdod (IL)

(73) Assignee: **Rav Bariach (08) Industries Ltd.,**
Ashkelon (IL)

(**) Term: **14 Years**

(21) Appl. No.: **29/525,298**

(22) Filed: **Apr. 28, 2015**

(30) **Foreign Application Priority Data**

Oct. 29, 2014 (IL) 56166

(51) **LOC (10) Cl.** **08-07**

(52) **U.S. Cl.**
USPC **D8/347**

(58) **Field of Classification Search**

USPC D8/347, 348; 70/51, 336, 344, 348,
70/391, 393, 402, 408, 416, 429, 430, 460,
70/447, 257, 278.2, 278.3, 413, 456 R, 25,
70/2; 307/9.1, 10.1, 10.2; 340/425.5,
340/425.13

CPC E05B 19/00; E05B 19/04; E05B 19/20;
E05B 13/00; E05B 11/00; E05B 27/00

See application file for complete search history.

(56) **References Cited**

U.S. PATENT DOCUMENTS

3,688,269 A * 8/1972 Miller G07C 9/00007
235/382
D250,990 S * 2/1979 Hanneman D8/347
D307,704 S * 5/1990 Vonlanthen D8/347

5,325,690 A * 7/1994 Adler E05B 27/005
70/373
D434,301 S * 11/2000 Van Den Acker D8/347
D538,628 S * 3/2007 O. Johansson D8/347
7,337,639 B2 * 3/2008 Edwards, Jr. E05B 19/0035
70/358
D592,935 S * 5/2009 Mesh D8/347
7,762,111 B2 * 7/2010 Damikolas E05B 9/04
70/367
D678,038 S * 3/2013 Schindler D8/347
8,646,299 B2 * 2/2014 Sloth E05B 27/0014
70/358
8,776,562 B2 * 7/2014 Tong E05B 17/0004
70/442

* cited by examiner

Primary Examiner — Prabhakar Deshmukh

(74) *Attorney, Agent, or Firm* — Guy Levi; Blue Filament
Law PLLC

(57) **CLAIM**

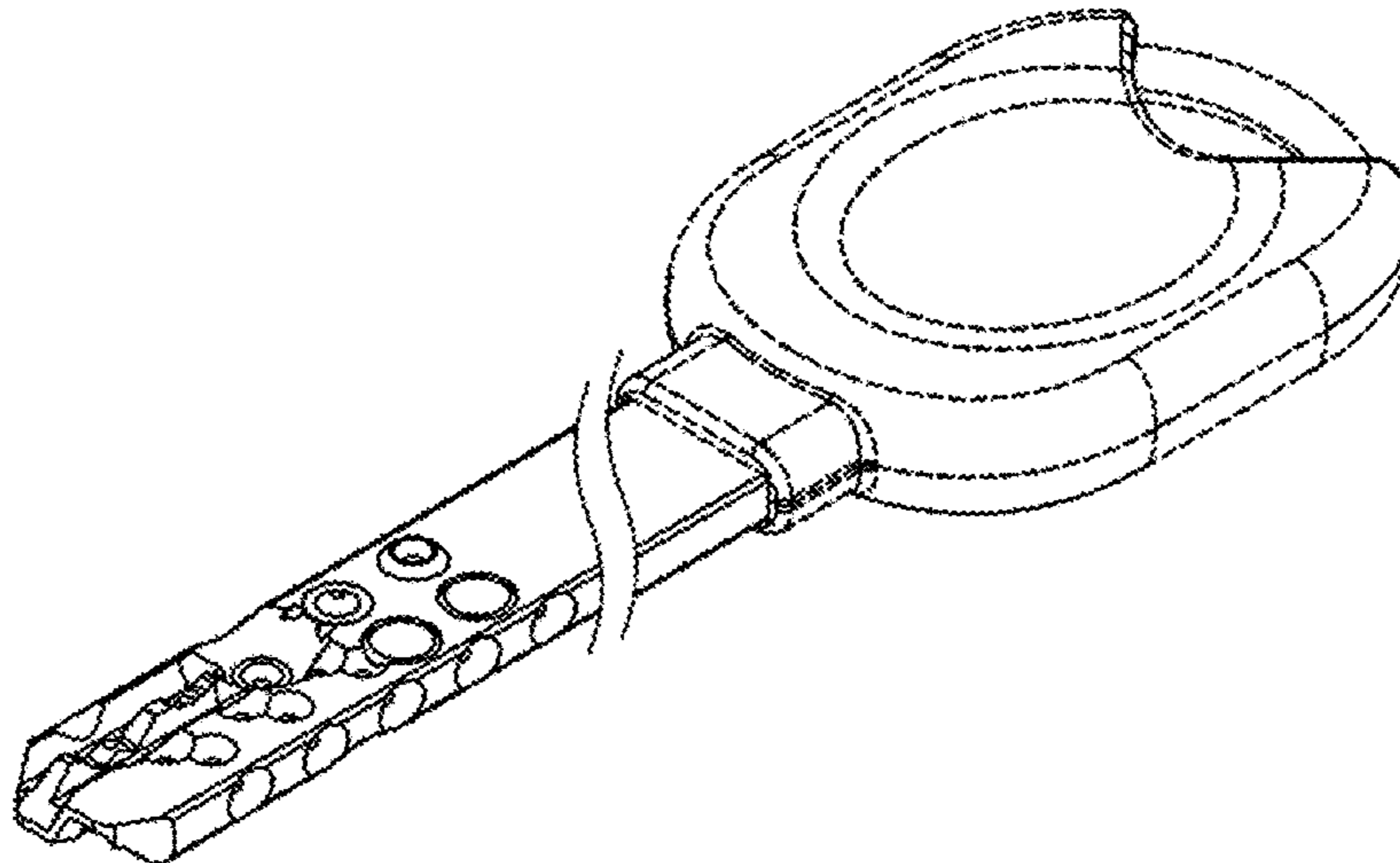
I claim, the ornamental design for a key blade pins configuration, as shown and described.

DESCRIPTION

FIG. 1 is a perspective view of a key blade pins configuration showing my new design;
FIG. 2 is a front elevational view thereof;
FIG. 3 is a rear elevational view thereof;
FIG. 4 is an enlarged top plan view thereof;
FIG. 5 is an enlarged bottom plan view thereof;
FIG. 6 is a left side elevational view thereof; and,
FIG. 7 is a right side elevational view thereof.

The dashed lines in the drawing illustrate environmental structure and form no part of the claimed design. The break lines in FIGS. 1-3, 6 and 7 indicate undetermined length of the key blade. The portions between the break lines form no part of the claimed design.

1 Claim, 5 Drawing Sheets



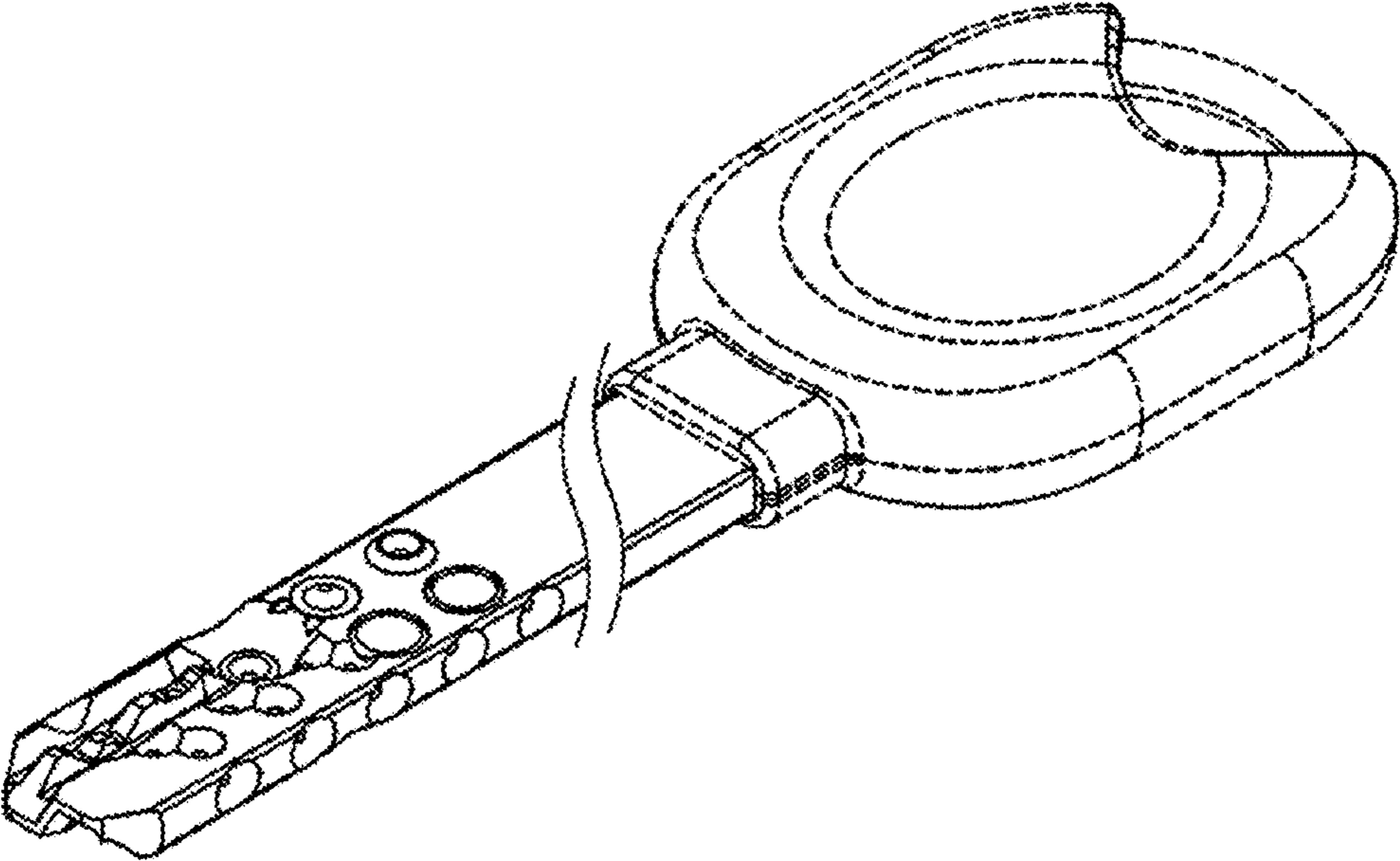


FIG. 1

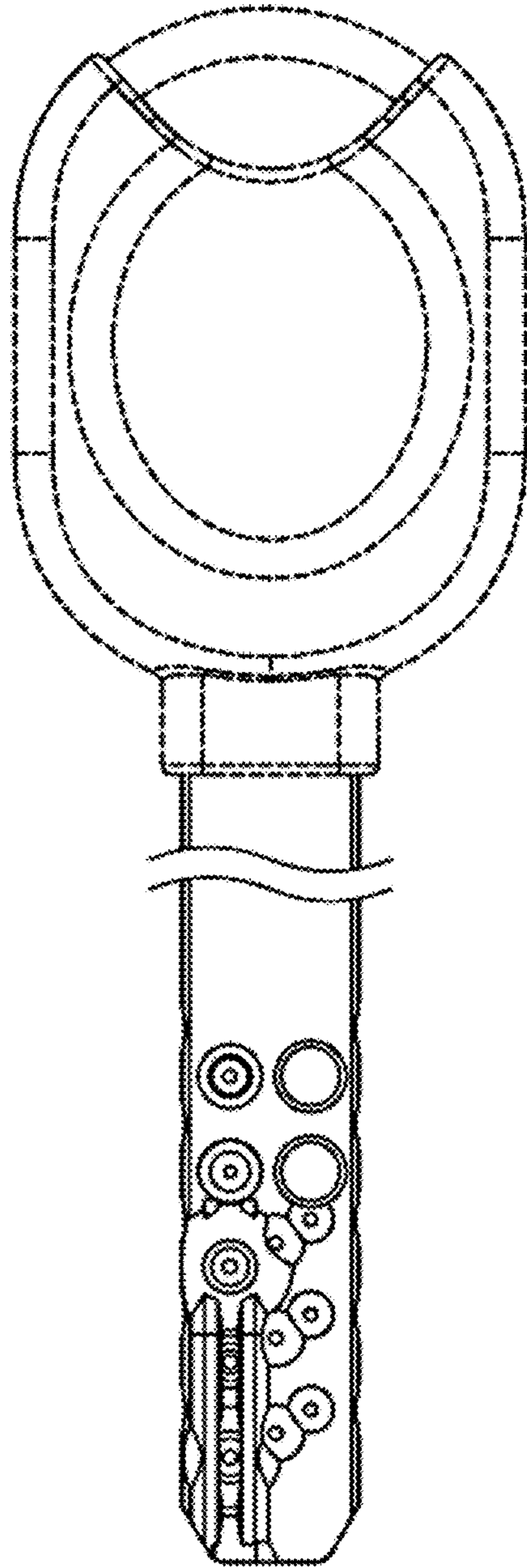


FIG. 2

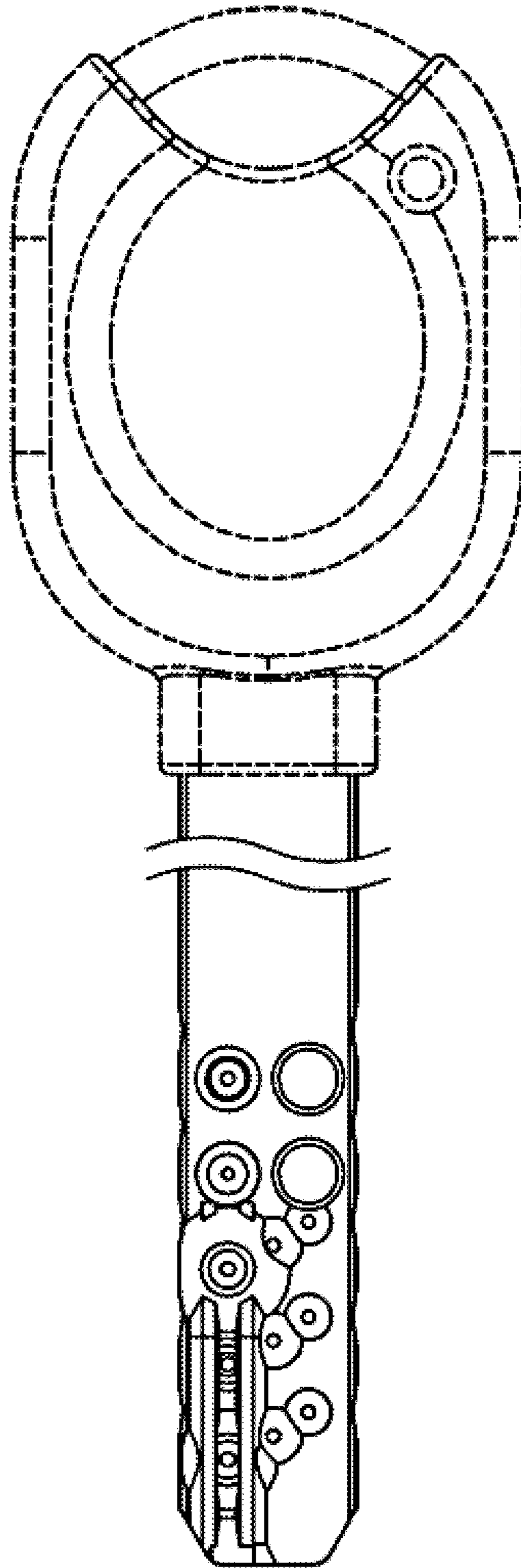


FIG. 3

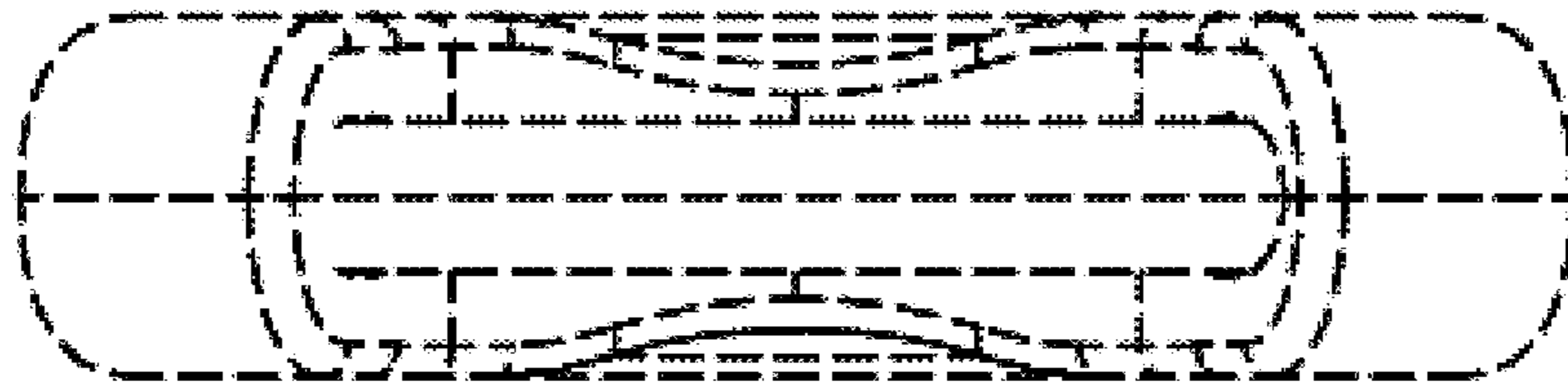


FIG. 4



FIG. 5

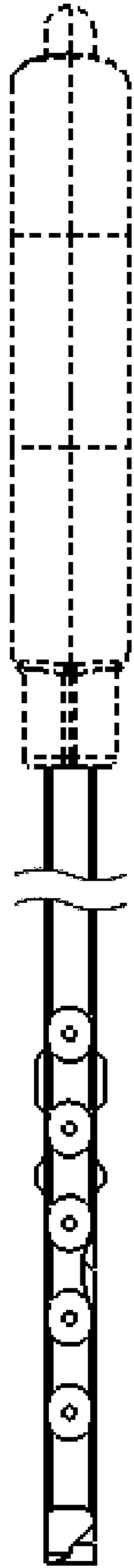


FIG. 6

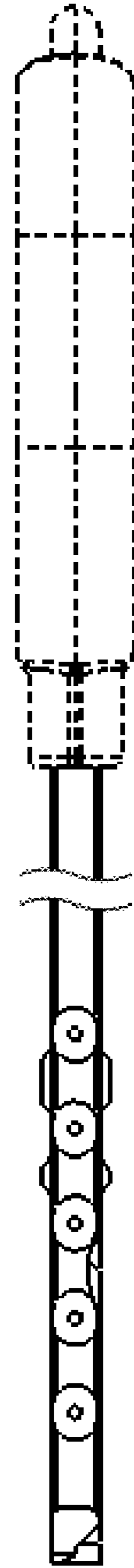


FIG. 7