



US00D765488S

(12) **United States Design Patent** (10) **Patent No.:** **US D765,488 S**  
**Held** (45) **Date of Patent:** **\*\* Sep. 6, 2016**

- (54) **FITTING FOR FURNITURE**
- (71) Applicant: **Julius Blum GmbH**, Hoechst (AT)
- (72) Inventor: **Wolfgang Held**, Hard (AT)
- (73) Assignee: **JULIUS BLUM GMBH**, Hochst (AT)
- (\*\*) Term: **15 Years**
- (21) Appl. No.: **29/533,599**
- (22) Filed: **Jul. 20, 2015**

D633,366	S	*	3/2011	Hasegawa	.....	D8/323
D712,718	S	*	9/2014	Thrush	.....	D8/323
D715,620	S	*	10/2014	Tung	.....	D8/323
D716,129	S	*	10/2014	Kashiwaguma	.....	D8/323
D716,130	S	*	10/2014	Kashiwaguma	.....	D8/323
D717,633	S	*	11/2014	Lu	.....	D8/323
D717,634	S	*	11/2014	Lu	.....	D8/323
D737,113	S	*	8/2015	Held	.....	D8/323
2007/0257538	A1	*	11/2007	Brunnmayr	.....	E05D 15/262 297/423.12
2011/0298349	A1	*	12/2011	Sutterlutti	.....	E05F 5/006 312/326
2012/0036681	A1	*	2/2012	Trautner	.....	F24C 15/023 16/352

\* cited by examiner

**Related U.S. Application Data**

- (62) Division of application No. 29/471,785, filed on Nov. 5, 2013, now Pat. No. Des. 737,113.
- (51) **LOC (10) Cl.** ..... **08-06**
- (52) **U.S. Cl.**  
USPC ..... **D8/323**
- (58) **Field of Classification Search**  
USPC ..... D8/323, 324, 325, 327, 328, 329, 330,  
D8/331, 336, 338, 346, 353, 403, 499;  
16/225, 235, 236, 238, 245, 250, 275,  
16/309, 379, 385, 390, 430; 248/682  
CPC ..... Y10T 16/53247; Y10T 16/54056;  
Y10T 16/551; Y10T 16/52; Y10T 16/521;  
Y10T 16/522  
See application file for complete search history.

*Primary Examiner* — Wan Laymon  
*Assistant Examiner* — Mark Booker

(74) *Attorney, Agent, or Firm* — Wenderoth, Lind & Ponack, L.L.P.

(57) **CLAIM**

The ornamental design for a fitting for furniture, as shown and described.

**DESCRIPTION**

FIG. 1 is a perspective view of an embodiment of a fitting for furniture;  
 FIG. 2 is a front view thereof;  
 FIG. 3 is a top view thereof;  
 FIG. 4 is a back view thereof;  
 FIG. 5 is a bottom view thereof;  
 FIG. 6 is a left side view thereof; and,  
 FIG. 7 is a right side view thereof.

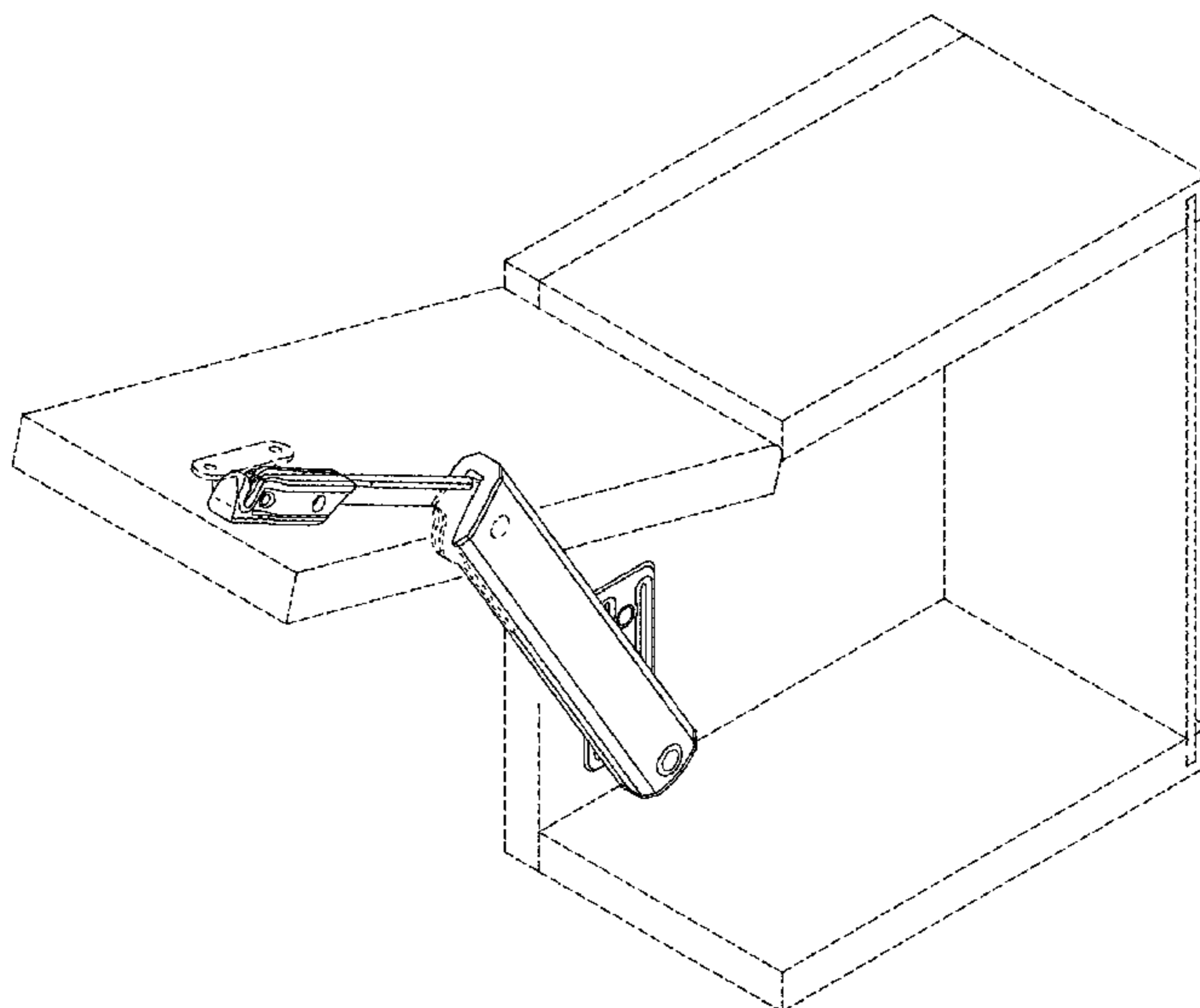
The broken lines shown in the drawings illustrate portions of the fitting for furniture and form no part of the claimed design.

(56) **References Cited**

U.S. PATENT DOCUMENTS

D222,234	S	*	10/1971	Imber et al.	.....	D8/323
D367,808	S	*	3/1996	Blomqvist	.....	D8/323
D392,175	S	*	3/1998	Beck	.....	D16/334
D407,624	S	*	4/1999	Ehrig	.....	
D433,918	S	*	11/2000	Bradley	.....	D8/323

**1 Claim, 7 Drawing Sheets**



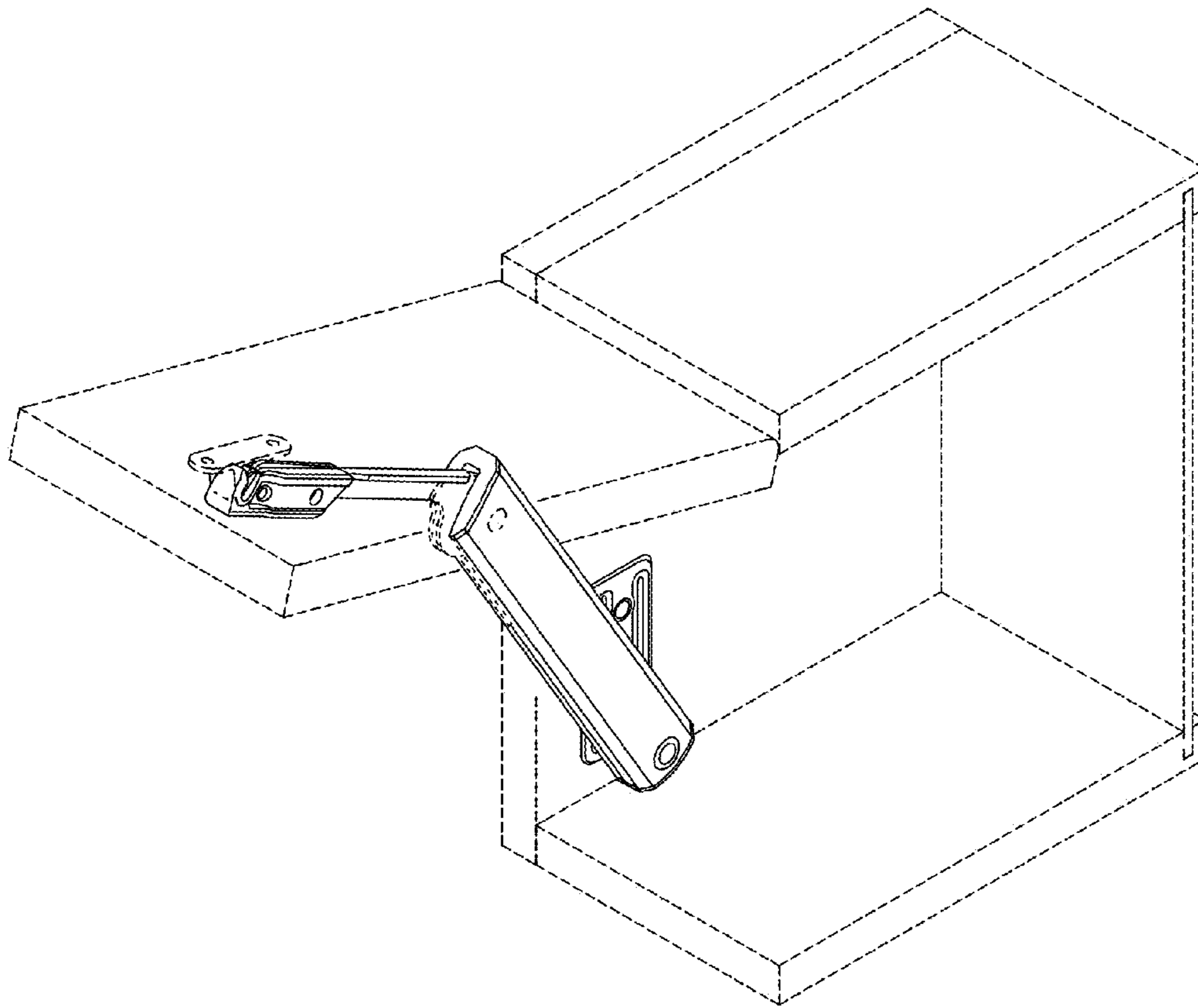


Fig. 1

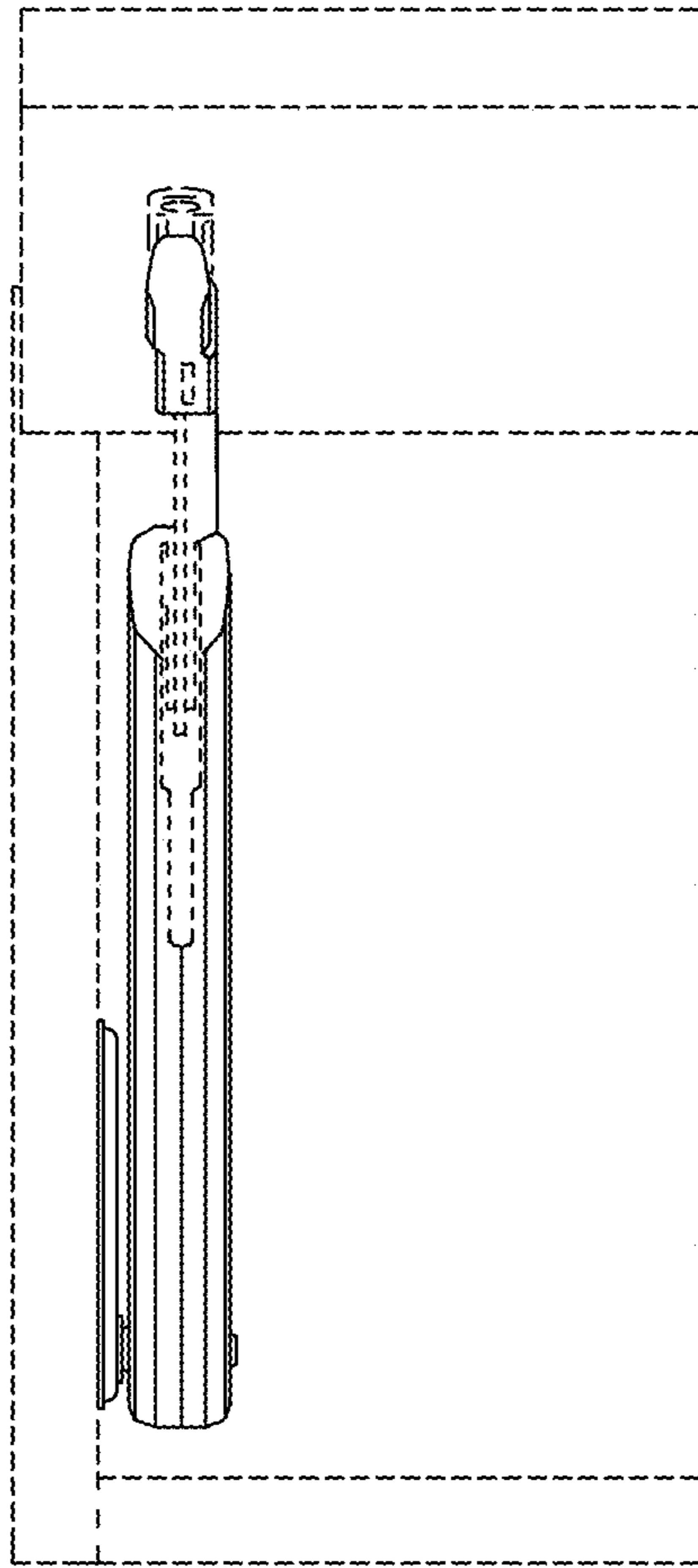


Fig. 2

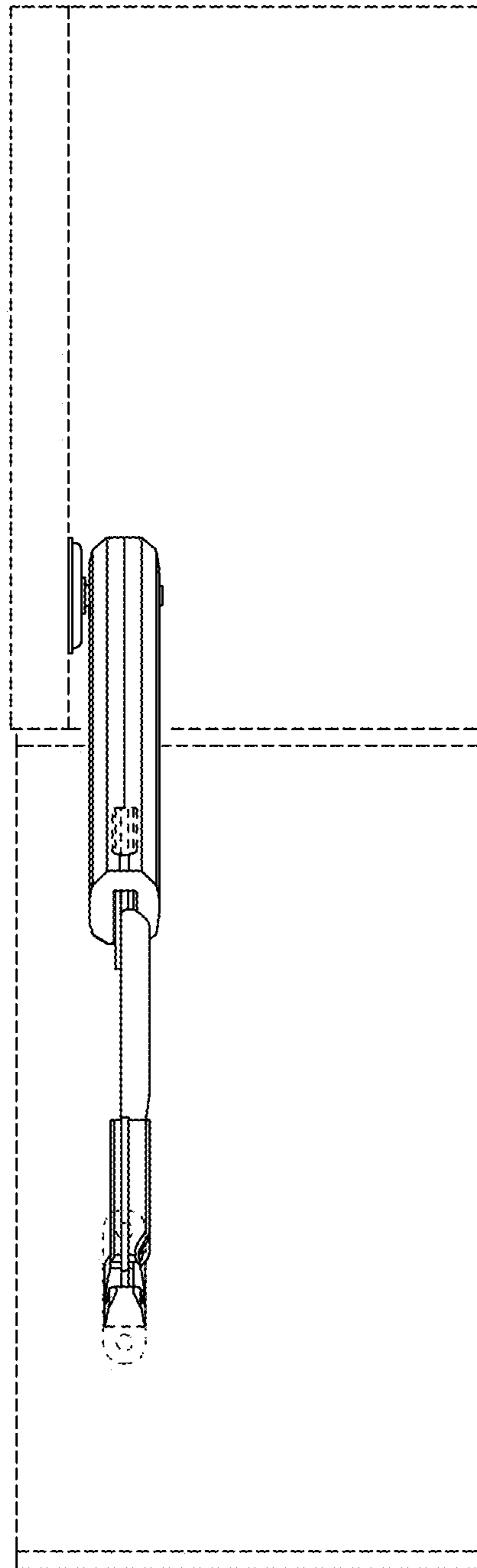


Fig. 3

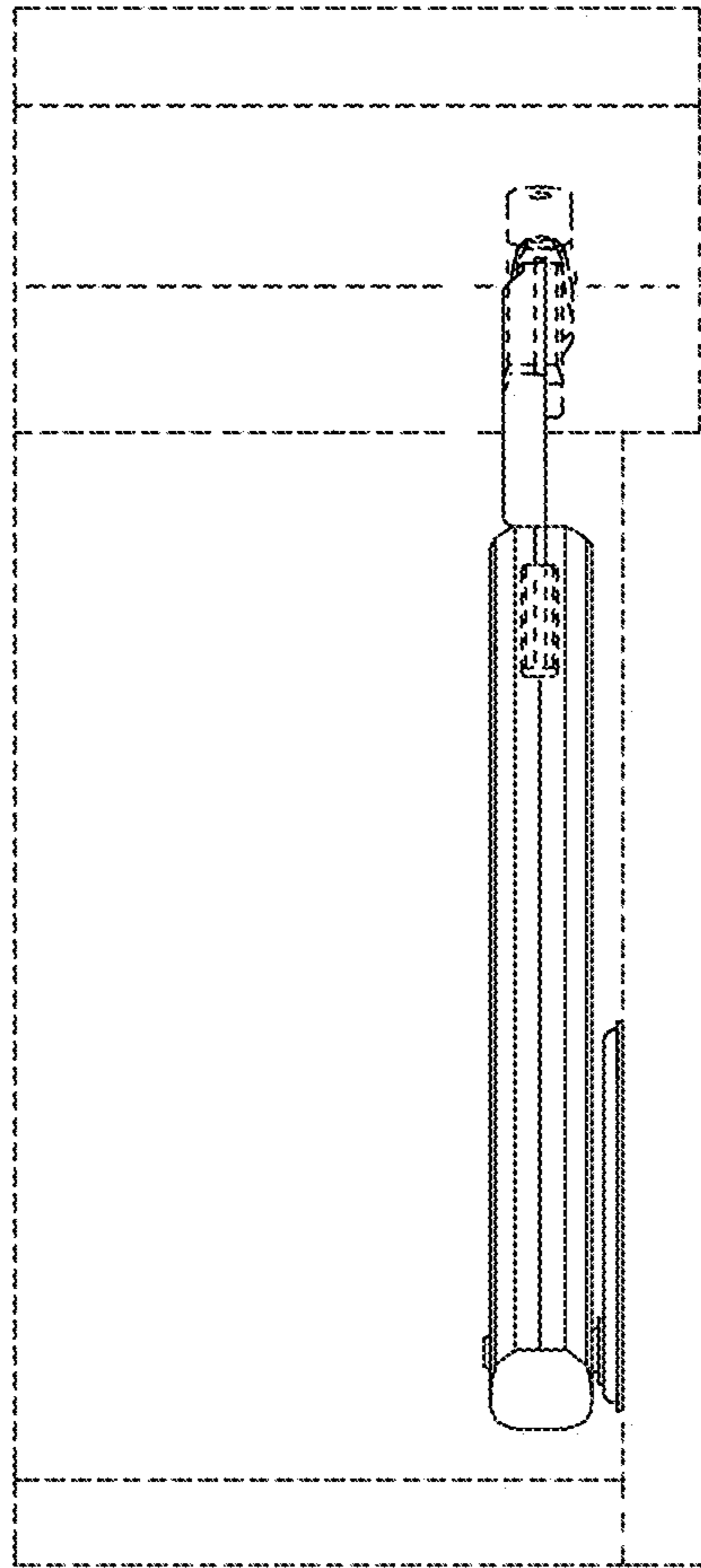


Fig. 4

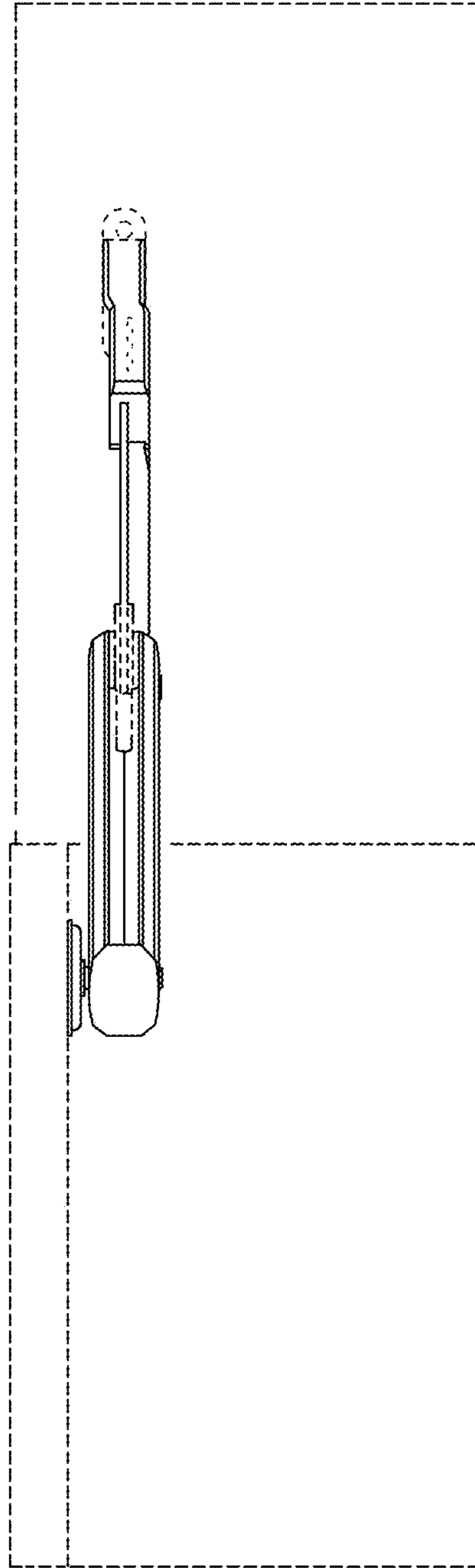


Fig. 5

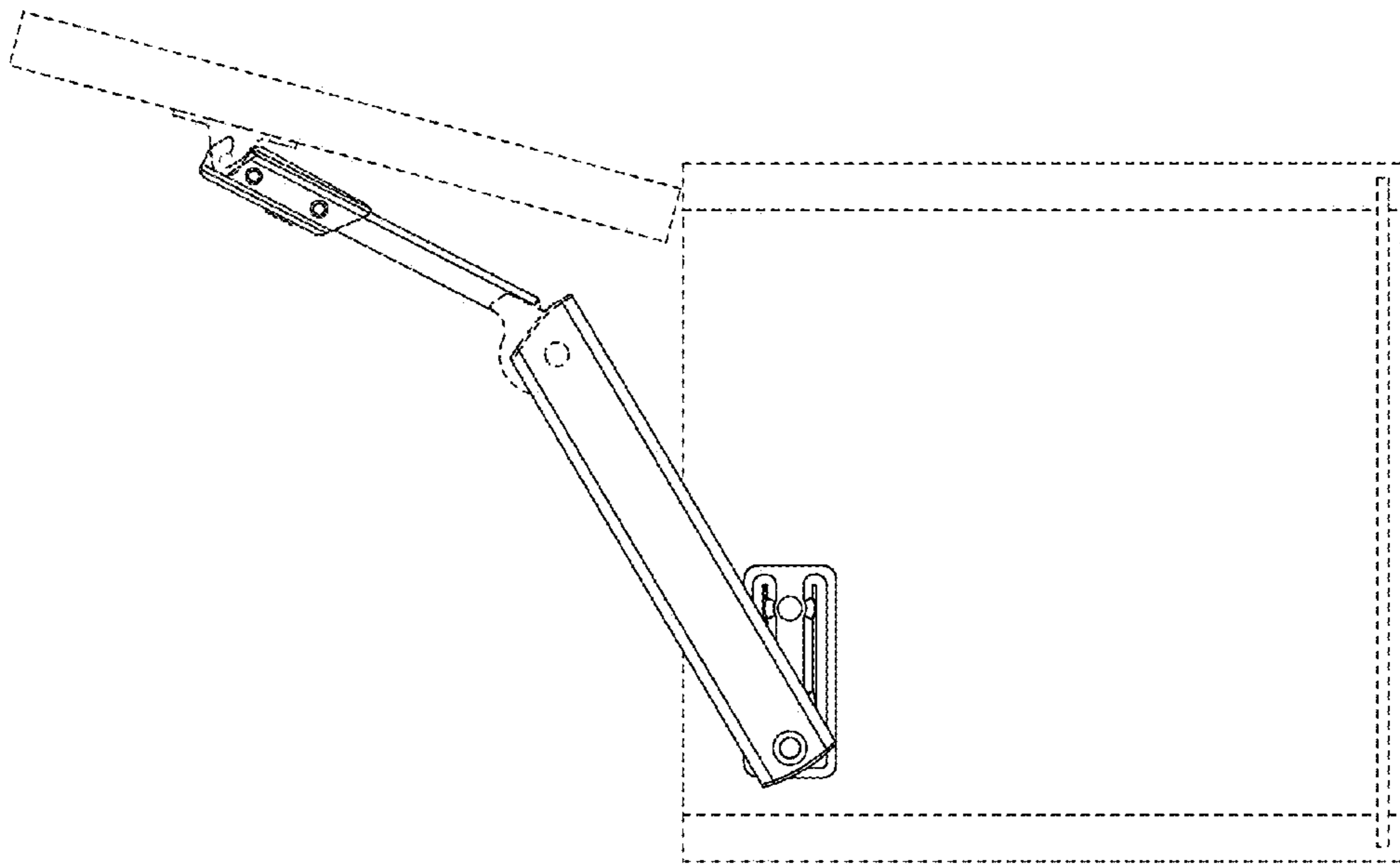


Fig. 6

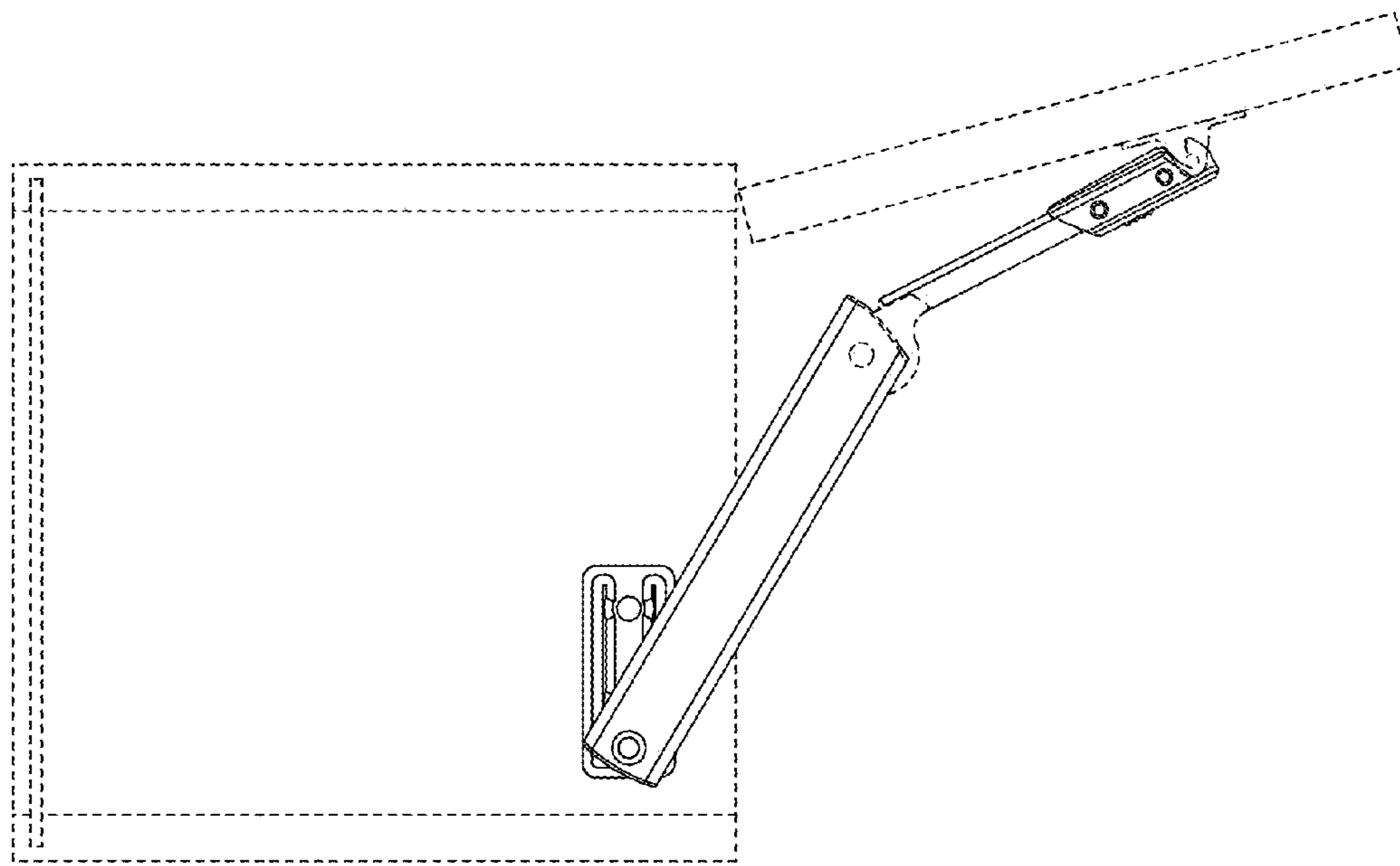


Fig. 7