



US00D765486S

(12) **United States Design Patent** (10) **Patent No.:** **US D765,486 S**
Evans et al. (45) **Date of Patent:** **** Sep. 6, 2016**

(54) **KNIFE SHARPENER**
(71) Applicant: **JOSEPH JOSEPH LTD**, London (GB)
(72) Inventors: **David Evans**, Great Abington (GB);
Ashley May, Great Abington (GB)
(73) Assignee: **Joseph Joseph Ltd.**, London (GB)
(**) Term: **14 Years**
(21) Appl. No.: **29/499,954**
(22) Filed: **Aug. 20, 2014**
(30) **Foreign Application Priority Data**

Feb. 24, 2014 (EM) 002410761-0002

(51) **LOC (10) Cl.** **08-05**
(52) **U.S. Cl.**
USPC **D8/93**
(58) **Field of Classification Search**
USPC D8/14, 44-47, 61-63, 69, 88-94, 97,
D8/107, 352; 451/349, 461, 486, 552,
451/555-558; 76/82, 88; D10/118;
D13/125, 158, 162, 168, 171, 174;
D14/399-401, 412, 415, 426, 480.6;
D21/333, 329; D28/49-54; 200/302.2,
200/406, 516
CPC B24B 3/54; B24B 3/546; B24D 15/00;
B24D 15/06; B24D 15/065; B24D 15/08;
B24D 15/081; B24D 15/082
See application file for complete search history.

(56) **References Cited**

U.S. PATENT DOCUMENTS

4,843,197 A * 6/1989 Kojima H01H 11/0056
200/302.2
D366,875 S * 2/1996 Kakizaki D14/218
D390,194 S * 2/1998 Thomas D13/125
D392,945 S * 3/1998 Barry D13/168

D425,887 S * 5/2000 Edwards D14/138 G
D455,228 S * 4/2002 Hsu D28/50
D460,757 S * 7/2002 Keung Li D14/345
D463,787 S * 10/2002 Beraut D14/218
D477,956 S * 8/2003 Grisdale D6/545
D479,238 S * 9/2003 Brown D14/357
D488,811 S * 4/2004 Denhez D14/341
D495,829 S * 9/2004 Dombrowski D28/49
D495,831 S * 9/2004 Hsu D28/50
D499,295 S * 12/2004 Grisdale D6/545
D501,652 S * 2/2005 Pierson D13/171
D511,750 S * 11/2005 Badarello D13/168
D512,183 S * 11/2005 Nagano D28/51
D533,144 S * 12/2006 Asada D13/171
D568,256 S * 5/2008 Asada D13/158
D577,565 S * 9/2008 Samhammer D8/303
D581,010 S * 11/2008 Sparks D23/208
D583,903 S * 12/2008 Sparks D23/208
D598,870 S * 8/2009 Asada D13/171
D600,408 S * 9/2009 Micinilio D28/46

(Continued)

Primary Examiner — Philip S Hyder

Assistant Examiner — Roselynn Cody

(74) *Attorney, Agent, or Firm* — Millen White Zelano & Branigan, P.C.

(57) **CLAIM**

The ornamental design for a knife sharpener, as shown and described.

DESCRIPTION

FIG. 1 is a top perspective view of the knife sharpener showing my new design.

FIG. 2 is a top view thereof.

FIG. 3 is a bottom view thereof.

FIG. 4 is side view thereof.

FIG. 5 is another side view thereof.

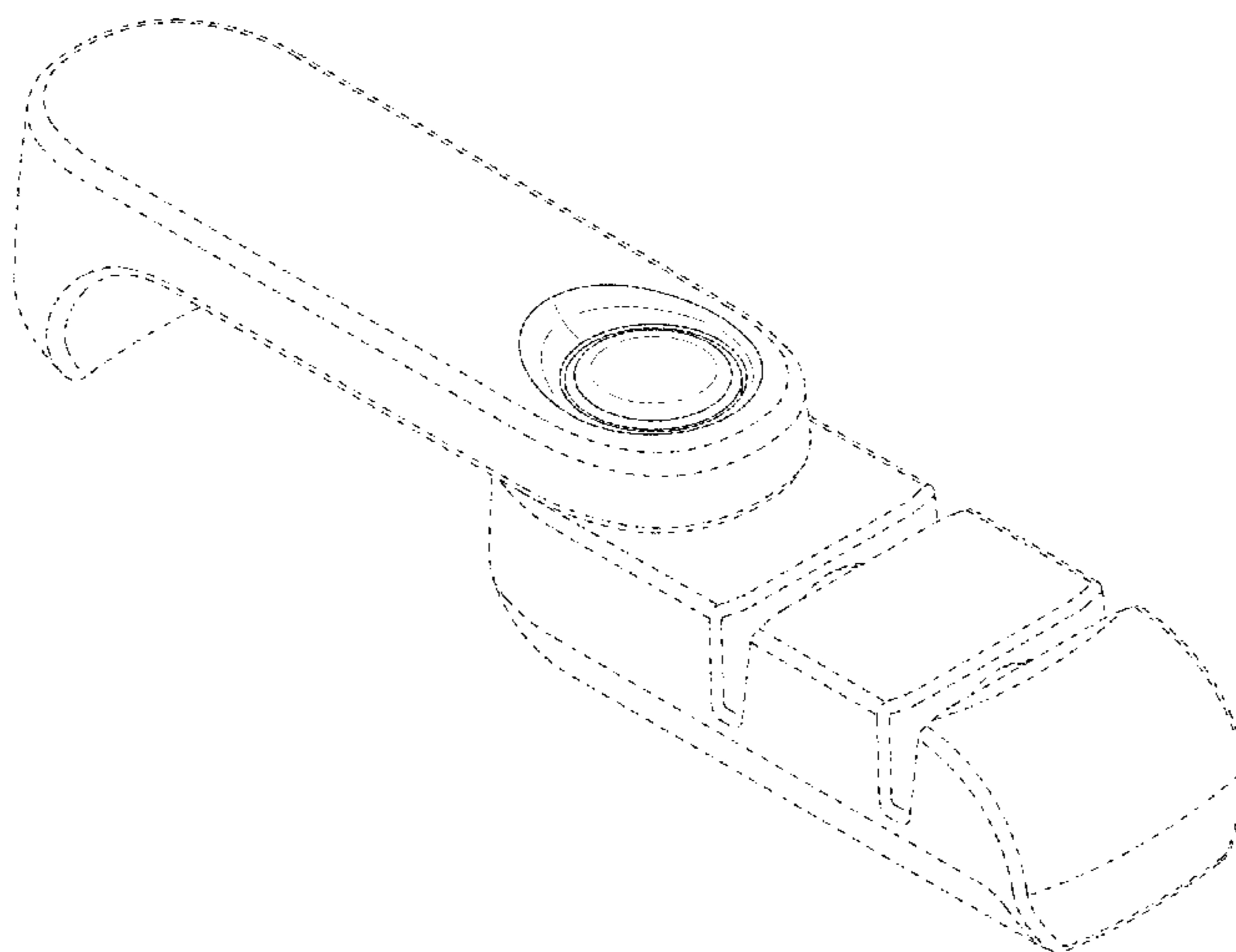
FIG. 6 is front view thereof.

FIG. 7 is a back view thereof; and,

FIG. 8 is another top perspective view thereof.

The broken lines showing other parts of the knife sharpener form no part of the claimed design.

1 Claim, 8 Drawing Sheets



US D765,486 S

Page 2

(56)

References Cited

U.S. PATENT DOCUMENTS

D601,530 S * 10/2009 Park D14/138 AA
D620,643 S * 7/2010 Teteak D28/50
D627,616 S * 11/2010 Whitehead D8/69
D652,347 S * 1/2012 Grierson D11/222

D667,381 S * 9/2012 Rolli D13/168
D688,109 S * 8/2013 Vanderbeek D8/61
D703,496 S * 4/2014 Arcati D13/171
D708,796 S * 7/2014 Sproviero D10/104.1
D741,321 S * 10/2015 Iida D14/372
2007/0102275 A1 * 5/2007 Genz H01H 13/06
200/406

* cited by examiner

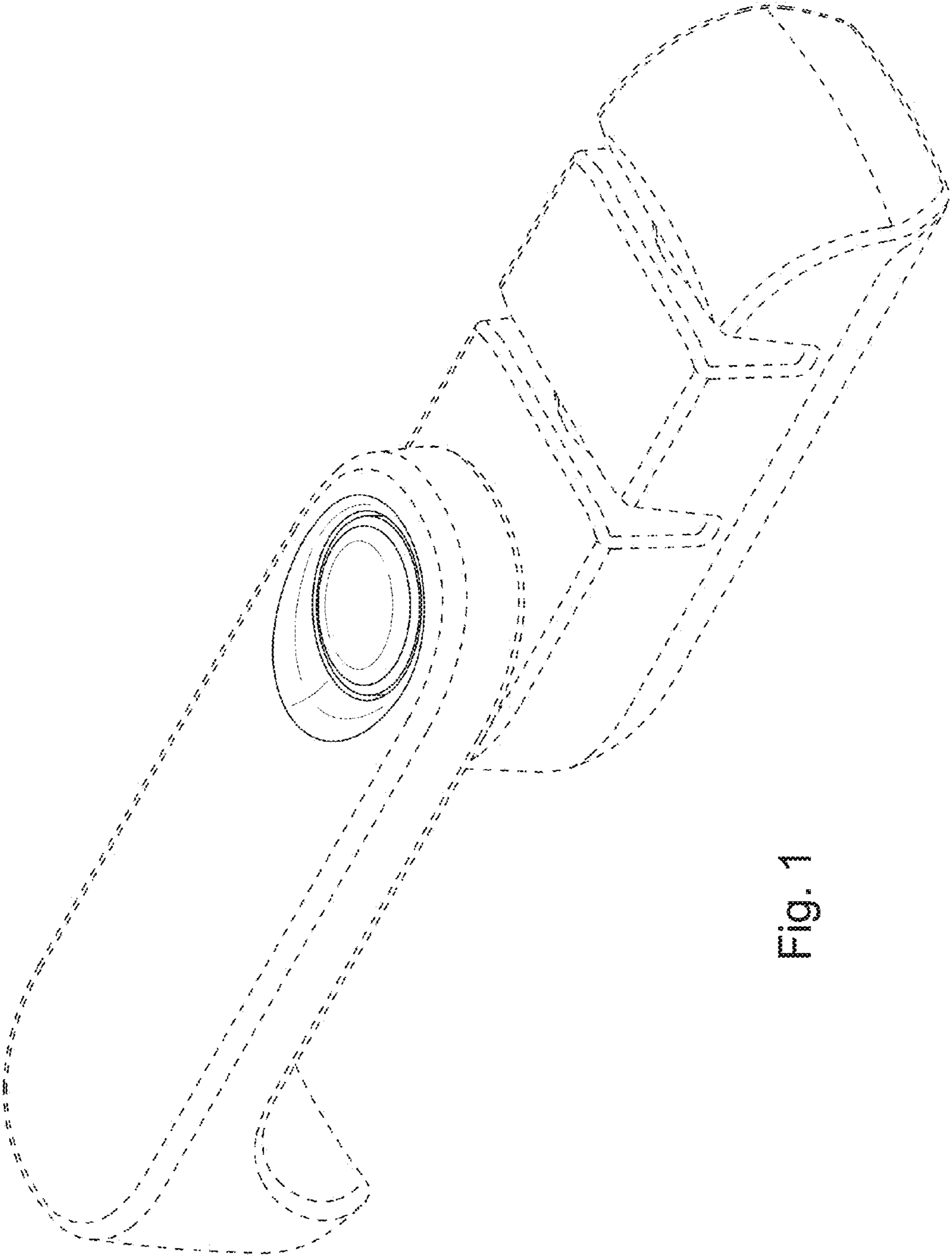


Fig. 1

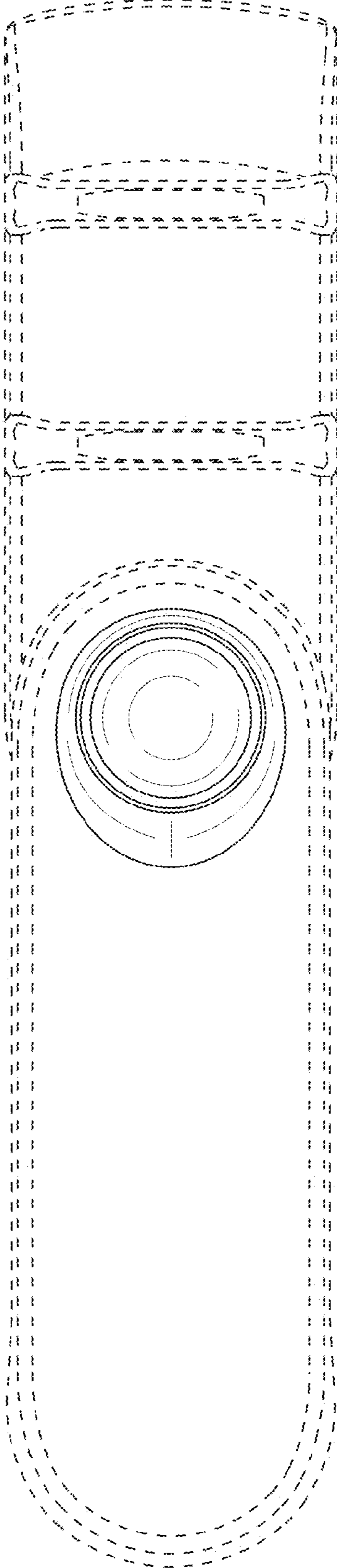


Fig. 2

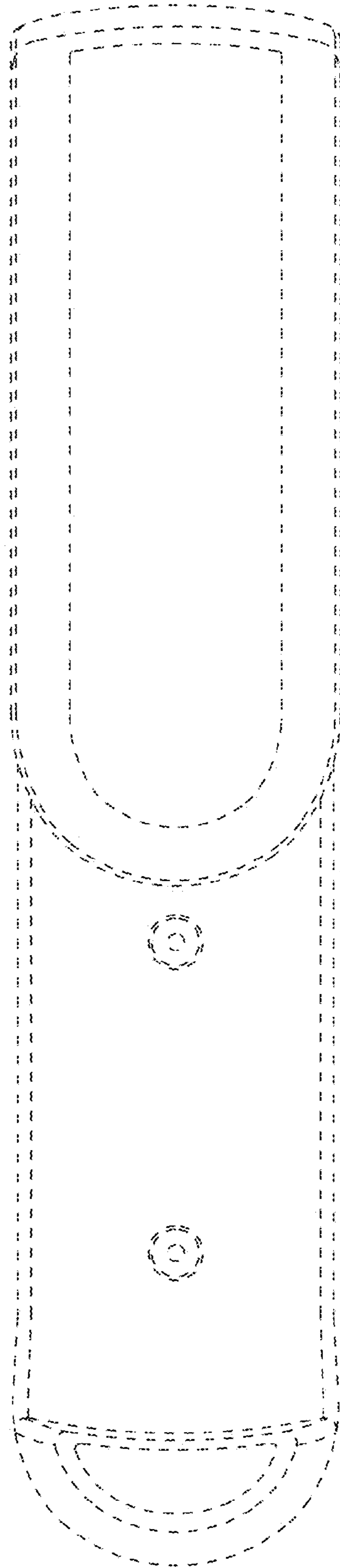


Fig. 3

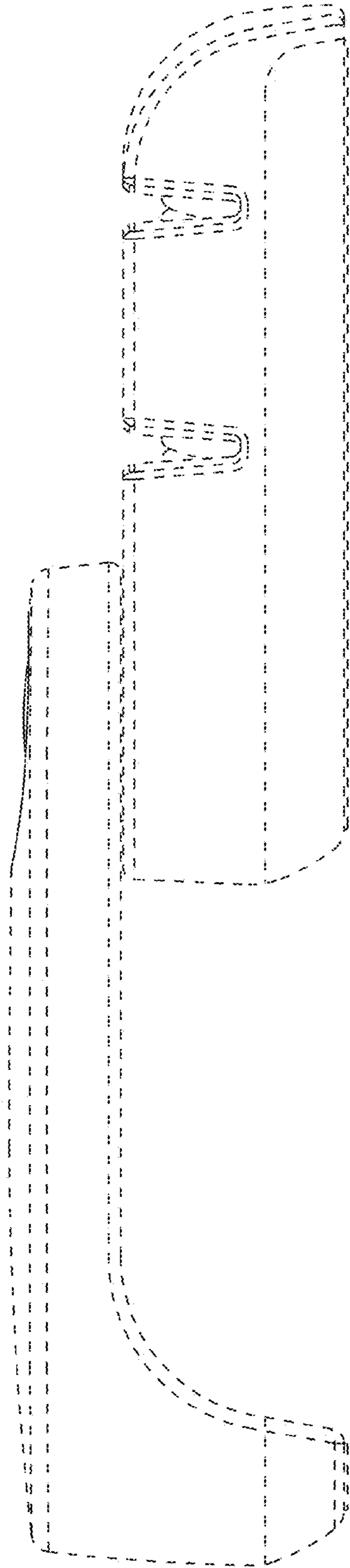


Fig. 4

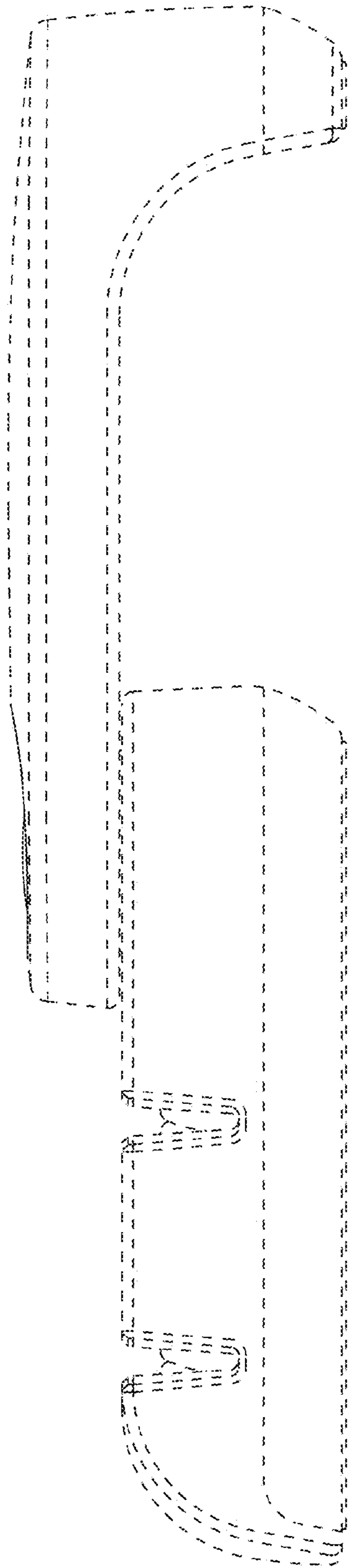


Fig. 5

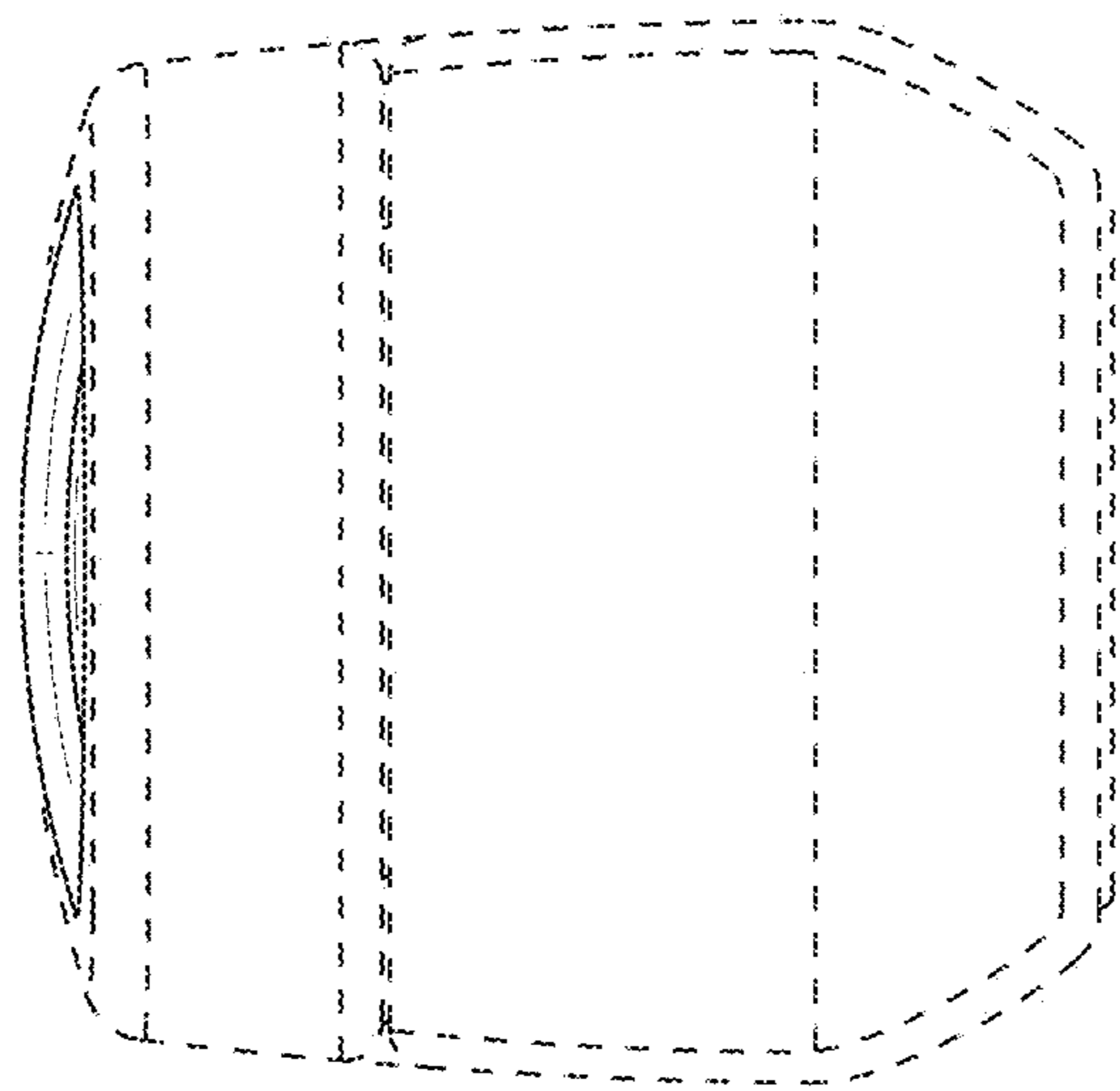


Fig. 6

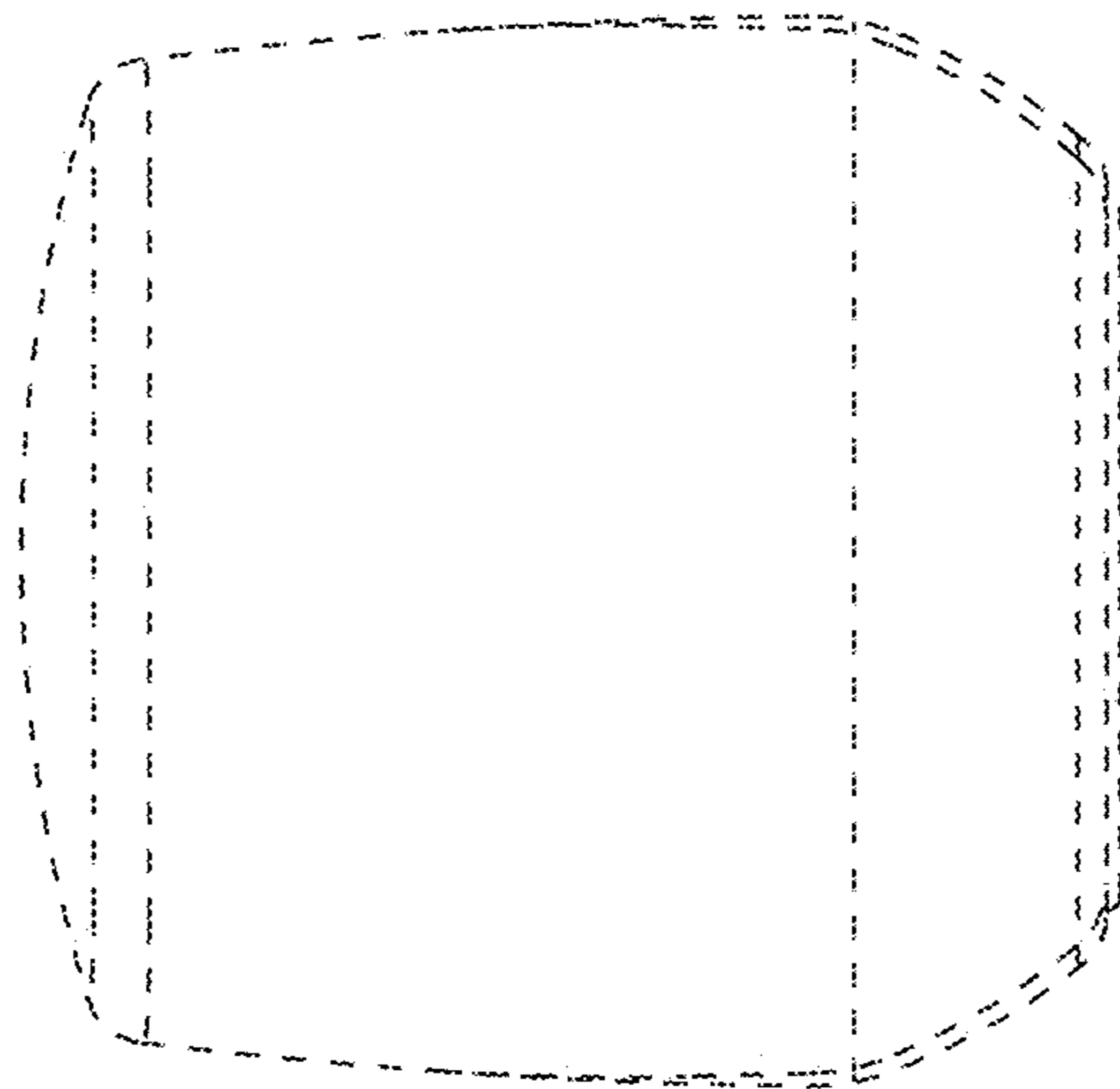


Fig. 7

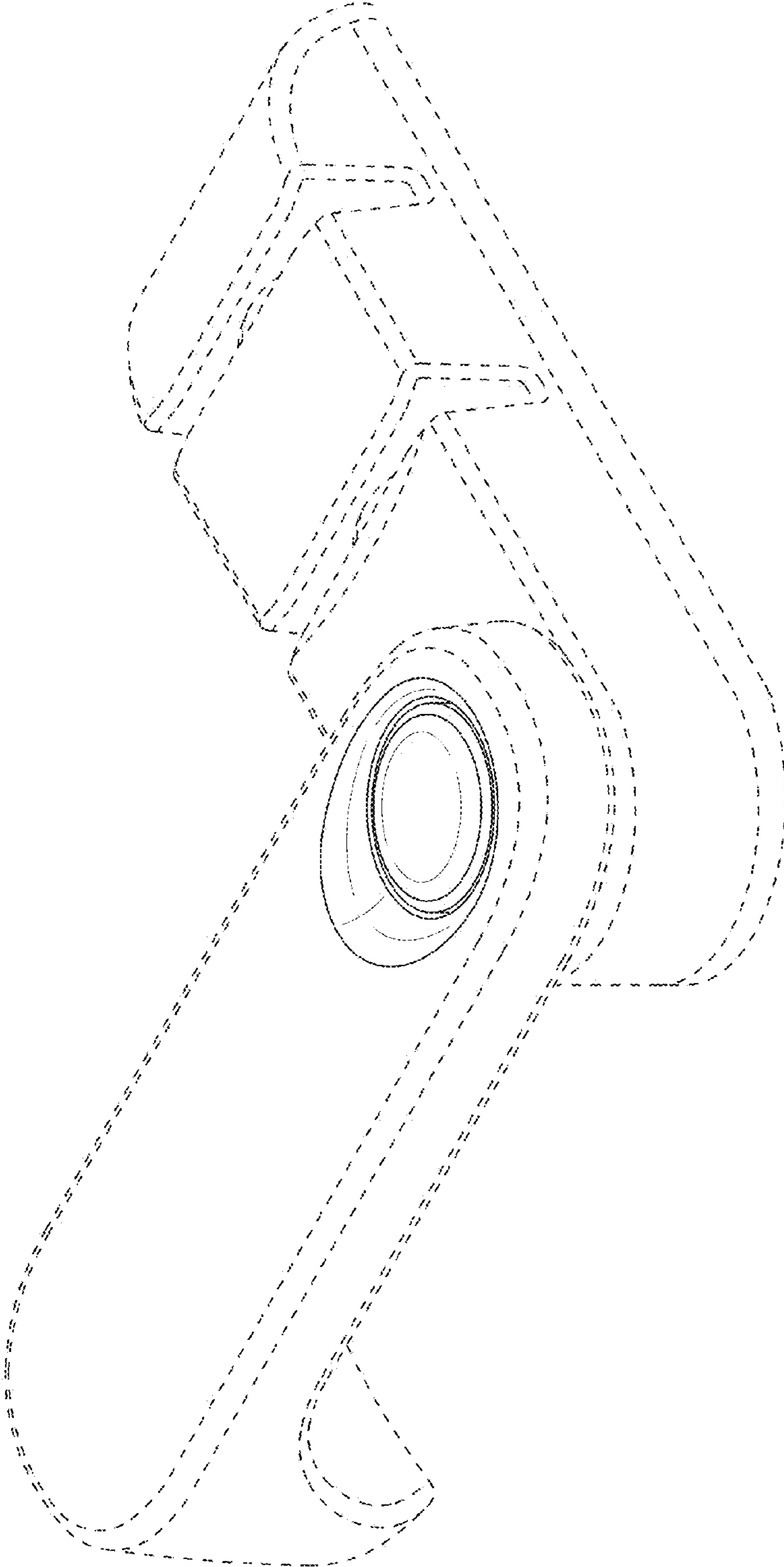


Fig. 8