



US00D765485S

(12) **United States Design Patent** (10) **Patent No.:** **US D765,485 S**
Holst et al. (45) **Date of Patent:** **** Sep. 6, 2016**

(54) **HAMMER DRILL**

(71) Applicant: **Robert Bosch GmbH**, Stuttgart (DE)

(72) Inventors: **Stefan Holst**, Ulm (DE); **Christian Lang**, Stuttgart (DE); **Steffen Baum**, Stuttgart-Degerloch (DE)

(73) Assignee: **Robert Bosch GmbH**, Stuttgart (DE)

(**) Term: **14 Years**

(21) Appl. No.: **29/496,758**

(22) Filed: **Jul. 16, 2014**

(30) **Foreign Application Priority Data**

Jan. 21, 2014 (EM) 002388223

(51) **LOC (10) Cl.** **08-03**

(52) **U.S. Cl.**
USPC **D8/68**

(58) **Field of Classification Search**

USPC D8/14.1, 61-70; 81/429, 454-456, 469, 81/489; 173/104, 114, 168-171, 178, 201, 173/211, 213, 217; 408/20, 124, 125, 234; 388/809

CPC ... B25D 16/003; B25D 16/006; B25D 11/12
See application file for complete search history.

(56) **References Cited**

U.S. PATENT DOCUMENTS

D310,936 S *	10/1990	Saito et al.	D8/67
D320,918 S *	10/1991	Mochida	D8/68
D447,032 S *	8/2001	Schoen et al.	D8/67
D491,438 S *	6/2004	Cheung et al.	D8/68
D502,377 S *	3/2005	Aglassinger	D8/69
D503,079 S *	3/2005	Aglassinger	D8/69
D508,388 S *	8/2005	Aglassinger	D8/69
D515,383 S *	2/2006	Aglassinger	D8/69
D534,407 S *	1/2007	Waldron	D8/69
D555,451 S *	11/2007	Okuda et al.	D8/69
D594,304 S *	6/2009	Aglassinger	D8/67
D615,838 S *	5/2010	Aglassinger	D8/69

D618,529 S *	6/2010	Stirm	D8/69
D687,279 S *	8/2013	Kuhnle et al.	D8/69
2003/0037937 A1 *	2/2003	Frauhammer et al.	173/48
2006/0060365 A1 *	3/2006	Kunz	173/48

(Continued)

OTHER PUBLICATIONS

Stuart. "Rockwell'S New 12-Volt H3 Rotary Hammer Drill." Tool Guyd., May 19, 2010 [online], [retrieved on Aug. 8, 2015]. Retrieved from the Internet <URL: <http://toolguyd.com/rockwells-new-12-volt-h3-rotary-hammer-drill/>>.*

Stuart. "Bosch RHH181 18V Brushless Rotary Hammer." Tool Guyd., Sep. 20, 2013 [online], [retrieved on Aug. 8, 2015]. Retrieved from the Internet <URL: <http://toolguyd.com/bosch-rhh181-18v-brushless-rotary-hammer/>>.*

(Continued)

Primary Examiner — Philip S Hyder

Assistant Examiner — Darlington Ly

(74) *Attorney, Agent, or Firm* — Maginot, Moore & Beck LLP

(57) **CLAIM**

The ornamental design for a hammer drill, as shown and described.

DESCRIPTION

FIG. 1 is a perspective view of a hammer drill showing our new design;

FIG. 2 is a right side elevational view showing the design for the hammer drill of FIG. 1;

FIG. 3 is a front elevational view showing the design for the hammer drill of FIG. 1;

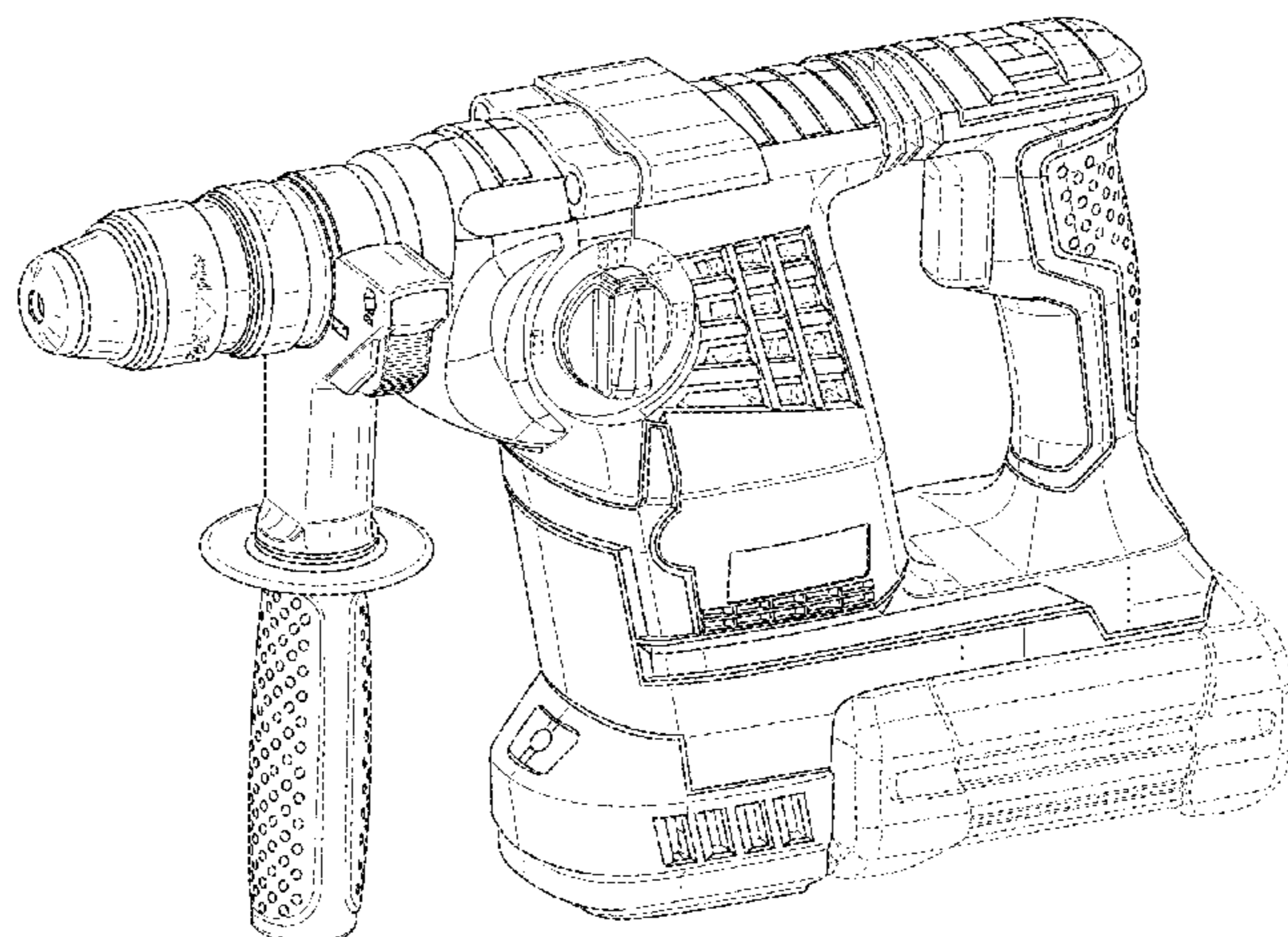
FIG. 4 is a rear elevational view showing the design for the hammer drill of FIG. 1;

FIG. 5 is a top plan view showing the design for the hammer drill of FIG. 1; and,

FIG. 6 is a bottom plan view showing the design for the hammer drill of FIG. 1.

The broken lines shown in the drawings illustrate features of the hammer drill that form no part of the claimed design.

1 Claim, 6 Drawing Sheets



(56)

References Cited

U.S. PATENT DOCUMENTS

2009/0188689 A1* 7/2009 Stirm 173/114
2011/0024149 A1* 2/2011 Hecht et al. 173/162.2
2011/0127056 A1* 6/2011 Friedrich et al. 173/162.2
2013/0043052 A1* 2/2013 Harcar et al. 173/162.2

OTHER PUBLICATIONS

Stuart. "New Dewalt Compact Rotary Hammer D25052K." Tool Guyd., Feb. 20, 2014 [online], [retrieved on Aug. 8, 2015]. Retrieved from the Internet <URL: <http://toolguyd.com/dewalt-compact-rotary-hammer-d25052k/>>.*

* cited by examiner

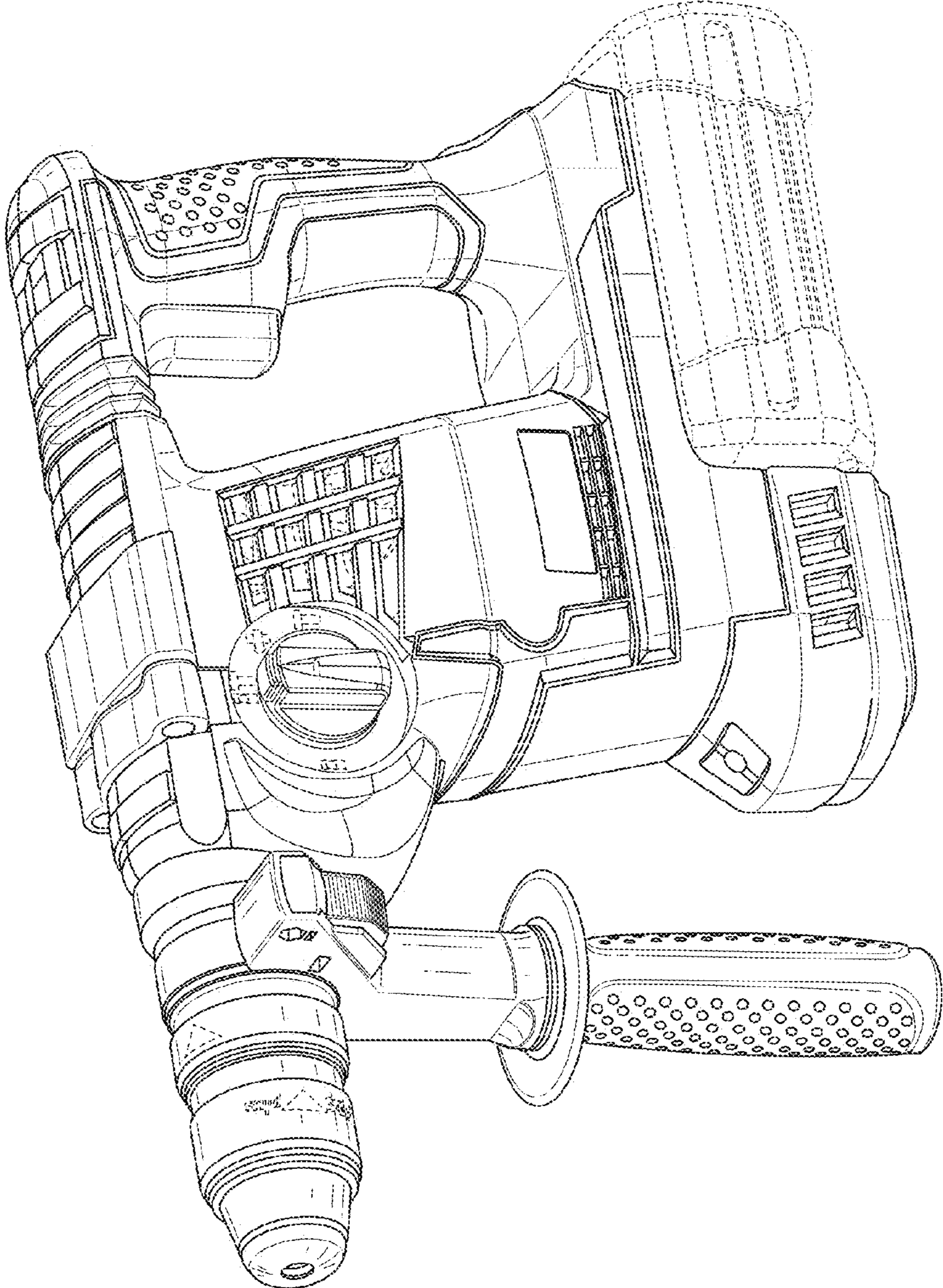


FIG. 1

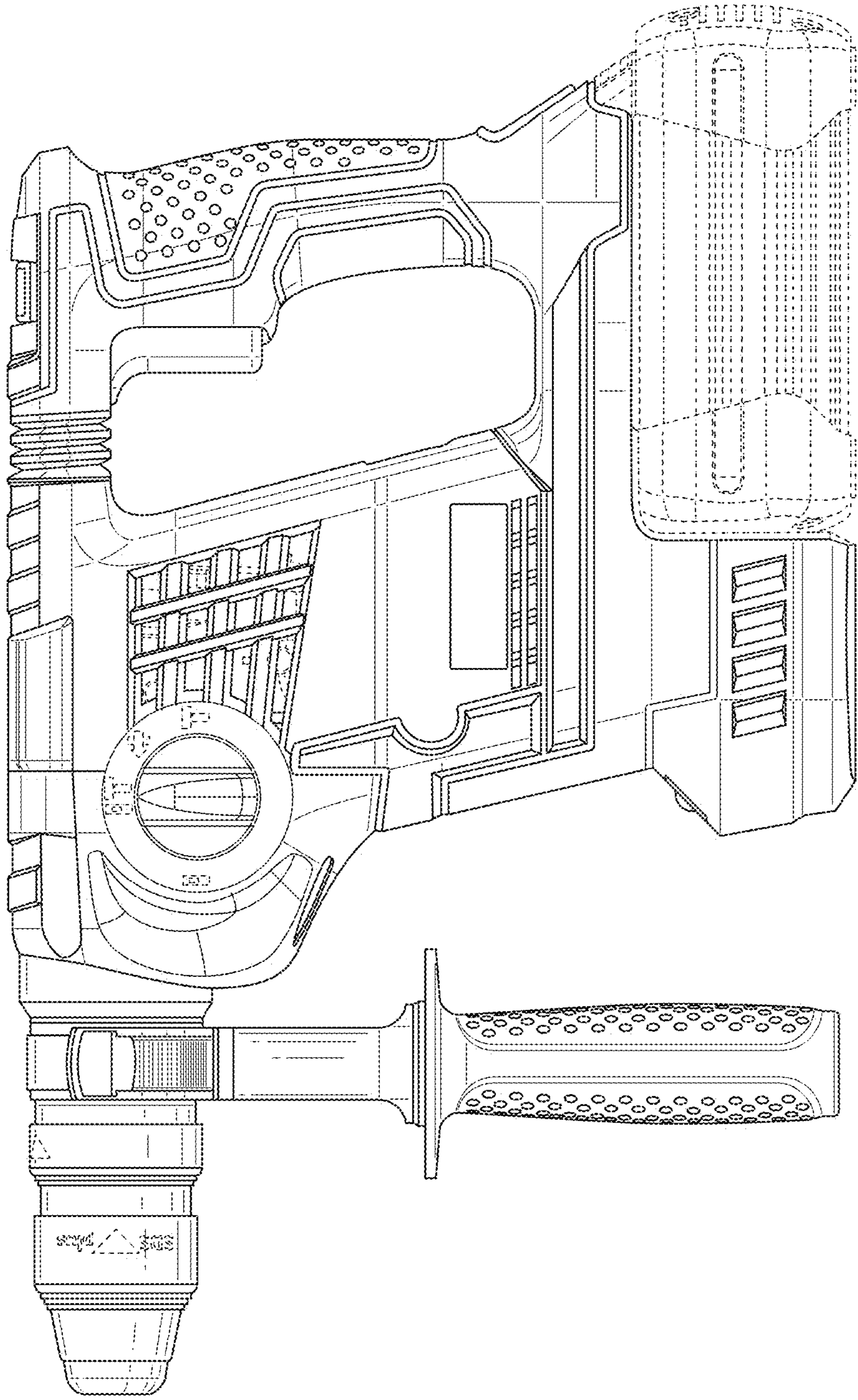


FIG. 2

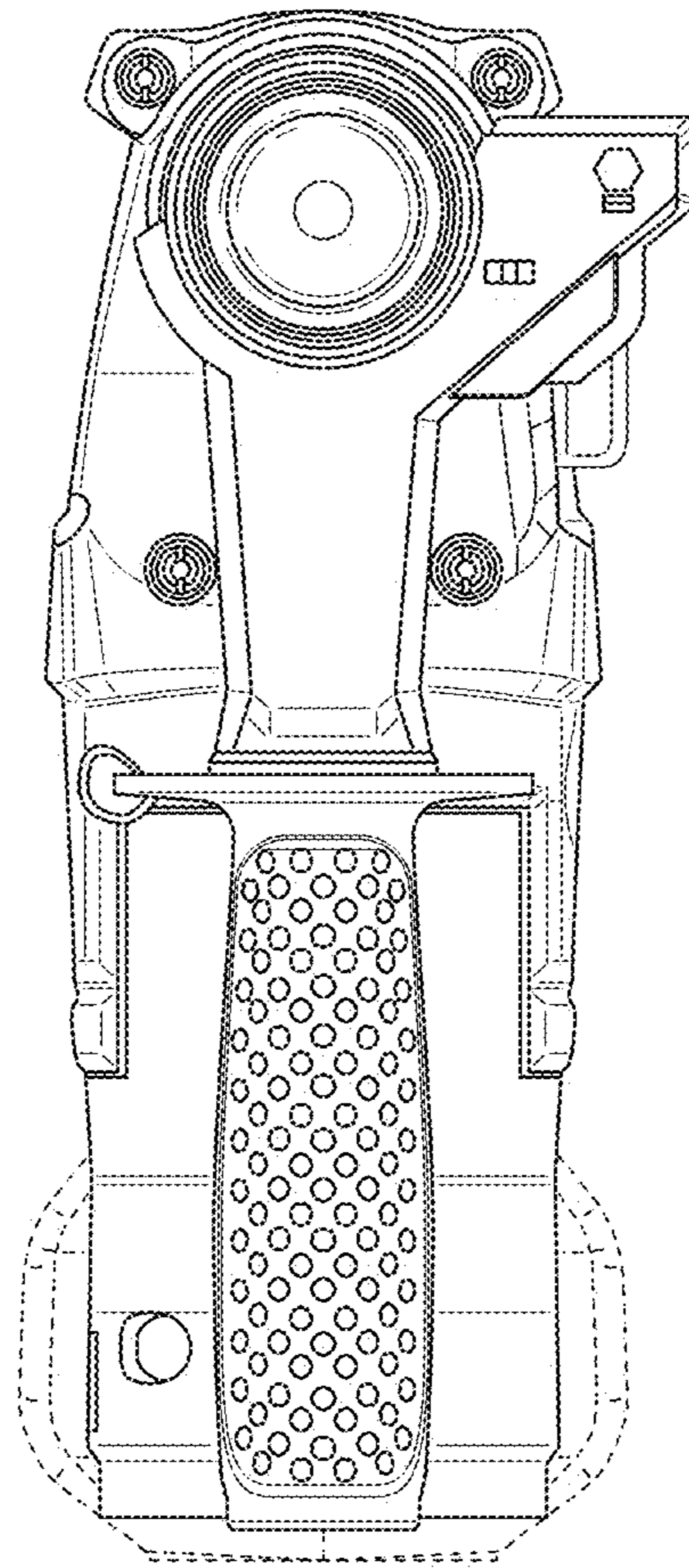


FIG. 3

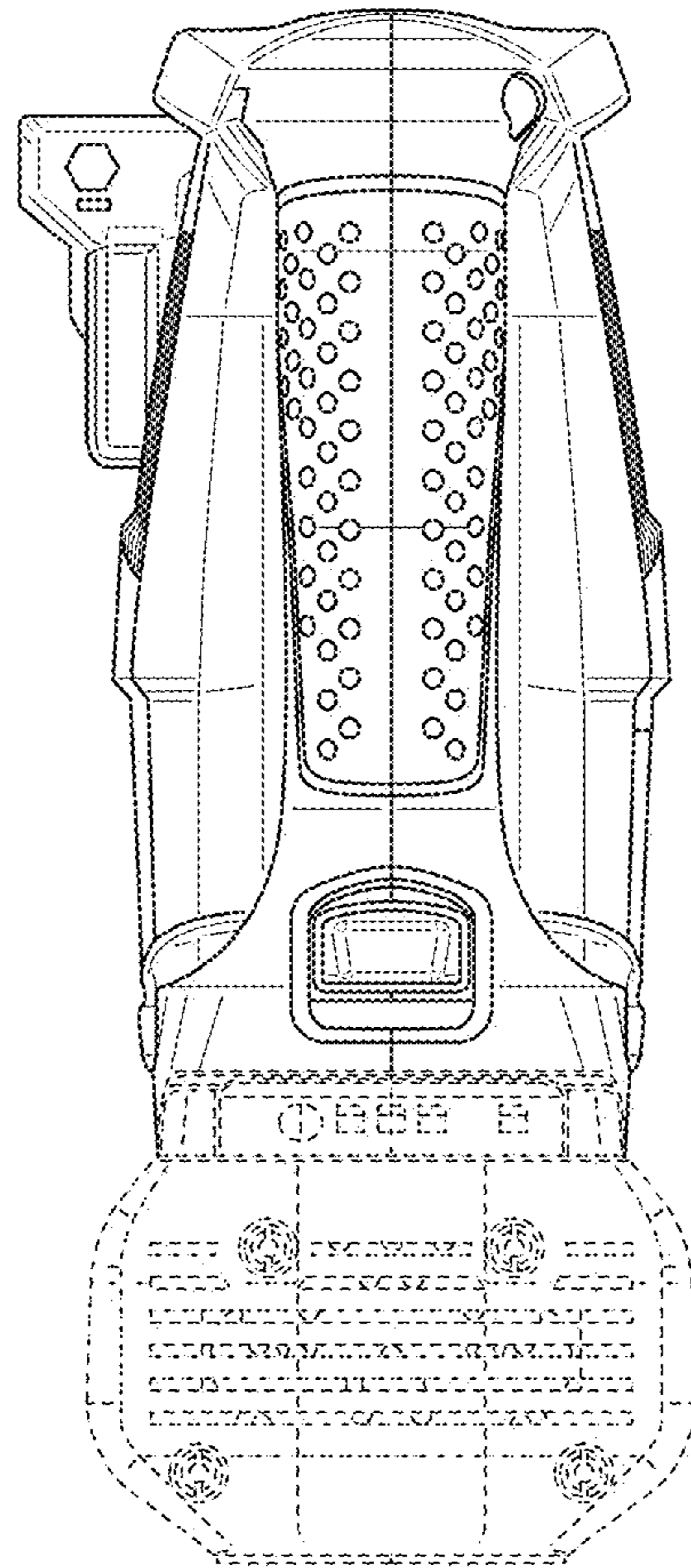


FIG.4

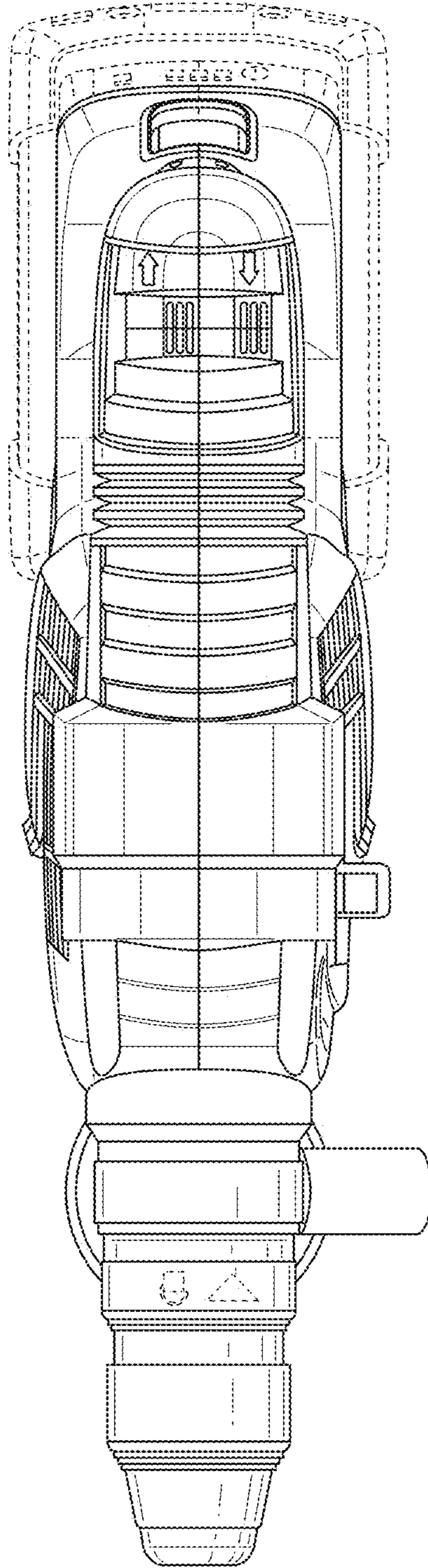


FIG. 5

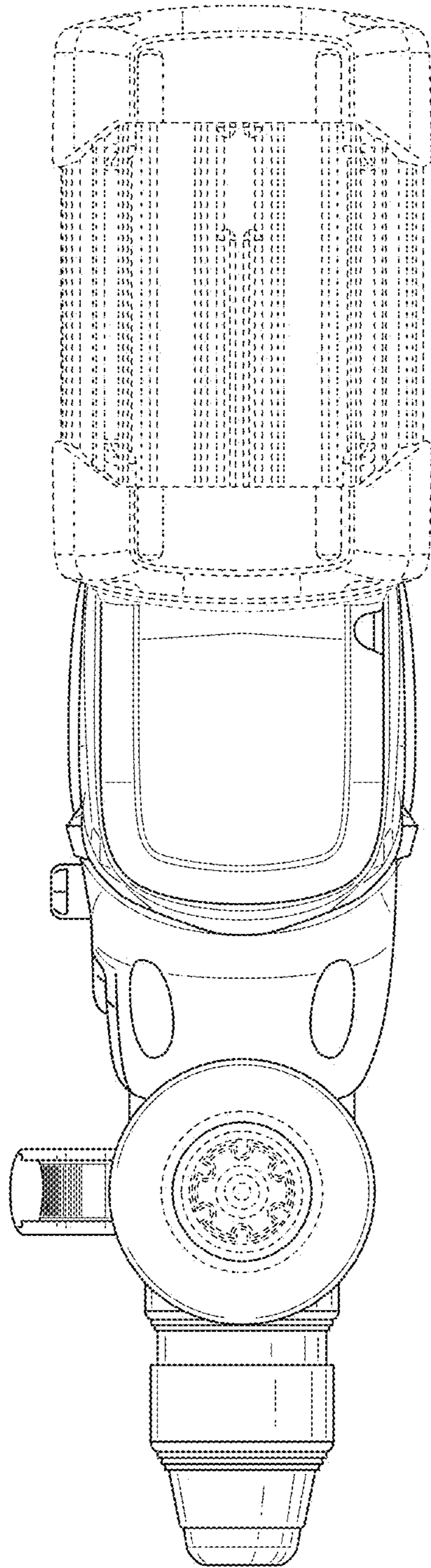


FIG. 6