



US00D765484S

(12) **United States Design Patent**
Inkster

(10) **Patent No.:** **US D765,484 S**

(45) **Date of Patent:** **** Sep. 6, 2016**

(54) **RANDOM ORBITAL SANDER, RANDOM ORBITAL SANDER MECHANISM AND ROTARY SANDING PAD**

D667,285 S * 9/2012 Welsch D8/62
D739,199 S * 9/2015 Finnaes D8/62
D740,635 S * 10/2015 Liaw D8/62

* cited by examiner

(71) Applicant: **Kevin Ross Inkster**, Perth (AU)

Primary Examiner — Austin Murphy

(72) Inventor: **Kevin Ross Inkster**, Perth (AU)

(74) *Attorney, Agent, or Firm* — Taylor English Duma LLP

(**) Term: **14 Years**

(21) Appl. No.: **29/495,952**

(57) **CLAIM**

The ornamental design for a random orbital sander, random orbital sander mechanism and rotary sanding pad, as shown and described.

(22) Filed: **Jul. 8, 2014**

(30) **Foreign Application Priority Data**

DESCRIPTION

May 1, 2014 (AU) 2014901582

(51) **LOC (10) Cl.** **08-01**

(52) **U.S. Cl.**
USPC **D8/62**

(58) **Field of Classification Search**
USPC D32/15, 17, 19; D8/67, 62, 61; D4/102;
451/456, 451, 359, 358, 357, 356, 355,
451/354, 353, 351, 344; 310/50; 173/170
CPC B24B 29/00; B24B 5/00; B24D 5/00;
B24D 9/00; B25F 5/00
See application file for complete search history.

FIG. 1 is a left side view of a random orbital sander, random orbital sander mechanism and rotary sanding pad showing my new design;

FIG. 2 is a front view of a random orbital sander, random orbital sander mechanism and rotary sanding pad;

FIG. 3 is a right side view of a random orbital sander, random orbital sander mechanism and rotary sanding pad;

FIG. 4 is a top view of a random orbital sander, random orbital sander mechanism and rotary sanding pad;

FIG. 5 is a back view of a random orbital sander, random orbital sander mechanism and rotary sanding pad;

FIG. 6 is an end view of a random orbital sander, random orbital sander mechanism and rotary sanding pad (showing attached sanding paper abrasive); and,

FIG. 7 is a right isometric view of a random orbital sander, random orbital sander mechanism and rotary sanding pad.

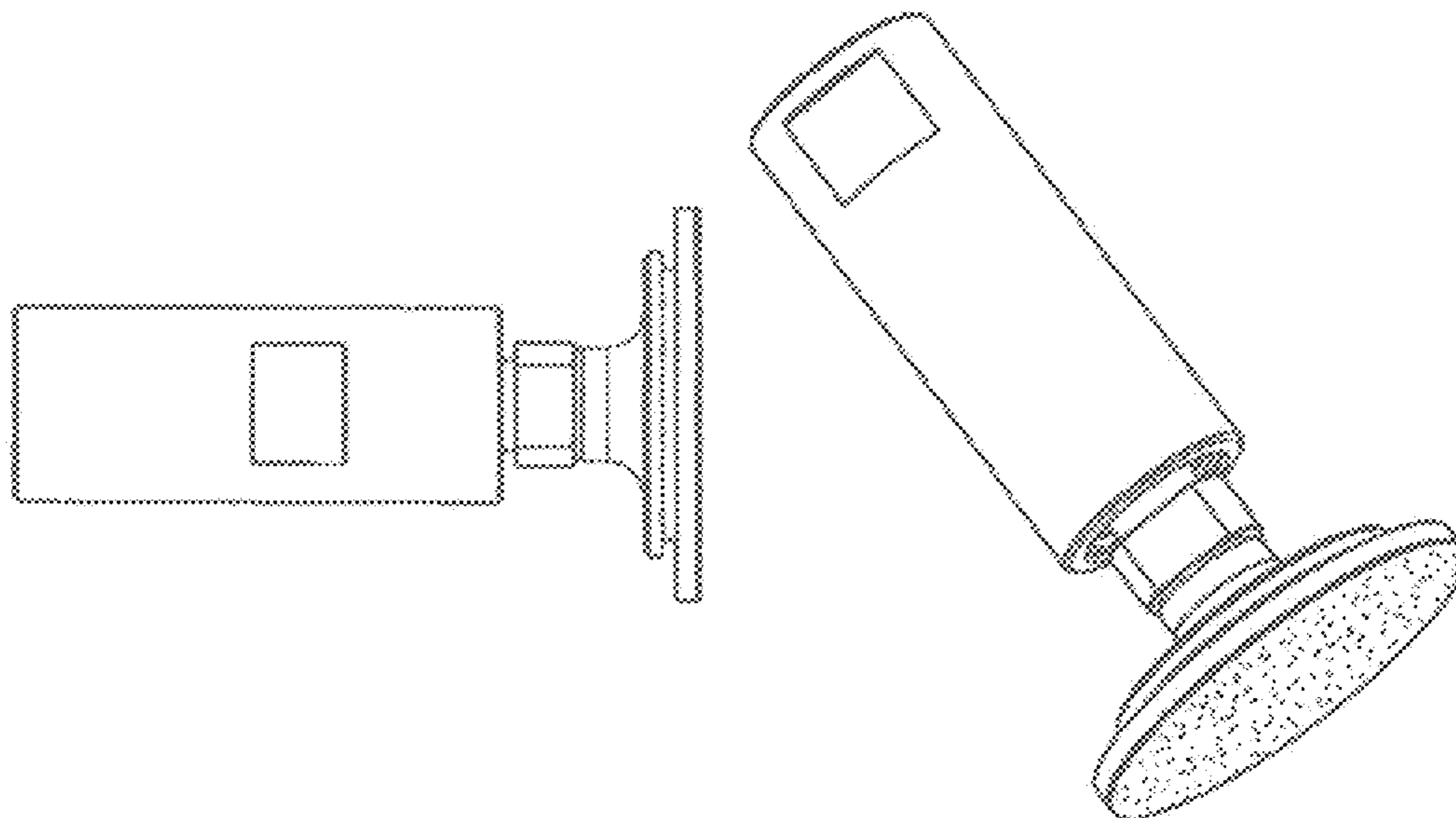
The random orbital sander, random orbital sander mechanism and rotary sanding pad embodying the design is for shaping, sanding, and finishing contoured surfaces and can be an attachment for power saws such as angle grinders.

(56) **References Cited**

U.S. PATENT DOCUMENTS

D490,675 S * 6/2004 Liao D8/61
D506,662 S * 6/2005 Watson D8/62
D540,638 S * 4/2007 Concari D8/62
D557,580 S * 12/2007 Aglassinger D8/62
D566,503 S * 4/2008 Leasure D8/62
D568,703 S * 5/2008 Jiang D8/62
D585,258 S * 1/2009 Nojiri D8/62

1 Claim, 2 Drawing Sheets



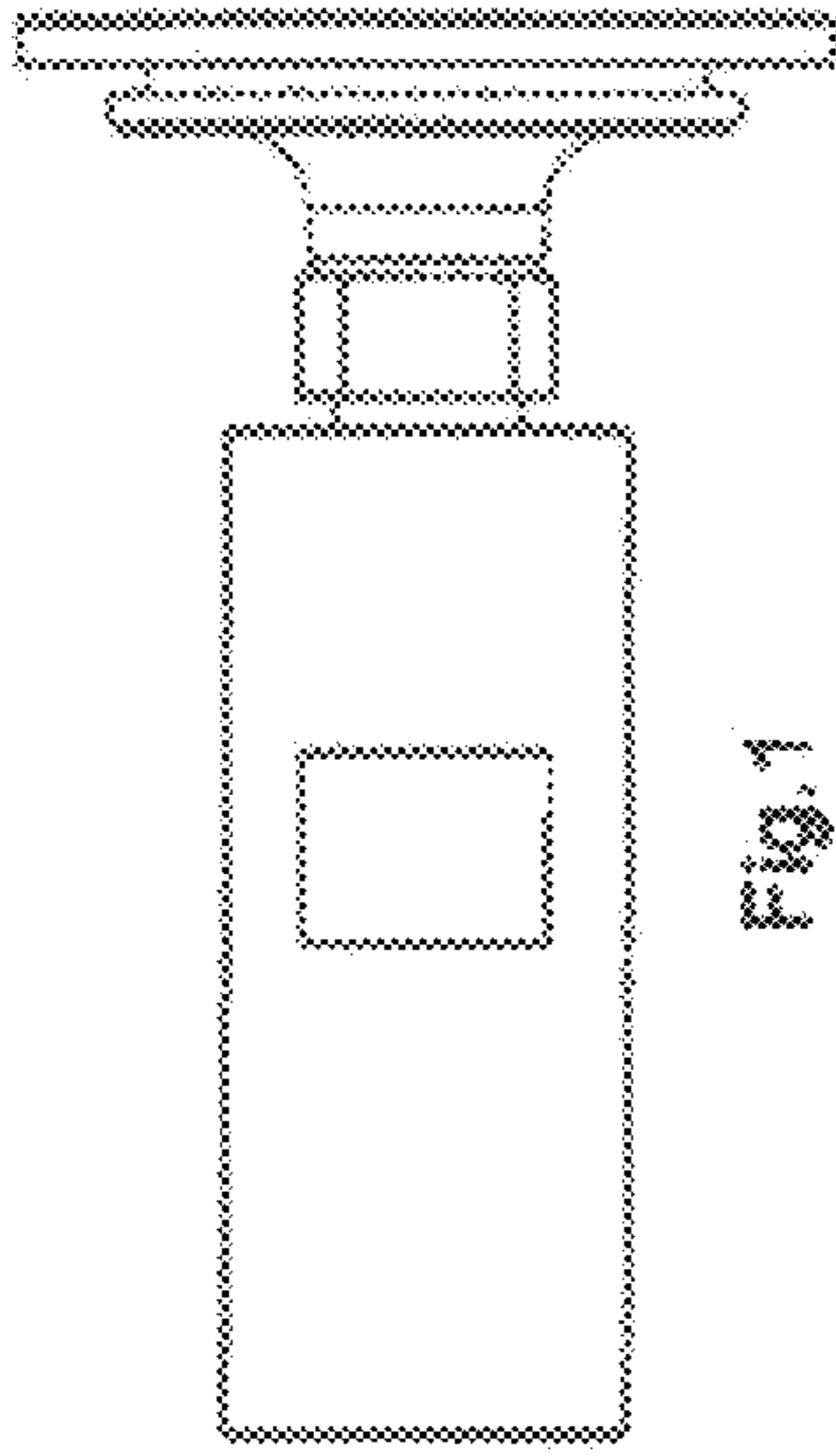


Fig. 1

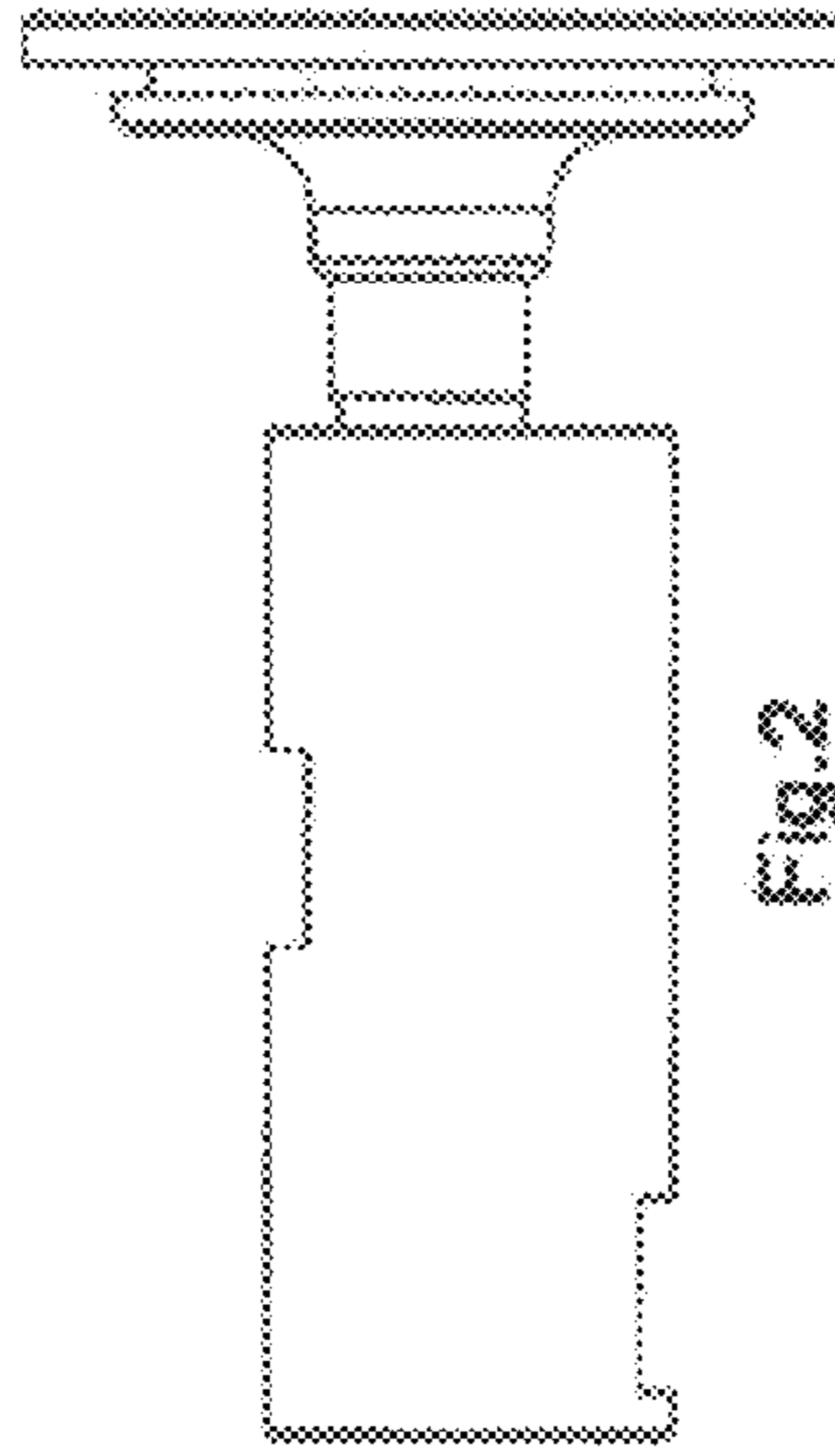


Fig. 2

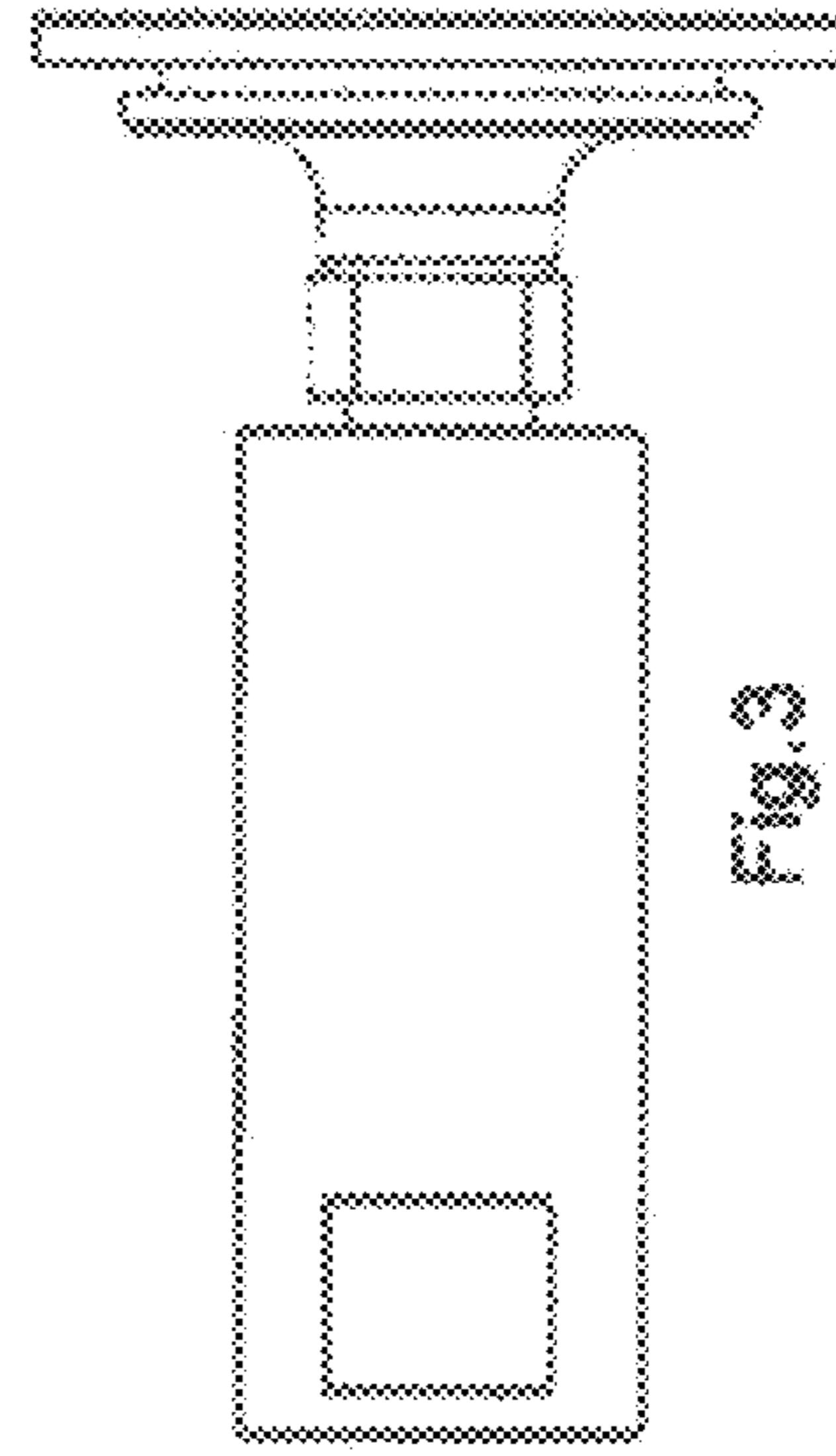


Fig. 3

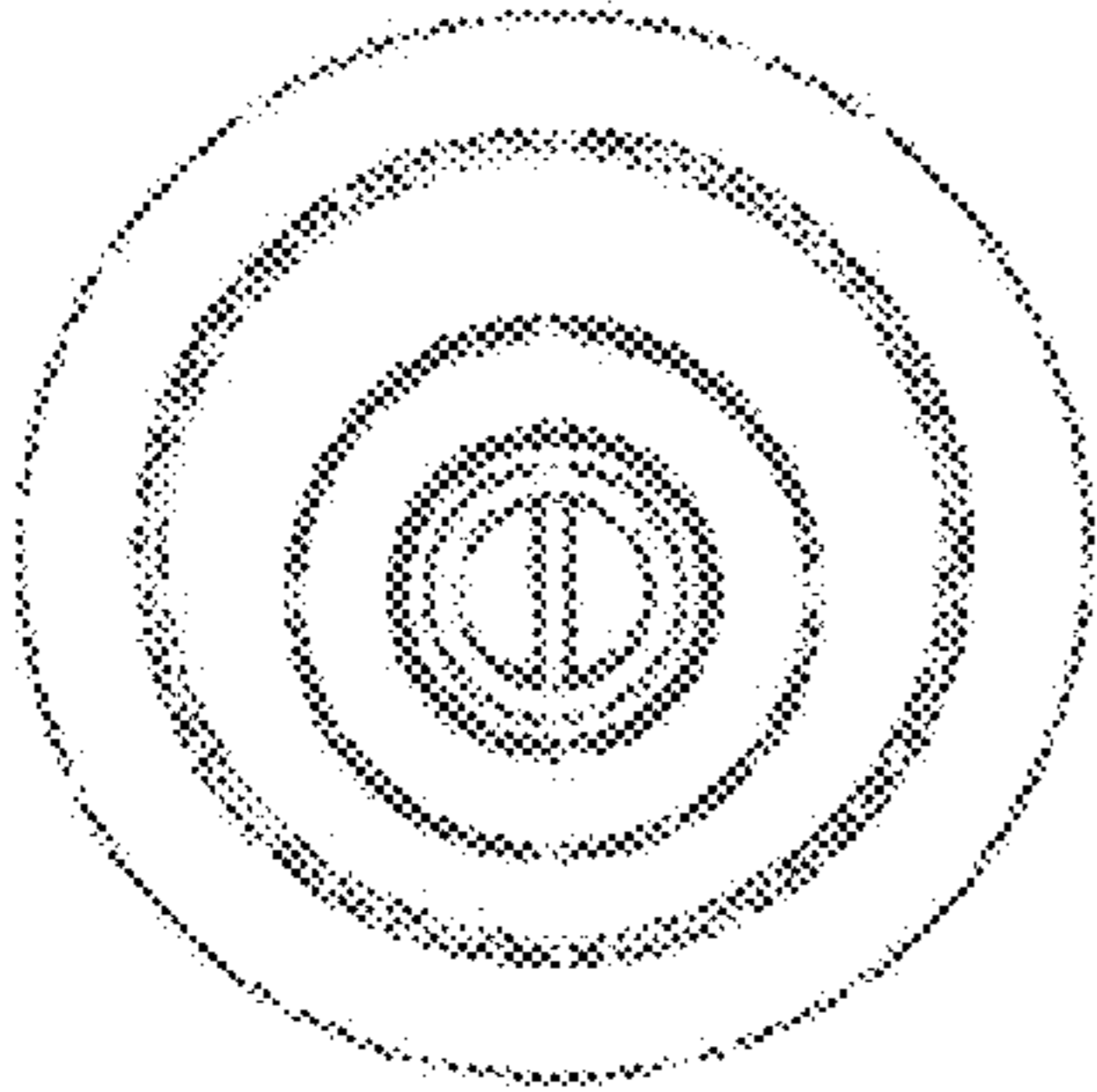


Fig. 4

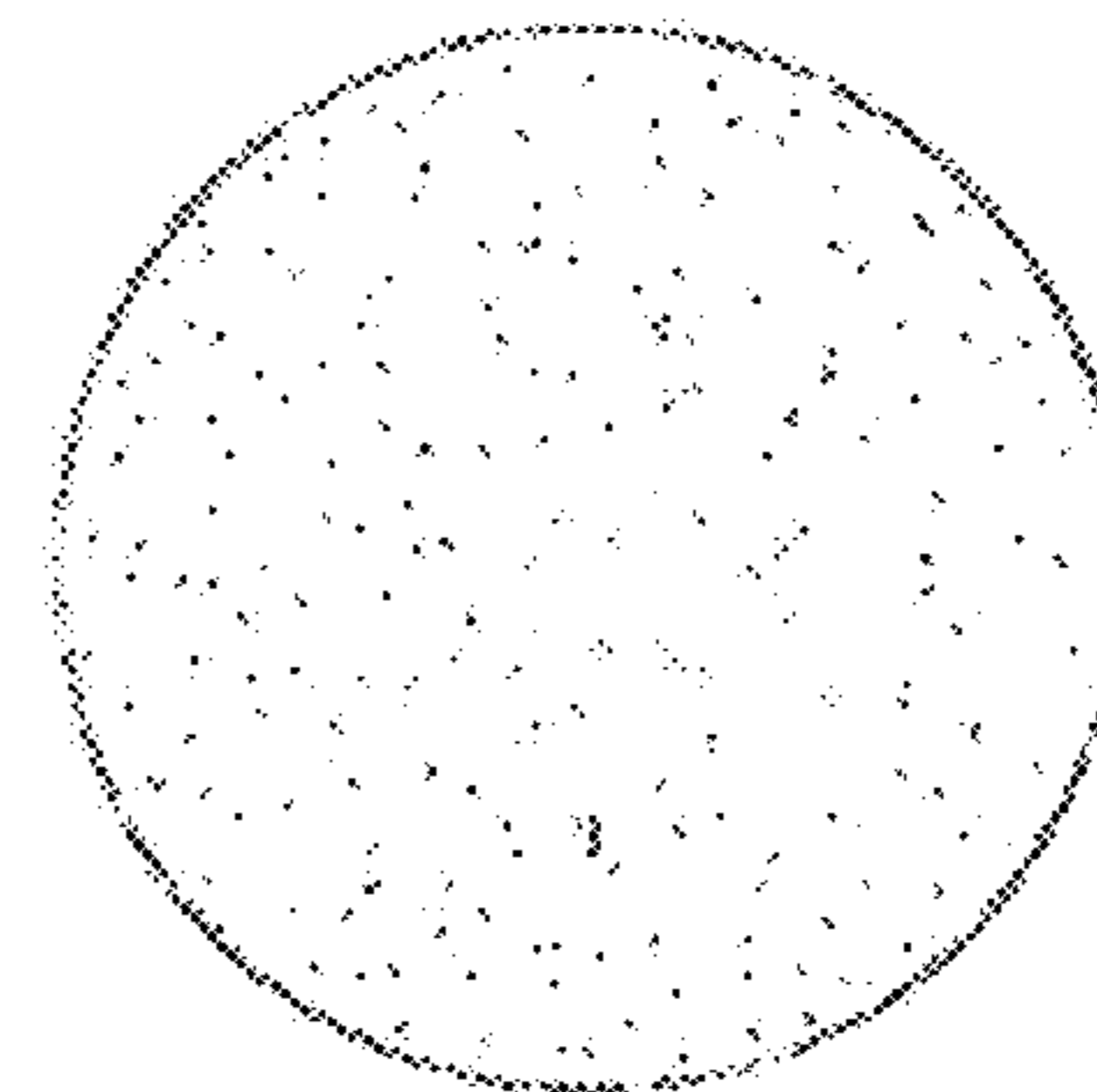


Fig. 6

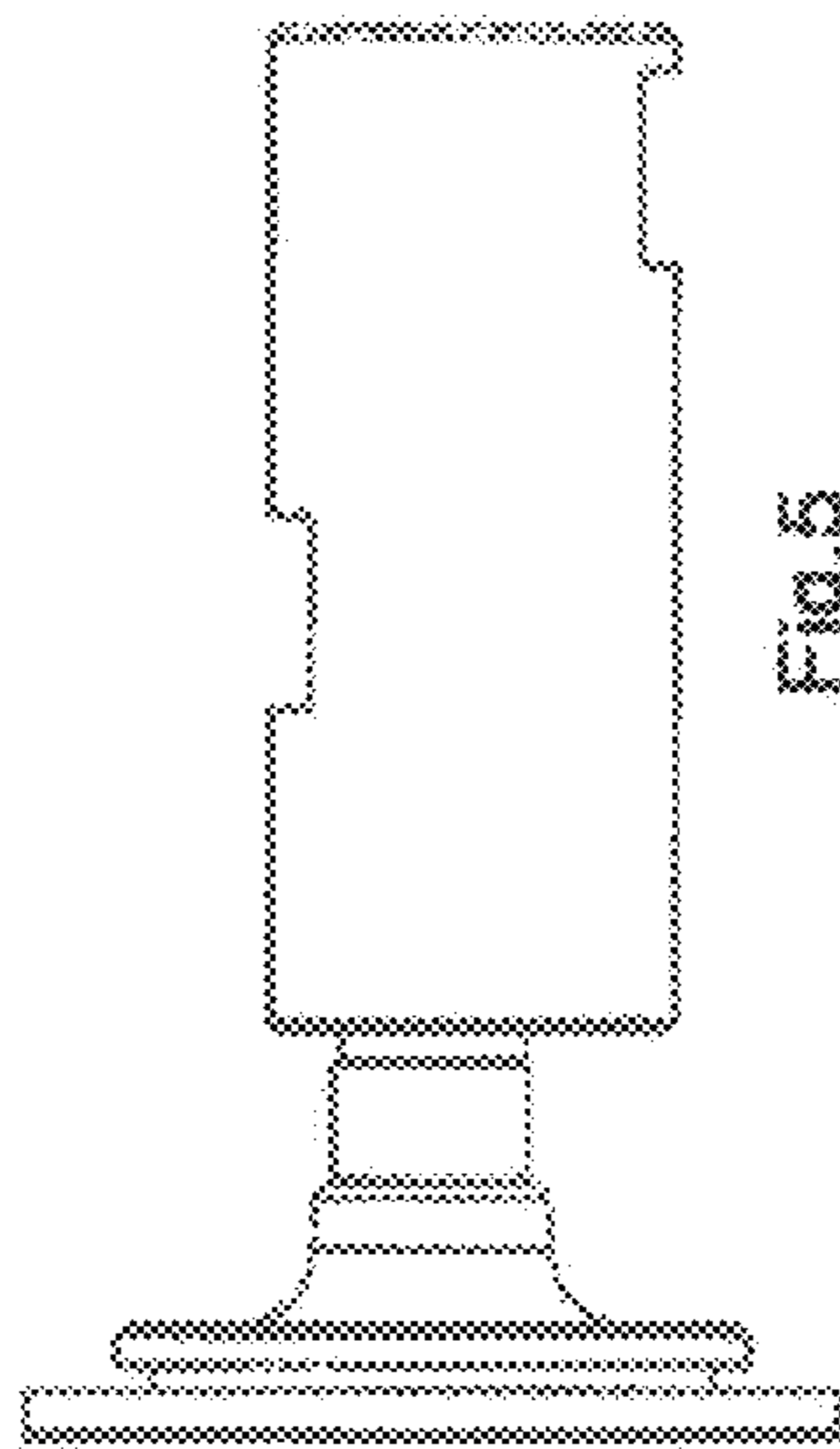


Fig. 5

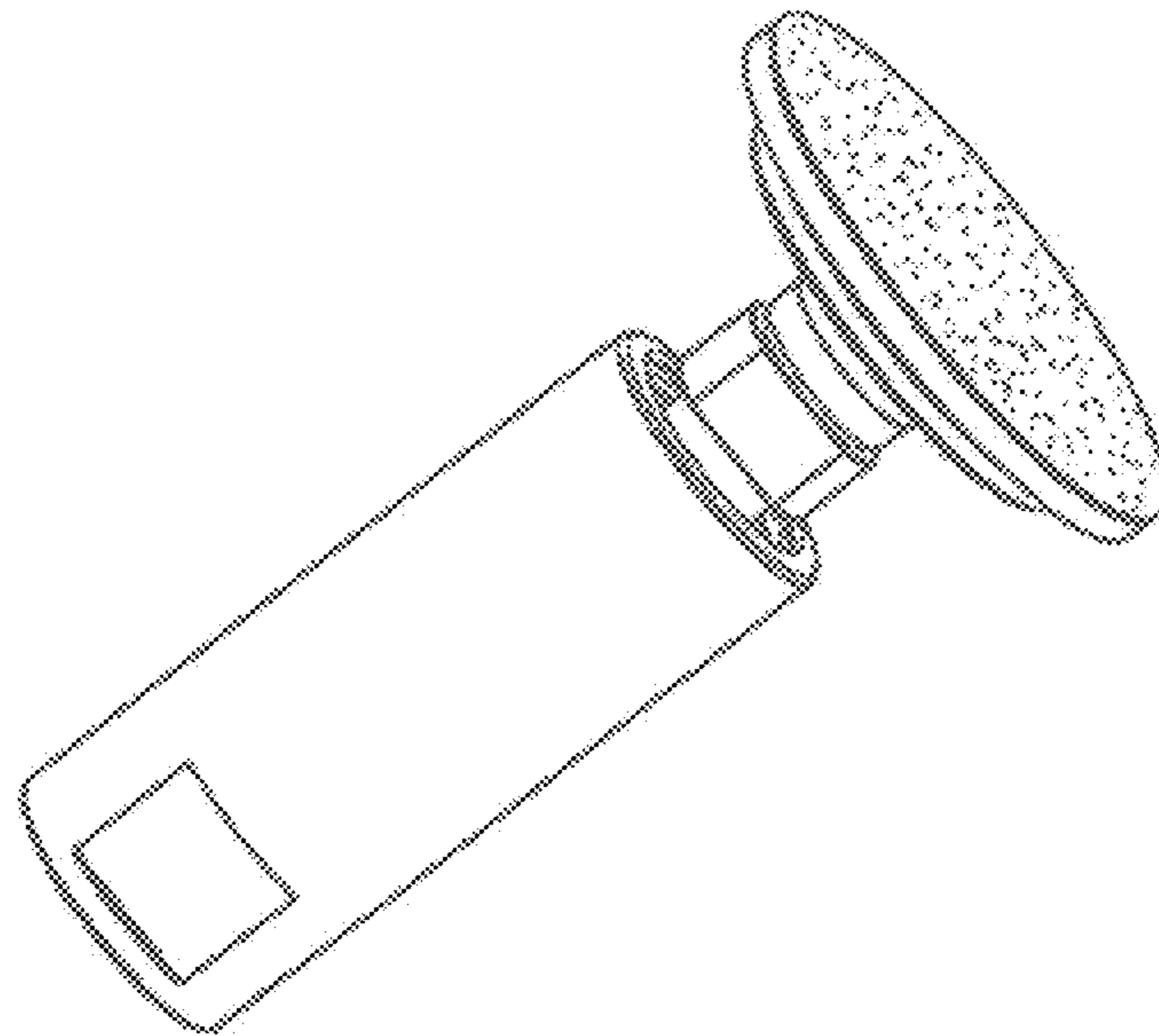


FIG. 7