



US00D765480S

(12) **United States Design Patent** (10) **Patent No.:** **US D765,480 S**
Walden et al. (45) **Date of Patent:** **** Sep. 6, 2016**

(54) **MULTI-HANDLED TOOL**
(71) Applicant: **Bosse Tools LLC**, Phoenix, AZ (US)
(72) Inventors: **Stephen Walden**, Phoenix, AZ (US);
Jason W. Swanson, Tempe, AZ (US)
(73) Assignee: **Bosse Tools LLC**, Phoenix, AZ (US)
(**) Term: **14 Years**
(21) Appl. No.: **29/511,922**
(22) Filed: **Dec. 15, 2014**

Related U.S. Application Data

(63) Continuation-in-part of application No. 14/258,625, filed on Apr. 22, 2014, now Pat. No. 8,939,484, which is a continuation of application No. 13/754,016, filed on Jan. 30, 2013, now Pat. No. 8,740,272.
(51) **LOC (10) Cl.** **08-01**
(52) **U.S. Cl.**
USPC **D8/10**
(58) **Field of Classification Search**
USPC D8/1, 10, 11; D21/532
CPC A01B 1/026; A01B 1/02; A01B 1/20;
A01B 1/22; B25G 1/00; Y10T 16/476;
Y10T 16/4713
See application file for complete search history.

(56) **References Cited**

U.S. PATENT DOCUMENTS

3,014,750 A * 12/1961 Briggs A01B 1/026
294/58
D242,520 S * 11/1976 Nollar D8/10
5,133,101 A * 7/1992 Hauser A47L 13/24
15/143.1
D377,300 S * 1/1997 von Essen D8/10
5,695,231 A * 12/1997 Hoffman A01B 1/026
16/426
D617,159 S * 6/2010 Blanchard D8/10

2004/0154132 A1* 8/2004 Ritrovato B25G 1/10
16/430
2008/0196205 A1* 8/2008 Hixon A01B 1/026
16/426
2009/0167038 A1* 7/2009 Claypool A47F 13/08
294/178
2012/0324676 A1* 12/2012 Guerra A01B 1/026
16/426

OTHER PUBLICATIONS

Bosse Tools Ergonomic Shovel Saves You From Injury, Fixes Your Posture, image post date Sep. 19, 2013, site visited on Jan. 10, 2016, <<http://www.coolthings.com/bosse-tools-ergonomic-shovel/>>.*
Bosse Ergonomic Adjustable Snow Shovel, image post date Dec. 1, 2014, site visited on Jan. 10, 2016, <<http://oddiy.com/bosse-ergonomic-adjustable-snow-shovel/>>.*

* cited by examiner

Primary Examiner — Ian Simmons
Assistant Examiner — Ieisha Price
(74) *Attorney, Agent, or Firm* — Schmeiser, Olsen & Watts LLP

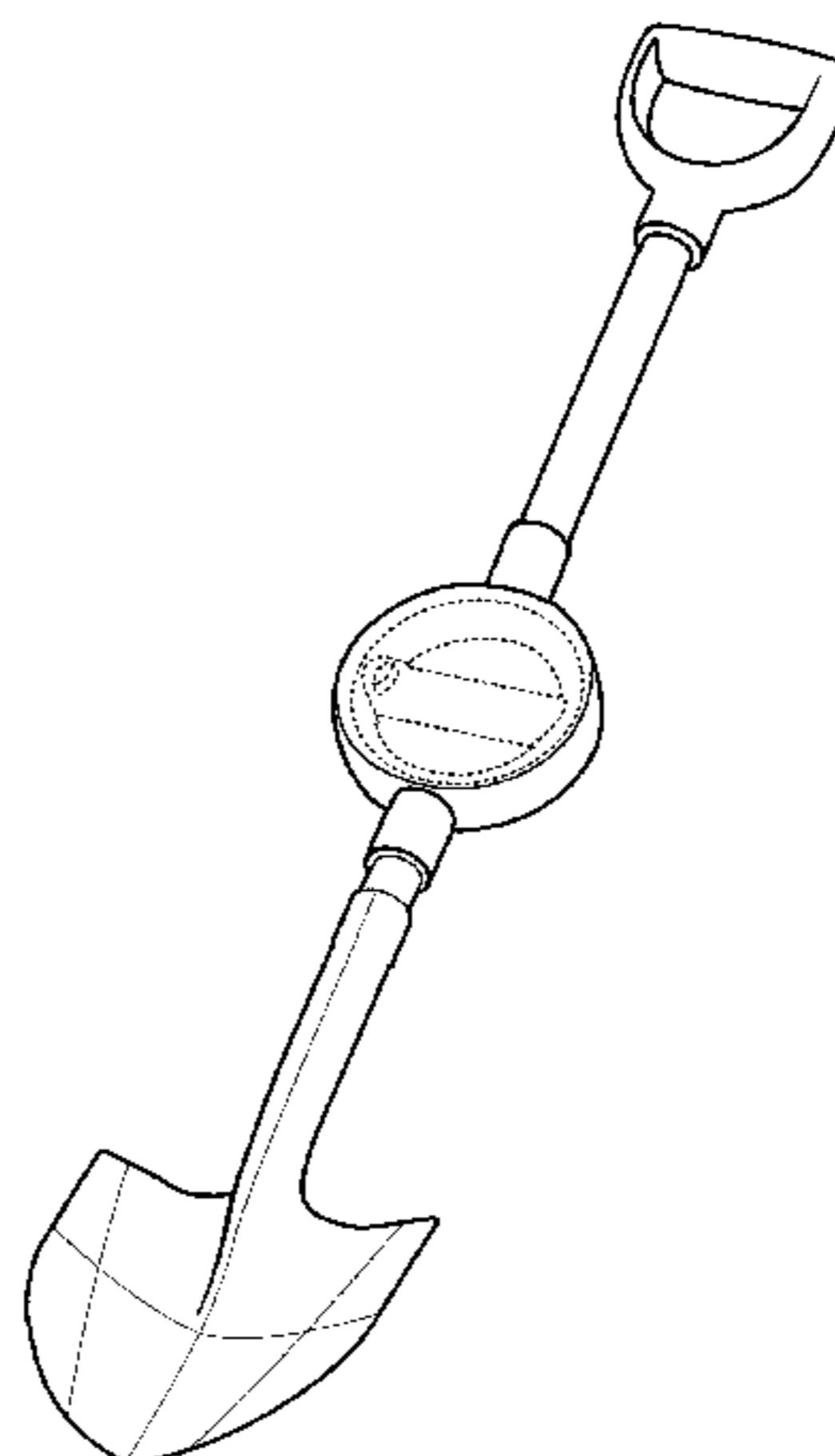
(57) **CLAIM**

We claim, the ornamental design for a multi-handled tool, as shown and described.

DESCRIPTION

FIG. 1 is a perspective view of the multi-handled tool; FIG. 2 is a front view of the multi-handled tool; FIG. 3 is a back view of the multi-handled tool; FIG. 4 is a right side view of the multi-handled tool; FIG. 5 is a left side view of the multi-handled tool; FIG. 6 is an enlarged top view of the multi-handled tool; and, FIG. 7 is an enlarged bottom view of the multi-handled tool. The broken lines in the drawings illustrate portions of the multi-handled tool that form no part of the claimed design. The thin lines located on the blade portion of the shove indicate contours and form no part of the claimed design.

1 Claim, 5 Drawing Sheets



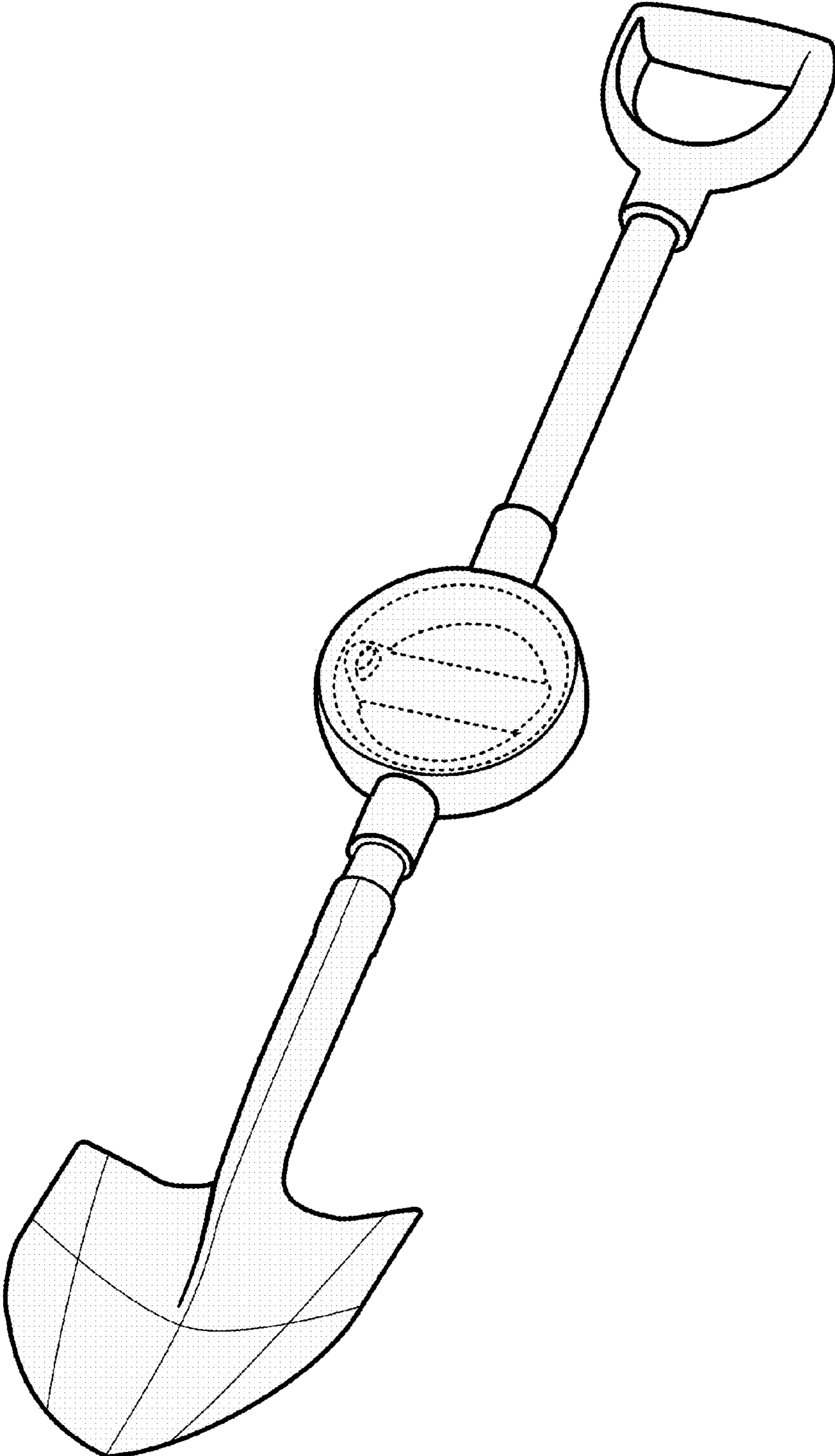


Fig. 1

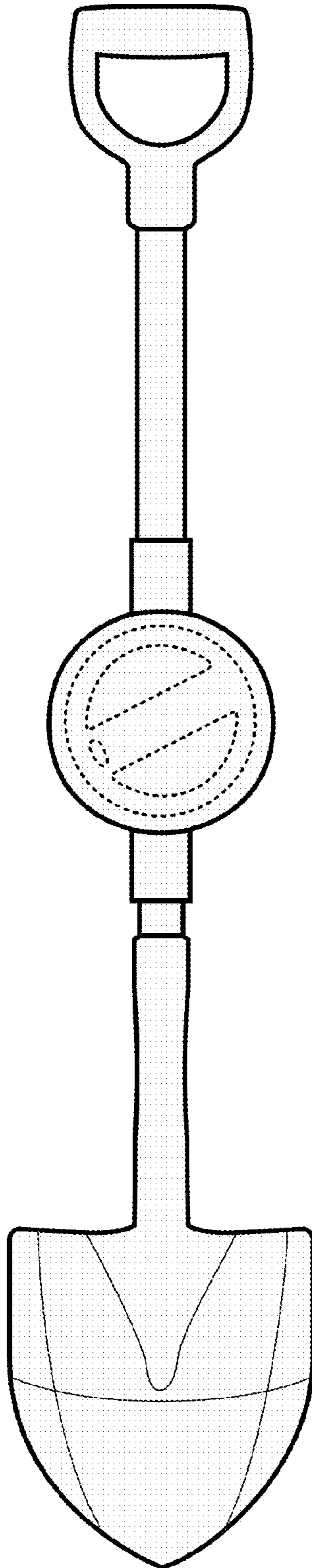


Fig. 2

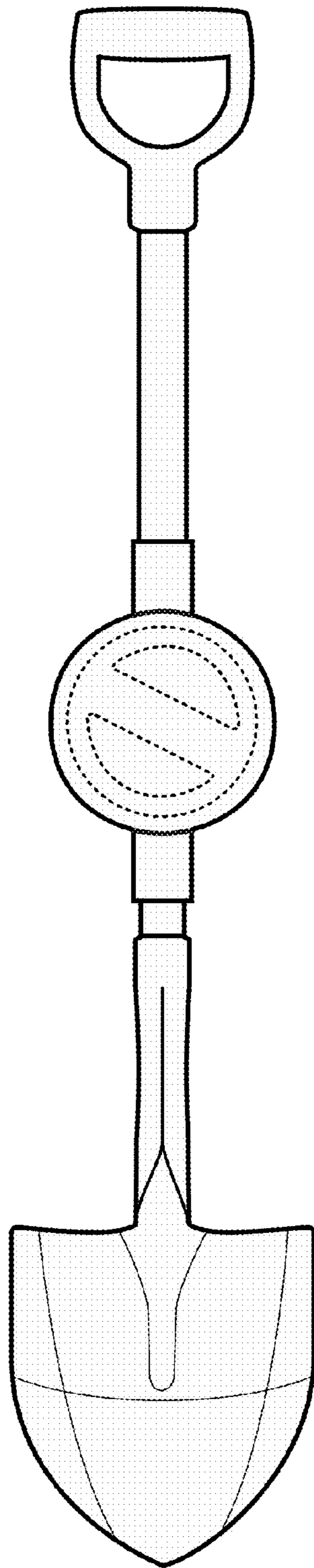


Fig. 3

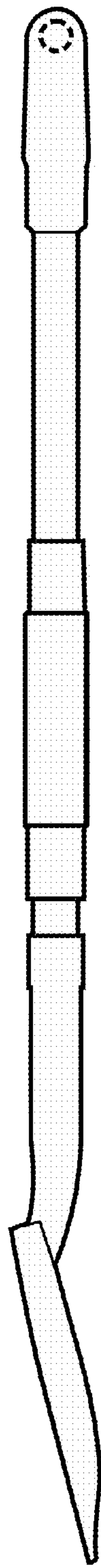


Fig. 4

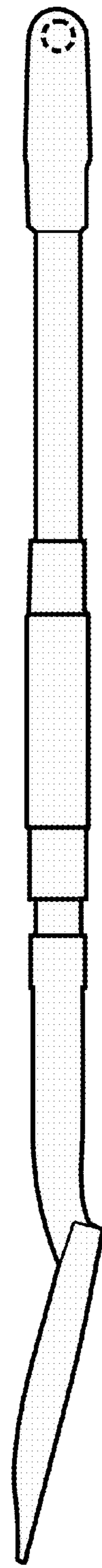


Fig. 5

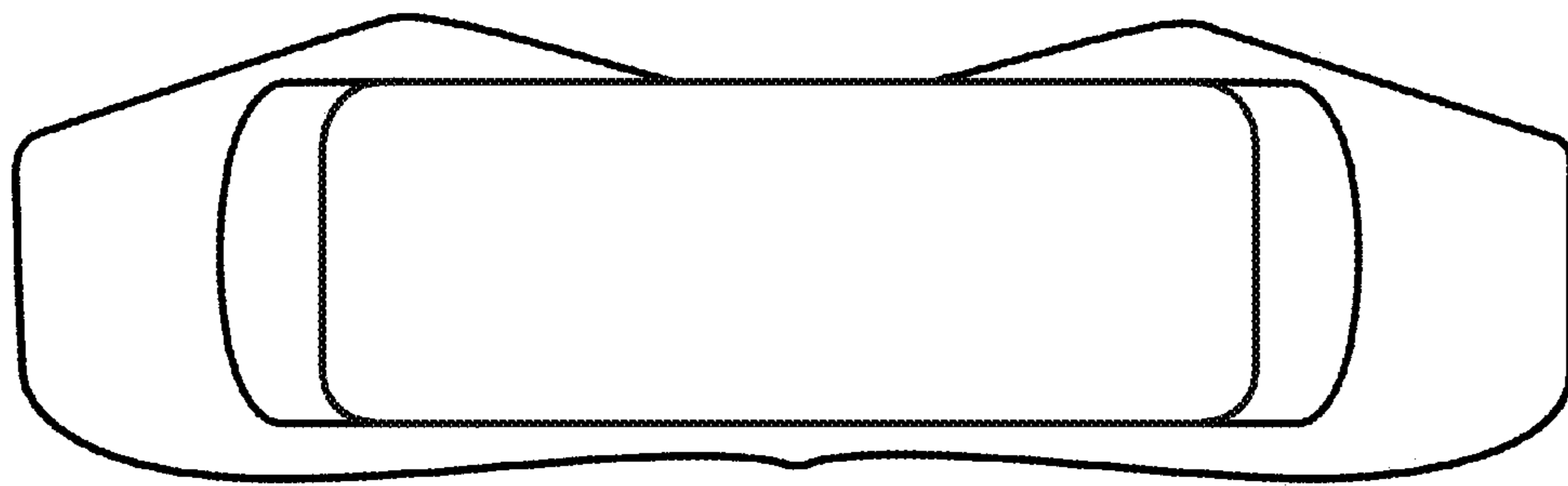


Fig. 6

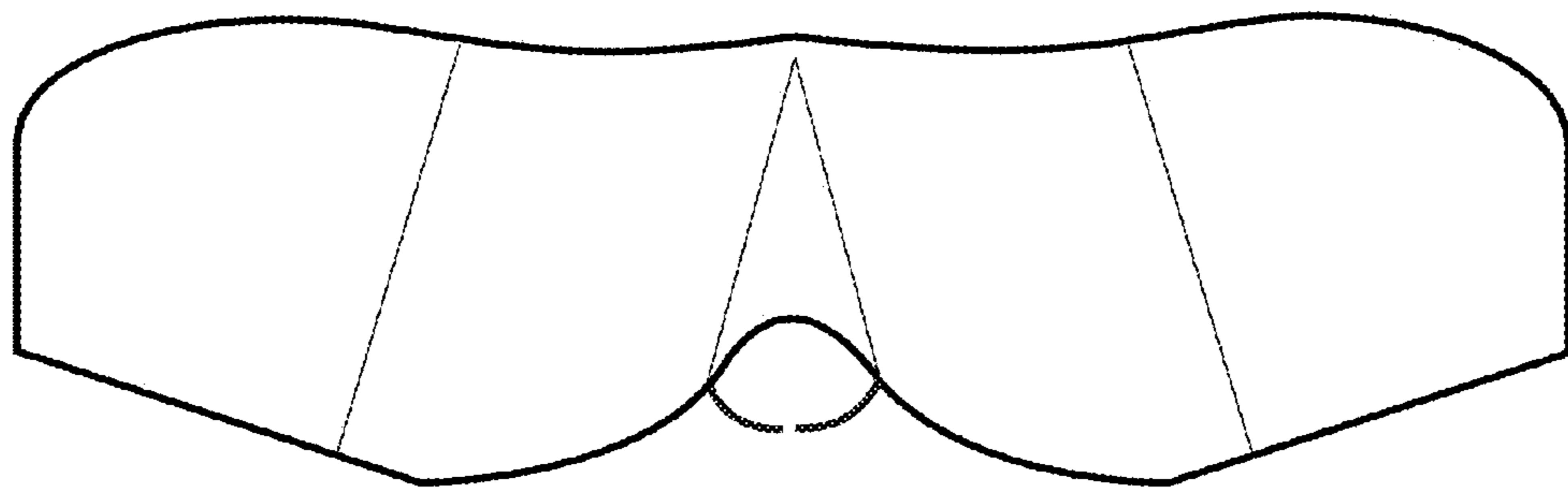


Fig. 7