

US00D765477S

(12) **United States Design Patent**
Camilotto

(10) **Patent No.:** **US D765,477 S**

(45) **Date of Patent:** **** *Sep. 6, 2016**

(54) **BOTTLE STAND**

(71) Applicant: **ELITE TO BE S.R.L.**, Sacile (IT)

(72) Inventor: **Ruggero Camilotto**, Aviano (IT)

(73) Assignee: **ELITE TO BE S.R.L.**, Sacile (IT)

(*) Notice: This patent is subject to a terminal disclaimer.

(**) Term: **14 Years**

(21) Appl. No.: **29/509,031**

(22) Filed: **Nov. 13, 2014**

(30) **Foreign Application Priority Data**

May 16, 2014 (EM) 002465302-0001

(51) **LOC (10) Cl.** **07-06**

(52) **U.S. Cl.**

USPC **D7/701**

(58) **Field of Classification Search**

USPC D6/514, 570, 571, 699.1, 705.7;
D7/507, 600.4, 602, 619.1, 701;
D30/131

CPC A47B 73/00; A47F 5/01; A47F 7/02;
A47F 7/283; A47G 23/08; B01L 9/06

See application file for complete search history.

(56) **References Cited**

U.S. PATENT DOCUMENTS

1,263,110 A * 4/1918 Reckers A47F 5/01
131/239
2,324,575 A * 7/1943 Groedel B65D 35/56
248/108

2,338,969 A * 1/1944 Robinson A47B 73/002
211/181.1
2,897,975 A * 8/1959 Rubenstein A47F 5/01
211/106
D382,140 S * 8/1997 Loflin D20/10
D406,217 S * 3/1999 Campbell D34/24
D426,117 S * 6/2000 Howitt D7/590

* cited by examiner

Primary Examiner — Susan Bennett Hattan

Assistant Examiner — S. Bryan Reinholdt, Jr.

(74) *Attorney, Agent, or Firm* — Oliff PLC

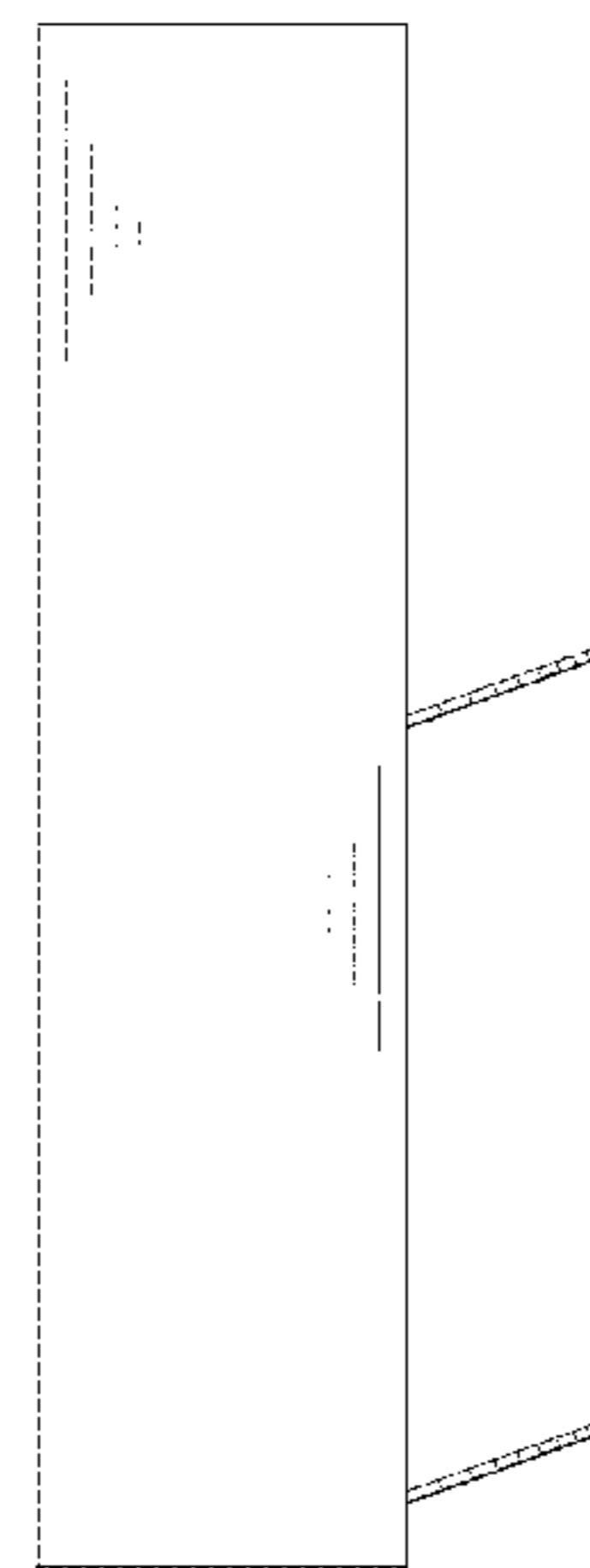
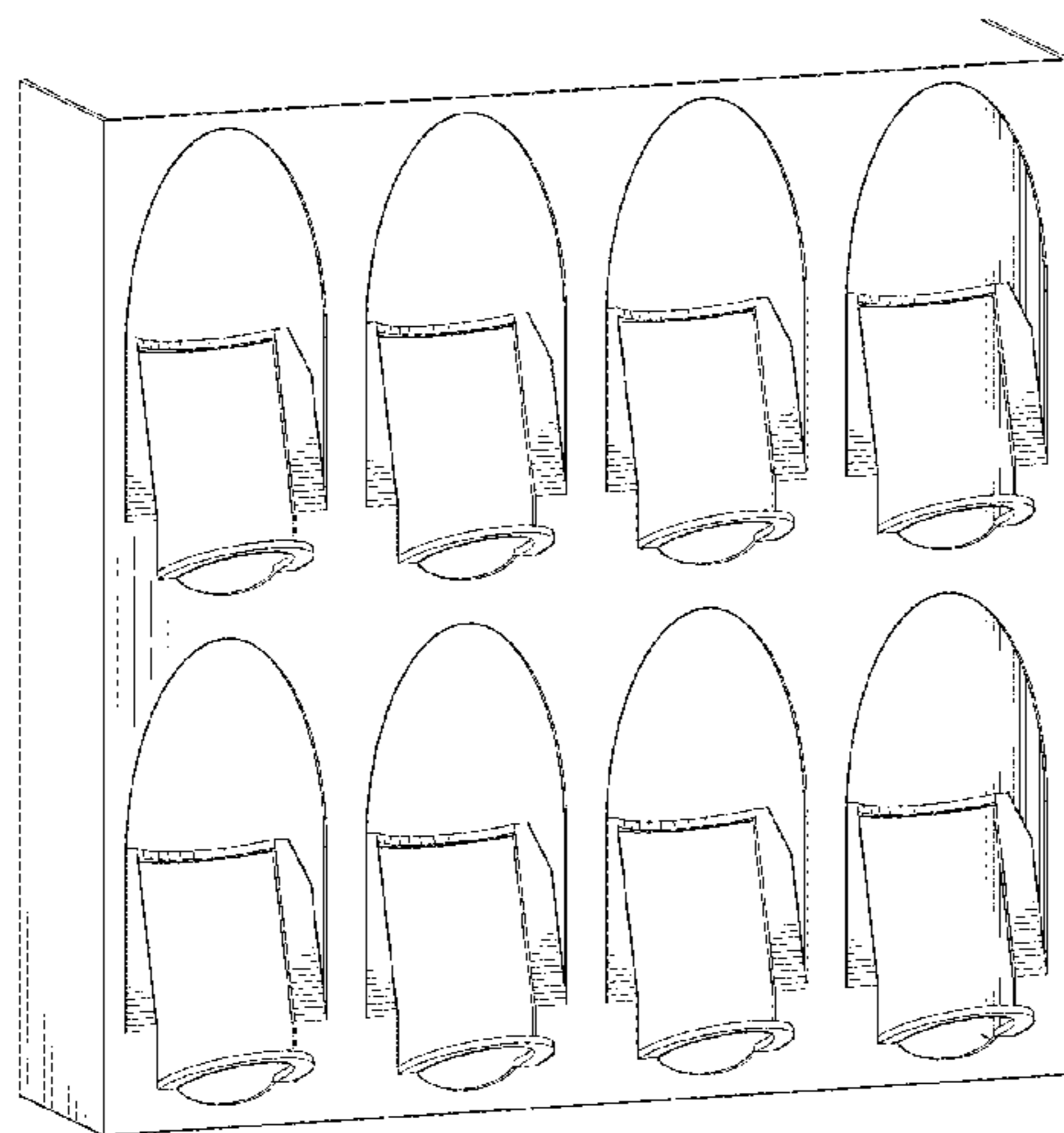
(57) **CLAIM**

The ornamental design for a bottle stand, as shown and described.

DESCRIPTION

FIG. 1 is a front perspective view of the bottle stand;
FIG. 2 is a front elevation view thereof;
FIG. 3 is a top plan view thereof;
FIG. 4 is a left-side elevation view thereof, the right-side elevation being a mirror image thereto;
FIG. 5 is a cross-section view thereof taken in the direction of line 5-5 in FIG. 2;
FIG. 6 is a rear elevation view thereof; and,
FIG. 7 is a bottom plan view thereof.

1 Claim, 4 Drawing Sheets



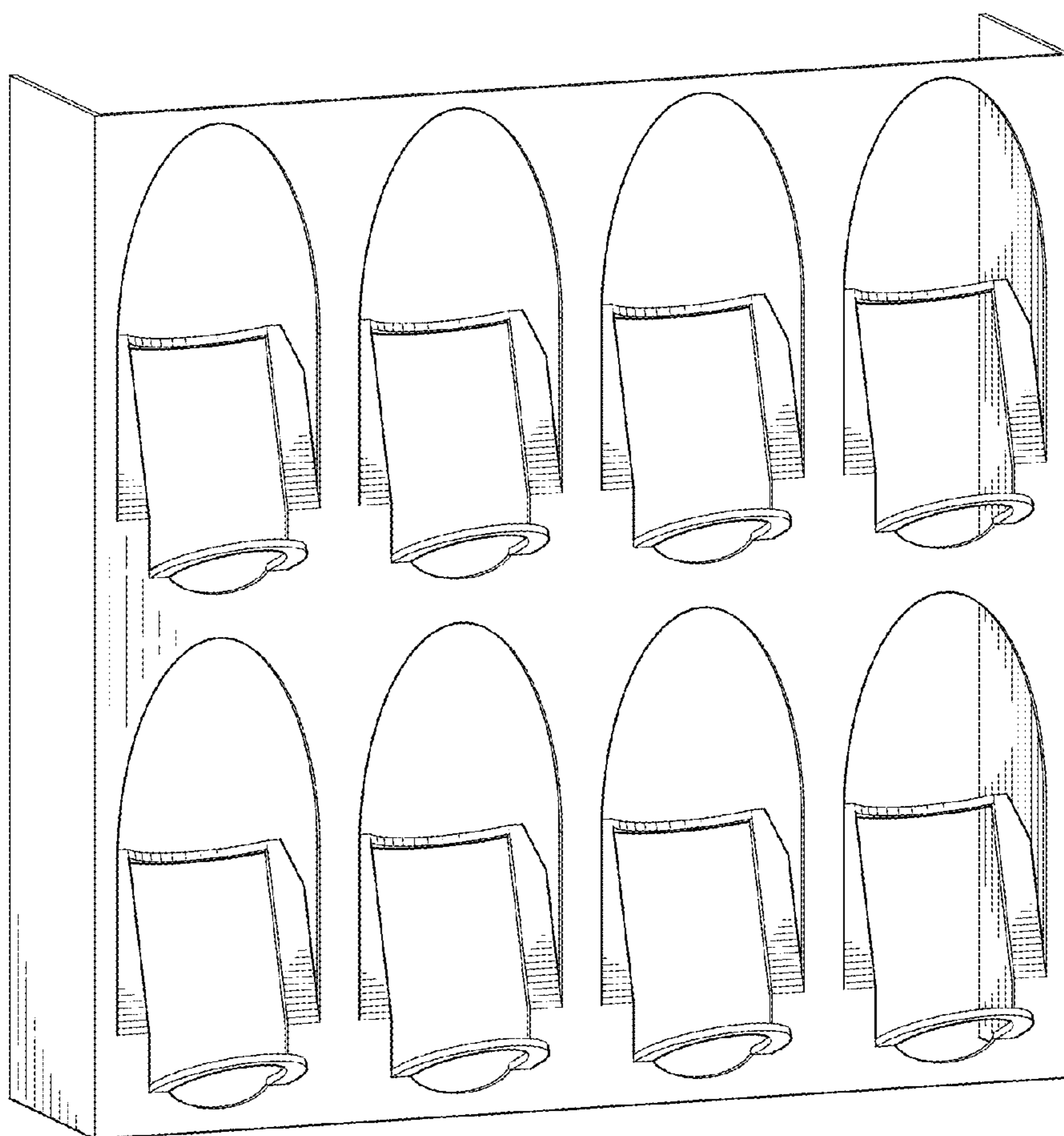


FIG. 1

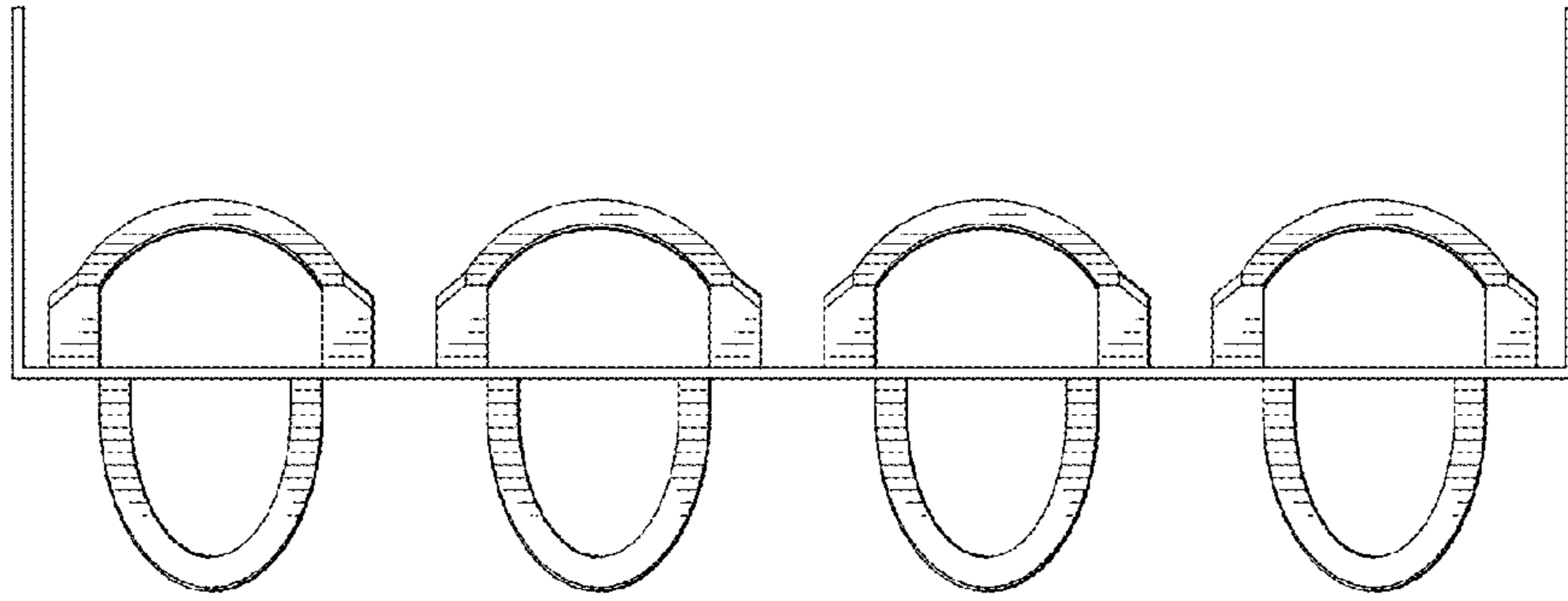


FIG. 3

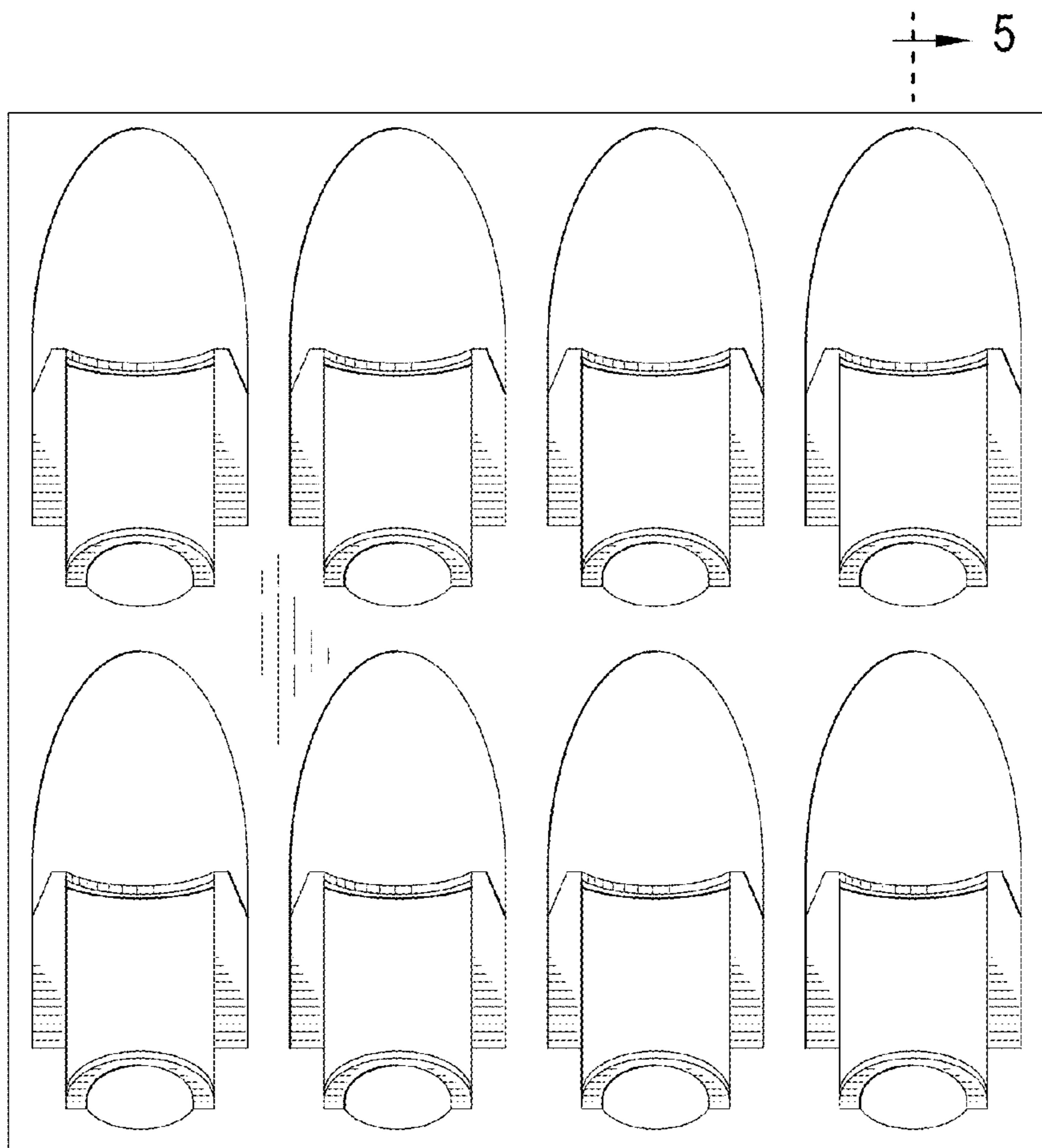
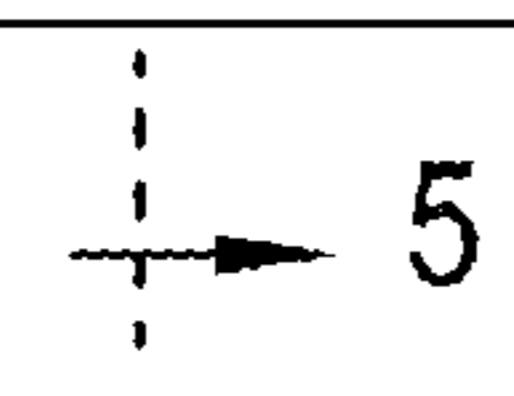


FIG. 2



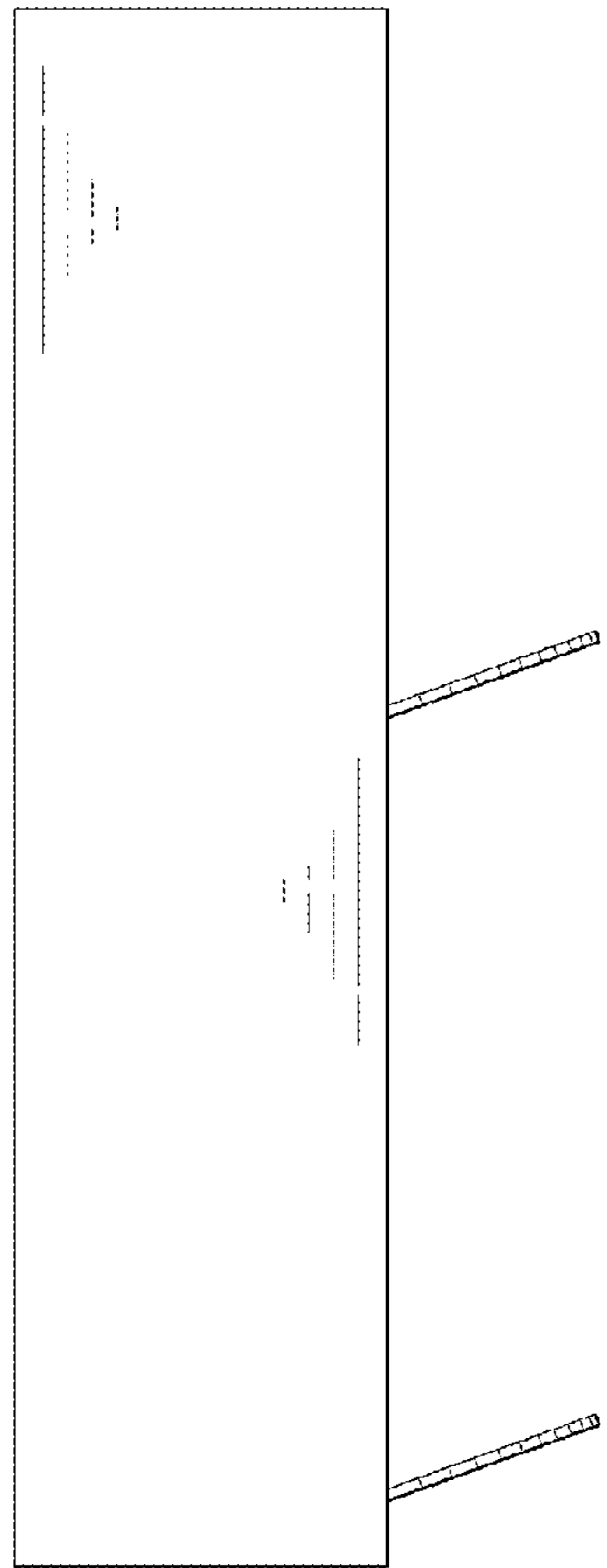


FIG. 4

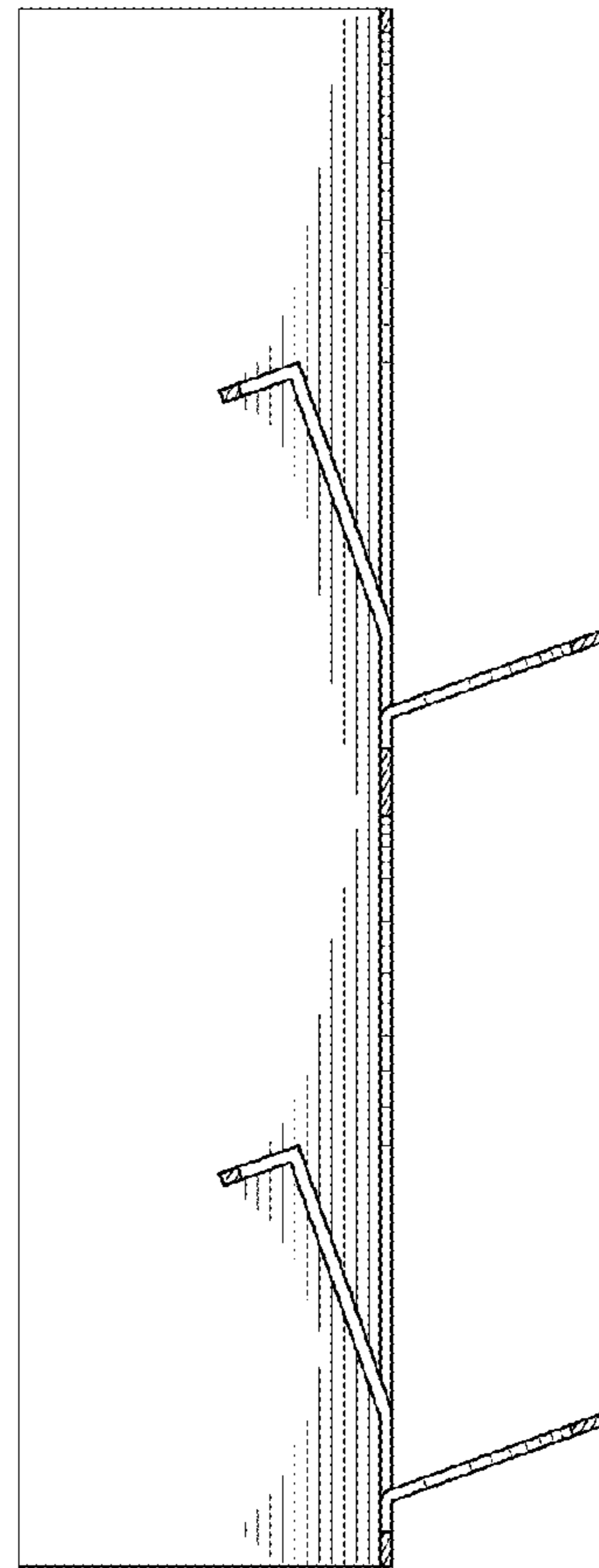


FIG. 5

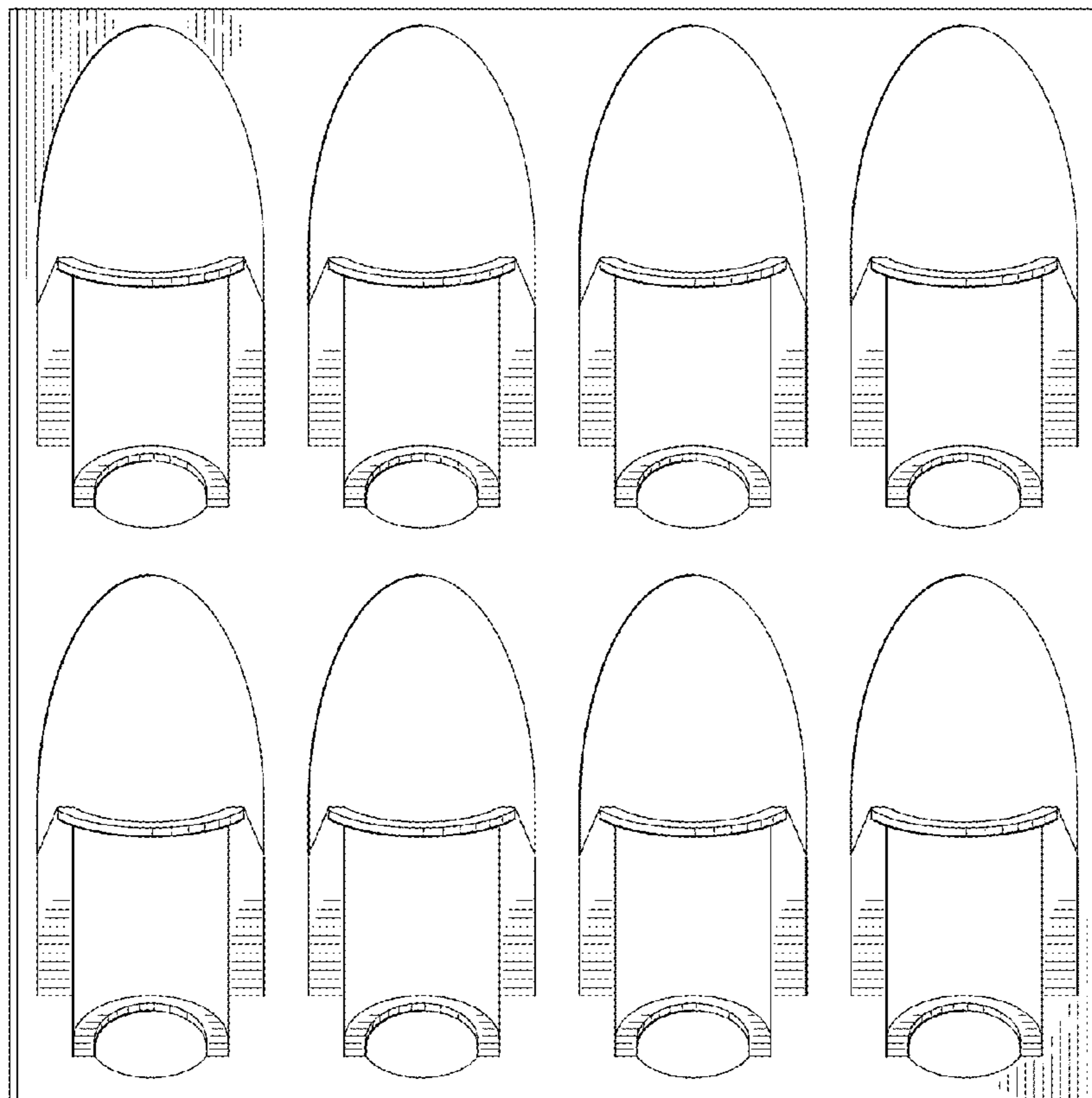


FIG. 6

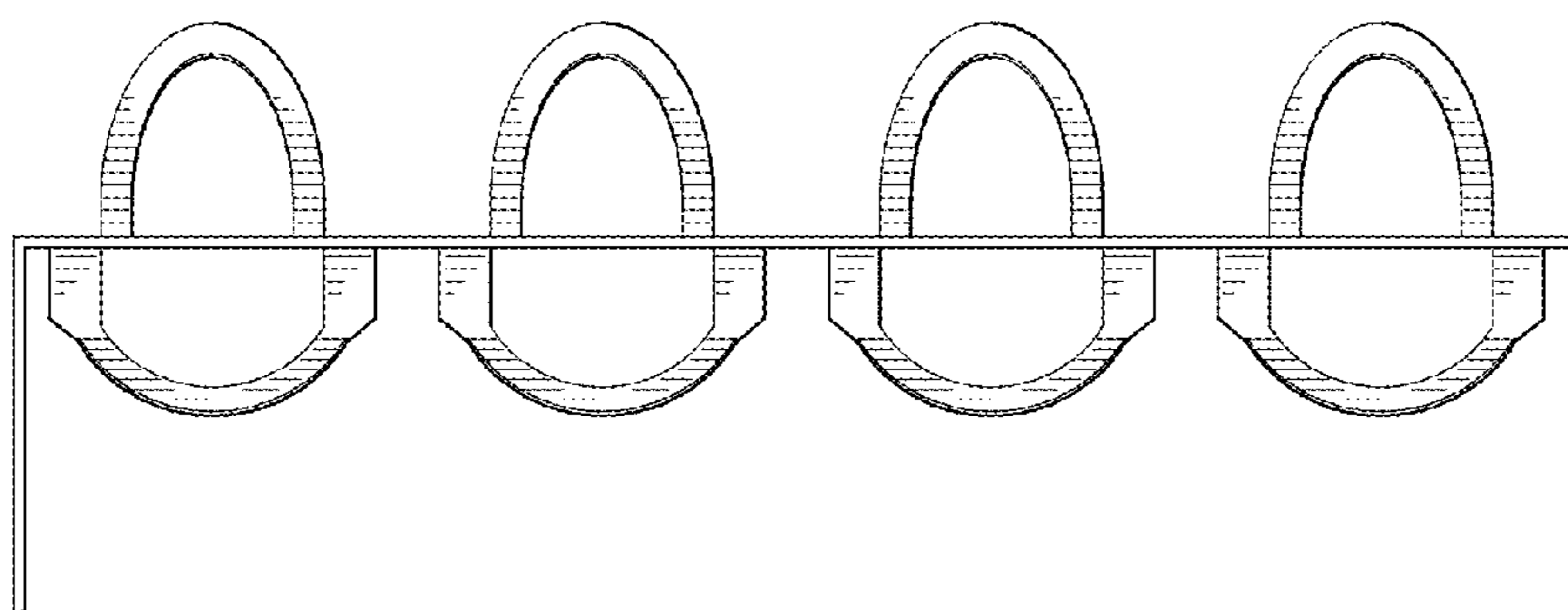


FIG. 7