



US00D765476S

(12) **United States Design Patent** (10) **Patent No.:** **US D765,476 S**  
**Fields** (45) **Date of Patent:** **\*\* Sep. 6, 2016**

(54) **JUICER**  
(71) Applicant: **Omega Products, Inc.**, Harrisburg, PA (US)  
(72) Inventor: **Timothy Fields**, Hummelstown, PA (US)  
(73) Assignee: **Omega Products, Inc.**, Harrisburg, PA (US)  
(\*\*) Term: **14 Years**  
(21) Appl. No.: **29/498,090**  
(22) Filed: **Jul. 31, 2014**  
(51) **LOC (10) Cl.** ..... **07-04**  
(52) **U.S. Cl.**  
USPC ..... **D7/665**  
(58) **Field of Classification Search**  
USPC ..... D7/155, 300.1, 368, 372-375, 412, 414, D7/665-666; 99/495; 241/92, 282.1; 366/314  
CPC ..... A47J 27/00; A47J 19/00; A47J 19/06; A47J 19/02; A47J 19/022; A47J 19/025; A47J 19/027; A47J 43/25; A47J 31/00; A47J 31/002; A23N 1/00  
See application file for complete search history.

(56) **References Cited**

**U.S. PATENT DOCUMENTS**

D249,441 S \* 9/1978 Fukumoto ..... D7/665  
D256,766 S \* 9/1980 Amiot ..... D7/384  
D265,716 S \* 8/1982 Necas ..... D7/368  
D522,321 S \* 6/2006 Hsu ..... D7/665  
D716,615 S \* 11/2014 Grossman ..... D7/665  
D717,612 S \* 11/2014 Ramirez ..... D7/666  
D718,094 S \* 11/2014 Yan ..... D7/665  
D733,504 S \* 7/2015 Choi ..... D7/665  
D734,646 S \* 7/2015 Steiner ..... D7/665  
D740,080 S \* 10/2015 Shao ..... D7/665  
D740,621 S \* 10/2015 Fouquet ..... D7/665  
2006/0037493 A1\* 2/2006 Schrader ..... A23N 1/003  
100/213  
2007/0210193 A1\* 9/2007 Larsen ..... A47J 19/027  
241/92

2010/0300307 A1\* 12/2010 Huang ..... A47J 19/027  
99/511  
2011/0219959 A1\* 9/2011 Hauser ..... G01F 19/00  
99/508  
2012/0085248 A1\* 4/2012 Lin ..... A47J 19/02  
99/501  
2012/0111208 A1\* 5/2012 Jays ..... A47J 19/027  
100/102  
2013/0074708 A1\* 3/2013 Asbury ..... A47J 19/02  
99/513  
2014/0130685 A1\* 5/2014 Kim ..... A23N 1/02  
99/513

(Continued)

**OTHER PUBLICATIONS**

Amazon.com: Hamilton Beach 67601A Big Mouth Juice Extractor, Black. Retrieved from the internet at <<http://www.amazon.com/Hamilton-Beach-67601A-Mouth-Extractor/dp/B00E0IBKLQ>>, Oct. 11, 2015. 7 pages.\*

(Continued)

*Primary Examiner* — Rosemary K Tarcza  
*Assistant Examiner* — James Thorn, Sr.  
(74) *Attorney, Agent, or Firm* — Fraser Clemens Martin & Miller LLC; Michael E. Dockins

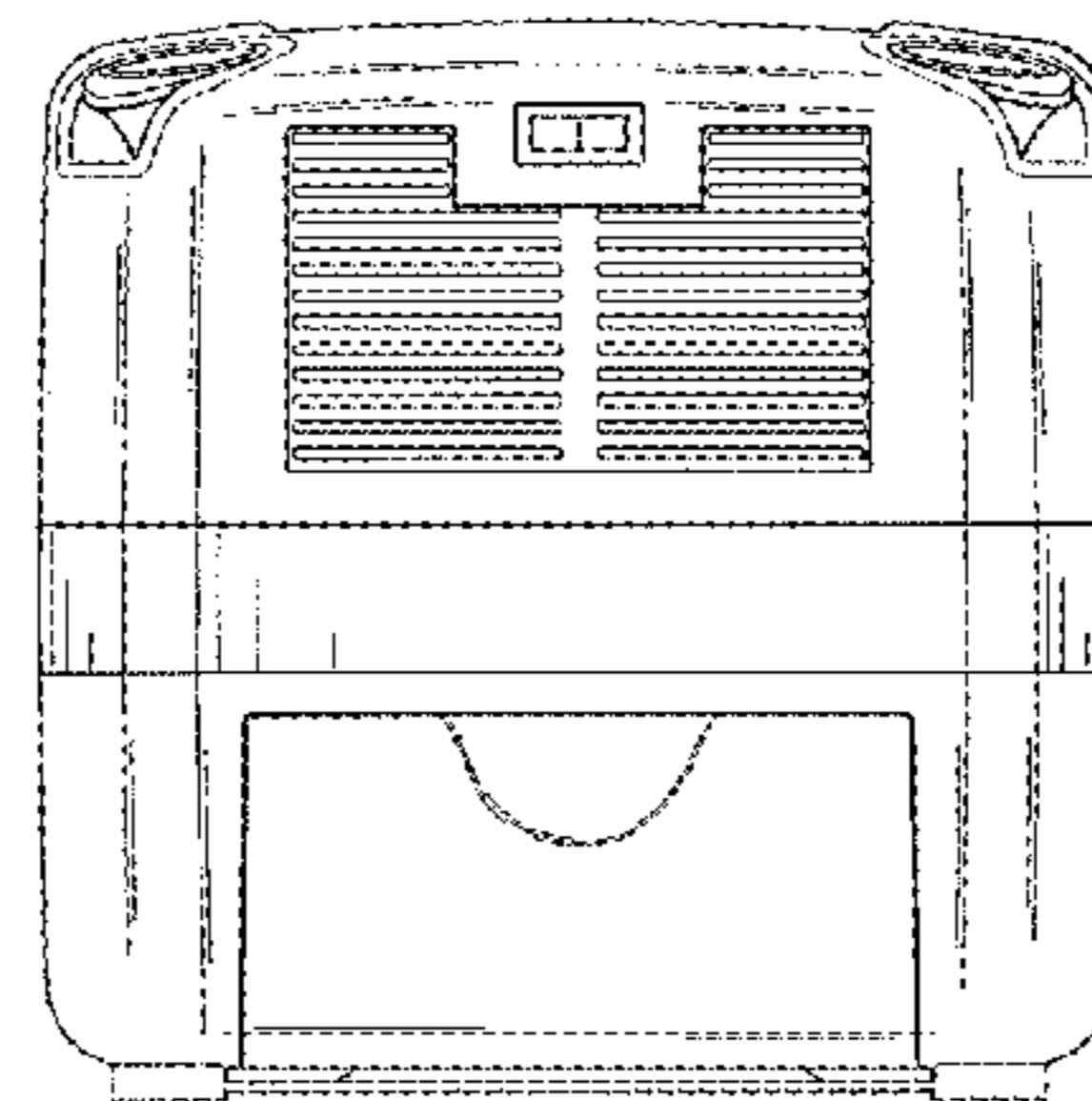
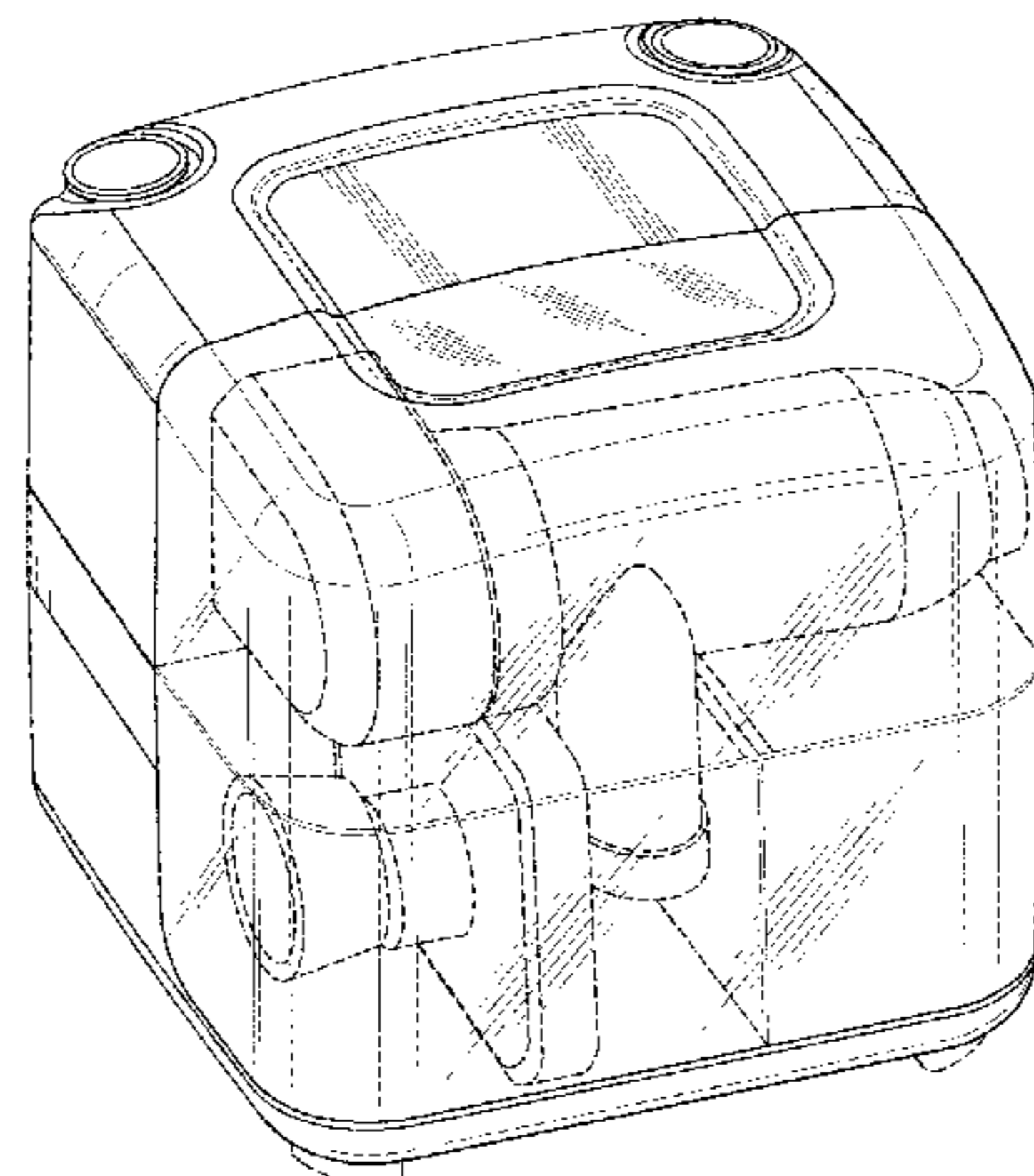
(57) **CLAIM**

The ornamental design for a juicer, as shown and described.

**DESCRIPTION**

FIG. 1 is a perspective view of a juicer incorporating the features of the invention;  
FIG. 2 is a front elevational view of the juicer of FIG. 1;  
FIG. 3 is a rear elevational view thereof;  
FIG. 4 is a top plan view thereof;  
FIG. 5 is bottom plan view thereof;  
FIG. 6 is a right side view thereof; and,  
FIG. 7 is a left side view thereof.  
The ornamental design which is claimed is shown in solid lines in the drawings. The broken lines shown in the drawings are for the purpose of illustrating environmental structure and form no part of the claimed design.

**1 Claim, 4 Drawing Sheets**



(56)

**References Cited**

U.S. PATENT DOCUMENTS

2014/0352558 A1\* 12/2014 Wong ..... A23N 1/02  
100/98 R  
2015/0033958 A1\* 2/2015 Cheung ..... A23N 1/02  
99/509  
2015/0059597 A1\* 3/2015 Lee ..... A47J 19/027  
99/513

OTHER PUBLICATIONS

220-electrics.com: Panasonic MJ176 220v Juicer Blender Grinder,  
White. Retrieved from the internet at <<http://www.220-electronics.com/panasonic-mj176-220-volt-juicer-blender-grinder.html>> Oct.  
11, 2015. 1 page.\*

\* cited by examiner

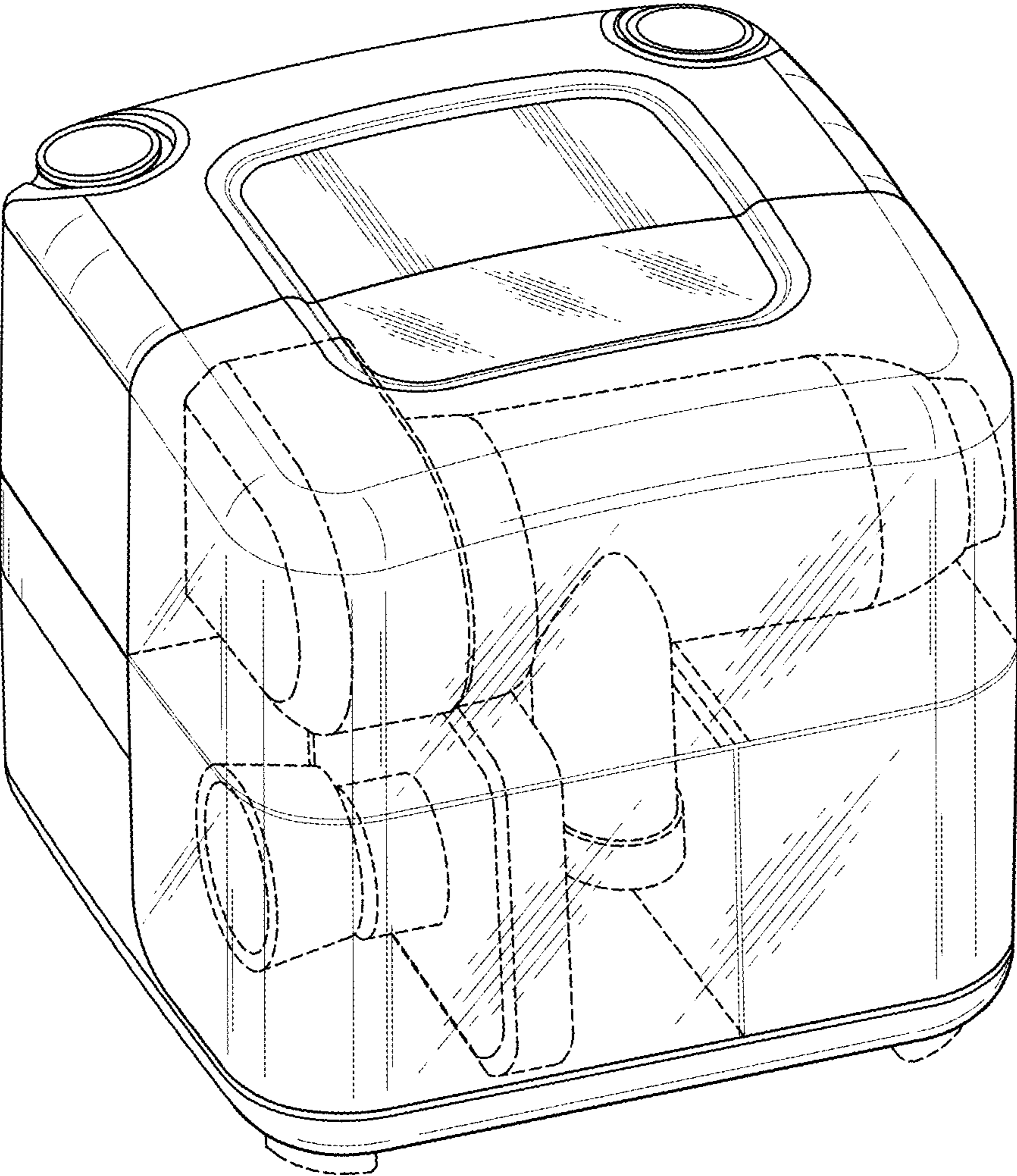


FIG. 1

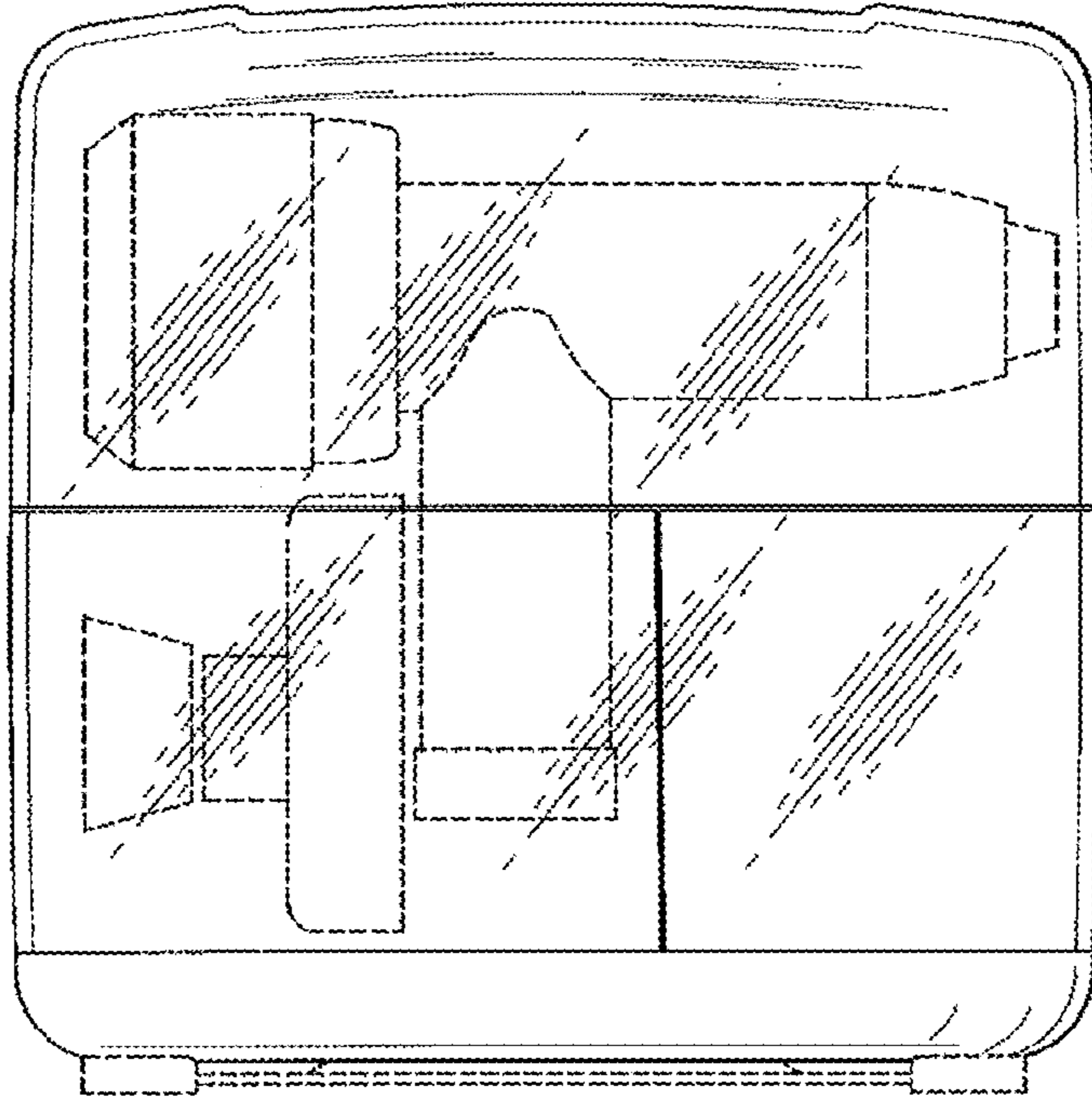


FIG. 2

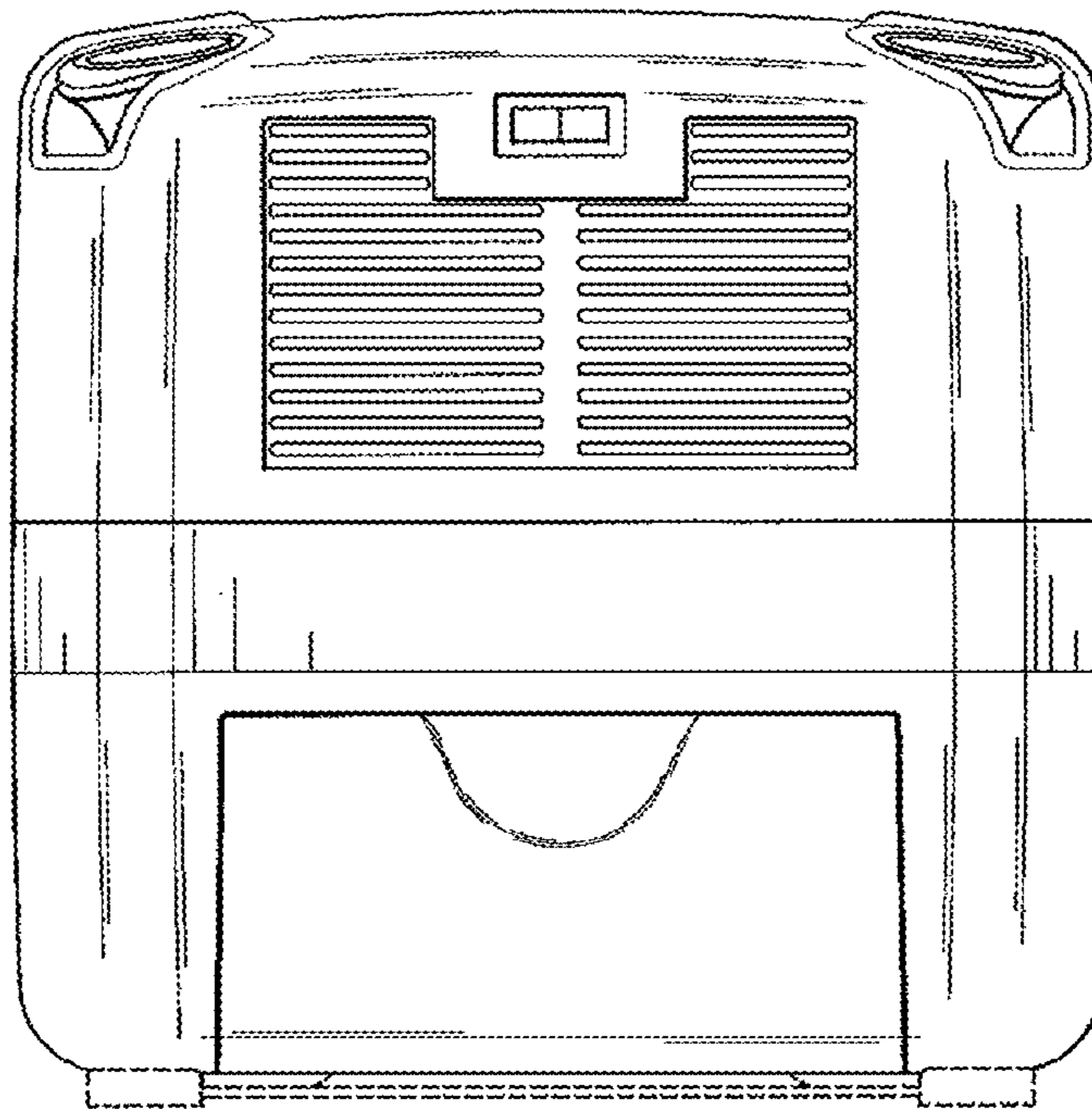


FIG. 3

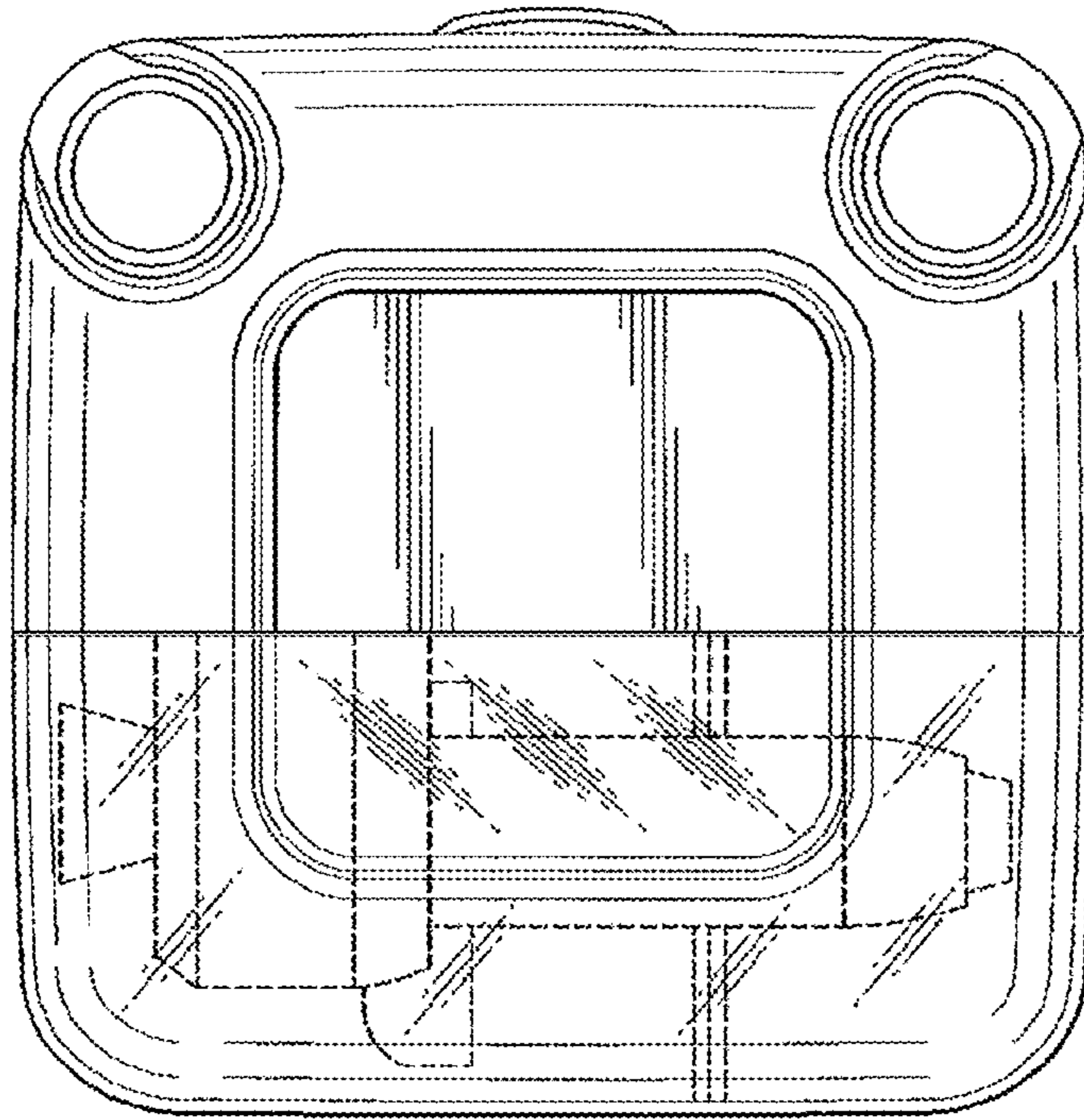


FIG. 4

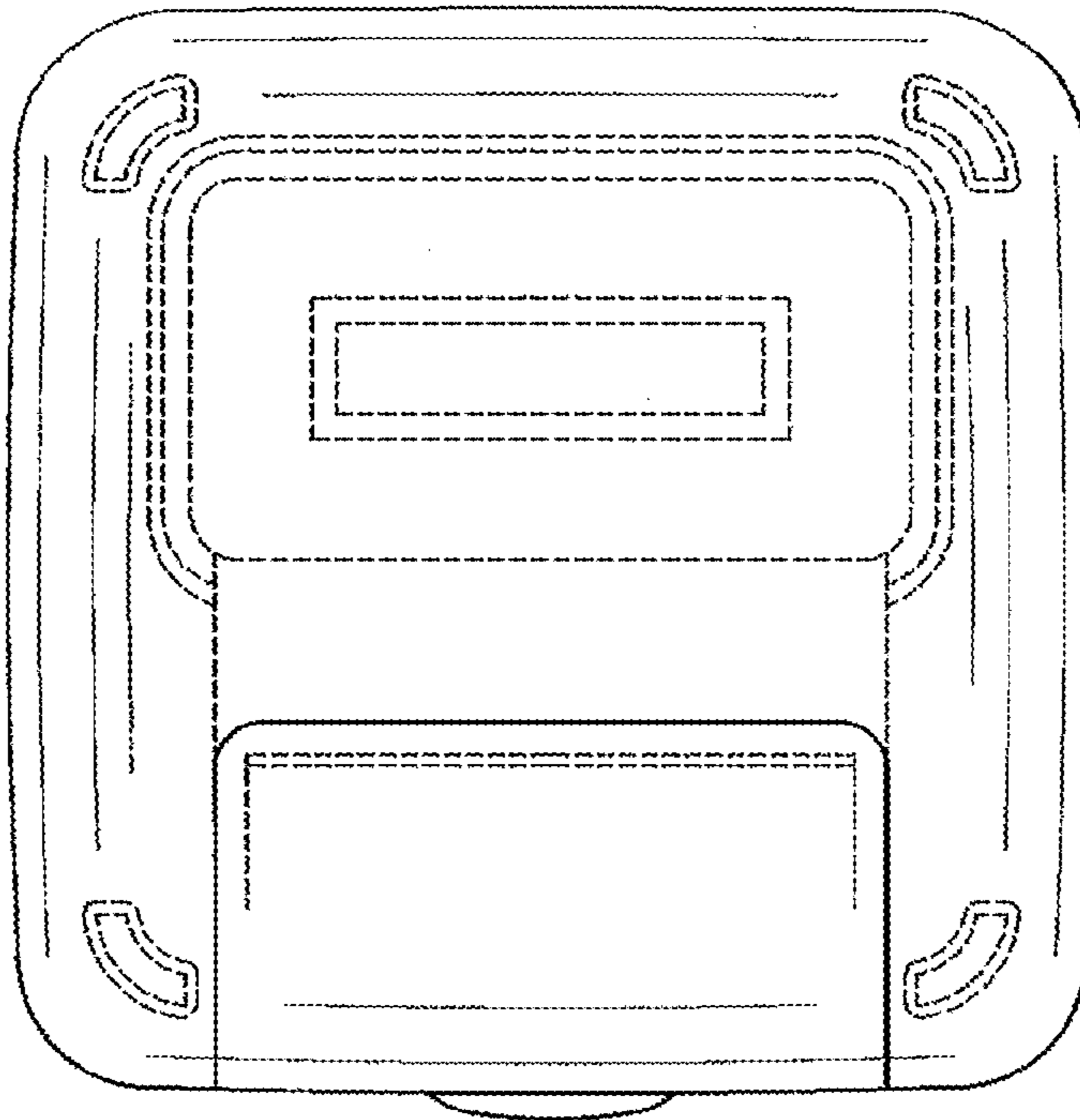


FIG. 5

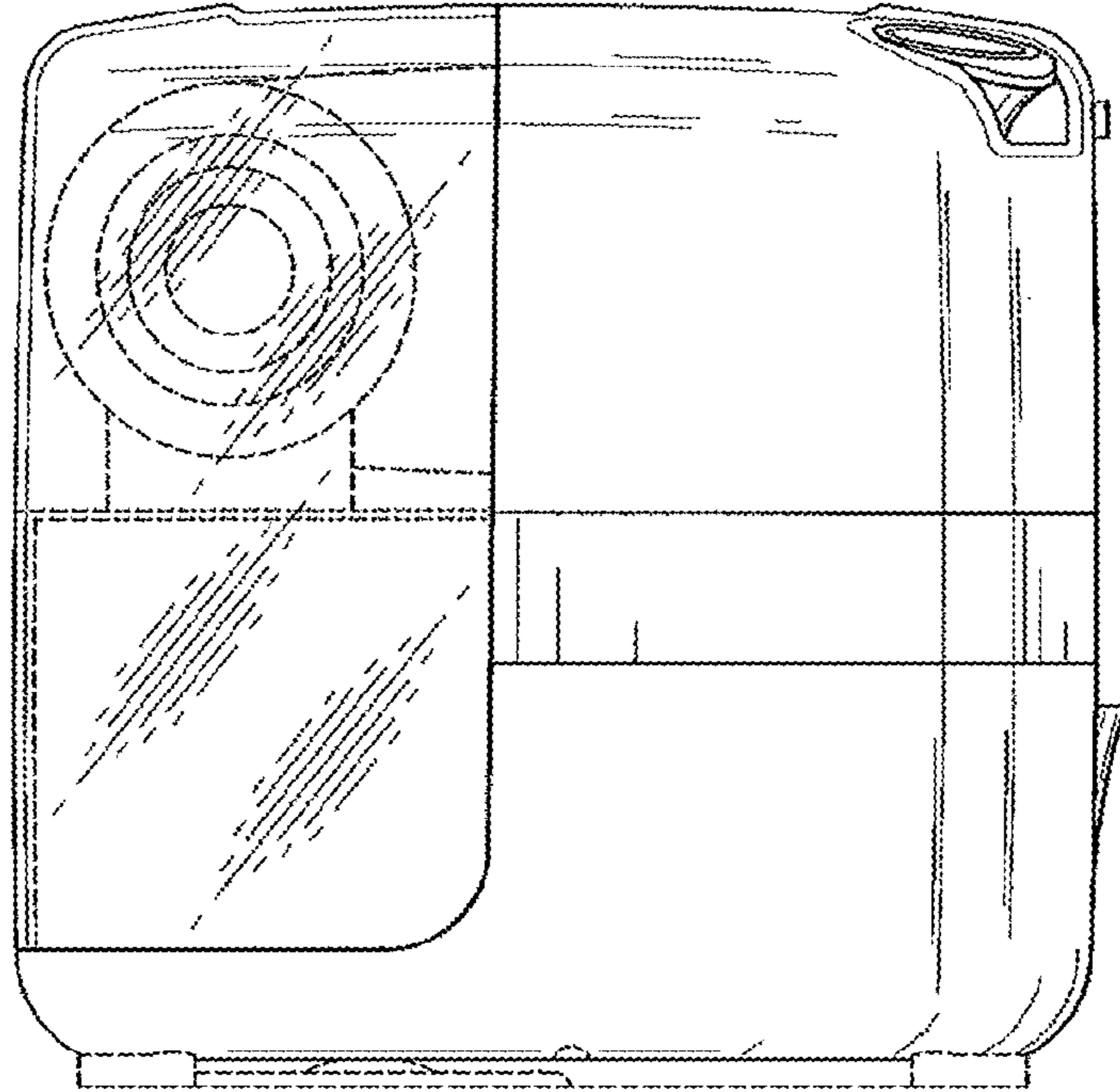


FIG. 6

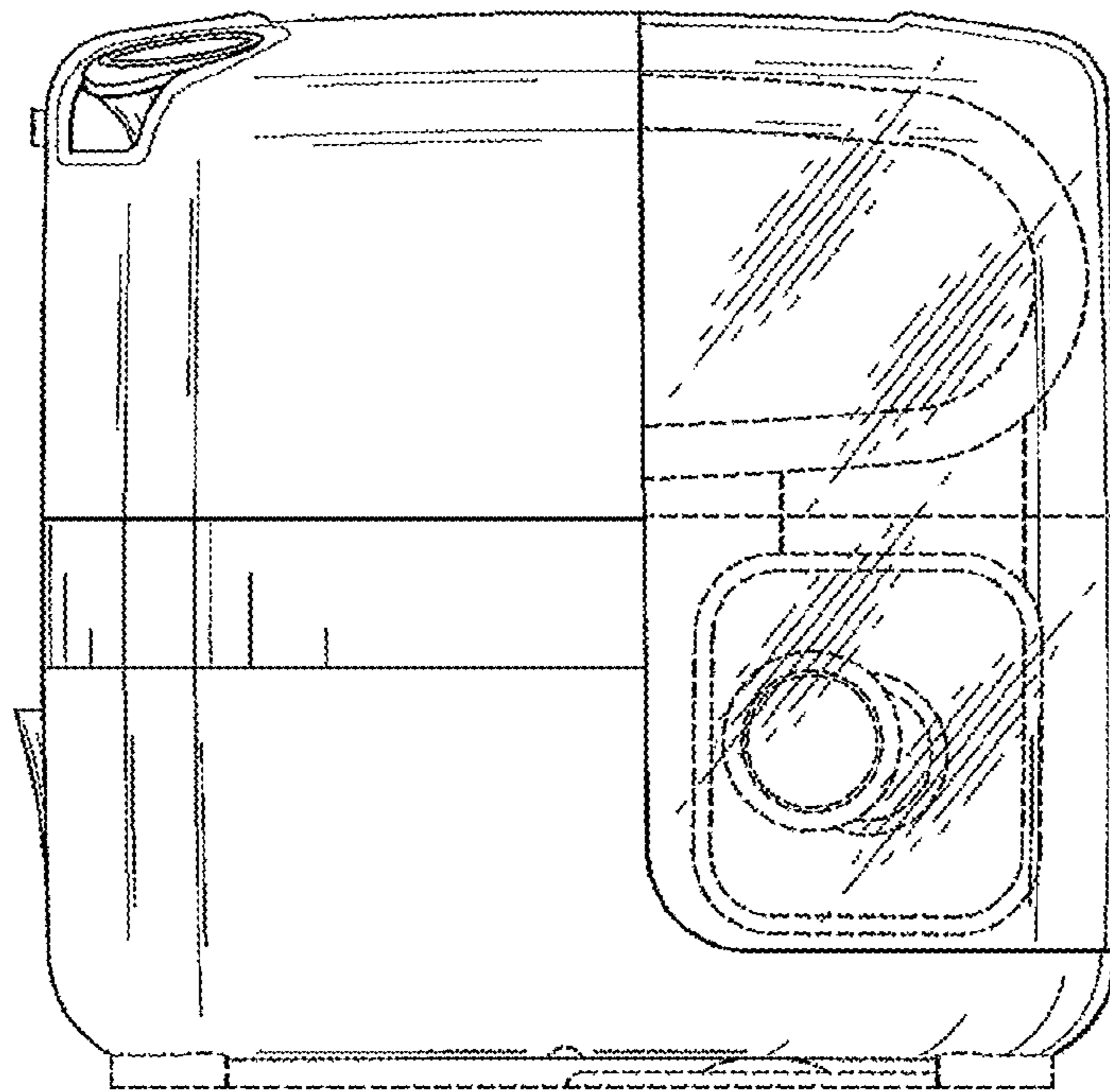


FIG. 7