



US00D765471S

(12) **United States Design Patent**  
**Gorbold**

(10) **Patent No.:** **US D765,471 S**

(45) **Date of Patent:** **\*\* Sep. 6, 2016**

(54) **CUP**

(71) Applicant: **Steel Technology, LLC**, Bend, OR  
(US)

(72) Inventor: **Timothy Dryden Gorbold**, Bend, OR  
(US)

(73) Assignee: **Steel Technology, LLC**, Bend, OR  
(US)

(\*\*) Term: **14 Years**

(21) Appl. No.: **29/498,609**

(22) Filed: **Aug. 5, 2014**

(51) **LOC (10) Cl.** ..... **07-01**

(52) **U.S. Cl.**

USPC ..... **D7/523**; D7/532; D7/509

(58) **Field of Classification Search**

USPC ..... D7/509, 512, 514, 516, 517, 523, 529,  
D7/532, 591, 594, 608, 624.1, 624.2, 391,  
D7/392.1, 396.2, 396.4, 519, 607, 326,  
D7/510; D9/501, 502, 444; 220/592.16,  
220/592.17, 592.23, 592.24, 674, 676,  
220/592.2, 703, 592.26, 592.27, 477;  
229/400, 403, 405; 215/382, 387, 388,  
215/400; 206/520; D11/3, 4, 6; D3/202;  
D5/1, 2, 3, 4, 17, 23, 25, 29, 58;  
D25/60, 153, 156, 157, 164, 261, 259  
CPC ..... A47G 19/2288; A47G 2023/0291;  
A47G 19/2205; A47G 19/22; B65D 3/22;  
B65D 1/265

See application file for complete search history.

(56) **References Cited**

**U.S. PATENT DOCUMENTS**

1,879,820 A \* 9/1932 Perry ..... 215/371  
2,622,415 A \* 12/1952 Smith et al. .... 62/457.3  
2,863,585 A \* 12/1958 Meshberg ..... A47G 19/2288  
215/12.1  
D191,620 S \* 10/1961 Bloch ..... D7/523  
3,194,468 A \* 7/1965 Baron ..... 229/400

D223,704 S \* 5/1972 Cheladze ..... D7/509  
3,765,559 A \* 10/1973 Sauey ..... B65D 81/3881  
215/12.1  
4,151,923 A \* 5/1979 Bernardi ..... A47G 19/2288  
215/12.1  
D267,849 S \* 2/1983 Groenewold et al. .... D7/514  
D271,650 S \* 12/1983 Groenewold et al. .... D7/523  
D273,651 S \* 5/1984 Emrick ..... D7/523  
5,076,463 A \* 12/1991 McGraw ..... 220/592.17  
D424,875 S \* 5/2000 Husted ..... D7/510  
D446,687 S \* 8/2001 Furman et al. .... D7/523

(Continued)

**FOREIGN PATENT DOCUMENTS**

JP D1507855 S 9/2014  
KR 30-0733635 S 3/2014  
TW D107807 S 11/2005

**OTHER PUBLICATIONS**

Jul. 3, 2013—Thermos Vacuum Insulated Tumbler—basketdelight-  
tokyo.wordpress.com.\*

(Continued)

*Primary Examiner* — Marianne Pandozzi

*Assistant Examiner* — Jae Liang

(74) *Attorney, Agent, or Firm* — Kolisch Hartwell, P.C.

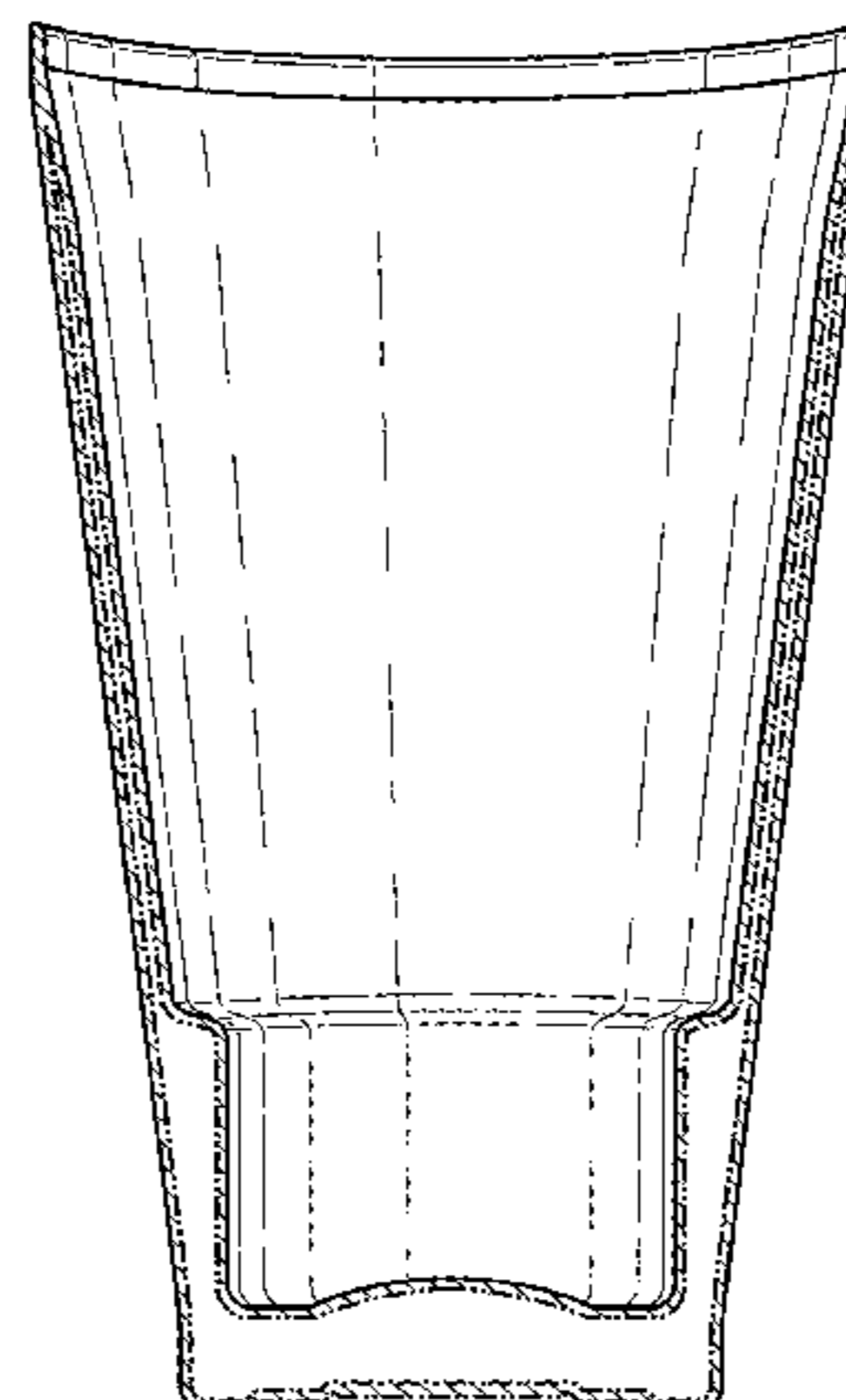
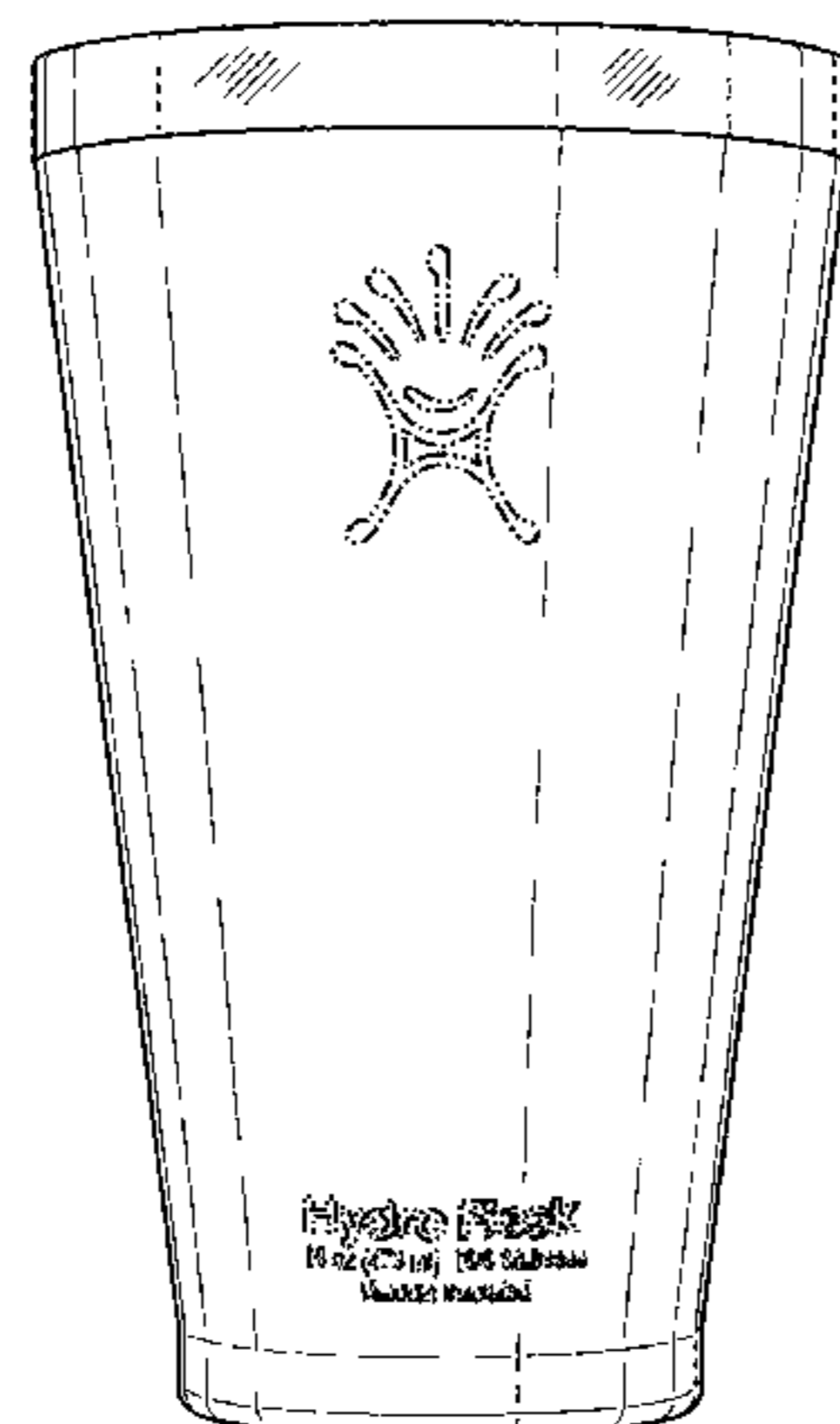
(57) **CLAIM**

The ornamental design for a cup, as shown and described.

**DESCRIPTION**

FIG. 1 is an upper, front, and right side perspective view of a cup showing our new design; FIG. 2 is a lower, rear, and left side perspective view thereof; FIG. 3 is a front perspective view thereof; FIG. 4 is a top view thereof; FIG. 5 is a bottom view thereof; and, FIG. 6 is a cross sectional perspective view showing a section taken along line 6-6 of FIG. 4. The broken lines in the drawing depict portions of the cup that form no part of the claimed design.

**1 Claim, 3 Drawing Sheets**



(56)

References Cited

U.S. PATENT DOCUMENTS

D474,074 S \* 5/2003 Hou ..... D7/523  
 D488,348 S \* 4/2004 Liu ..... D7/509  
 D489,573 S \* 5/2004 Li ..... D7/530  
 D490,274 S \* 5/2004 Irvine ..... D7/603  
 D495,199 S \* 8/2004 Matthews ..... D7/396.2  
 D502,633 S \* 3/2005 Liu ..... D7/509  
 D506,640 S \* 6/2005 Marck ..... D7/509  
 D506,910 S \* 7/2005 Tham-itthisak ..... D7/509  
 6,913,165 B2 \* 7/2005 Linz et al. .... 220/568  
 6,921,179 B2 \* 7/2005 Diak Ghanem ..... 362/84  
 D533,748 S 12/2006 Bresler  
 D537,677 S \* 3/2007 Bresler ..... D7/509  
 D548,534 S \* 8/2007 Sullivan ..... D7/608  
 D550,509 S \* 9/2007 Dretzka ..... D7/509  
 D552,420 S \* 10/2007 Liu ..... D7/509  
 D553,439 S \* 10/2007 Bodum ..... D7/523  
 D554,822 S \* 11/2007 Dretzka ..... D34/1  
 D561,535 S \* 2/2008 Jin ..... D7/531  
 D565,352 S 4/2008 Williams  
 D577,260 S \* 9/2008 Bodum ..... D7/523  
 D581,739 S \* 12/2008 Bodum ..... D7/523  
 D582,724 S \* 12/2008 Dretzka ..... D7/509  
 D590,662 S \* 4/2009 Cheng ..... D7/509  
 D621,658 S 8/2010 Rice  
 D622,547 S \* 8/2010 Carreno ..... D7/510  
 D629,253 S \* 12/2010 Eubank et al. .... D7/519  
 D640,505 S \* 6/2011 George ..... D7/510  
 D655,982 S \* 3/2012 Liu ..... D7/509  
 D682,035 S \* 5/2013 Monugian ..... D7/523  
 D713,204 S \* 9/2014 Katterheinrich et al. .... D7/517  
 D720,185 S \* 12/2014 Kaiser ..... D7/523  
 D722,825 S \* 2/2015 Miller ..... D7/509  
 D731,251 S \* 6/2015 Lane ..... D7/608  
 9,052,105 B2 \* 6/2015 Zalon

D750,436 S \* 3/2016 Hopkins ..... D7/523  
 2007/0171768 A1 \* 7/2007 Dallaire ..... 366/314  
 2012/0132658 A1 \* 5/2012 Dans et al. .... 220/592.2  
 2014/0124513 A1 \* 5/2014 Shearer ..... A47G 19/2261  
 2014/0263368 A1 \* 9/2014 Booska ..... B65D 81/3484  
 2014/0263602 A1 \* 9/2014 Leser ..... B65D 81/3869  
 220/592.17  
 229/403

OTHER PUBLICATIONS

May 14, 2014 Klean Kanteen Stainless Steel Pint Cups <http://www.kleankanteen.com/products/cups-tumblers/steel-cups-tumblers.php>.  
 Jul. 16, 2015, Office action from the Taiwanese Intellectual Property Office, in Taiwanese Patent Application No. 104300571 which is the Taiwanese counterpart application that shares the same priority as this U.S. application.  
 Klean Kanteen, 16 oz, Tumbler, product was commercially available and could be located at <http://www.kleankanteen.com/products/cups-tumblers/steel-insulated-tumbler.php> prior to the filing date of the instant application.  
 Innate, 16 oz Siason Beer Sleeve, product was commercially available and could be located at <http://www.innate-gear.com/product-info/new-saison-beer-sleeve> prior to the filing date of the instant application.  
 Yeti, 20 oz & 30 oz Rambler Tumblers, product was commercially available and could be located at <http://yeticoolers.com/rambler-tumblers/> prior to the filing date of the instant application.  
 Steelys, Double Walled but not vacuum insulated, product was commercially available and could be located at <http://steelysdrinkware.com/product/steelys-insulated-stainless-pint-cup/> prior to the filing date of the instant application.

\* cited by examiner

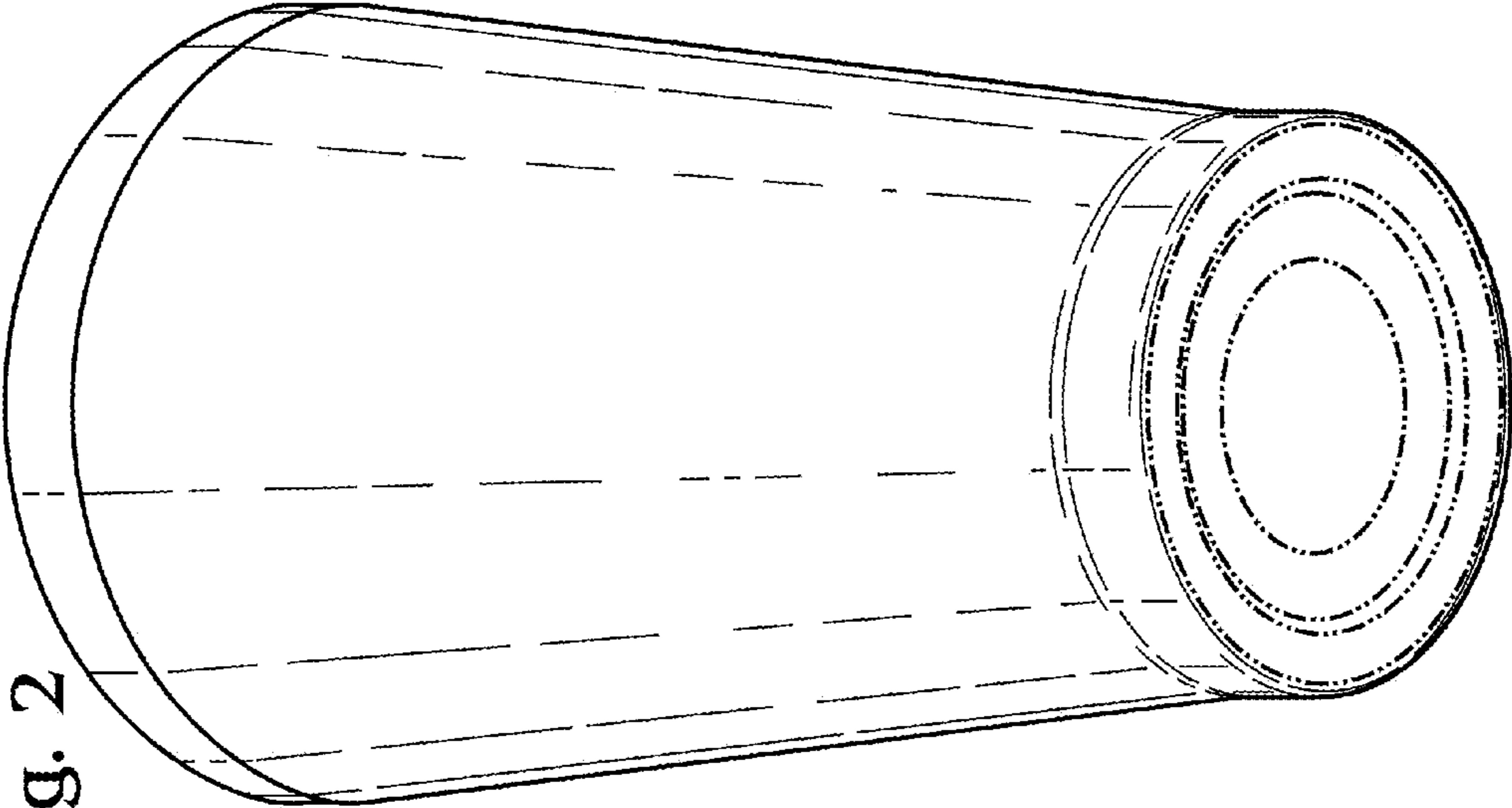


Fig. 2

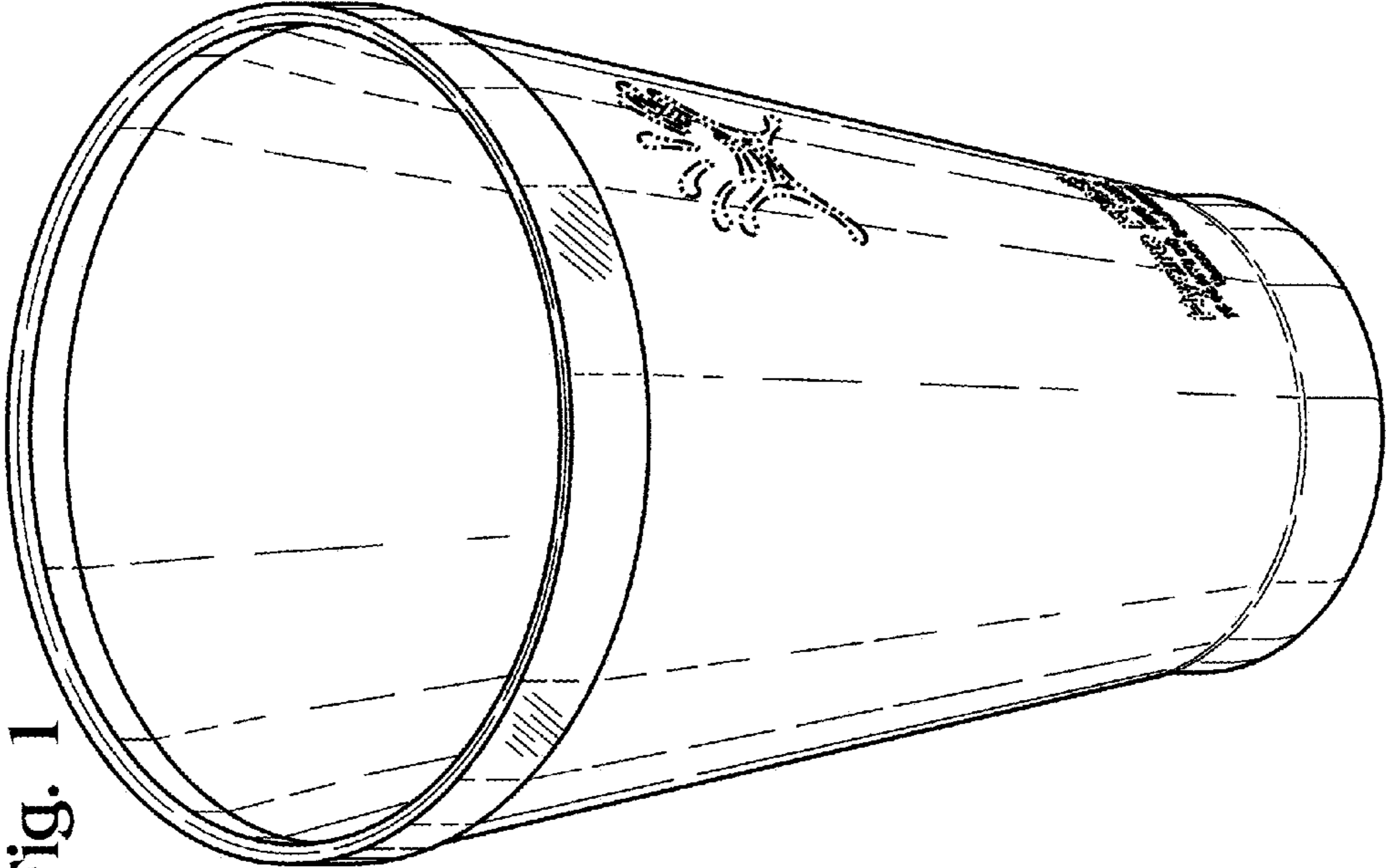


Fig. 1

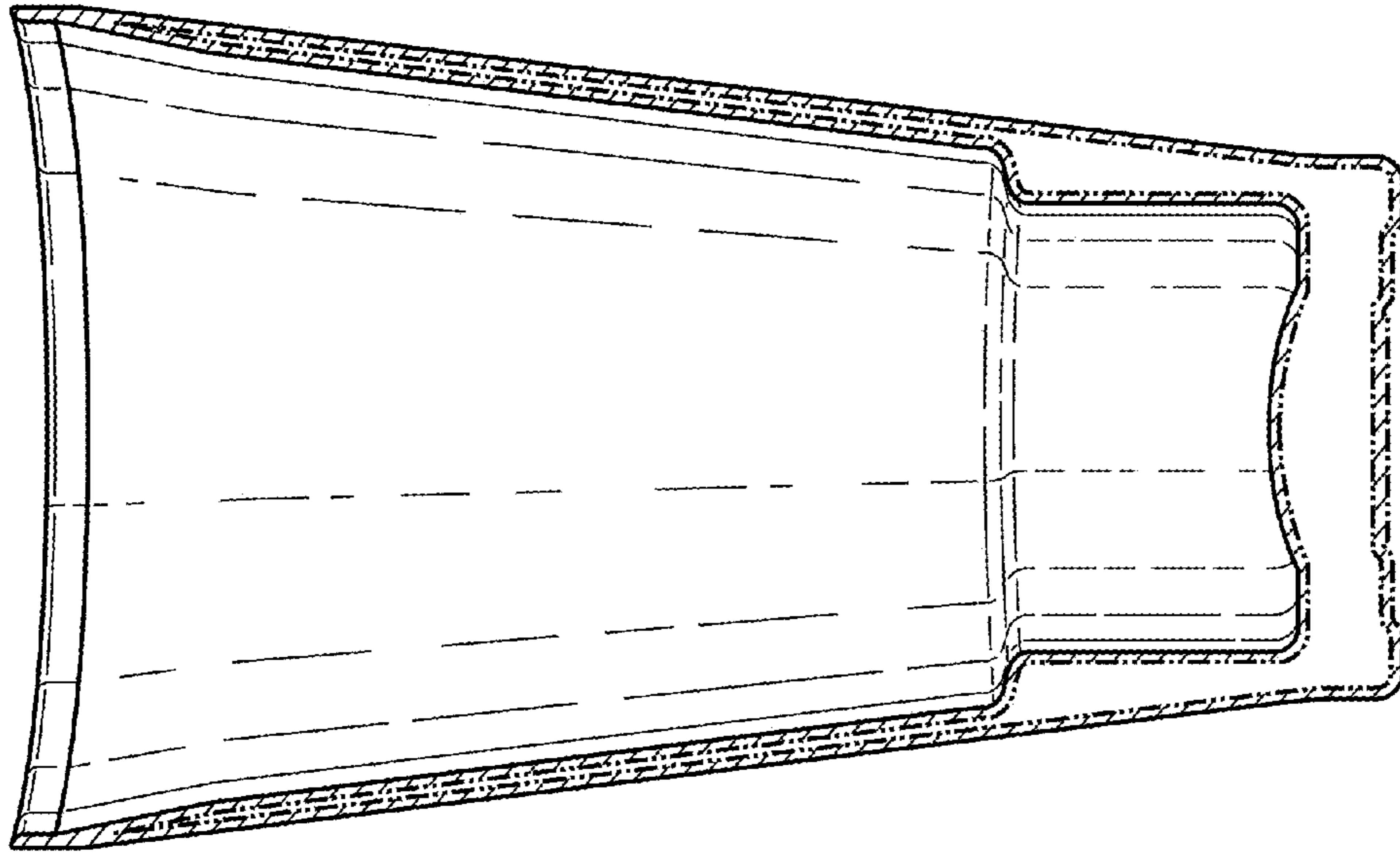


Fig. 6

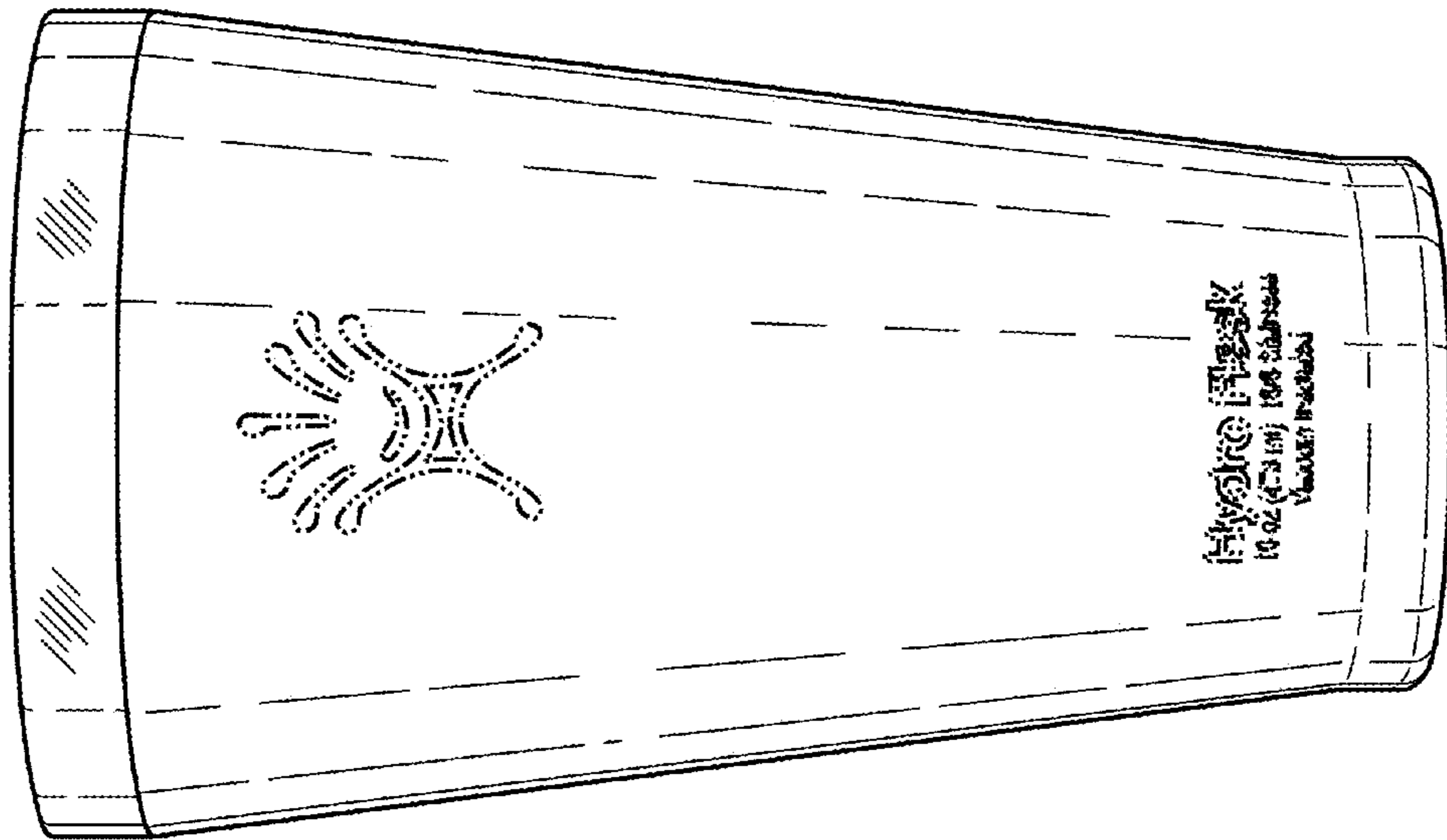


Fig. 3

Fig. 4

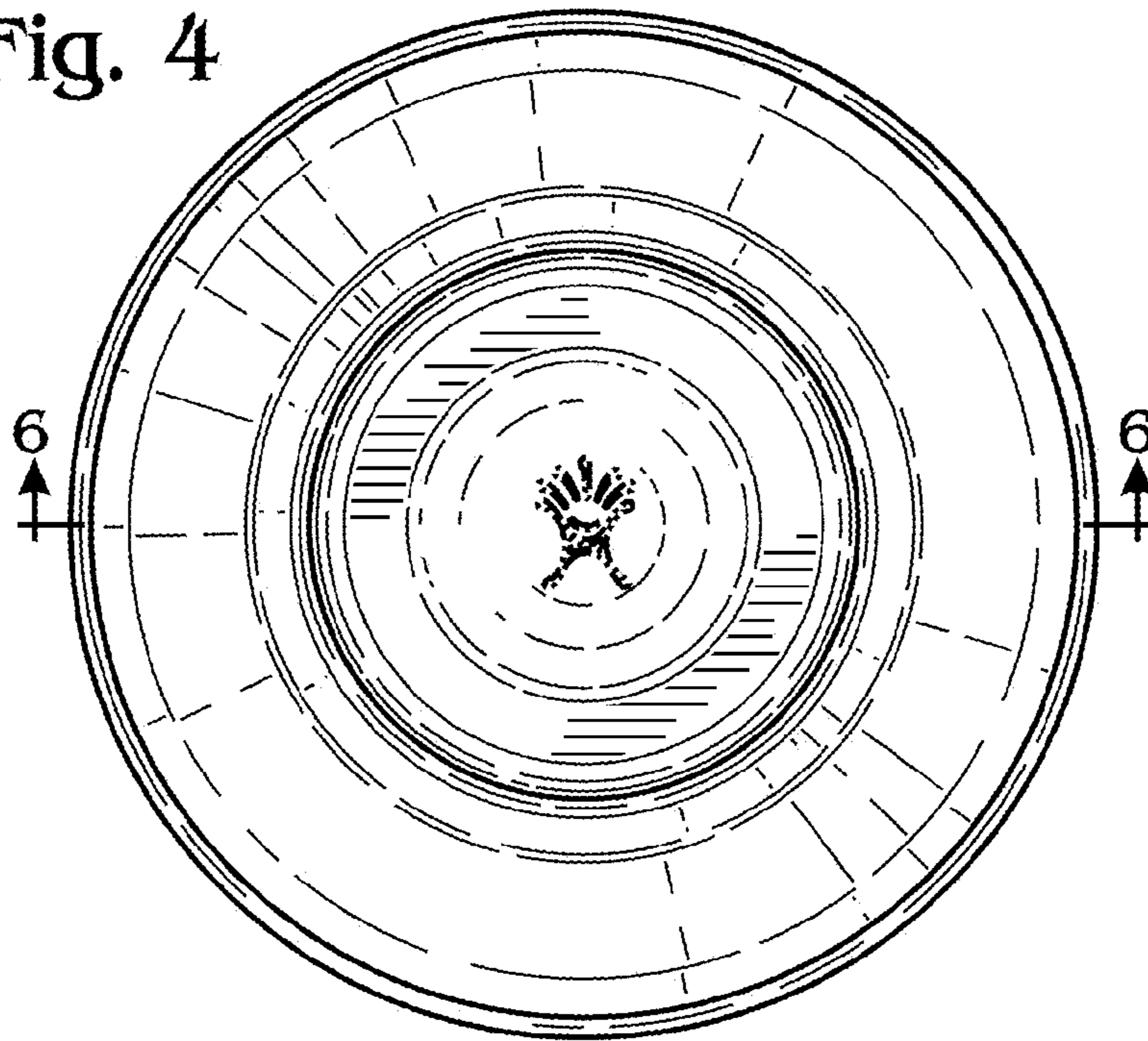


Fig. 5

