



US00D765470S

(12) **United States Design Patent** (10) **Patent No.:** **US D765,470 S**
Schuler et al. (45) **Date of Patent:** **** Sep. 6, 2016**

(54) **HANDLE FOR KITCHEN UTENSIL**
(71) Applicant: **Bradshaw International, Inc.**, Rancho Cucamonga, CA (US)
(72) Inventors: **Troy Schuler**, Rancho Cucamonga, CA (US); **Philippe De La Coussaye**, Annecy-le-Vieux (FR)
(73) Assignee: **Bradshaw International, Inc.**, Rancho Cucamonga, CA (US)

(**) Term: **14 Years**
(21) Appl. No.: **29/500,645**
(22) Filed: **Aug. 27, 2014**

(30) **Foreign Application Priority Data**

Feb. 28, 2014 (EM) 002415414-0013

(51) **LOC (10) Cl.** **07-02**
(52) **U.S. Cl.**
USPC **D7/395**

(58) **Field of Classification Search**
USPC D7/354-358, 359-361, 391, 393, 402, D7/405, 406, 682; D8/107, 300, 307; 16/110 R, 114 R, 118, 121, 309, 311, 16/312, 315, 320, 430, 431, 441; 74/548, 74/553, 558.5; 200/18, 61.8, 336-338, 200/564-570; 220/573.1-573.5, 752, 753, 220/755, 759, 912
CPC A47J 45/06; A47J 45/061; A47J 45/62; A47J 45/08; A47J 45/085; B65D 25/2802; B65D 25/2882; B65D 25/2885; B65D 25/2888; B65D 25/2894; Y10S 220/912
See application file for complete search history.

(56) **References Cited**

U.S. PATENT DOCUMENTS

D307,095 S * 4/1990 Juergens D7/653
D312,749 S * 12/1990 Kessler D7/395

D461,363 S * 8/2002 Law D7/395
D477,965 S * 8/2003 Kortleven D7/395
D514,377 S * 2/2006 Brownell D7/395
D520,296 S * 5/2006 Brownell D7/395
D533,026 S * 12/2006 Dotterman D4/138
D540,617 S * 4/2007 Dotterman D7/395
D565,348 S * 4/2008 Tetreault D7/395
D597,787 S * 8/2009 Jalet D7/395
D659,467 S * 5/2012 Buchanan D7/395
D723,869 S * 3/2015 Joseph D7/401.2
D737,094 S * 8/2015 Hundley D7/395
D746,121 S * 12/2015 Choi D8/107
2007/0084063 A1 * 4/2007 Hughes A47G 21/02 30/298.4

* cited by examiner

Primary Examiner — Cynthia M Chin

(74) *Attorney, Agent, or Firm* — The Webb Law Firm

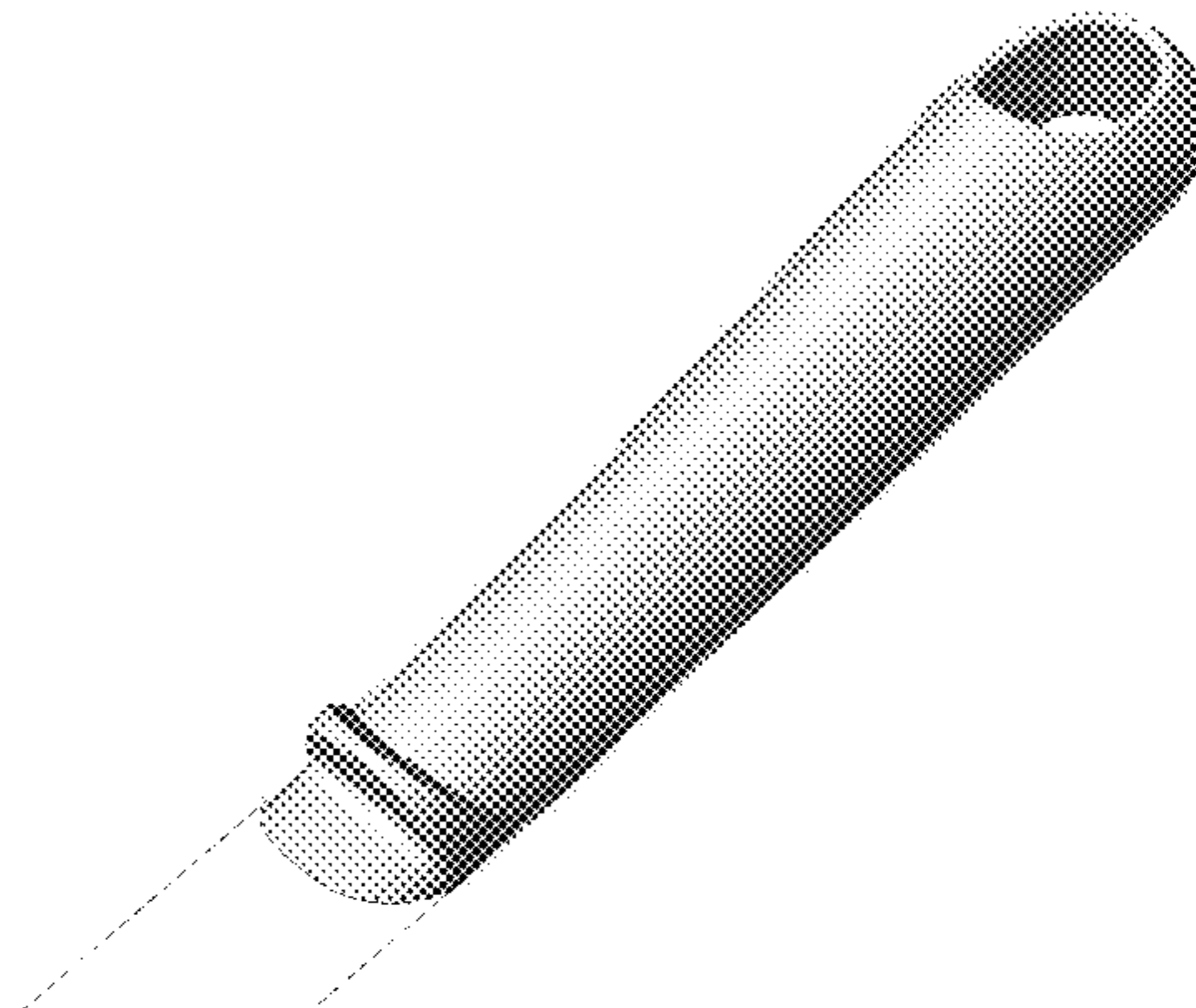
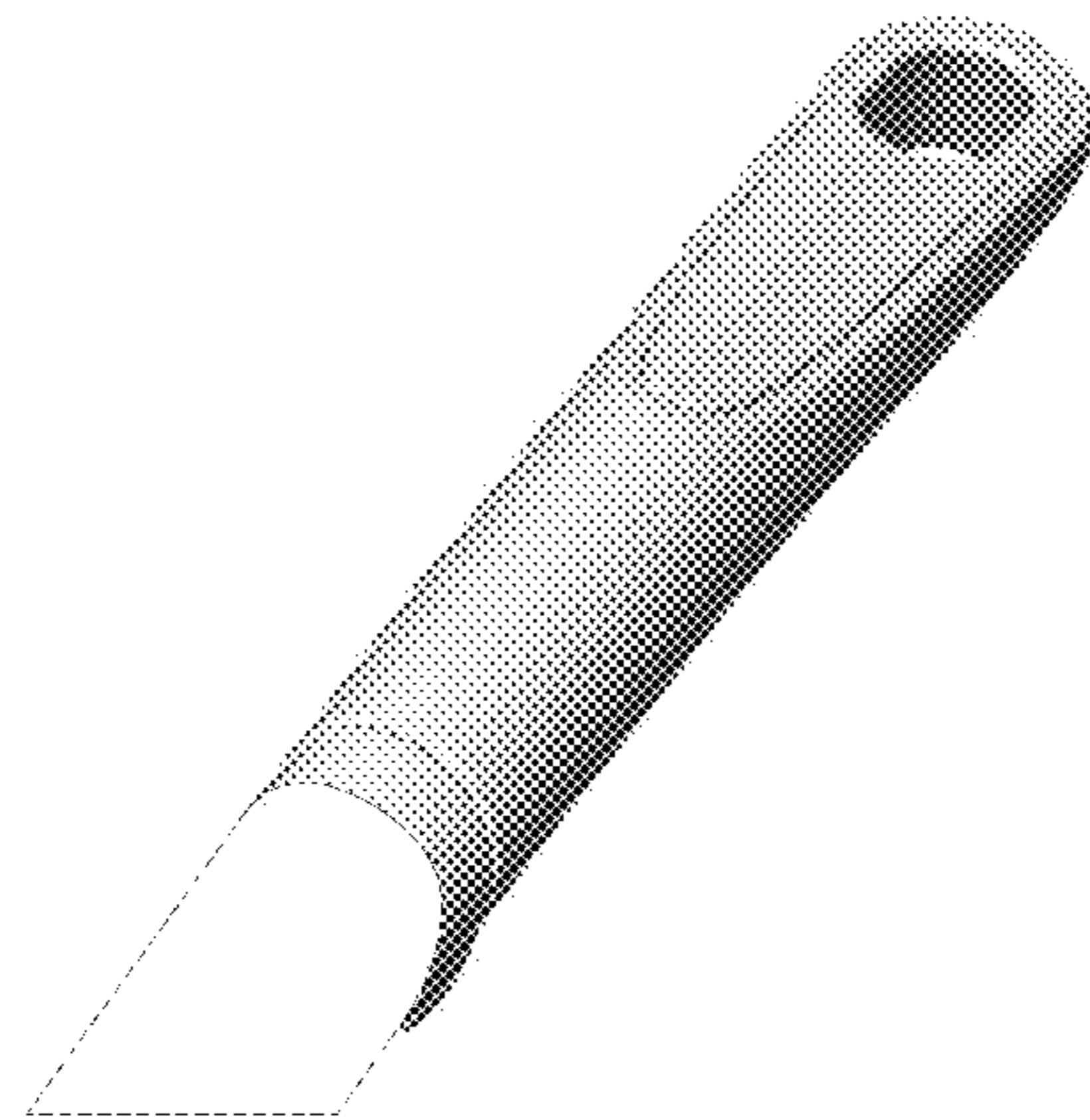
(57) **CLAIM**

The ornamental design for a handle for kitchen utensil, as shown and described.

DESCRIPTION

FIG. 1 is a front view of a handle for kitchen utensil, showing our new design;
FIG. 2 is a front perspective view thereof;
FIG. 3 is a rear perspective view thereof;
FIG. 4 is a rear view thereof; and,
FIG. 5 is a left side view thereof.
A right side view of the handle for kitchen utensil is omitted as it is symmetric in appearance to the left side view of FIG. 5.
The portions of the handle for kitchen utensil shown in broken lines form no part of the claimed design.
The dashed-dotted line showings of FIGS. 1-5 illustrate boundaries between the claimed design and environmental features.

1 Claim, 5 Drawing Sheets



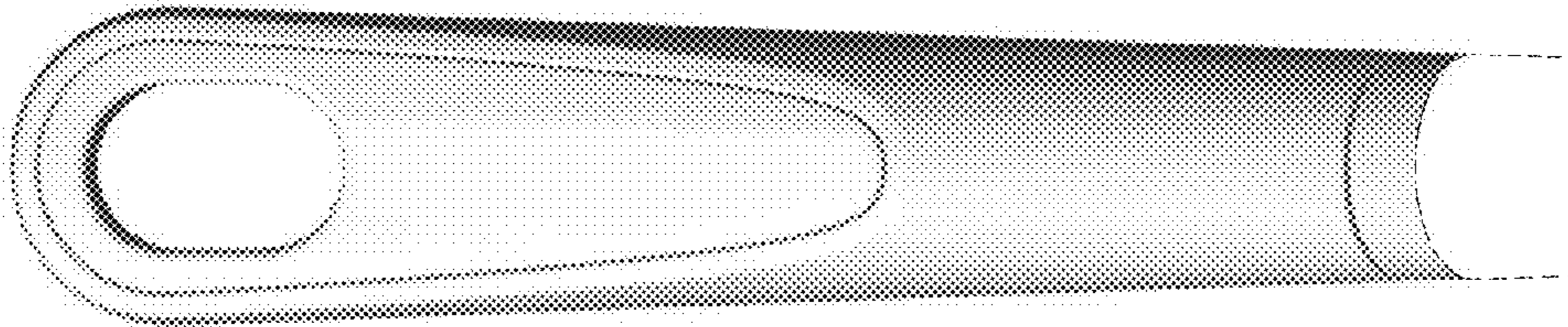


FIG. 1

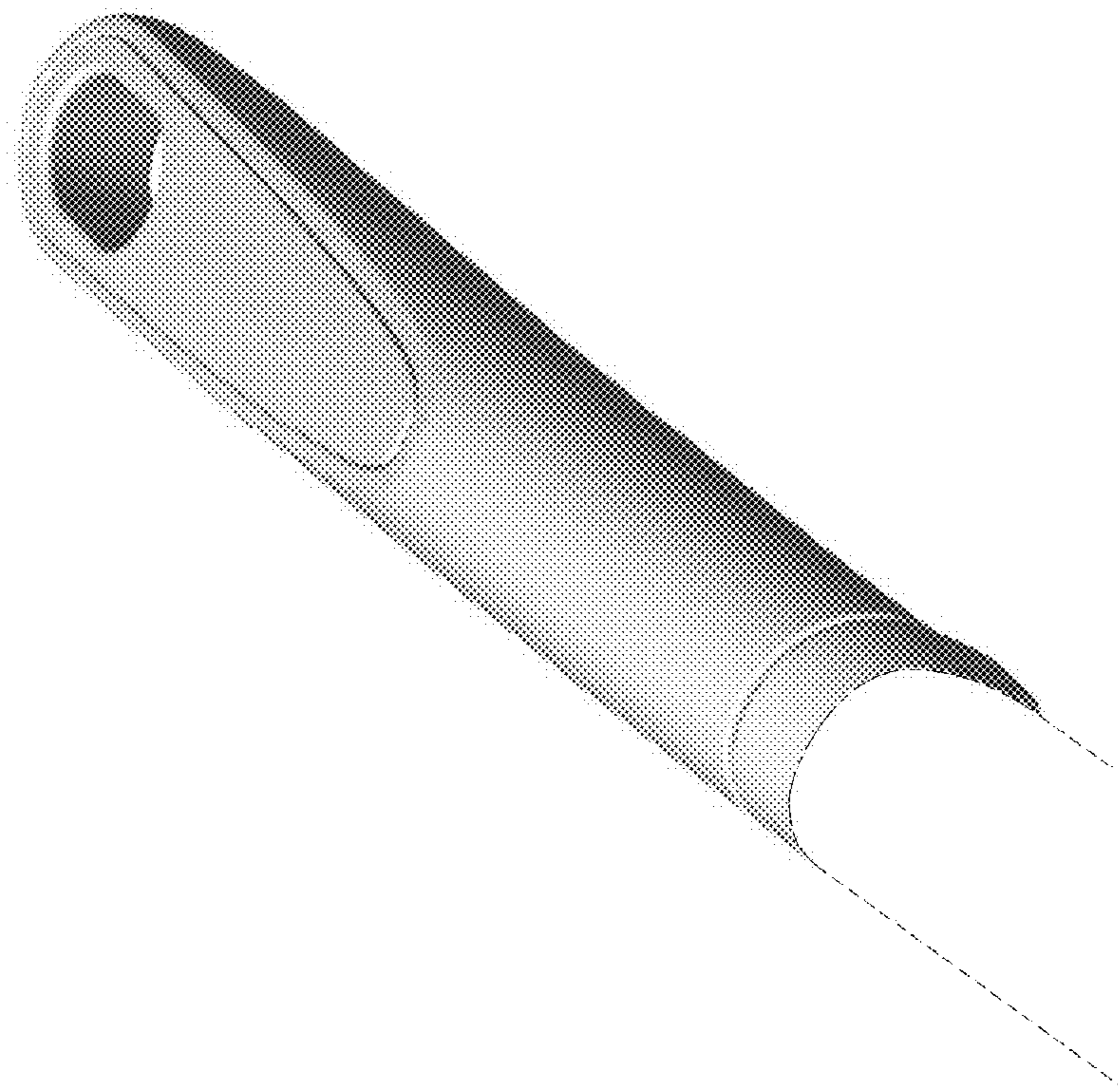


FIG. 2

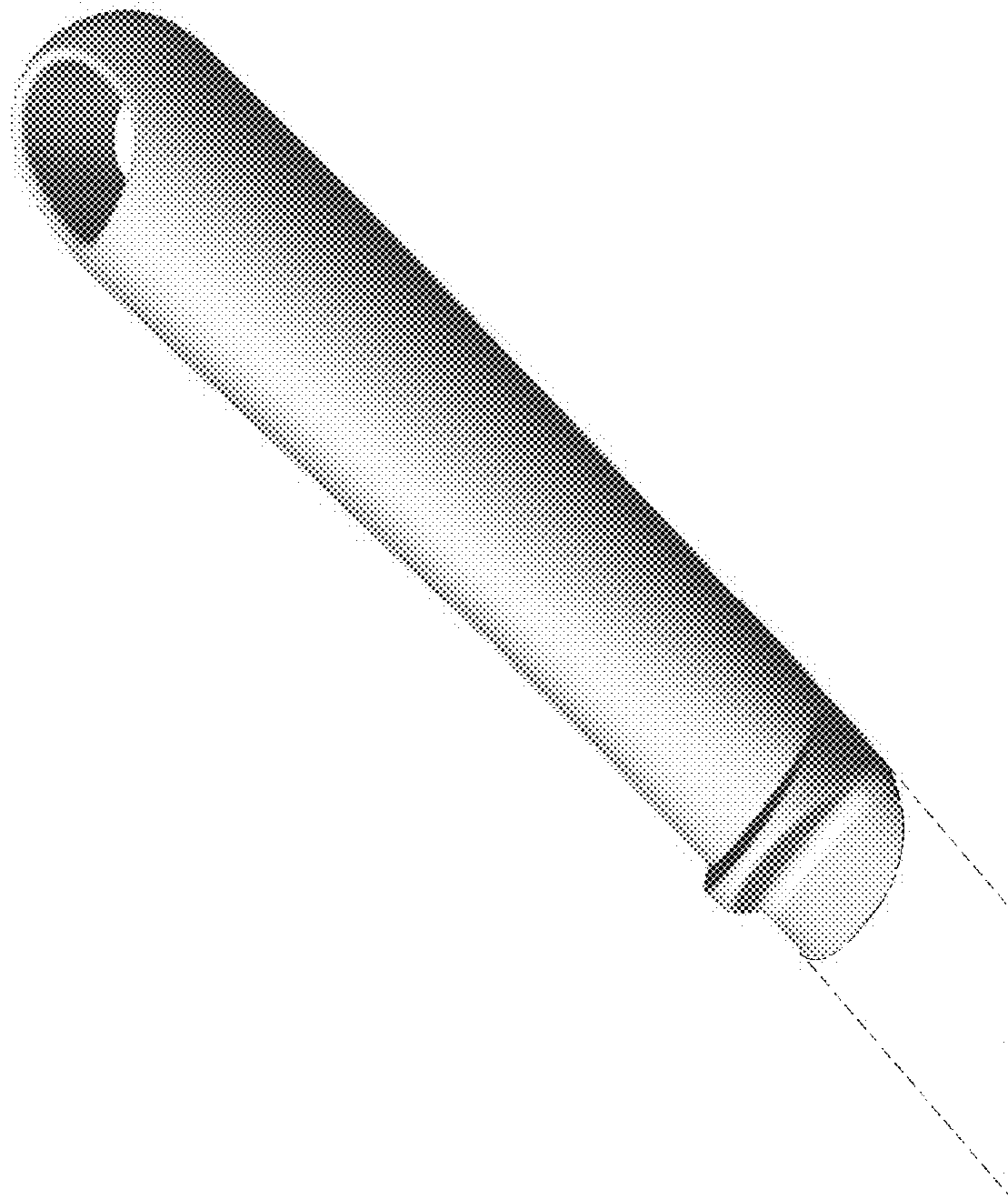


FIG. 3

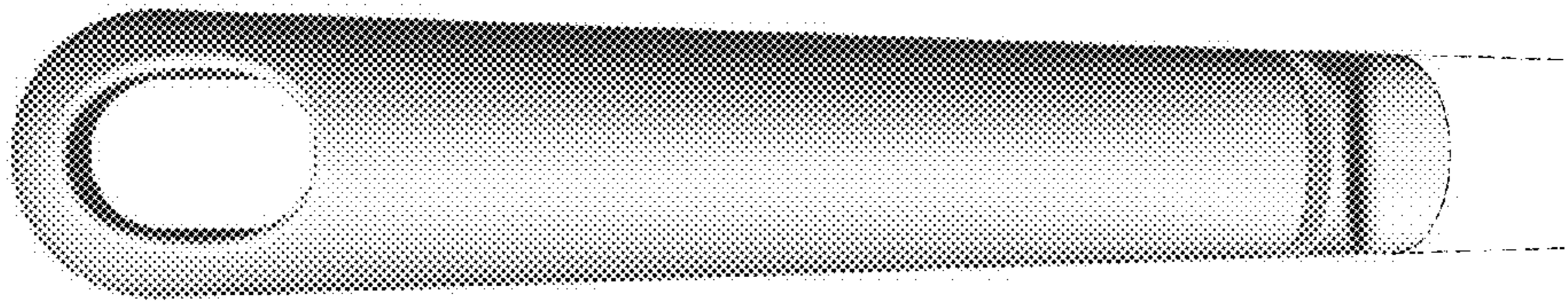


FIG. 4

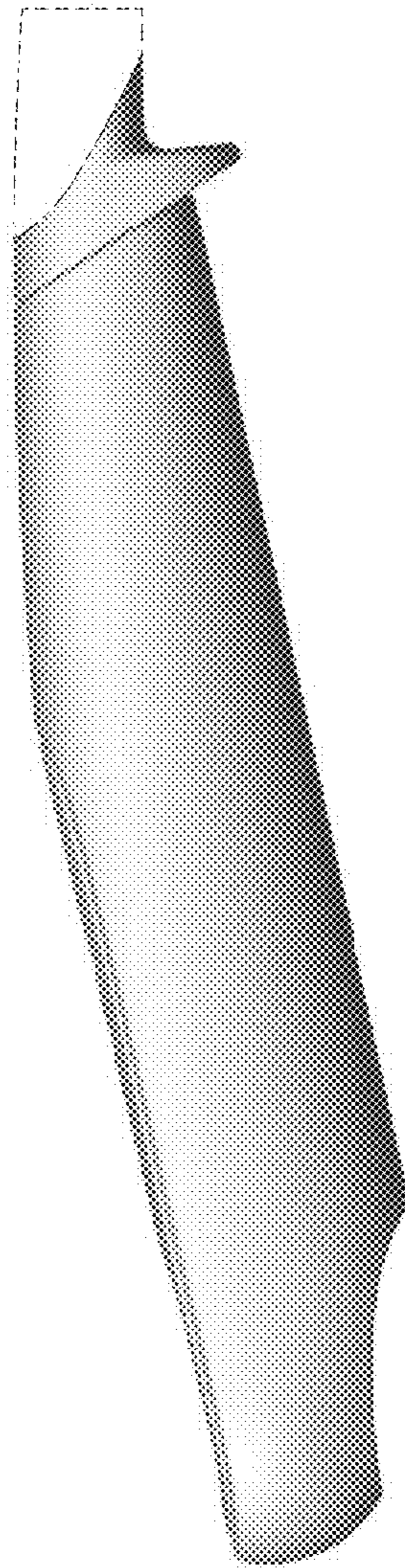


FIG. 5