



US00D765469S

(12) **United States Design Patent** (10) **Patent No.:** **US D765,469 S**
Hill et al. (45) **Date of Patent:** **** Sep. 6, 2016**

(54) **CONTAINER CLOSURE SYSTEM WITH HANDLE**

2,360,744 A 10/1944 Van Valkenburg et al.
2,524,639 A 10/1950 Saunders
2,981,562 A 4/1961 Long
3,419,193 A * 12/1968 Stewart F42D 1/10
222/183

(71) Applicants: **Nicholas Hill**, Bend, OR (US); **John Herrick**, Sunriver, OR (US)

3,590,888 A 7/1971 Coleman
3,802,470 A 4/1974 Coleman

(72) Inventors: **Nicholas Hill**, Bend, OR (US); **John Herrick**, Sunriver, OR (US)

(Continued)

(73) Assignee: **DRINKTANKS CORPORATION**, Bend, OR (US)

FOREIGN PATENT DOCUMENTS

EP 1140692 10/2001
EP 2258629 12/2010

(**) Term: **15 Years**

OTHER PUBLICATIONS

(21) Appl. No.: **29/545,043**

SS Growler TM, The Stainless Steel Growler, Single bale design, elastomeric seal Non-repressurizable: only for storing short term 2L, <http://www.brewsuit.com/stainless-steel-growler.php>.

(22) Filed: **Nov. 9, 2015**

(Continued)

Related U.S. Application Data

(60) Division of application No. 29/484,731, filed on Mar. 12, 2014, now Pat. No. Des. 745,320, which is a continuation-in-part of application No. 13/931,038, filed on Jun. 28, 2013, now Pat. No. 8,887,959.

Primary Examiner — Cynthia M Chin

(74) *Attorney, Agent, or Firm* — Leber Patent Law P.C.

(51) **LOC (10) Cl.** **07-02**

(57) **CLAIM**

(52) **U.S. Cl.**

What is claimed is the ornamental design for a container closure system with handle, as shown and described.

USPC **D7/394**

(58) **Field of Classification Search**

DESCRIPTION

USPC D7/396.2, 300, 320, 321, 393, 394, 509, D7/511, 533, 536, 601, 619.1, 622, 624.3; D9/455

FIG. 1 is a top-side perspective view of a container closure and pressurization system and handle, showing the new design (the vessel, shown in phantom, does not form part of the present design);

CPC A47G 19/22; A47G 19/2205; A47G 19/2255; A47G 19/2272; A47G 21/18; A47G 21/184; A47G 21/185; A47G 21/186; A47G 21/189; B65D 77/283; B65D 77/286; A45F 2200/0583

FIG. 2 is a left-side elevational view thereof (the vessel is removed for clarity);

See application file for complete search history.

FIG. 3 is a rear elevational view thereof;

(56) **References Cited**

FIG. 4 is a right-side elevational view thereof;

U.S. PATENT DOCUMENTS

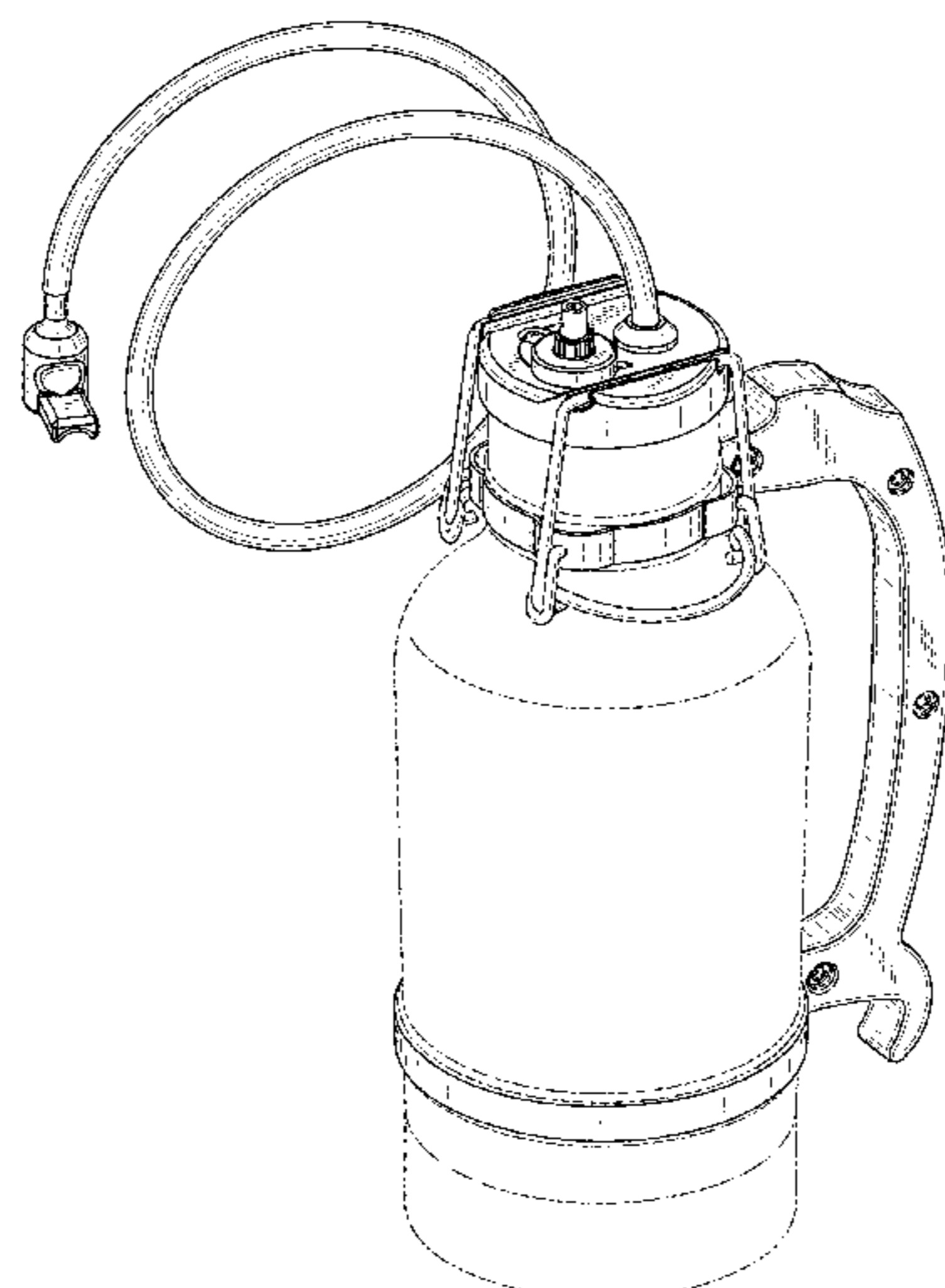
FIG. 5 is a bottom view thereof, in which the elements shown in broken lines do not form part of the present design;

200,666 A 2/1878 Outten
603,724 A * 5/1898 Broome B65D 45/24
215/239

FIG. 6 is a front elevational view thereof; and,

FIG. 7 is a top view thereof.

1 Claim, 7 Drawing Sheets



(56)

References Cited

U.S. PATENT DOCUMENTS

4,187,959 A 2/1980 Pelton
 4,372,336 A 2/1983 Cornell et al.
 4,456,135 A 6/1984 Beekes
 4,520,950 A 6/1985 Jeans
 4,658,979 A 4/1987 Mietz et al.
 4,666,197 A 5/1987 Watson et al.
 4,842,158 A 6/1989 Reyes, Jr.
 4,982,869 A 1/1991 Robbins, III
 5,045,077 A 9/1991 Blake, III
 D331,684 S 12/1992 Trombley
 5,199,609 A 4/1993 Ash, Jr.
 D362,371 S 9/1995 Williams et al.
 D366,601 S * 1/1996 Oroudjian D7/622
 5,487,482 A 1/1996 Rocheleau
 5,582,320 A * 12/1996 Lin A45F 3/16
 215/229
 5,944,229 A 8/1999 Rokkjaer
 6,241,415 B1 6/2001 Stark
 6,729,665 B1 * 5/2004 Posey B65D 23/106
 215/396
 6,745,922 B1 6/2004 Vlooswijk et al.
 6,783,034 B1 8/2004 Brent
 6,979,031 B2 * 12/2005 Coppotelli A47G 23/0258
 16/425
 7,581,770 B2 9/2009 Jones
 D615,366 S 5/2010 Berezansky
 D617,194 S 6/2010 Jones
 D636,640 S 4/2011 Latham

8,011,529 B2 * 9/2011 Lien A45F 3/16
 220/703
 8,827,106 B2 * 9/2014 Windmiller B65D 1/06
 215/229
 8,899,644 B2 12/2014 Hancey
 D740,618 S * 10/2015 Knoll D7/622
 2002/0092858 A1 * 7/2002 Bowman A45F 3/16
 220/709
 2003/0168462 A1 * 9/2003 Kiyota B65D 47/32
 220/709
 2005/0056652 A1 * 3/2005 Cezeaux A45F 3/16
 220/709
 2005/0077304 A1 * 4/2005 Connelly A47G 19/2266
 220/709
 2007/0267425 A1 * 11/2007 Gill A45F 3/16
 220/709
 2007/0272651 A1 11/2007 DiPasquale
 2011/0226806 A1 9/2011 O'Dougherty et al.
 2012/0312832 A1 12/2012 Lane
 2014/0001205 A1 1/2014 Hodges et al.

OTHER PUBLICATIONS

The Brauler Modular Growler System: Food grade SS (18/8), 2L single walled Screw//threaded lid design, FreshCap: accessory CO2 cap keeps the beer freshly carbonated longer, <http://thezythosproject.com>.
 HydroFlask: 64 oz Wide Mouth Vacuum Insulated Stainless Steel Growler, <http://www.hydroflask.com/products/64-oz-wide-mouth-vacuum-insulated-stainless-steel-growler.html>.

* cited by examiner

FIG. 1

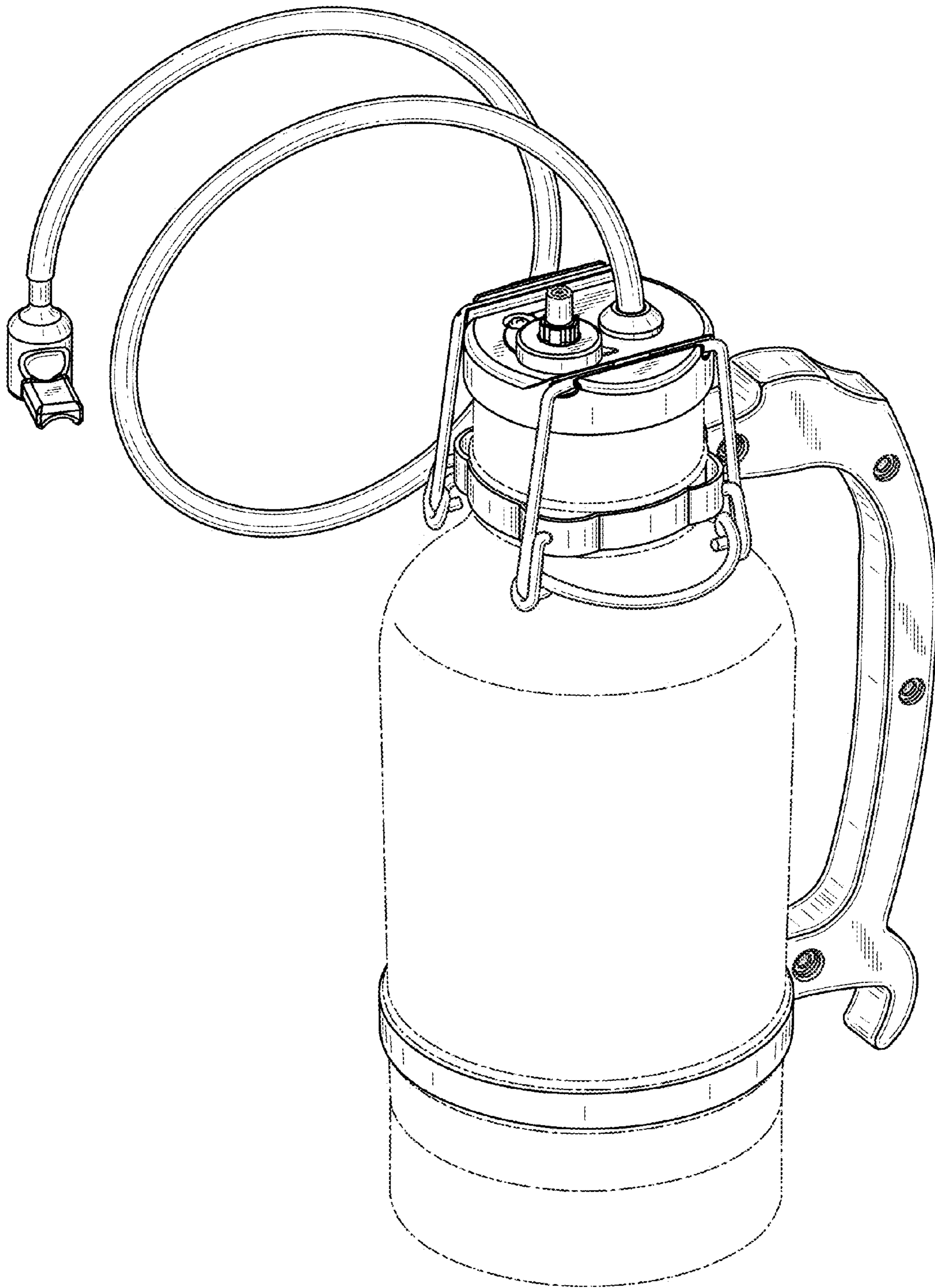


FIG. 2

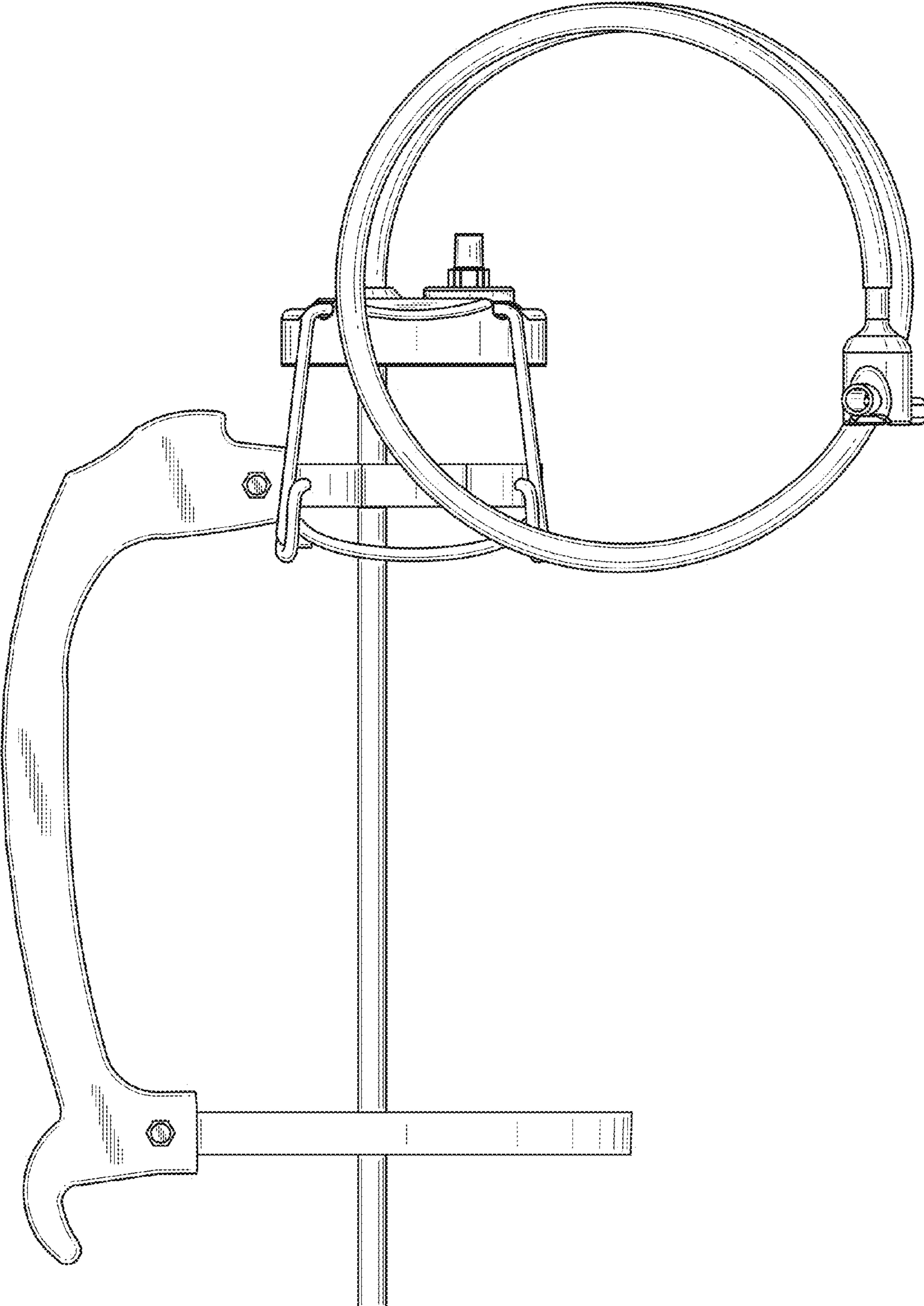


FIG. 3

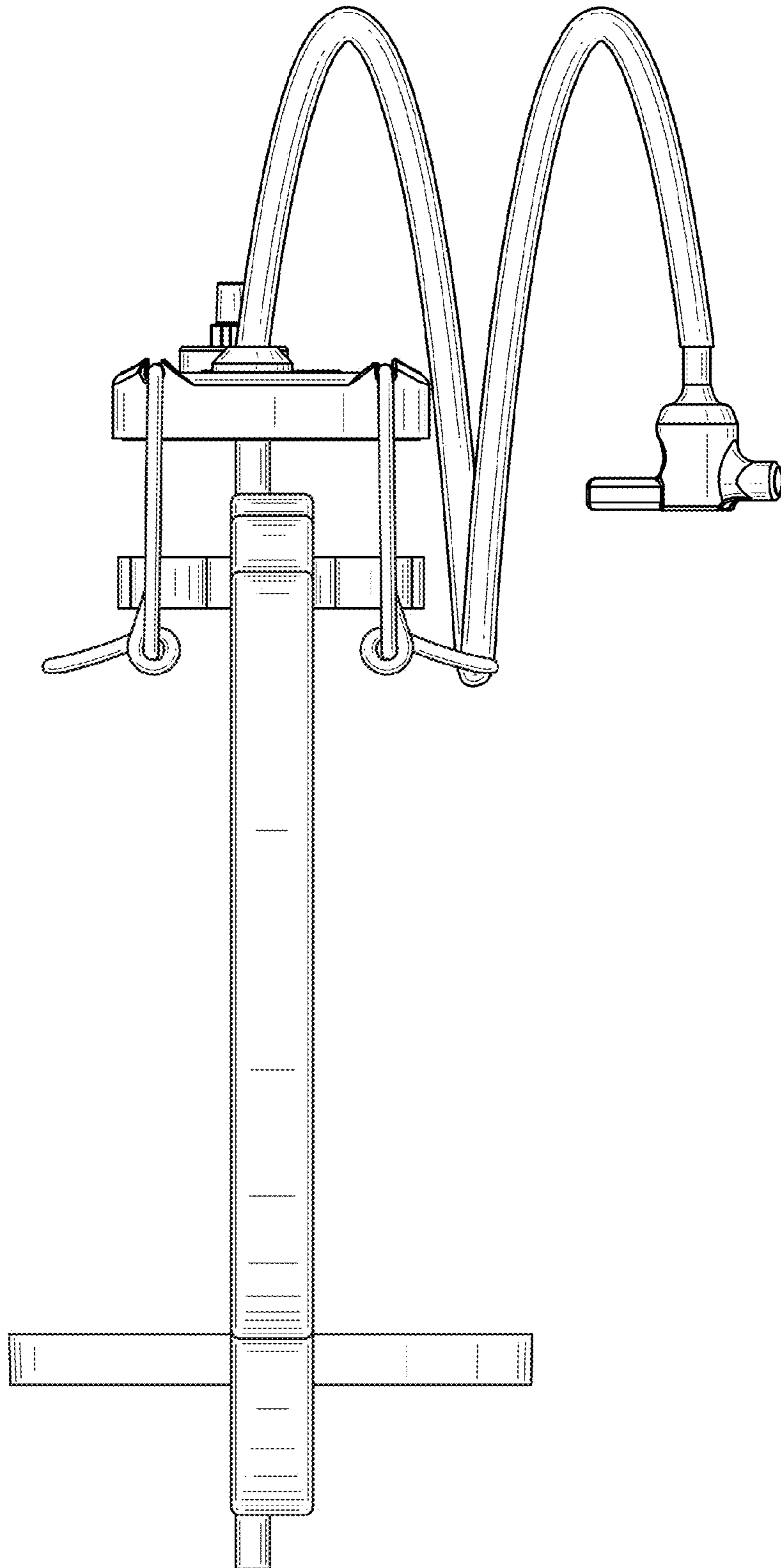


FIG. 4

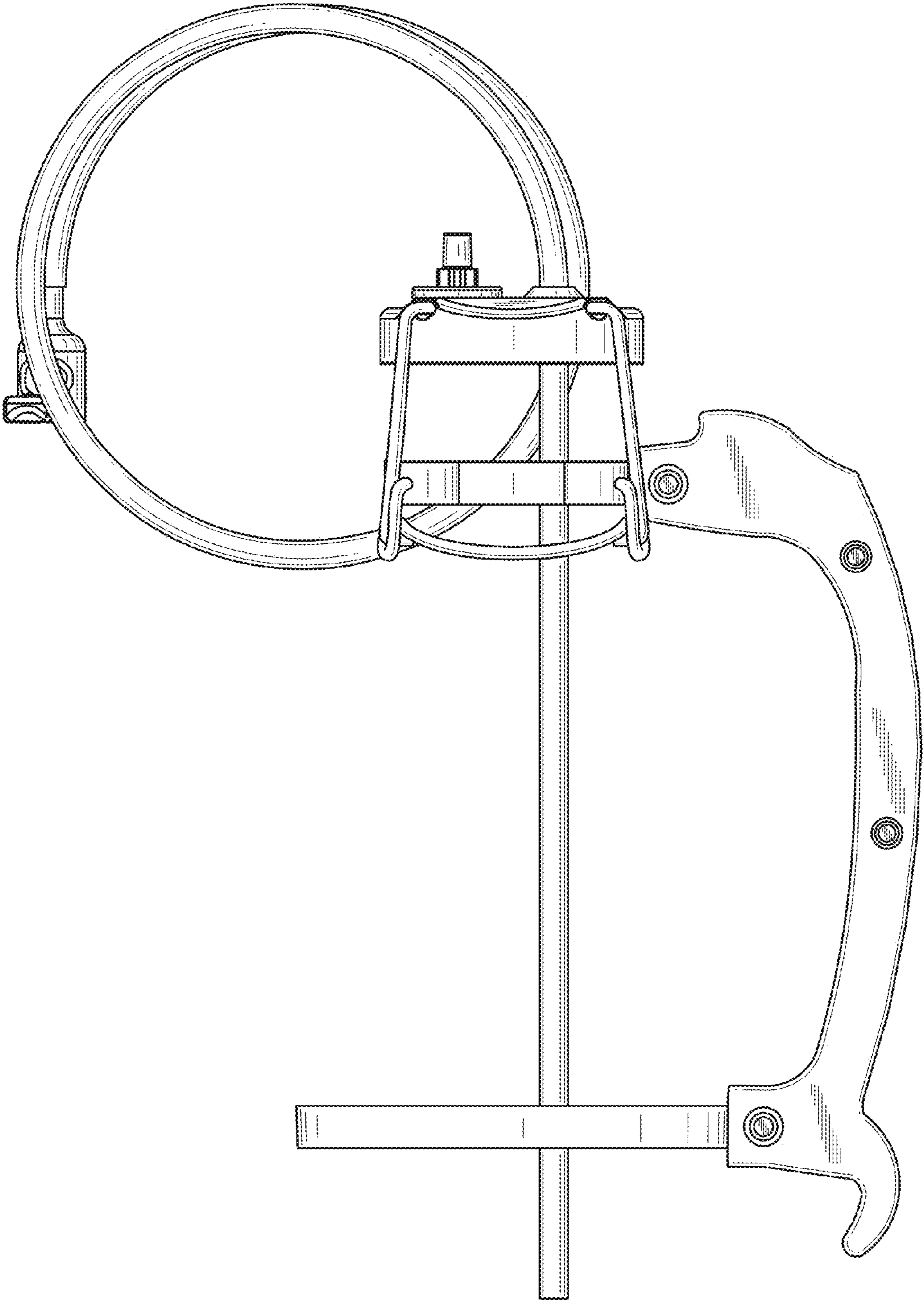


FIG. 5

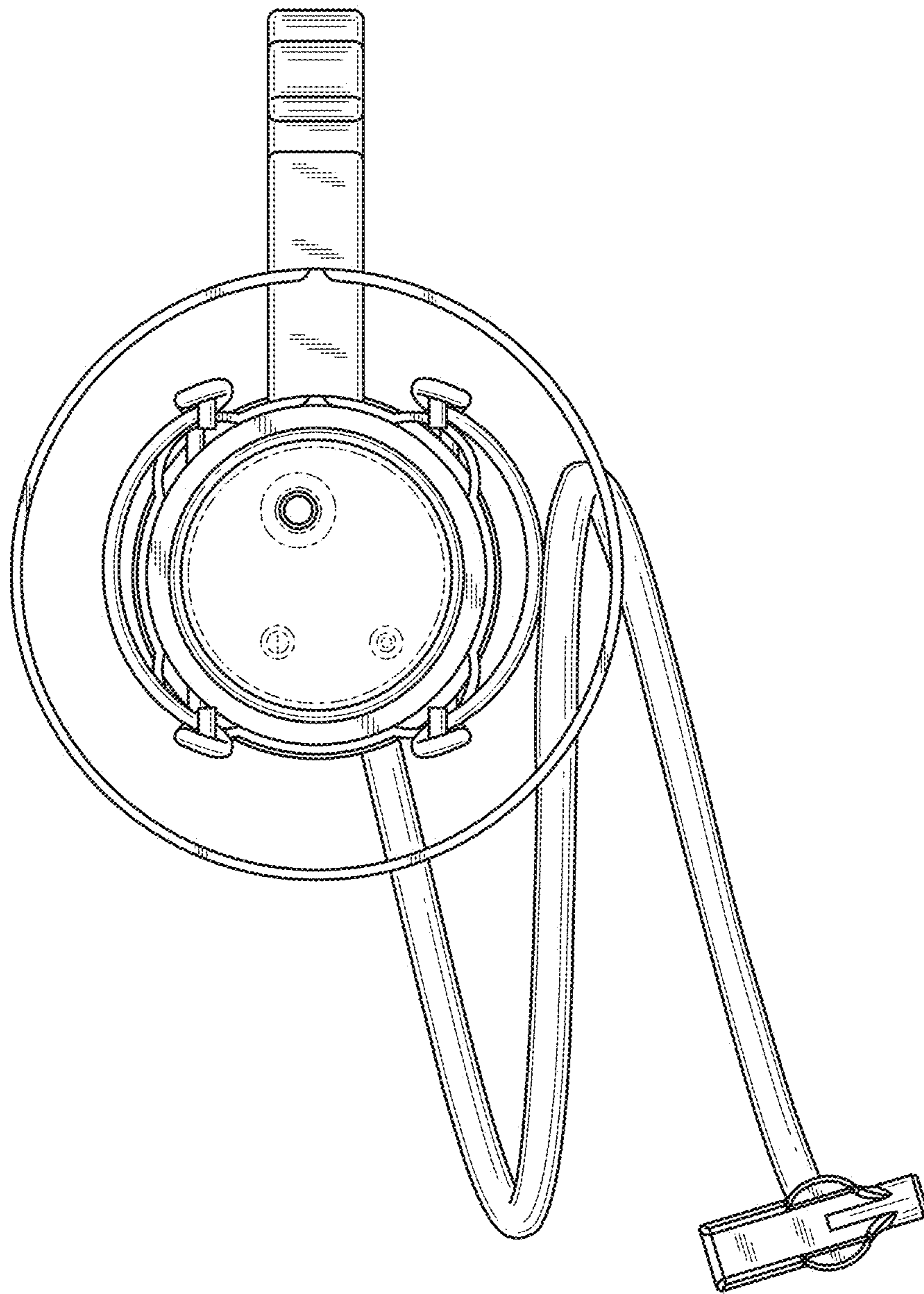


FIG. 6

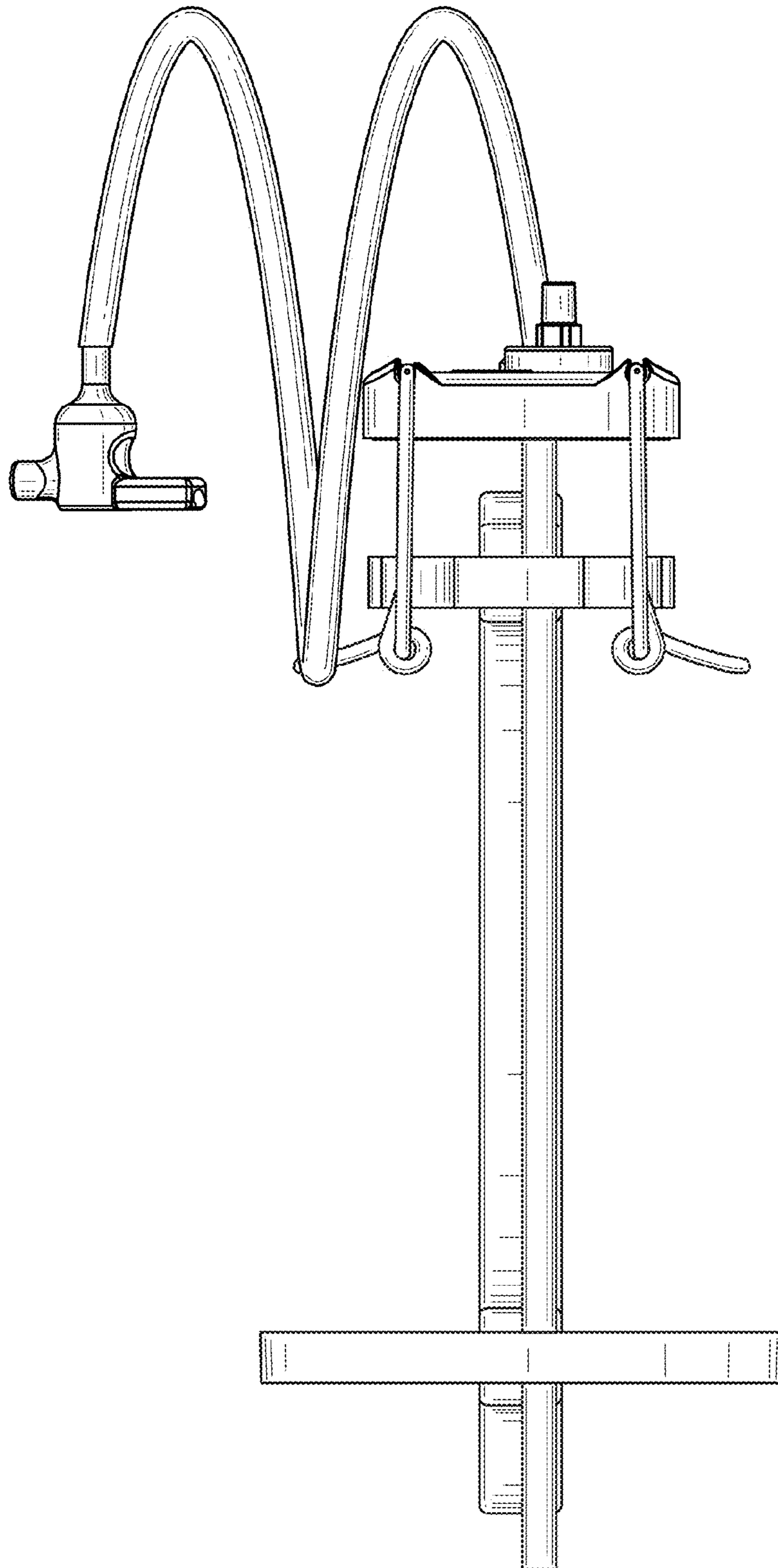


FIG. 7

