



US00D765468S

(12) **United States Design Patent**  
**Yen**

(10) **Patent No.:** **US D765,468 S**

(45) **Date of Patent:** **\*\* Sep. 6, 2016**

(54) **FOOD CONTAINER-SHAPED CAP**

(71) Applicant: **Chin Chu Yen**, New Taipei (TW)

(72) Inventor: **Chin Chu Yen**, New Taipei (TW)

(\*\*) Term: **14 Years**

(21) Appl. No.: **29/524,369**

(22) Filed: **Apr. 20, 2015**

(51) **LOC (10) Cl.** ..... **07-01**

(52) **U.S. Cl.**

USPC ..... **D7/392.1**; D7/396.2; D9/447; D9/454

(58) **Field of Classification Search**

USPC ..... D7/505-511, 523, 529, 530, 532, 543,  
D7/550.1, 553.2, 554.3, 592, 396.2, 531,  
D7/396.4, 512, 607, 513, 392.1; D3/205,  
D3/202, 901; D9/715, 719, 721, 739, 517,  
D9/690, 682, 691, 748, 516, 553, 775, 773,  
D9/429, 454, 448, 445, 440, 435, 424, 425,  
D9/447; D6/542, 534, 535, 512, 513, 514,  
D6/515, 524, 527, 528, 530, 531; 206/520,  
206/217; 220/592.16, 592.17, 703;  
215/400, 403; D28/9, 99, 73; D19/95;  
D11/144, 153

CPC .. A47G 19/22; A47G 19/2205; B65D 1/265;  
B65D 3/06

See application file for complete search history.

(56) **References Cited**

**U.S. PATENT DOCUMENTS**

2,493,633	A	*	1/1950	Mart	.....	B65D 1/265
						206/519
D194,291	S	*	12/1962	Gwilym	.....	D9/440
D222,375	S	*	10/1971	Beneik	.....	D7/523
D285,179	S	*	8/1986	Browne	.....	D22/122
D291,620	S	*	9/1987	Porchia	.....	D1/105
D304,514	S	*	11/1989	Vezerian	.....	D7/503
D341,779	S	*	11/1993	Lewis	.....	D9/435
D389,061	S	*	1/1998	Ebrahim	.....	D7/392.1
D400,398	S	*	11/1998	McNaughton	.....	D7/503

D533,404	S	*	12/2006	Mansfield	.....	D7/513
D539,091	S	*	3/2007	Mansfield	.....	D7/509
D542,652	S	*	5/2007	Moribata	.....	D9/435
D572,533	S	*	7/2008	Mansfield	.....	D7/509
D595,537	S	*	7/2009	Mansfield	.....	206/219
D596,461	S	*	7/2009	Mansfield	.....	D7/509
D607,276	S	*	1/2010	Ahlm	.....	D7/513
D607,277	S	*	1/2010	Ahlm	.....	D7/513
D607,692	S	*	1/2010	Skala	.....	D7/523
D620,757	S	*	8/2010	Ahlm	.....	D7/509
D642,918	S	*	8/2011	Taylor	.....	D9/453
D657,669	S	*	4/2012	Collins	.....	D9/434
D681,888	S	*	5/2013	Fang	.....	D30/132
D684,011	S	*	6/2013	Fallas	.....	D7/513
D700,478	S	*	3/2014	Simmons	.....	D7/501
D707,557	S	*	6/2014	Corradini	.....	D9/436
D712,203	S	*	9/2014	Lordi	.....	D7/523
D737,100	S	*	8/2015	Ross	.....	D7/523

(Continued)

*Primary Examiner* — Marianne Pandozzi

*Assistant Examiner* — Jae Liang

(74) *Attorney, Agent, or Firm* — Ming Chow; Sinorica, LLC

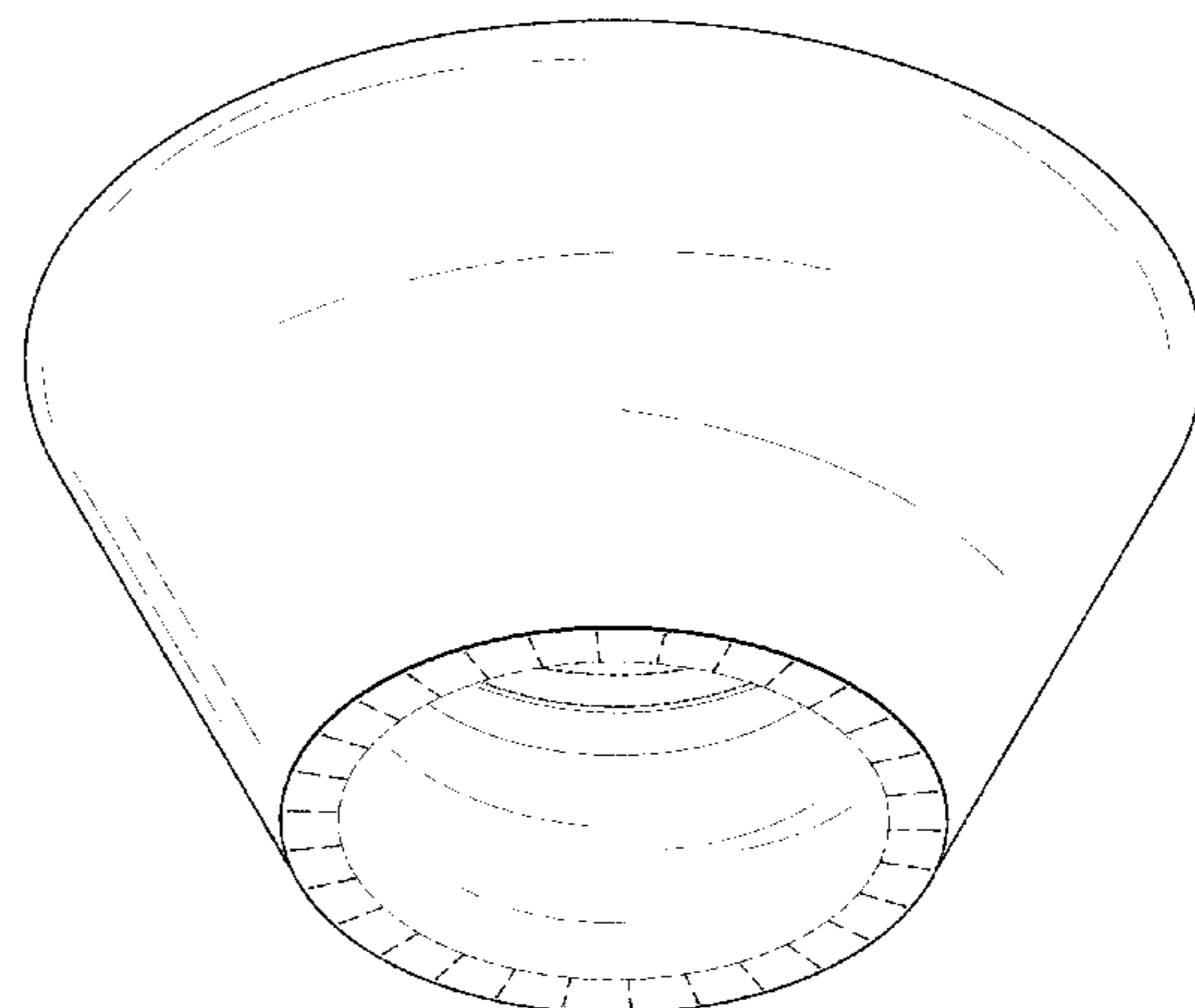
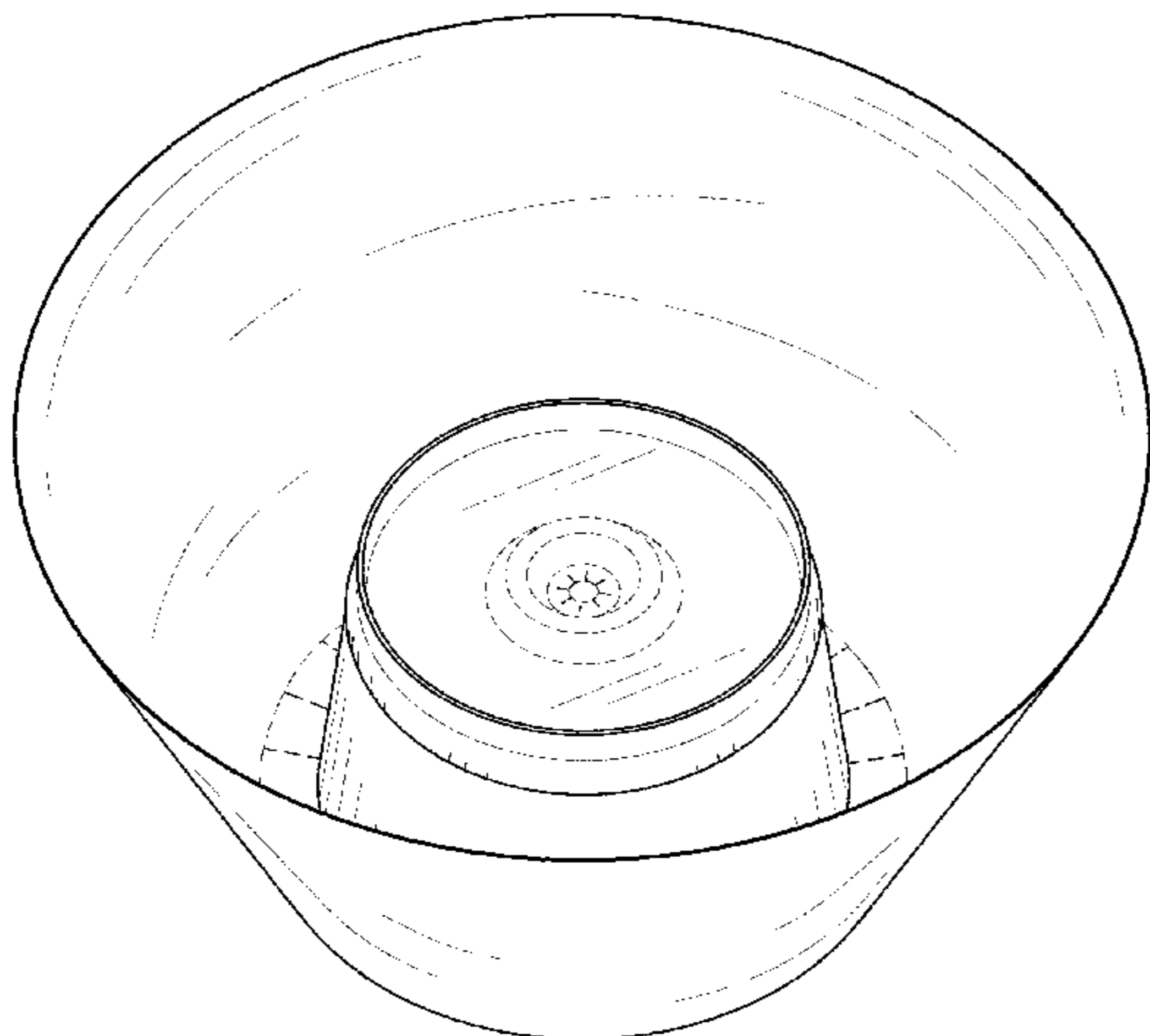
(57) **CLAIM**

The ornamental design for a food container-shaped cap, as shown and described.

**DESCRIPTION**

FIG. 1 is a perspective view of a food container-shaped cap showing my new design;  
 FIG. 2 is a front view thereof;  
 FIG. 3 is a rear view thereof;  
 FIG. 4 is a left side view thereof;  
 FIG. 5 is a right side view thereof;  
 FIG. 6 is a top view thereof;  
 FIG. 7 is a bottom view thereof; and,  
 FIG. 8 is a rear perspective view thereof.  
 The broken lines in the drawing depict portions of the food container-shaped cap that form no part of the claimed design.

**1 Claim, 8 Drawing Sheets**



# US D765,468 S

Page 2

---

(56)

## References Cited

2007/0199940 A1\* 8/2007 Skala ..... A47G 19/2205  
220/506

### U.S. PATENT DOCUMENTS

D746,632 S \* 1/2016 Ploss ..... D7/397  
2006/0021986 A1\* 2/2006 Mansfield ..... A47G 19/2205  
220/506

\* cited by examiner

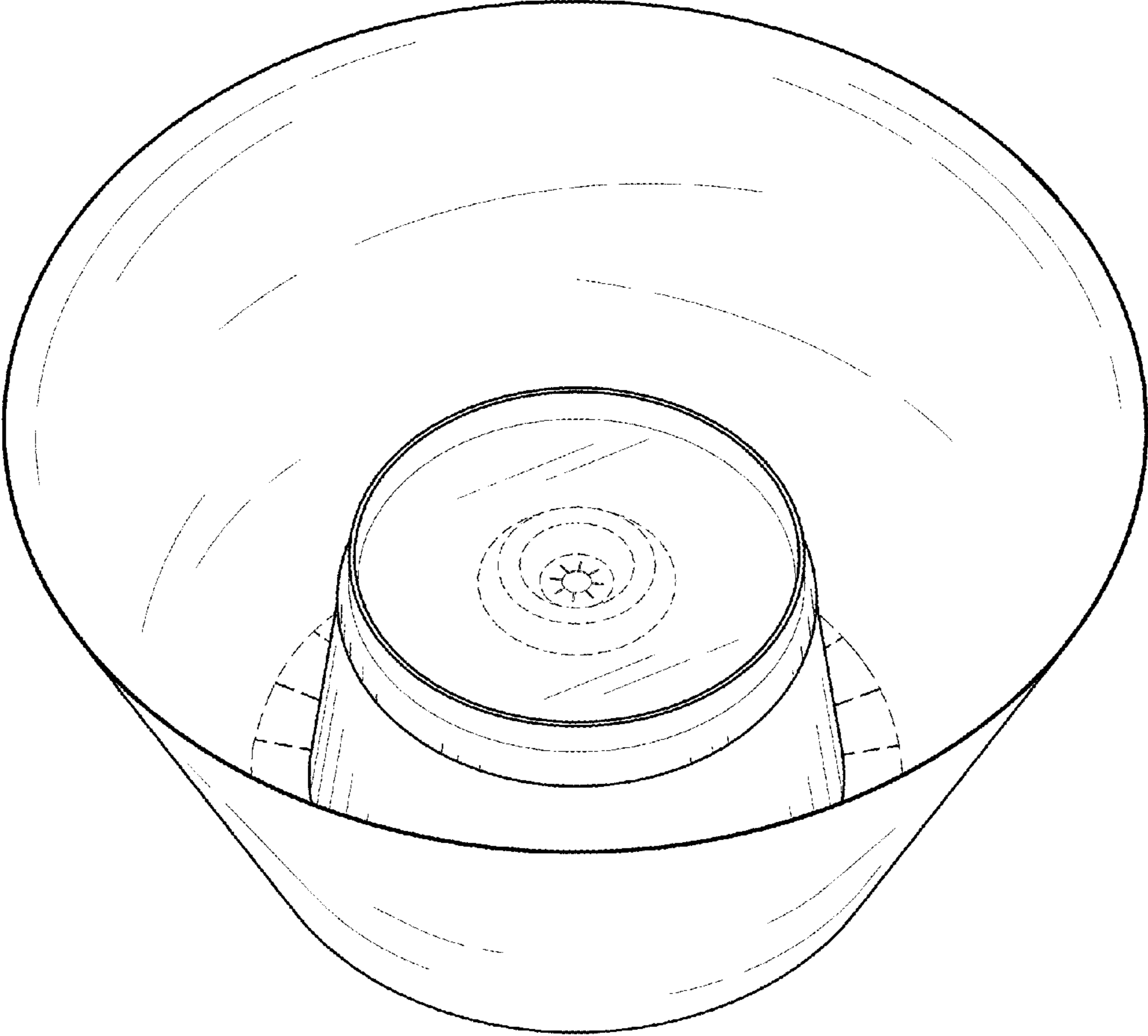


FIG. 1

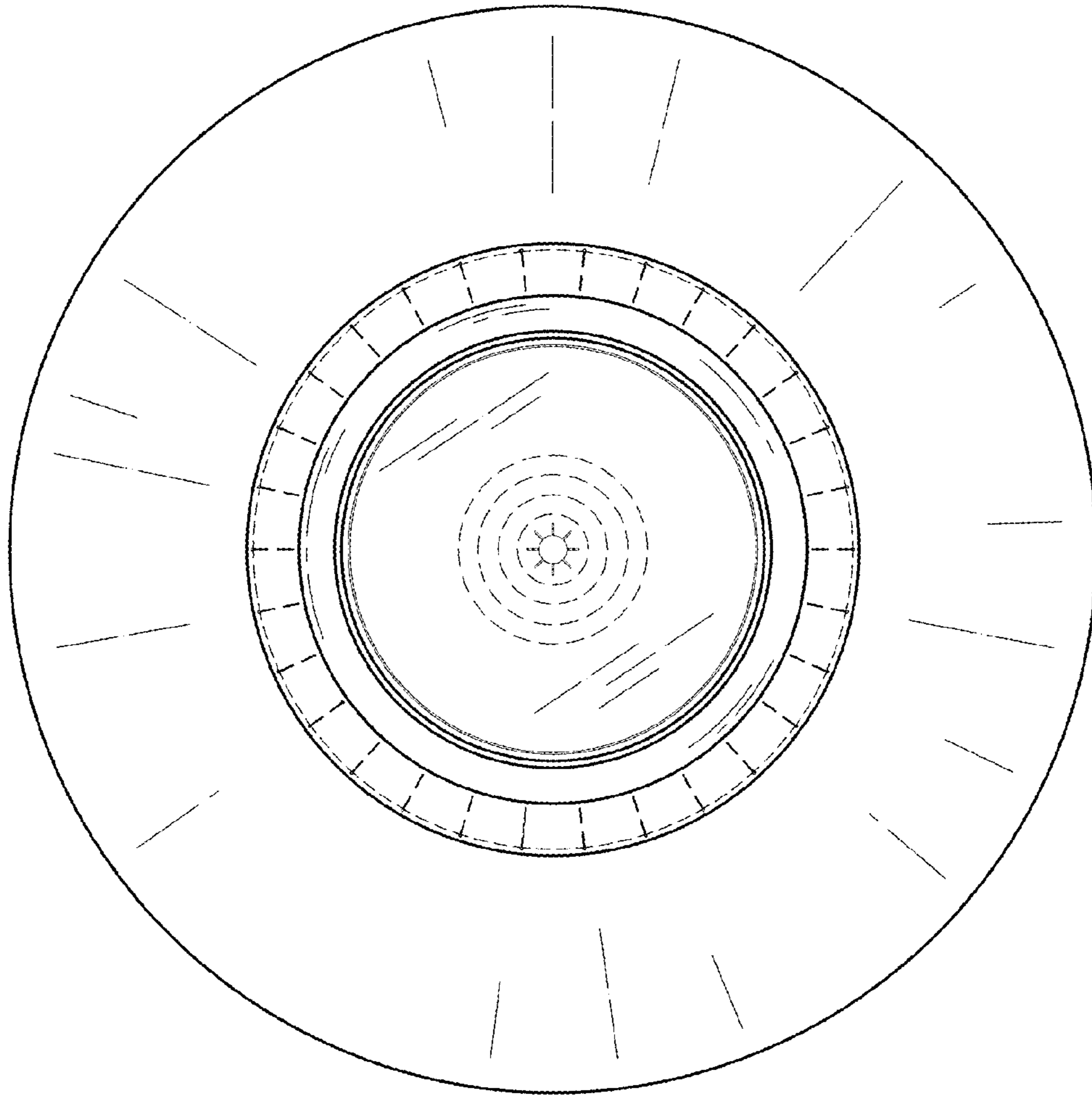


FIG. 2

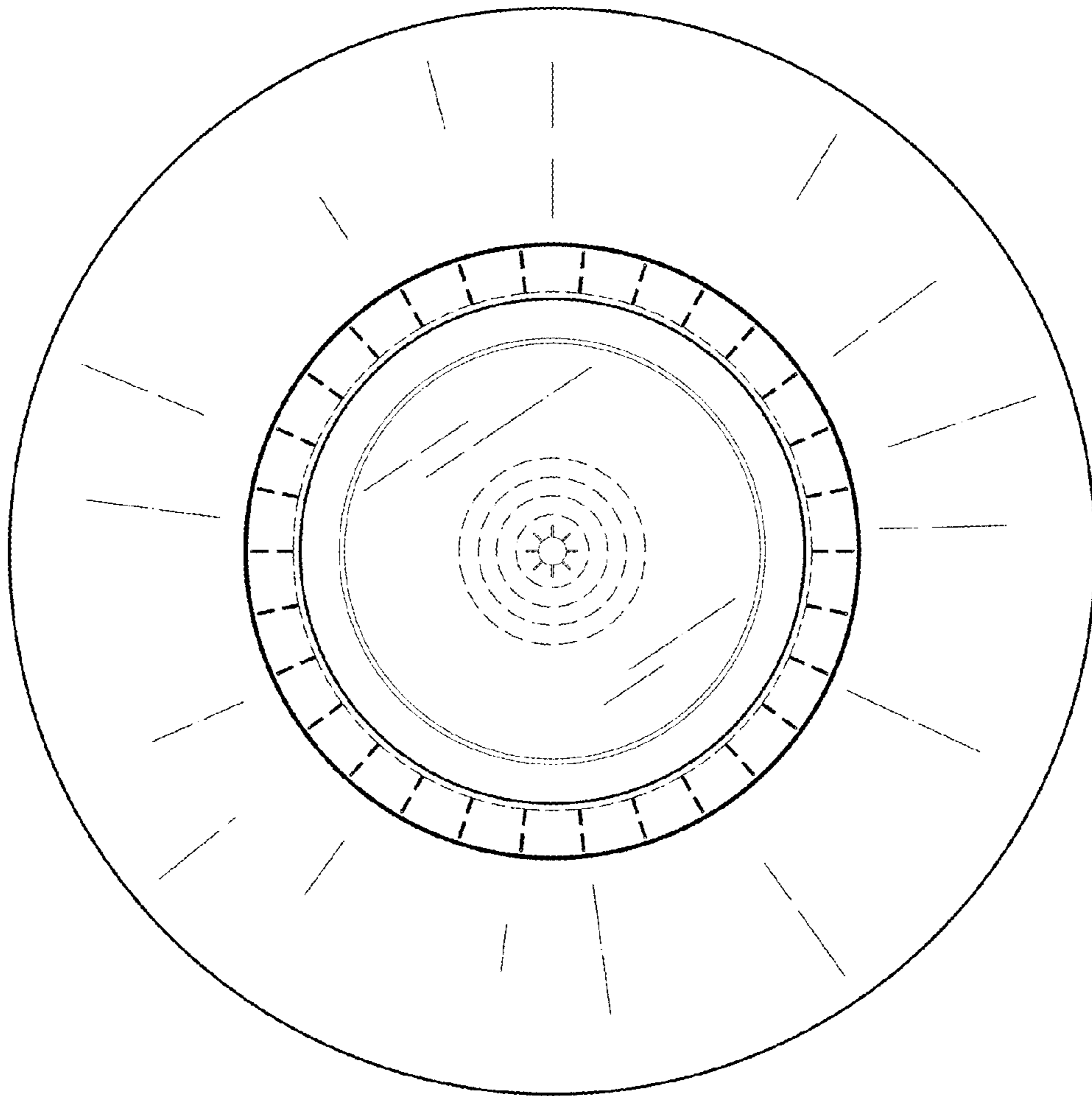


FIG. 3

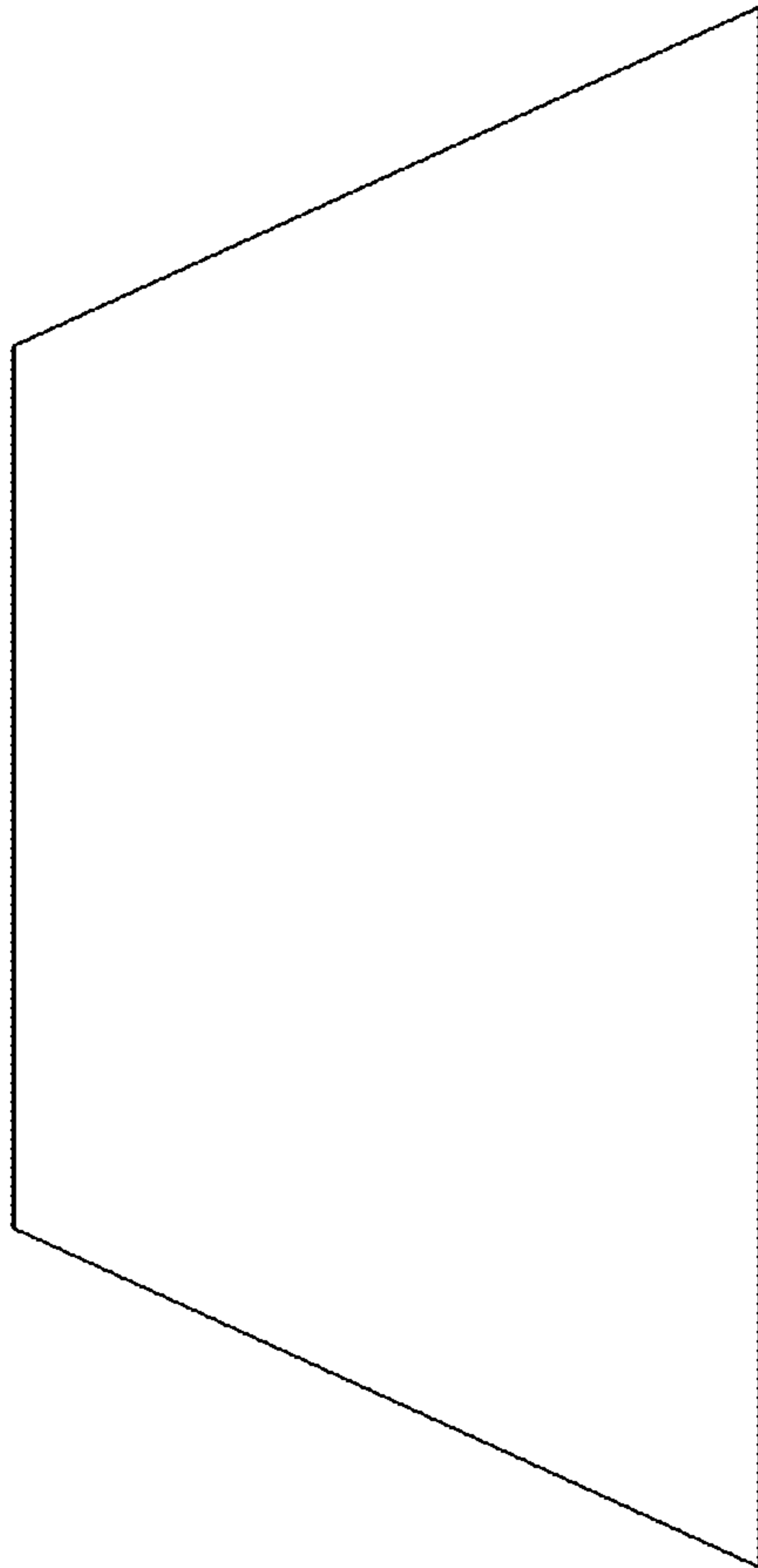


FIG. 4

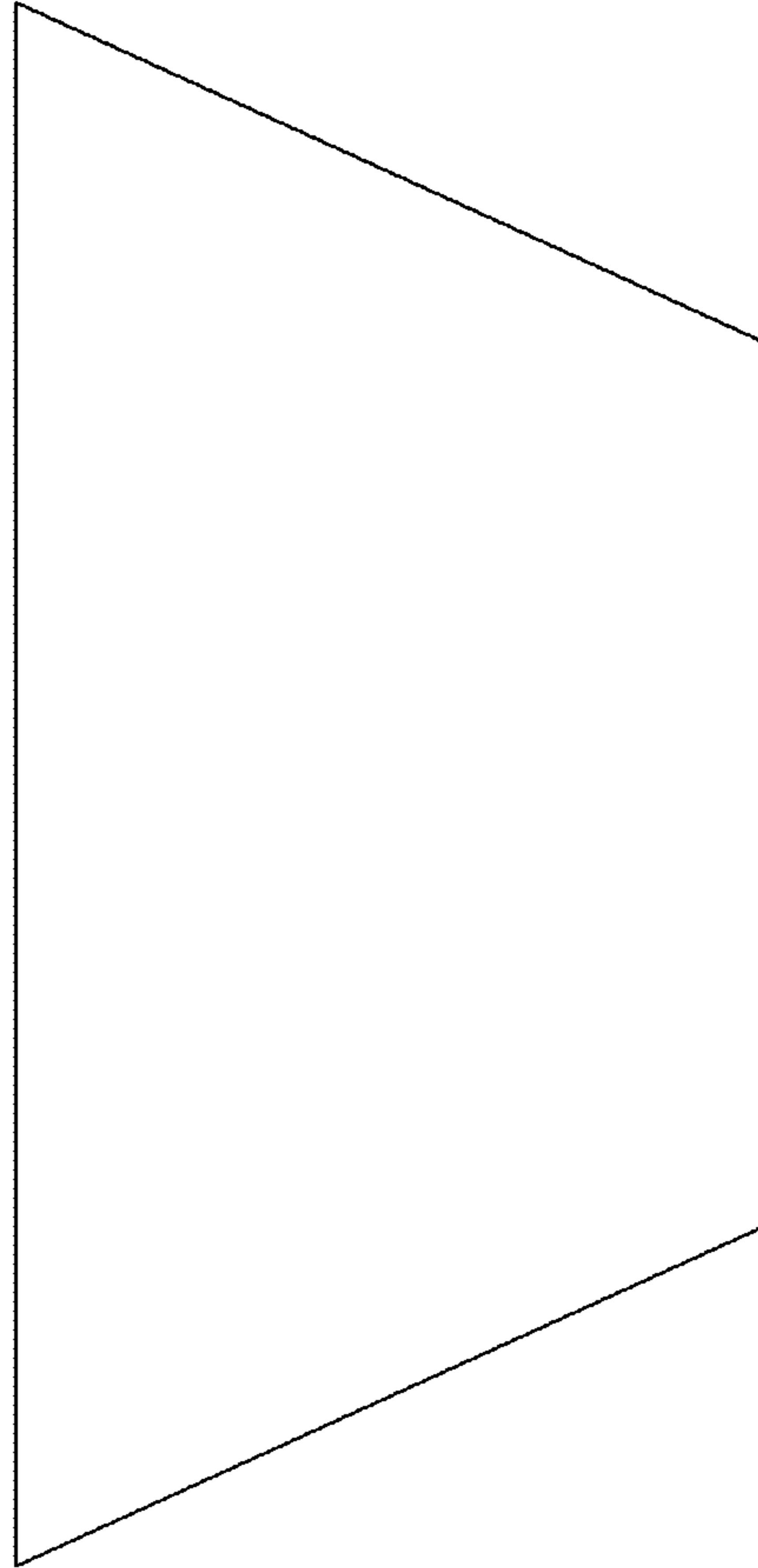


FIG. 5

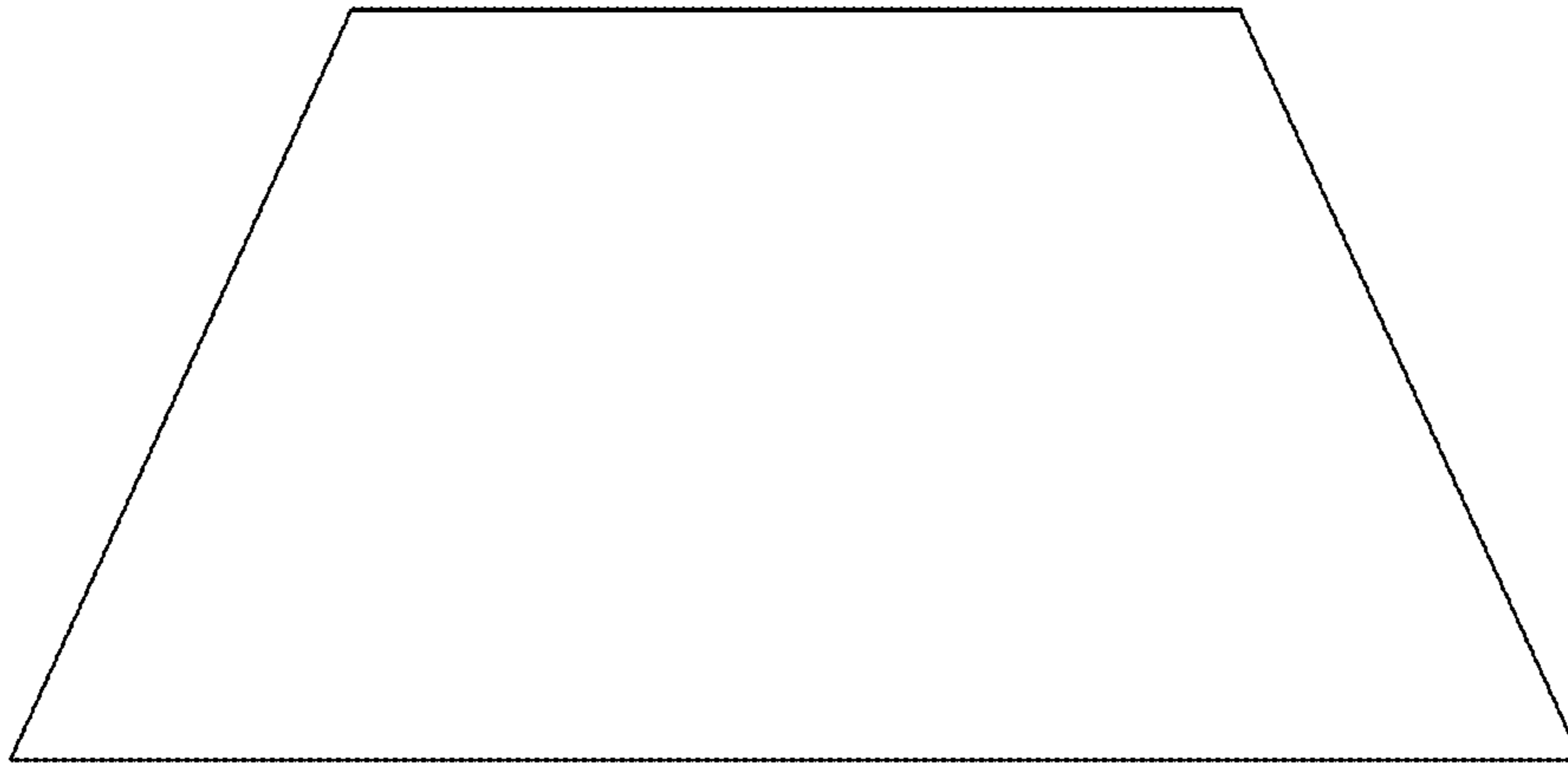


FIG. 6



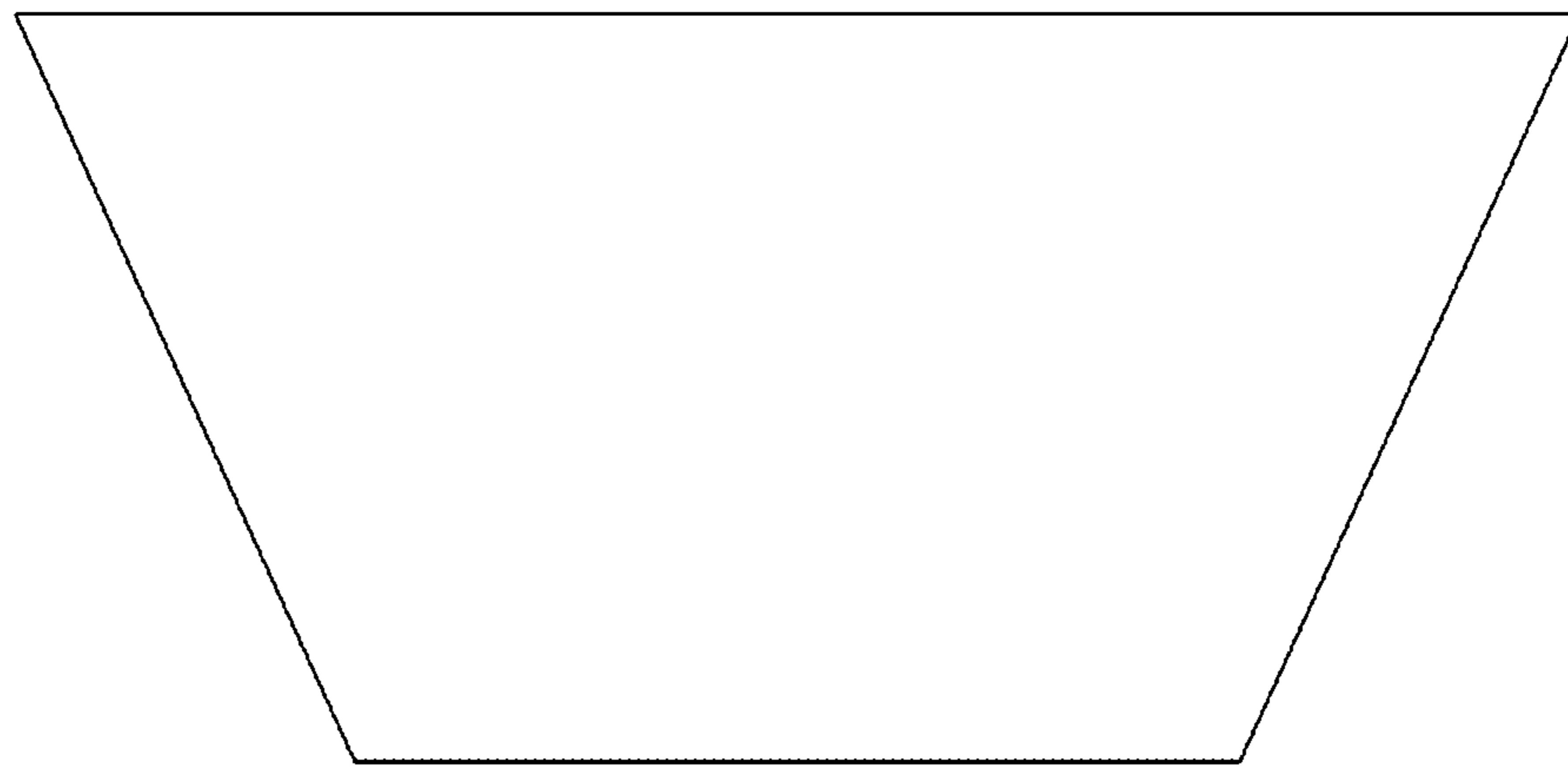


FIG. 7

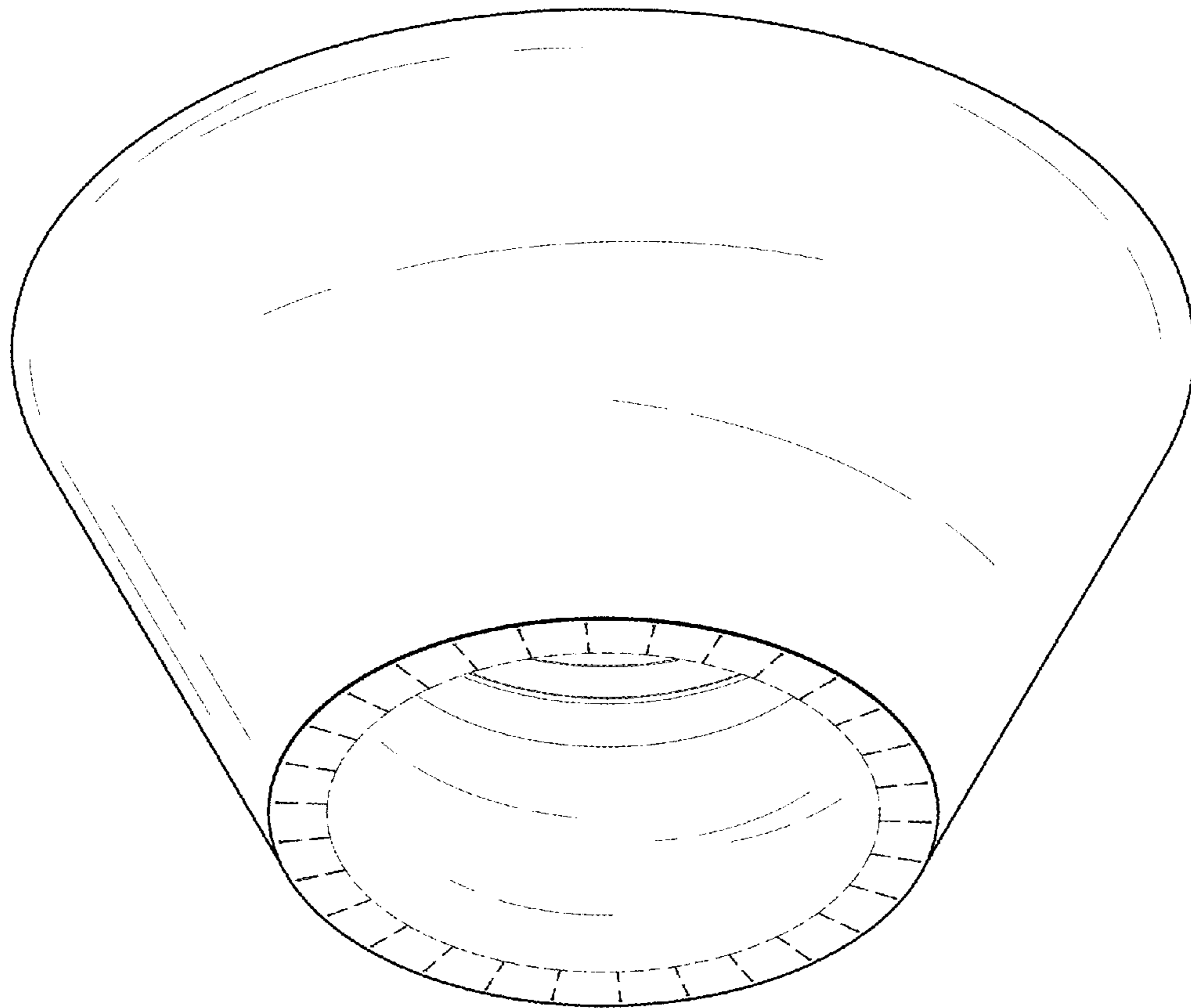


FIG. 8