

US00D765467S

(12) **United States Design Patent** (10) **Patent No.:** **US D765,467 S**
McDonald et al. (45) **Date of Patent:** **** Sep. 6, 2016**

(54) **PORTION OF A WATER PITCHER LID**

(71) Applicant: **Brita LP**, Oakland, CA (US)

(72) Inventors: **Jonathan McDonald**, Pleasanton, CA (US); **David Deacon**, Causeway (HK)

(73) Assignee: **Brita LP**, Oakland, CA (US)

(**) Term: **15 Years**

(21) Appl. No.: **29/545,510**

(22) Filed: **Nov. 13, 2015**

(51) **LOC (10) Cl.** **07-99**

(52) **U.S. Cl.**

USPC **D7/392; D7/392.1; D7/400; D7/397**

(58) **Field of Classification Search**

USPC D7/300.1, 510, 511, 598, 599, 600, 608, D7/515, 523, 312, 306, 300, 316-319, 400, D7/398, 397, 399, 401, 392.1, 392; 169/71; D9/680; D22/112; 102/486; D29/125, 126; 220/713, 715, 739; D23/209; D10/46.2; 210/264, 321.6; 62/457.3

CPC A47G 19/22; A47G 21/18; A47G 19/00; A47G 19/12; A47G 19/127; A62C 13/003; A47J 43/044; F25D 2303/0831; B01D 29/05; B01D 29/085; B01D 2201/4084; C02F 1/003

See application file for complete search history.

(56) **References Cited**

U.S. PATENT DOCUMENTS

D340,382 S * 10/1993 Bannigan D7/400
5,503,740 A * 4/1996 Callaghan B01D 29/05
210/232
5,609,194 A * 3/1997 Link A47G 19/12
141/331
D386,944 S * 12/1997 Demore D23/209
5,800,707 A * 9/1998 Mehnert C02F 1/003
210/232
D415,922 S * 11/1999 Kawasaki D7/317
D437,027 S * 1/2001 Flagler D23/209

D459,941 S * 7/2002 Miller D23/207
D520,597 S * 5/2006 Witte D23/209
D558,516 S * 1/2008 Bulala et al.
D584,913 S * 1/2009 Green D7/317
D585,231 S * 1/2009 Bulala D7/317
D586,605 S * 2/2009 Ma D7/317
D600,498 S * 9/2009 Ma D7/397
D604,088 S * 11/2009 Bursztein D7/317
D618,032 S * 6/2010 Kulikov et al.
D626,777 S * 11/2010 Bell D7/317
D626,779 S * 11/2010 Bell D7/317
D640,769 S * 6/2011 Sheppard et al.
D640,770 S * 6/2011 Sheppard et al.
D675,861 S * 2/2013 Gray D7/317
D680,789 S * 4/2013 Bell D7/317
D680,790 S * 4/2013 Bell D7/317
D680,791 S * 4/2013 Bell D7/317
D688,095 S * 8/2013 DeMiglio D7/400
D707,490 S * 6/2014 Hertaus D7/397
9,090,483 B2 * 7/2015 Rajan C02F 1/003
D753,954 S * 4/2016 Schreiber D7/400

* cited by examiner

Primary Examiner — Marianne Pandozzi

(74) *Attorney, Agent, or Firm* — Thomas C. Feix; Stacy H. Combs

(57) **CLAIM**

The ornamental design for a portion of a water pitcher lid, as shown and described.

DESCRIPTION

FIG. 1 is an exploded perspective view of a portion of a water pitcher lid and showing our new design;
FIG. 2 is a front perspective view thereof;
FIG. 3 is a top plan view of FIG. 2;
FIG. 4 is bottom plan view of FIG. 2;
FIG. 5 is a left side elevational view of FIG. 2;
FIG. 6 is a right side elevational view of FIG. 2;
FIG. 7 is back view of FIG. 2; and,
FIG. 8 is a front view of FIG. 2.

The broken lines in the drawing depict environmental subject matter only and form no part of the claimed design.

1 Claim, 3 Drawing Sheets

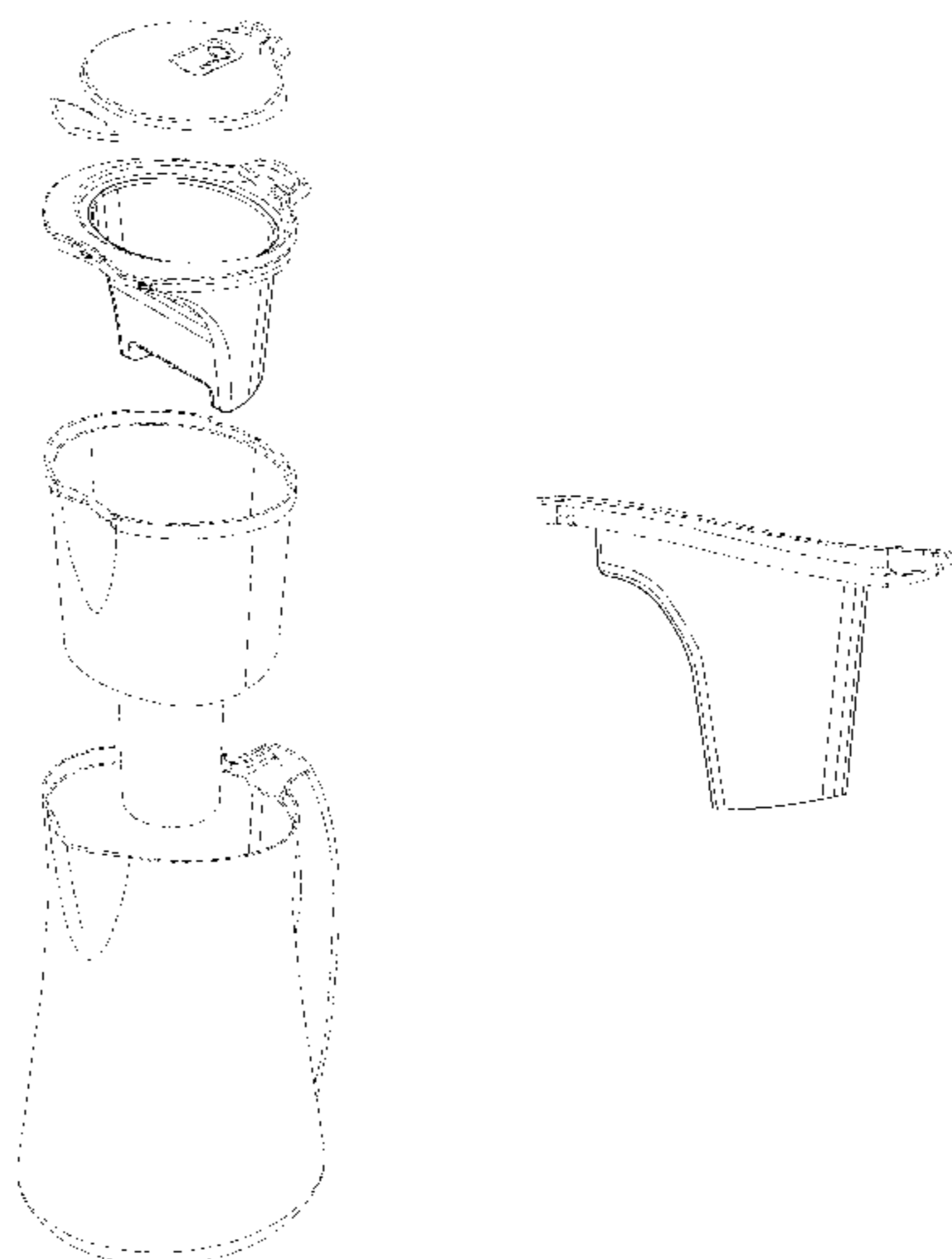
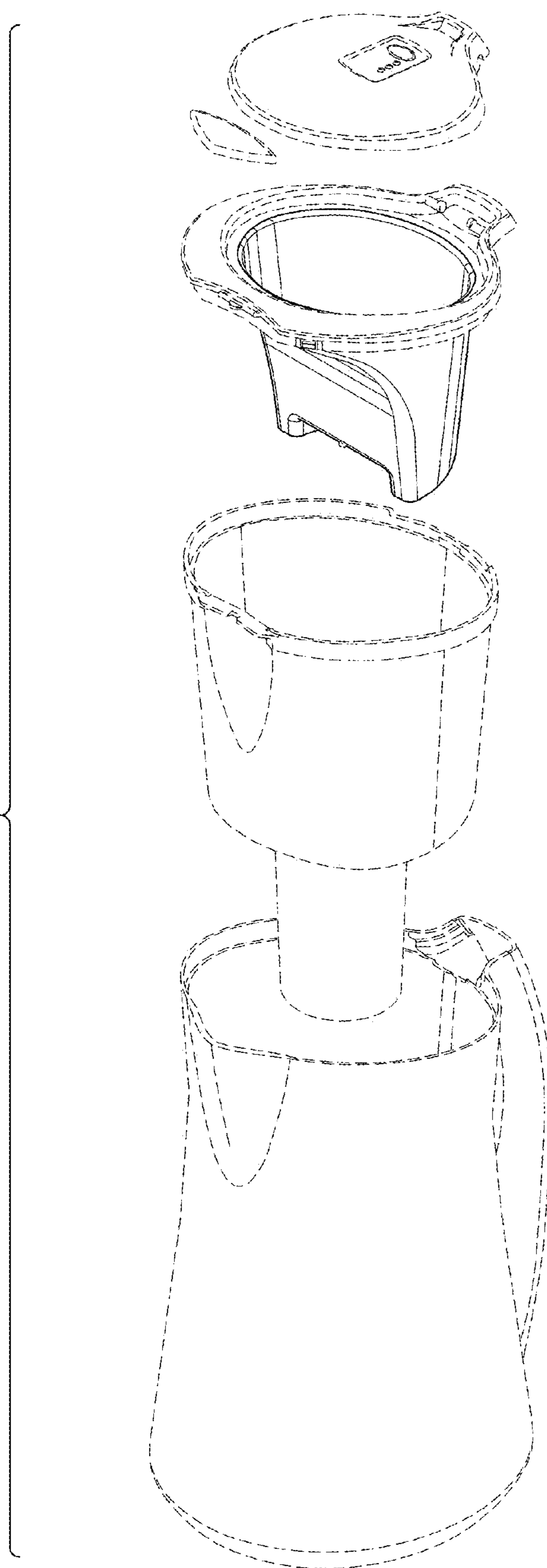


FIG. 1



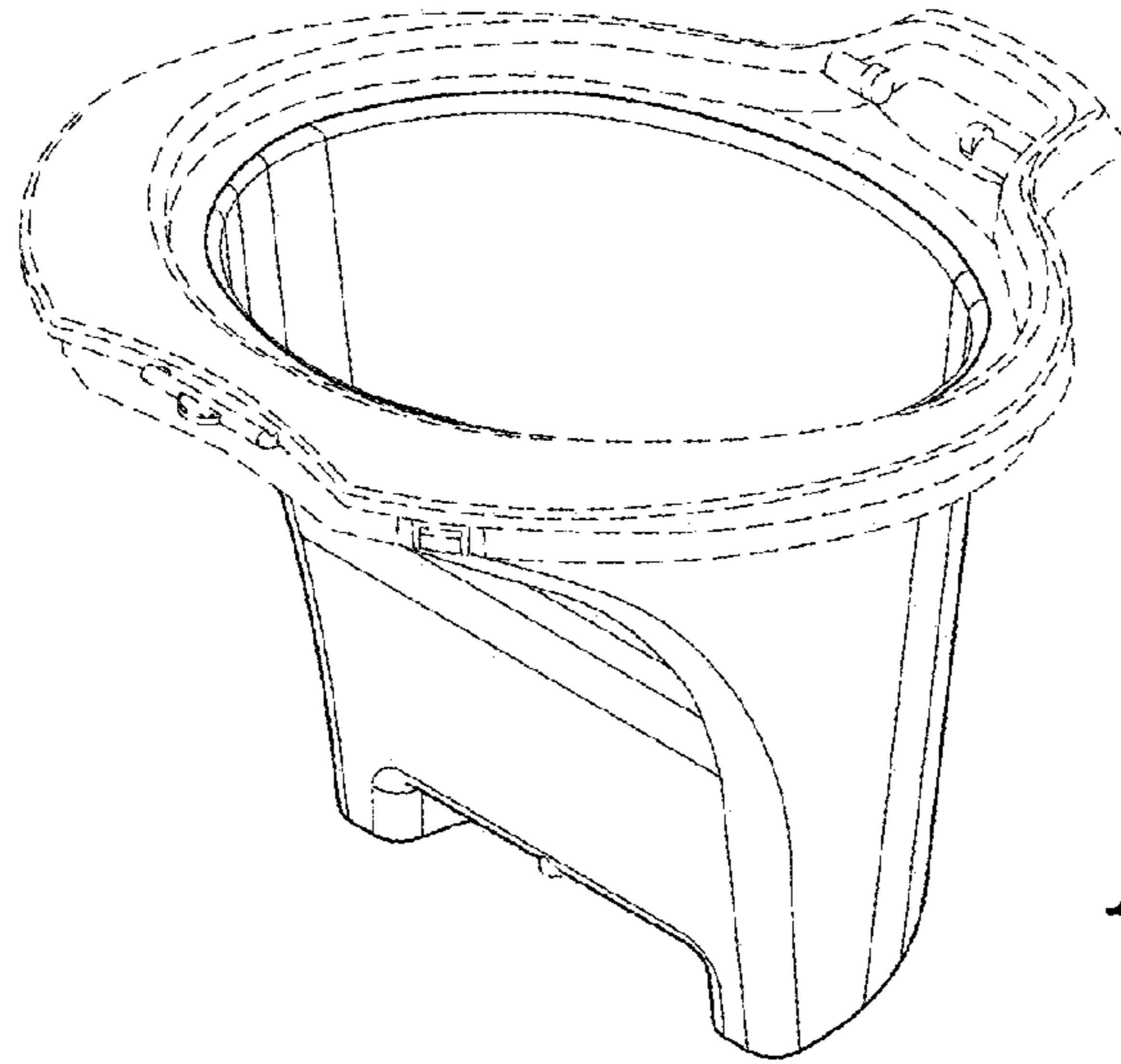


FIG. 2

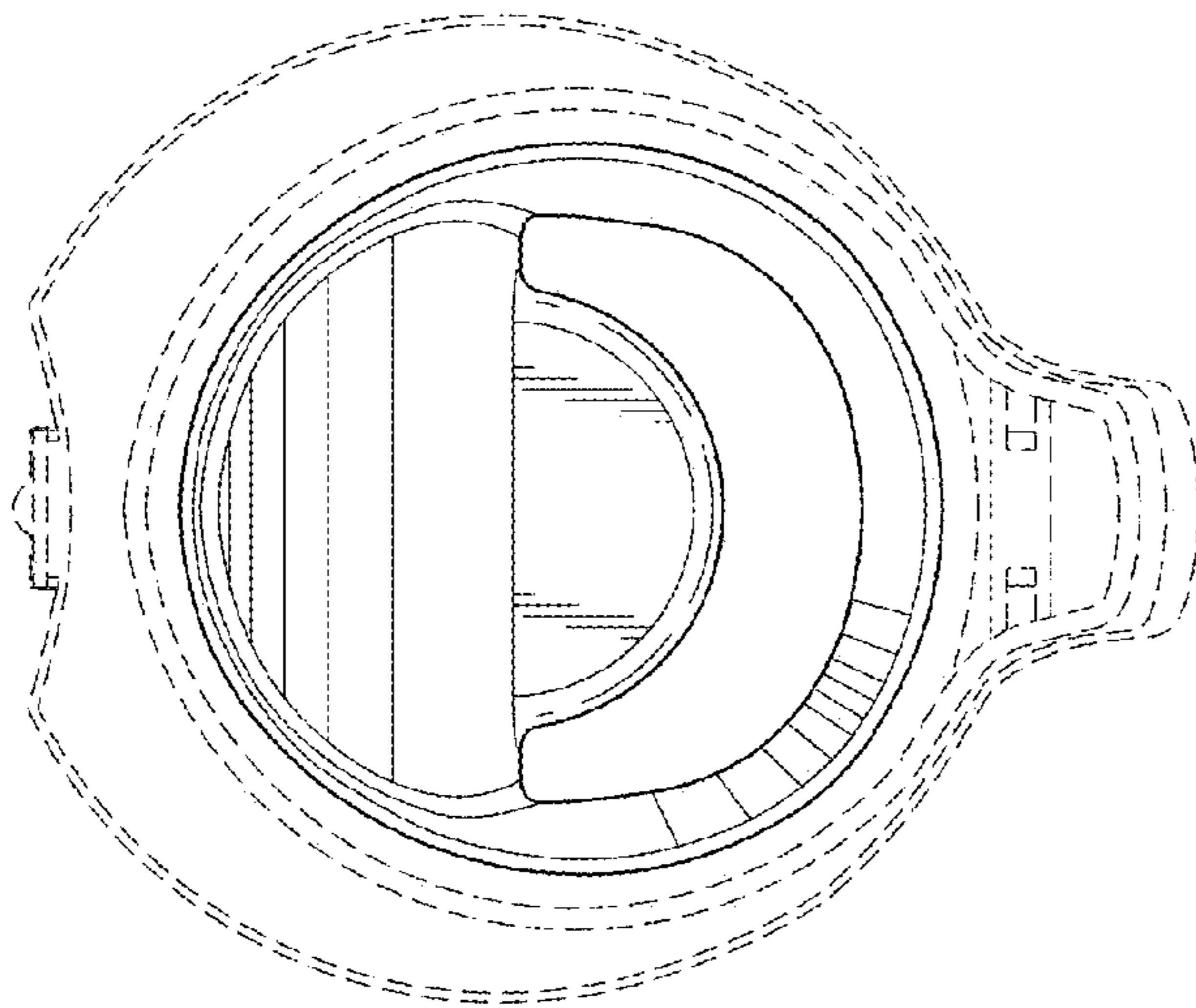


FIG. 3

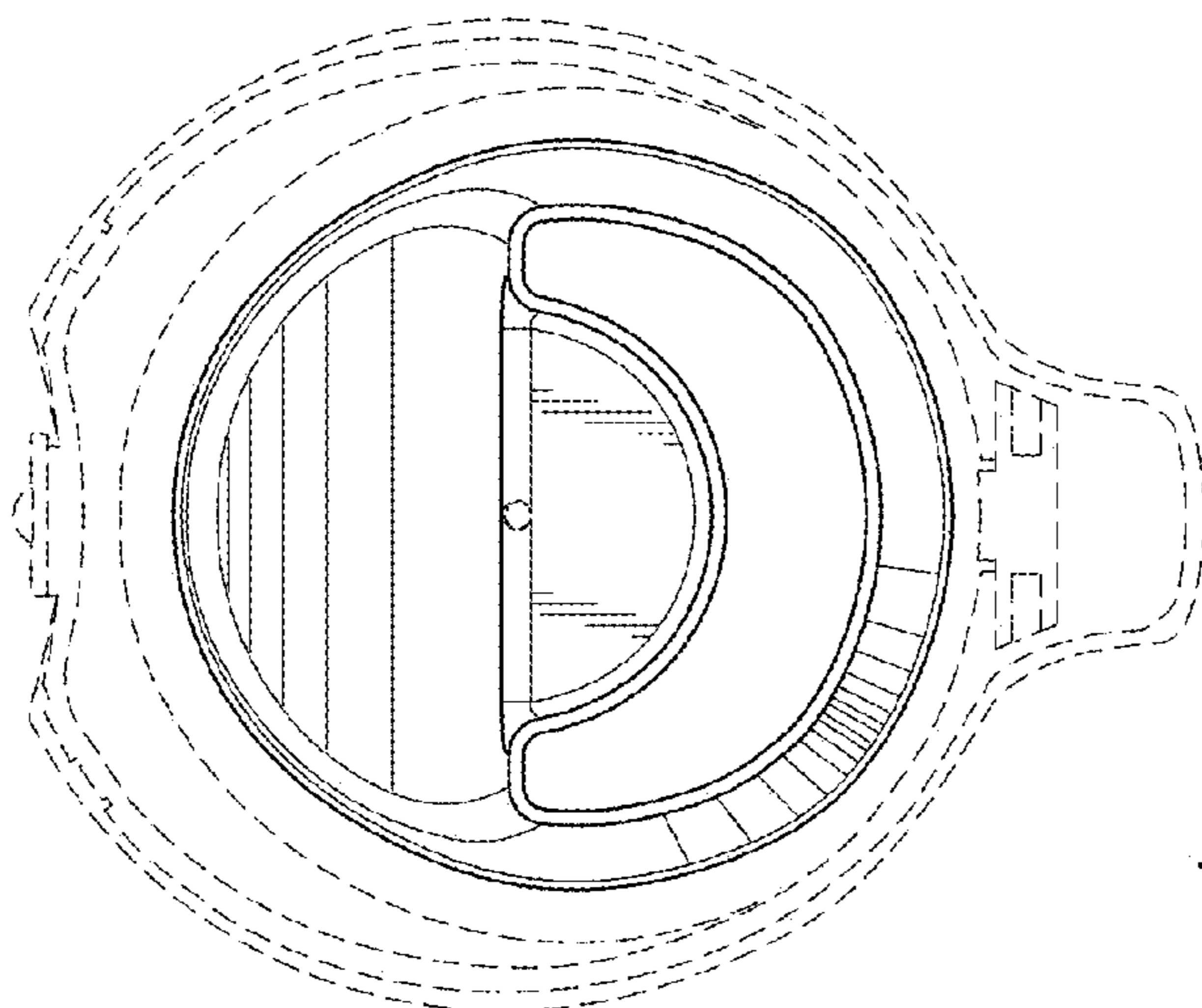


FIG. 4

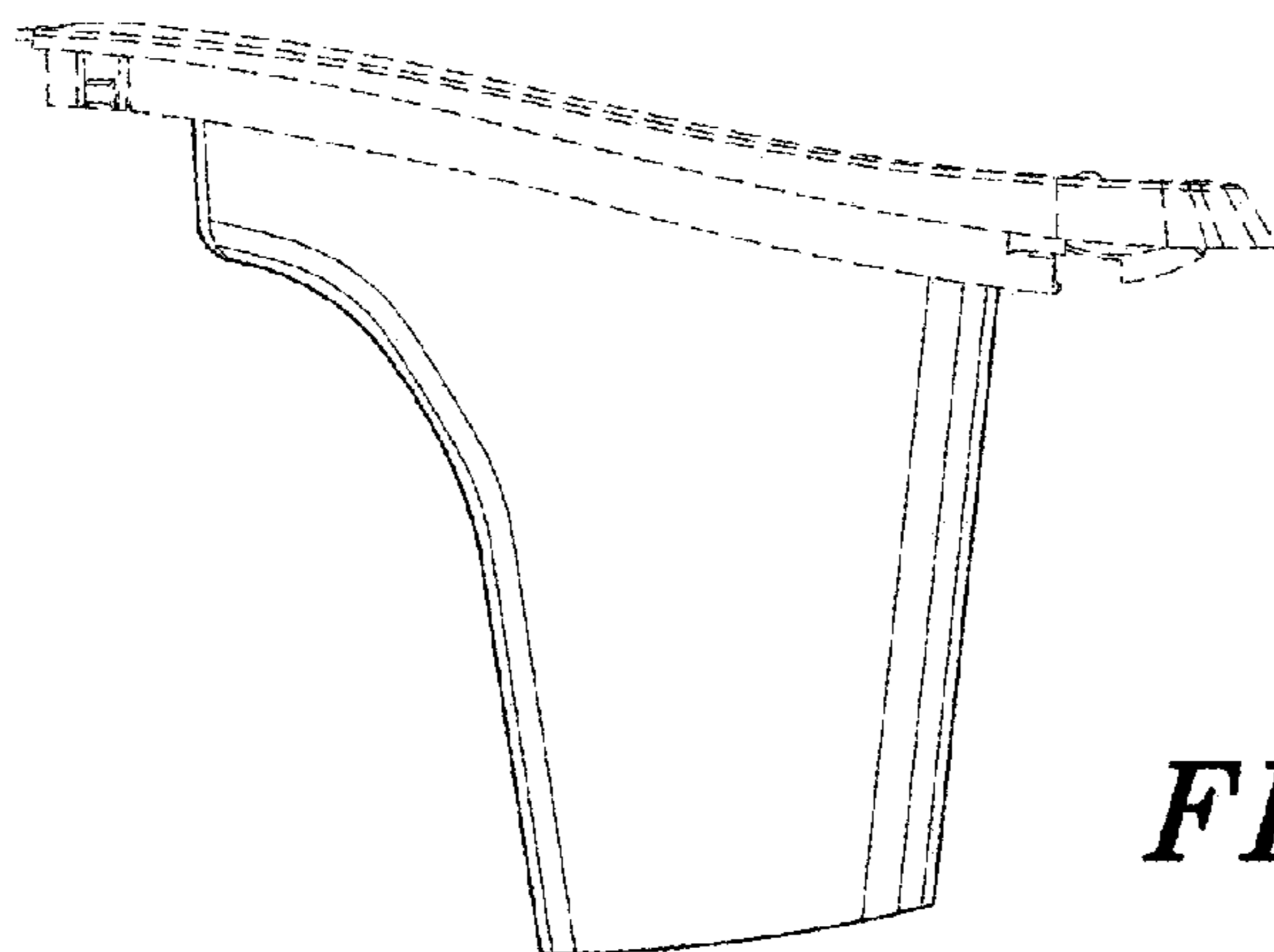


FIG. 5

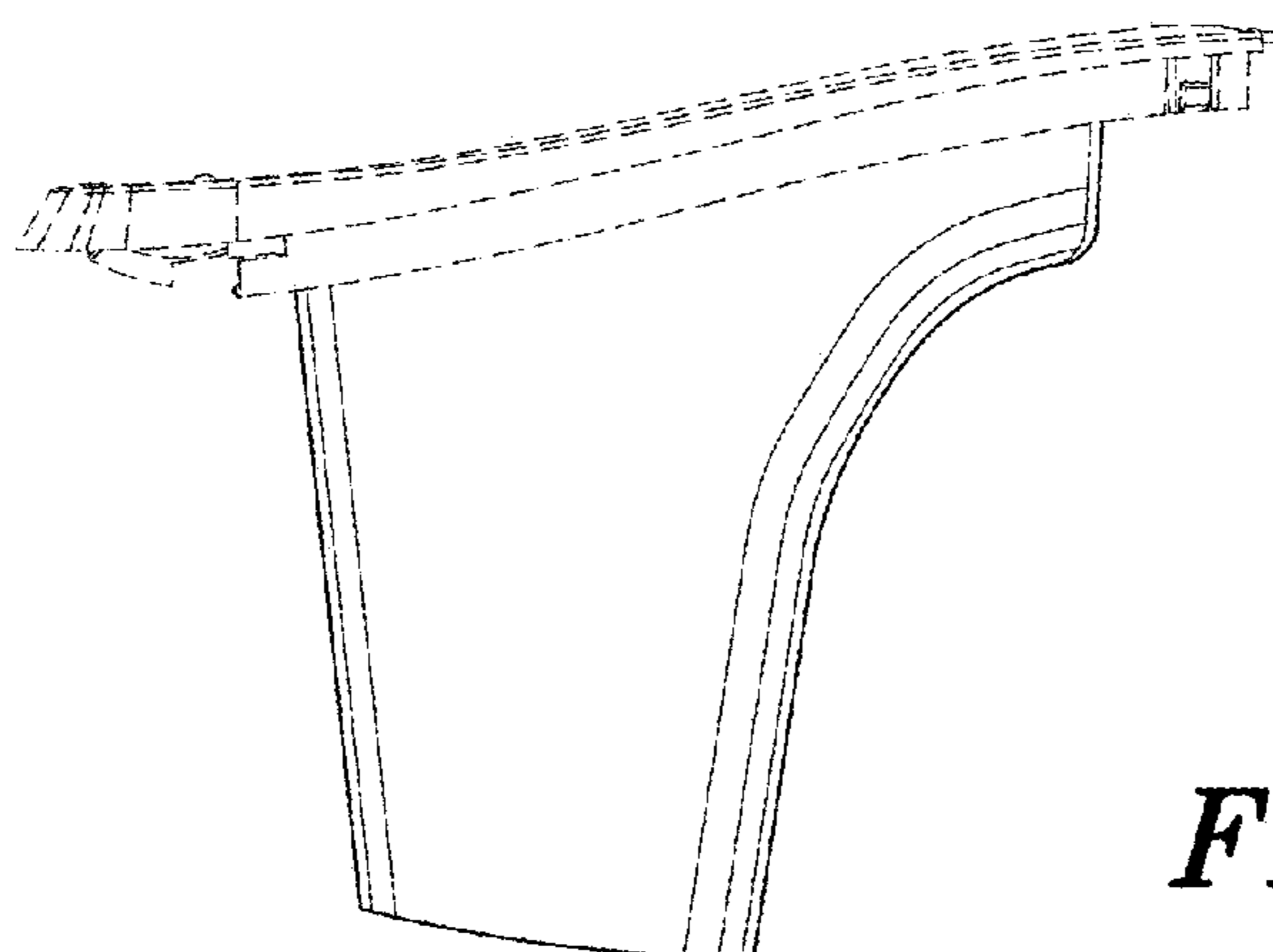


FIG. 6

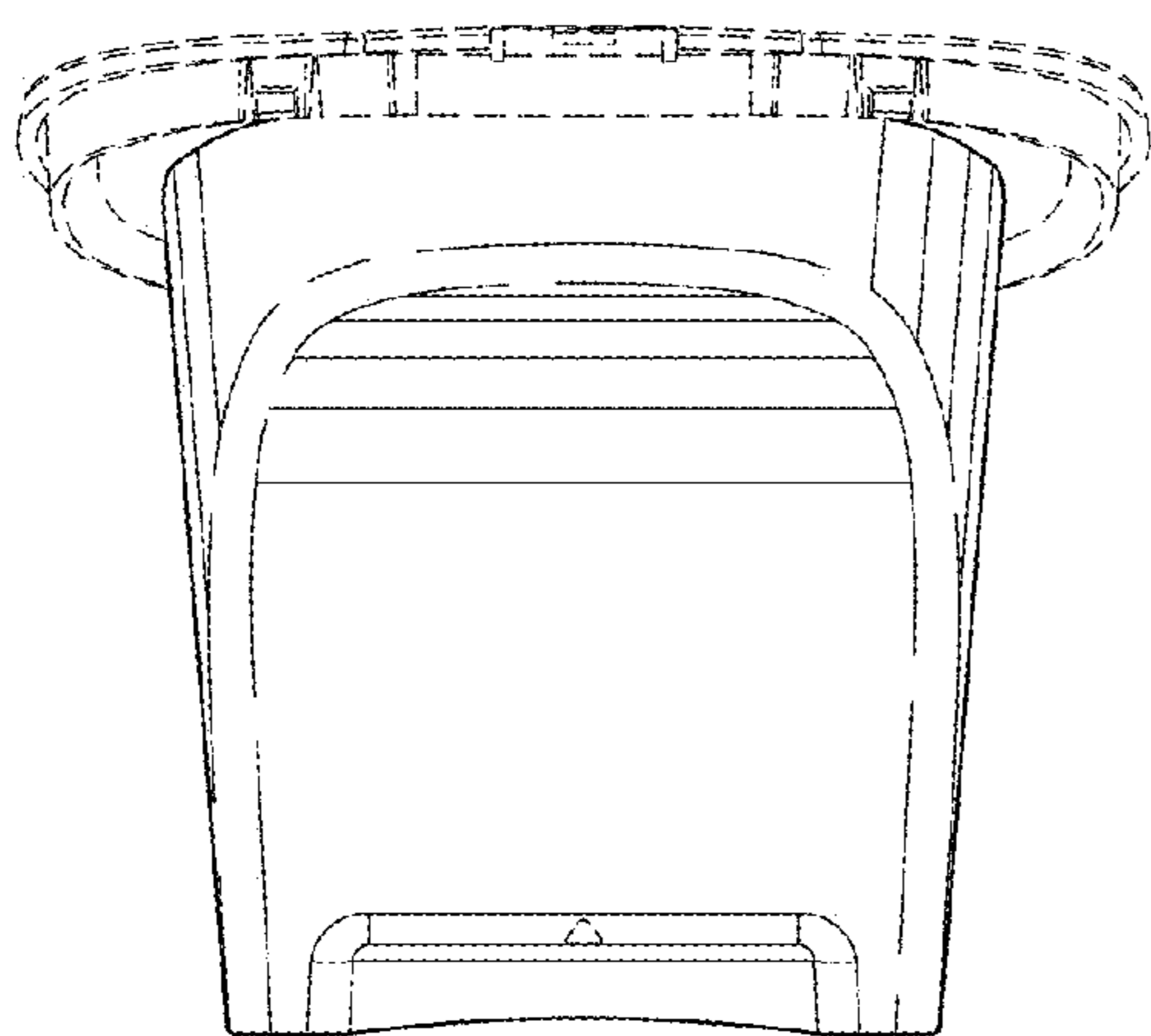


FIG. 7

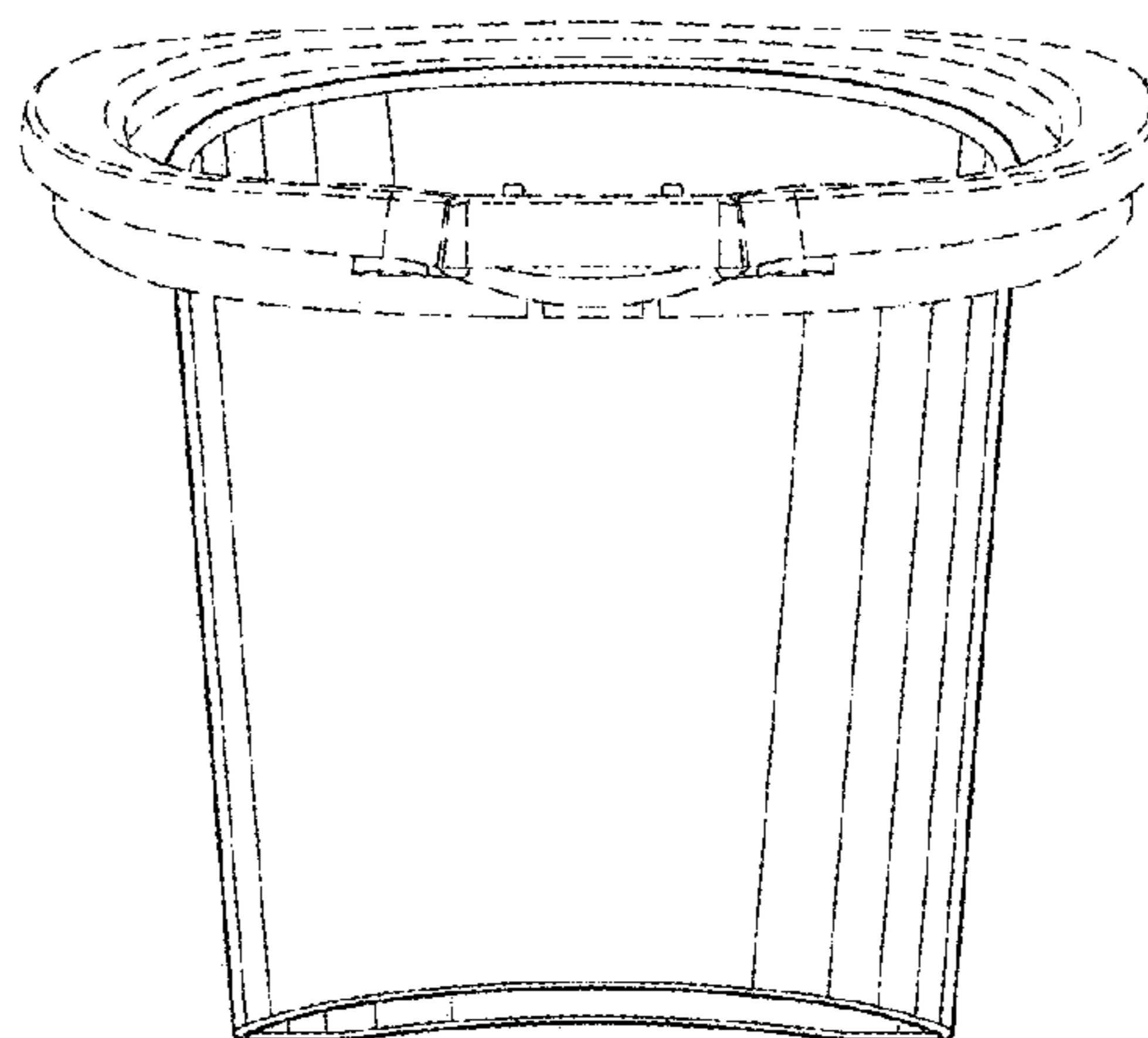


FIG. 8