



US00D765465S

(12) **United States Design Patent** (10) **Patent No.:** **US D765,465 S**
Du (45) **Date of Patent:** **** Sep. 6, 2016**

(54) **BLENDER BASE**

(56) **References Cited**

(71) Applicant: **Tsann Kuen (Zhangzhou) Enterprise Co., Ltd., Zhangzhou (CN)**

U.S. PATENT DOCUMENTS

(72) Inventor: **Ying Du, Zhangzhou (CN)**

D204,117 S *	3/1966	Di Sesa	D7/378
3,548,280 A *	12/1970	Cockroft	H02P 7/295 241/282.1
D242,208 S *	11/1976	Madl et al.	D7/378
D552,419 S *	10/2007	Picozza	D7/412
D605,462 S *	12/2009	Picozza	D7/378
D617,145 S *	6/2010	Picozza	D7/378
D642,857 S *	8/2011	Bodum	D7/376
D668,100 S *	10/2012	Palermo	D7/376
D677,976 S *	3/2013	Palermo	D7/376
D690,152 S *	9/2013	Palermo	D7/376
D702,078 S *	4/2014	Coakley	D7/376
D733,488 S *	7/2015	Tu	D7/376
D755,003 S *	5/2016	Palermo	D7/376

(73) Assignee: **Tsann Kuen (Zhangzhou) Enterprise Co., Ltd., Zhangzhou (CN)**

(**) Term: **15 Years**

(21) Appl. No.: **29/539,331**

(22) Filed: **Sep. 14, 2015**

(30) **Foreign Application Priority Data**

Apr. 14, 2015 (CN) 2015 3 0096666

(51) **LOC (10) Cl.** **31-00**

(52) **U.S. Cl.**
USPC **D7/386; D7/376; D7/378; D7/412**

(58) **Field of Classification Search**
USPC D7/372, 376-386, 412-413, 602, 629,
D7/665-666, 669, 679, 693-694
CPC A21C 1/02; A21C 1/04; A23N 1/00;
A23N 1/02; A47J 43/04; A47J 43/25; A47J
43/27; A47J 43/042; A47J 43/044; A47J
43/046; A47J 43/075; A47J 43/0722; A47J
43/0727; B01F 3/00; B01F 3/0807; B01F
3/0853; B01F 13/0059; B01F 13/0064;
B02C 1/08; B02C 2/04; B02C 4/42; B02C
4/142; B02C 4/143; B02C 4/423; B02C
13/1835; B28C 5/10; B28C 5/12; B28C
5/14; B28C 5/16; H02P 7/295

See application file for complete search history.

* cited by examiner

Primary Examiner — Ricky Pham

(74) *Attorney, Agent, or Firm* — Gokalp Bayramoglu

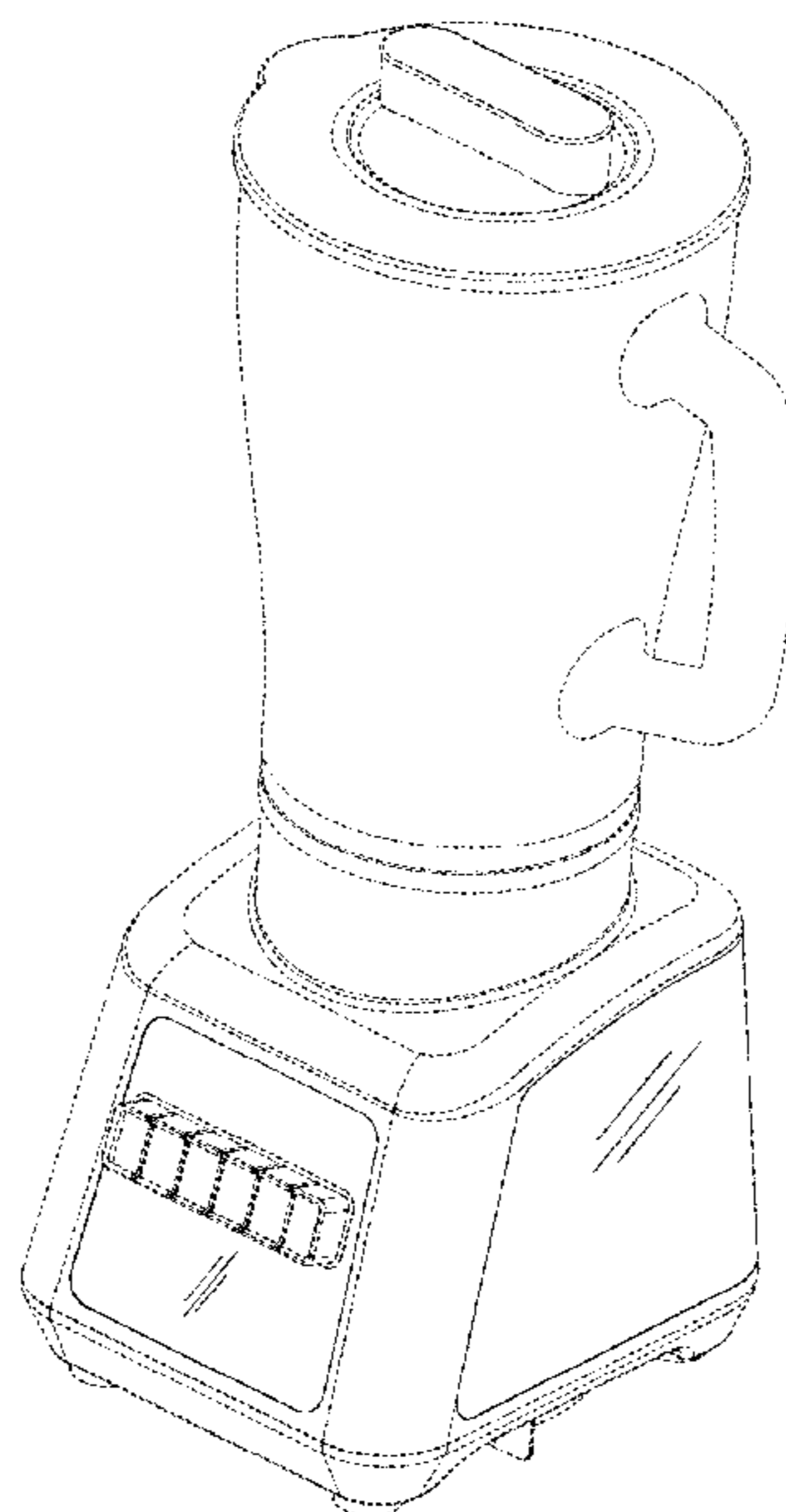
(57) **CLAIM**

The ornamental design for a blender base, as shown and described.

DESCRIPTION

FIG. 1 is a main view of the blender base;
FIG. 2 is a front view of the blender base;
FIG. 3 is a rear view of the blender base;
FIG. 4 is a left side view of the blender base;
FIG. 5 is a right side view of the blender base;
FIG. 6 is a top view of the blender base; and,
FIG. 7 is a bottom view of the blender base.
The broken lines shown in the drawings are for illustrative purposes only and form no part of the claimed design.

1 Claim, 7 Drawing Sheets



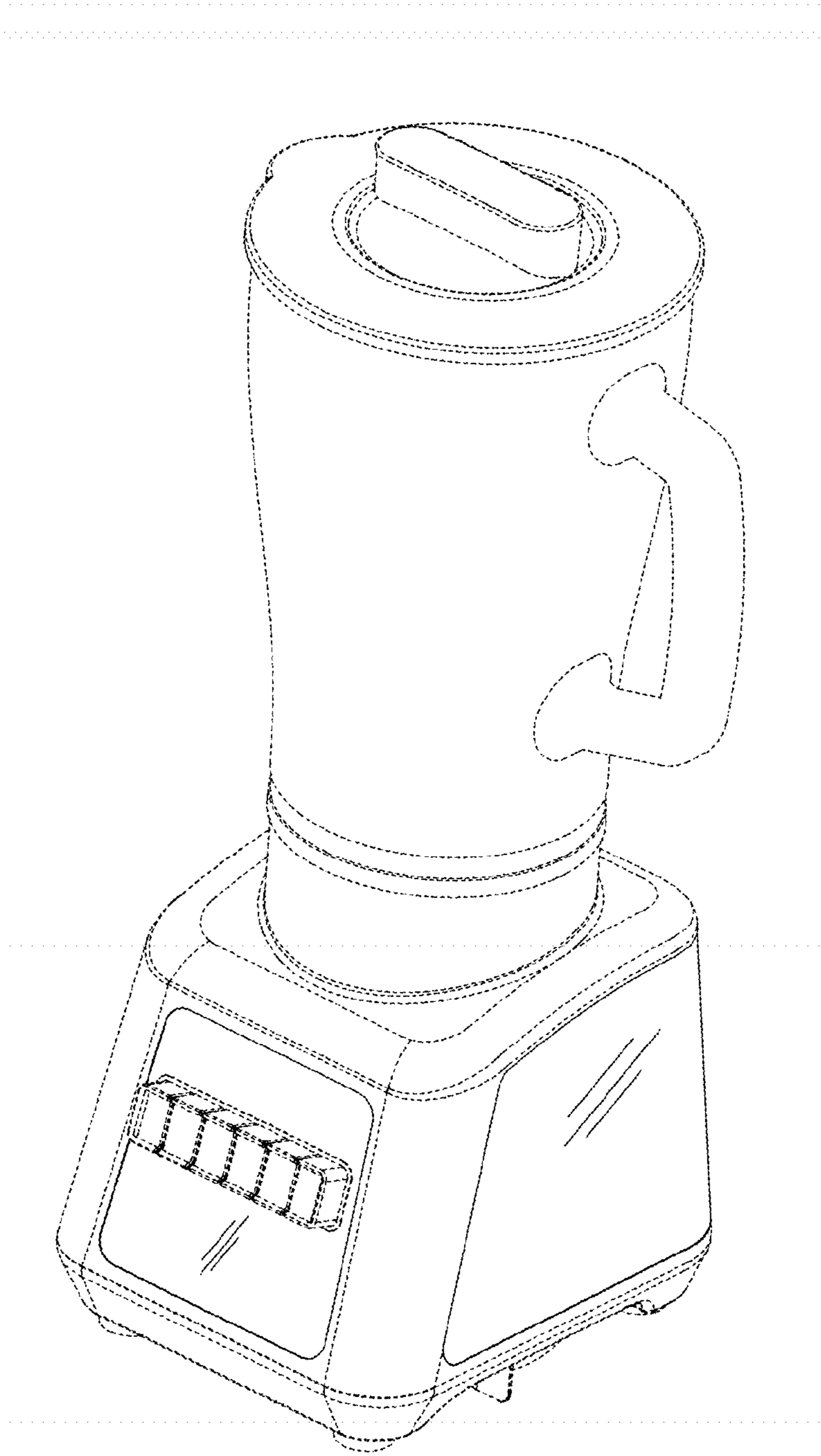


FIG. 1

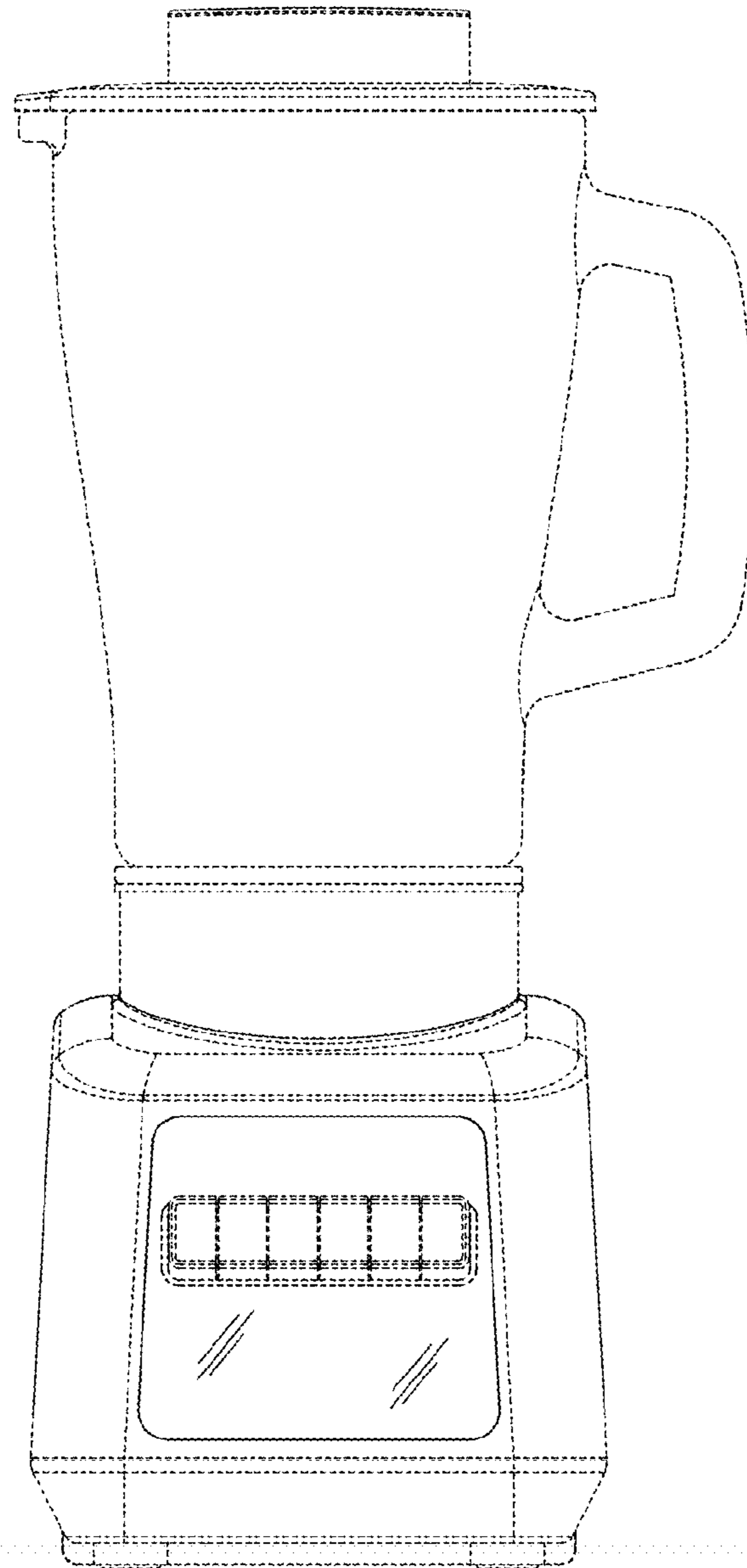


FIG. 2

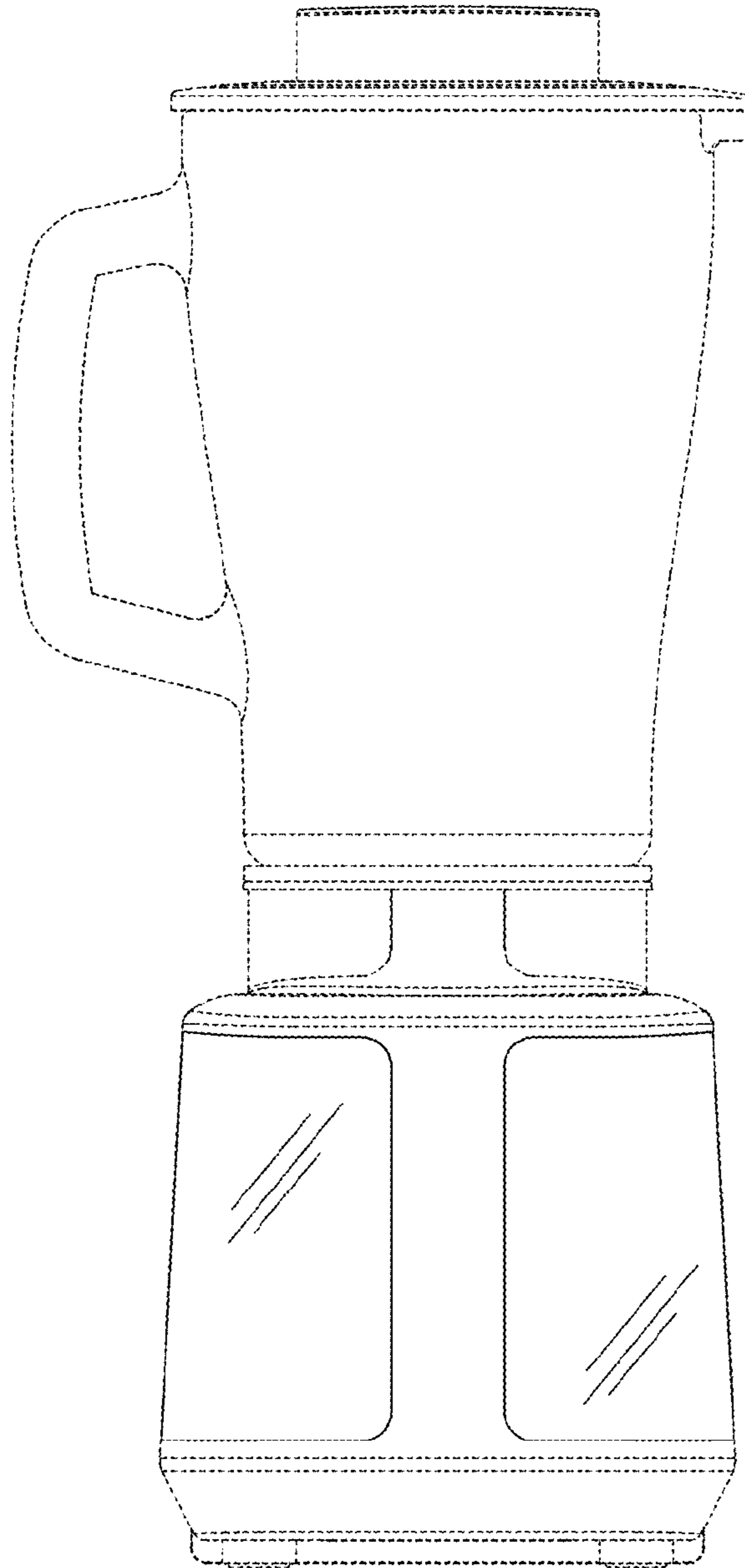


FIG. 3

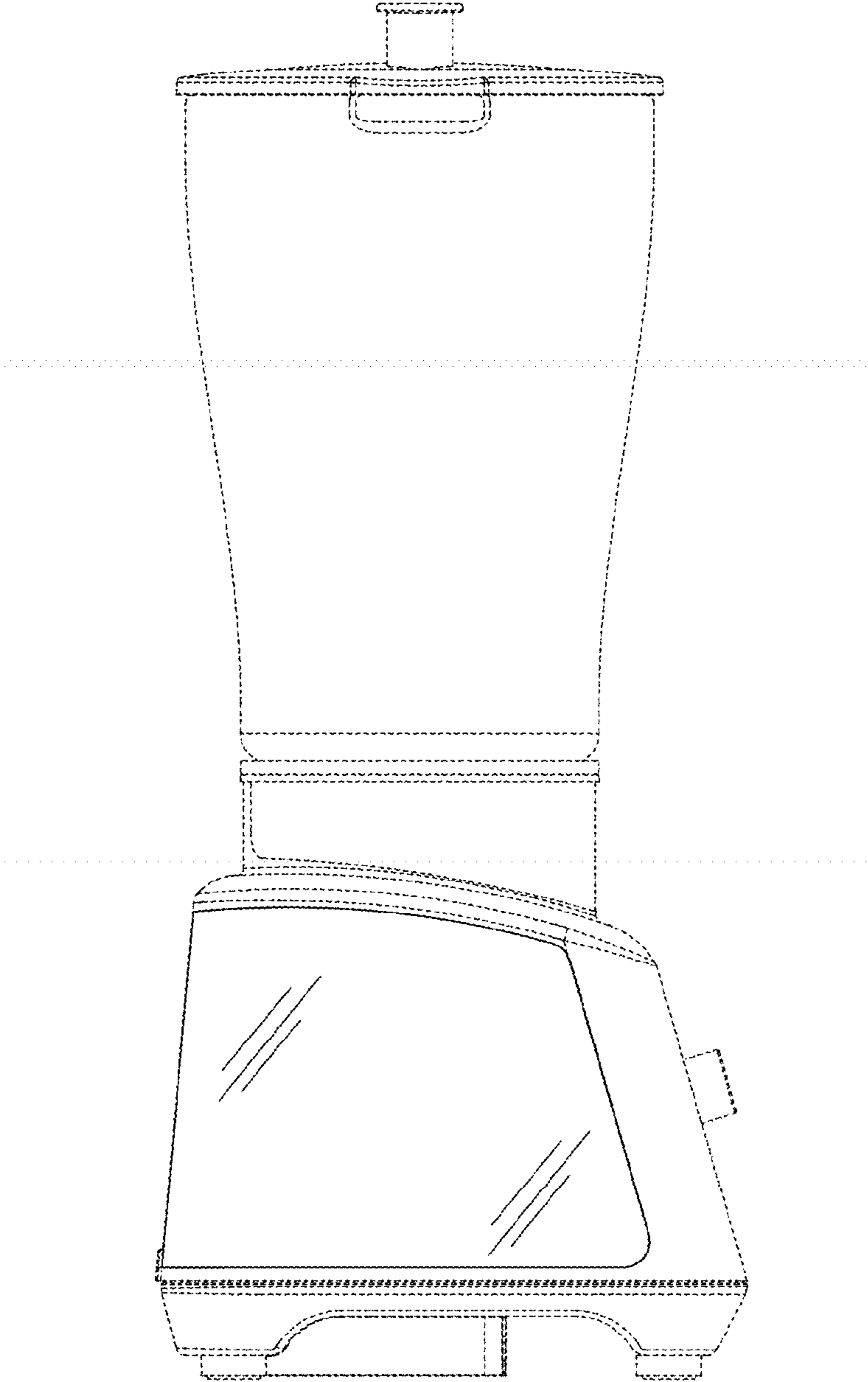


FIG. 4

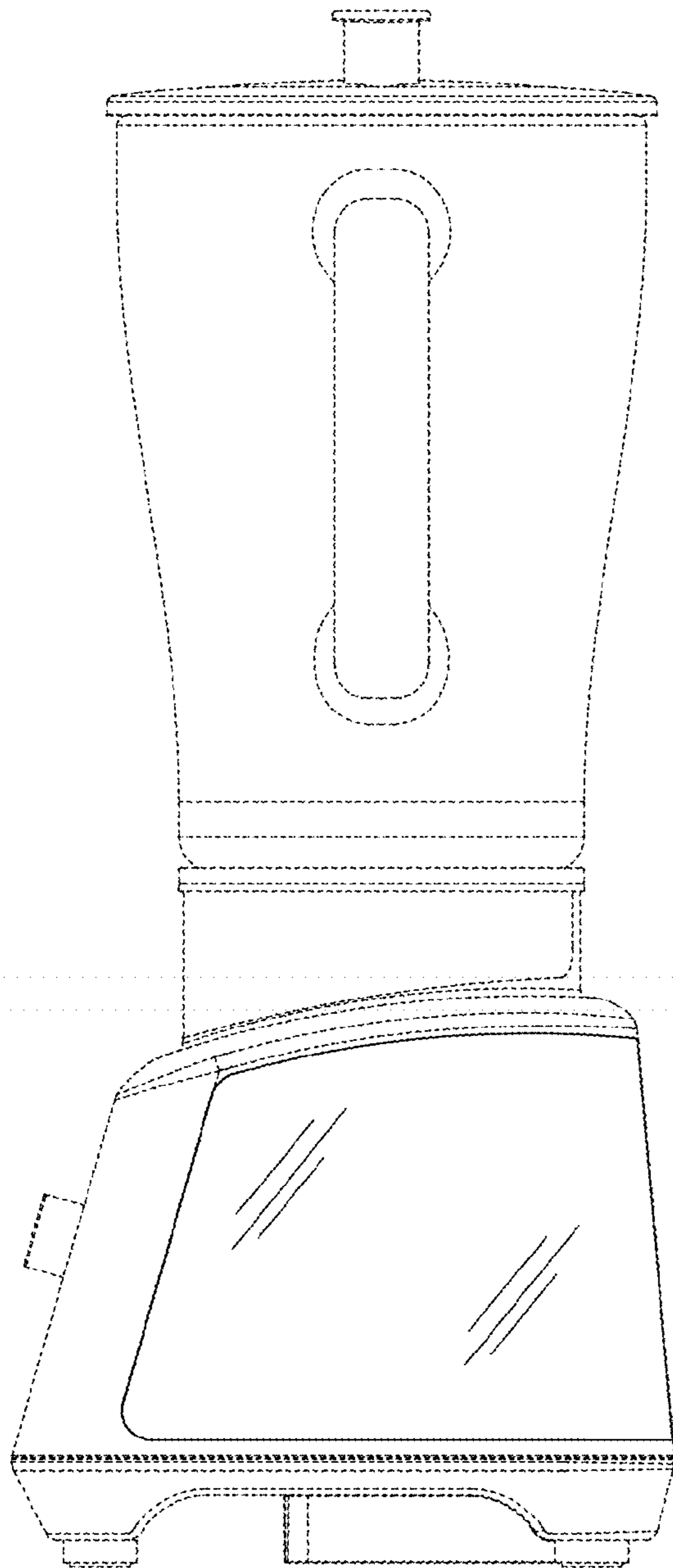


FIG. 5

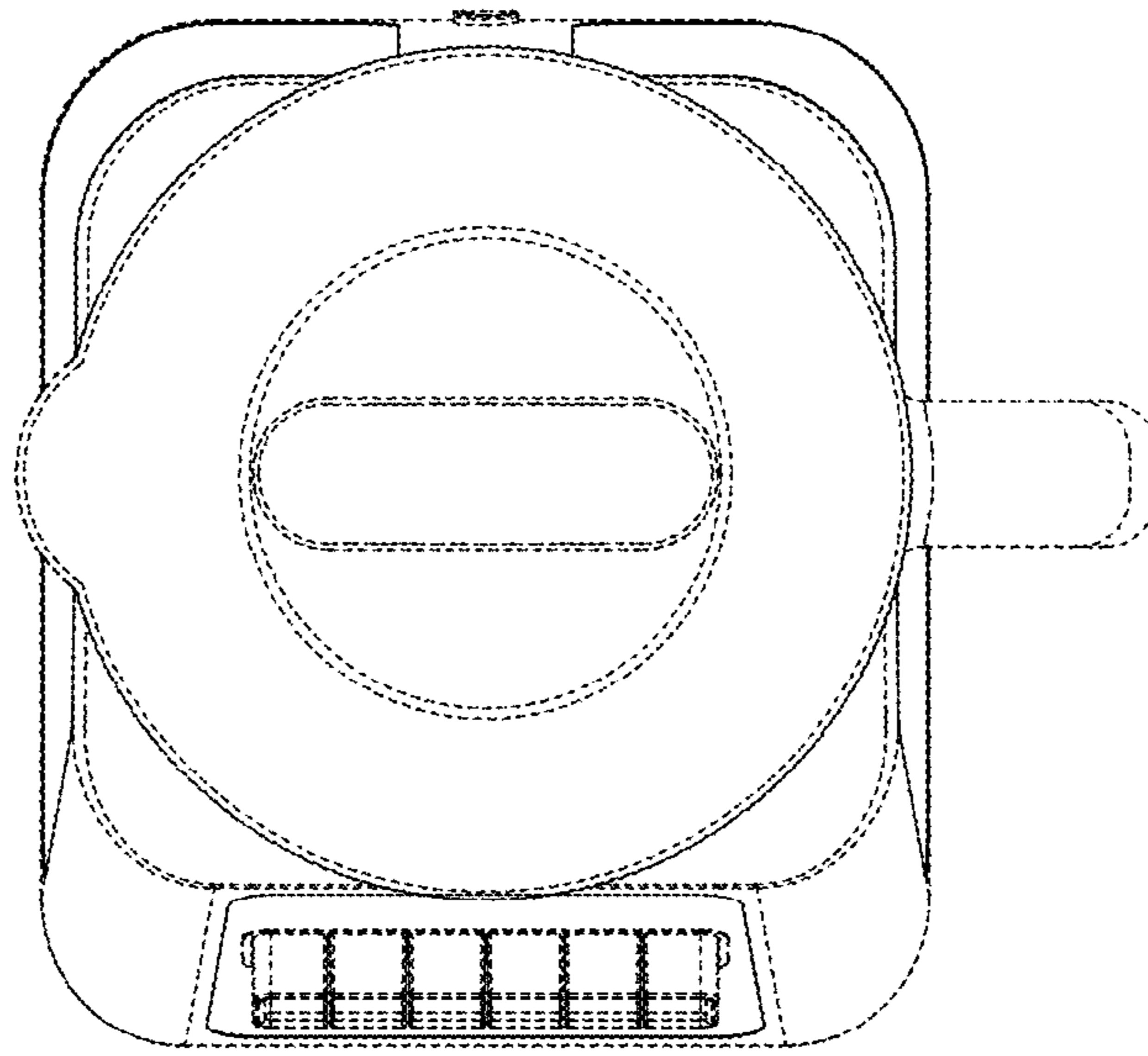


FIG. 6

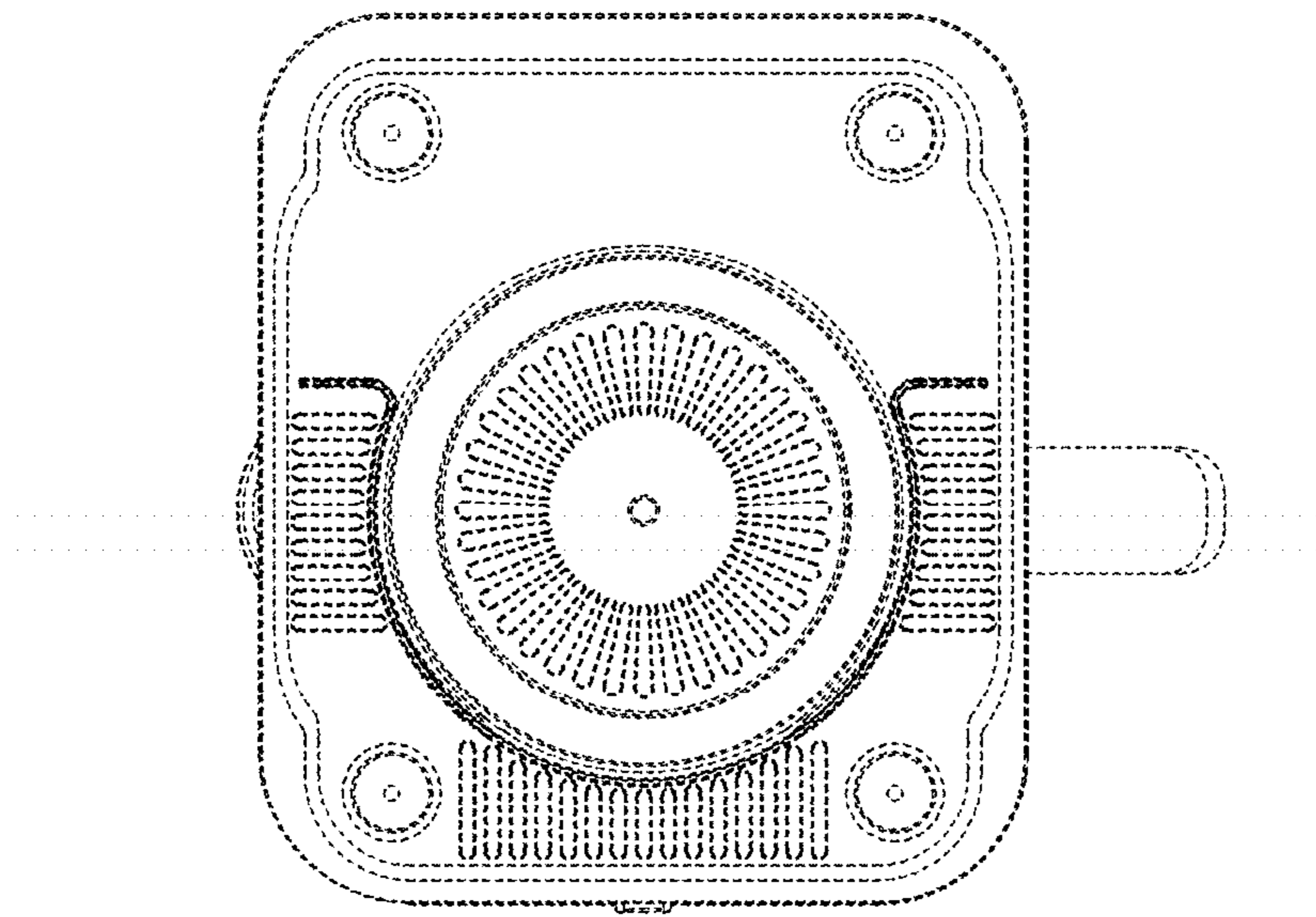


FIG. 7