



US00D765462S

(12) **United States Design Patent** (10) **Patent No.:** **US D765,462 S**
Davies (45) **Date of Patent:** **** Sep. 6, 2016**

(54) **BLENDER BASE**
(71) Applicant: **Kenwood Limited**, Havant, Hampshire (GB)
(72) Inventor: **Sam Davies**, Havant (GB)
(73) Assignee: **KENWOOD LIMITED**, Havant, Hampshire (GB)
(**) Term: **14 Years**
(21) Appl. No.: **29/519,224**
(22) Filed: **Mar. 3, 2015**
(30) **Foreign Application Priority Data**

Feb. 19, 2015 (EM) 001430706

(51) **LOC (10) Cl.** **31-00**
(52) **U.S. Cl.**
USPC **D7/386; D7/376; D7/378; D7/384; D7/412**

(58) **Field of Classification Search**
USPC D7/372, 376-386, 412-413, 602, 629, D7/665-666, 669, 679, 693-694; D24/220
CPC A21C 1/02; A21C 1/04; A23N 1/00; A23N 1/02; A47J 43/04; A47J 43/25; A47J 43/27; A47J 43/042; A47J 43/044; A47J 43/046; A47J 43/075; A47J 43/0722; A47J 43/0727; B01F 3/00; B01F 3/0807; B01F 3/0853; B01F 13/0059; B01F 13/0064; B02C 1/08; B02C 2/04; B02C 4/42; B02C 4/142; B02C 4/143; B02C 4/423; B02C 13/1835; B28C 5/10; B28C 5/12; B28C 5/14; B28C 5/16

See application file for complete search history.

(56) **References Cited**

U.S. PATENT DOCUMENTS

D450,978 S * 11/2001 Smith D7/378
D489,570 S * 5/2004 Feil D7/386
D493,329 S * 7/2004 Feil D7/378
D498,643 S * 11/2004 Pryor, Jr. D7/386
D499,602 S * 12/2004 Feil D7/378
D512,265 S * 12/2005 McCurrach D7/378

D533,020 S * 12/2006 Kassenaar D7/378

(Continued)

OTHER PUBLICATIONS

Korean Office Action dated Jul. 15, 2015 from corresponding Korean Application No. Design 30-2015-0009902 and Serial No. M001(3 pages including English translation).

(Continued)

Primary Examiner — Ricky Pham

(74) *Attorney, Agent, or Firm* — Brinks Gilson & Lione; G. Peter Nichols

(57) **CLAIM**

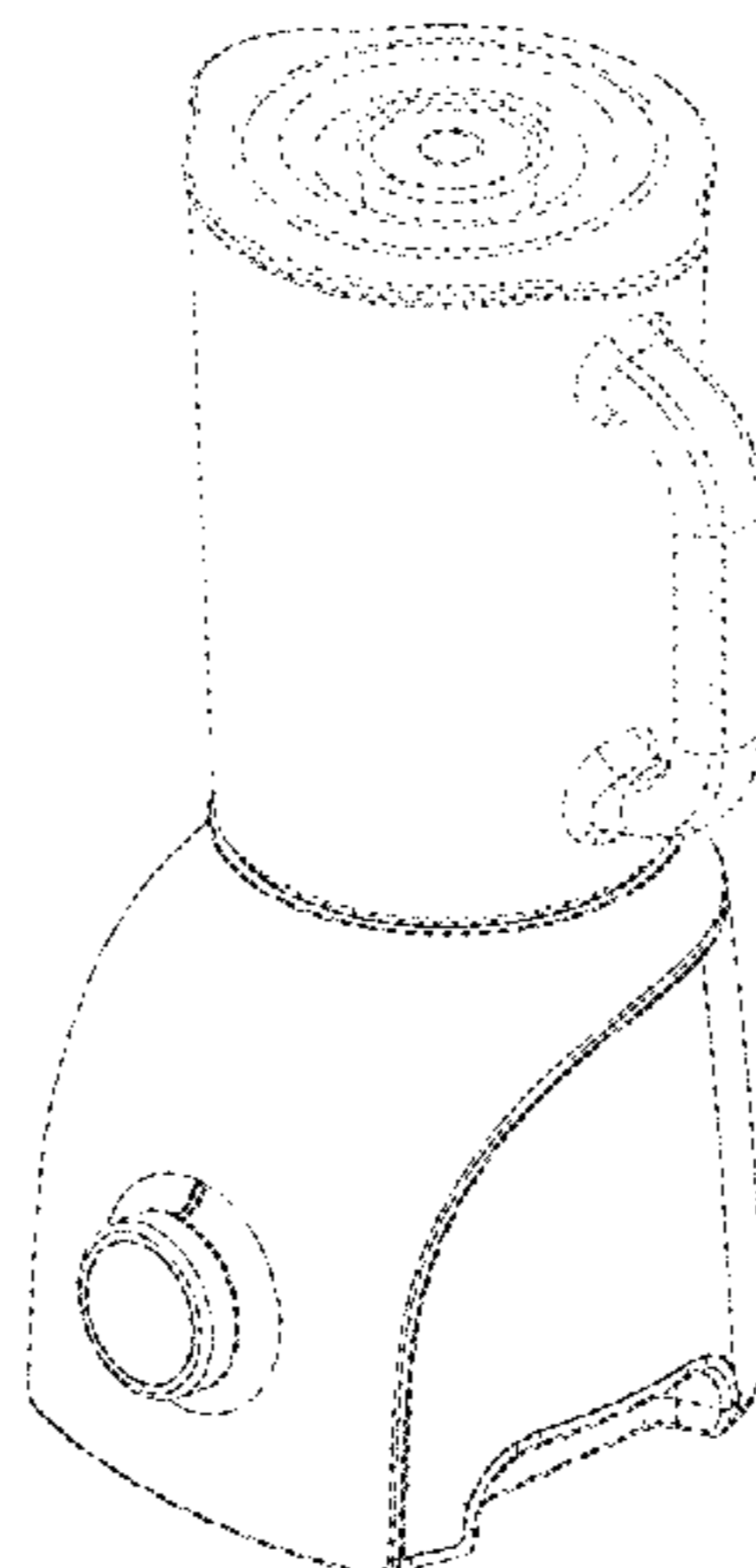
The ornamental design for a blender base, as shown and described.

DESCRIPTION

FIG. 1 is a top perspective view of one embodiment of a blender base according to the present invention;
FIG. 2 is a front view thereof;
FIG. 3 is a rear view thereof;
FIG. 4 is a first side view thereof;
FIG. 5 is a second side view thereof, opposite the first side view;
FIG. 6 is a top view thereof;
FIG. 7 is a bottom view thereof;
FIG. 8 is a top perspective view of another embodiment of a blender base according to the present invention;
FIG. 9 is a front view thereof;
FIG. 10 is a rear view thereof;
FIG. 11 is a first side view thereof;
FIG. 12 is a second side view thereof, opposite the first side view;
FIG. 13 is a top view thereof; and,
FIG. 14 is a bottom view thereof.

The broken lines shown in the drawings represent unclaimed portions and form no part of the claimed design.

1 Claim, 14 Drawing Sheets



(56)

References Cited

U.S. PATENT DOCUMENTS

D543,072 S *	5/2007	Ting	D7/378
D568,096 S *	5/2008	Sun	D7/378
D597,372 S *	8/2009	Nordwall	D7/378
D613,550 S *	4/2010	Picozza	D7/378
D701,615 S *	3/2014	Pluska	D24/220
D745,317 S *	12/2015	Dichraff	D7/376

OTHER PUBLICATIONS

Korean Office Action dated Jul. 15, 2015 from corresponding Korean Application No. Design 30-2015-0009902 and Serial No. M003 (3 pages including English translation).

Korean Office Action dated Jul. 15, 2015 from corresponding Korean Application No. Design 30-2015-0009902 and Serial No. M010 (3 pages including English translation).

Korean Office Action dated Jul. 15, 2015 from corresponding Korean Application No. Design 30-2015-0009902 and Serial No. M011 (3 pages including English translation).

Korean Office Action dated Jul. 15, 2015 from corresponding Korean Application No. Design 30-2015-0009902 and Serial No. M012 (3 pages including English translation).

Présentation du blender Blend-X Pro de Kenwood [online] YouTube [retrieved on Aug. 13, 2014], Retrieved from the Internet <URL: www.youtube.com/watch?v=md0qgGbNNdA&list=PLEFolio04mJ9M9hrTerQAiwwQkQM_RBSM>.

* cited by examiner

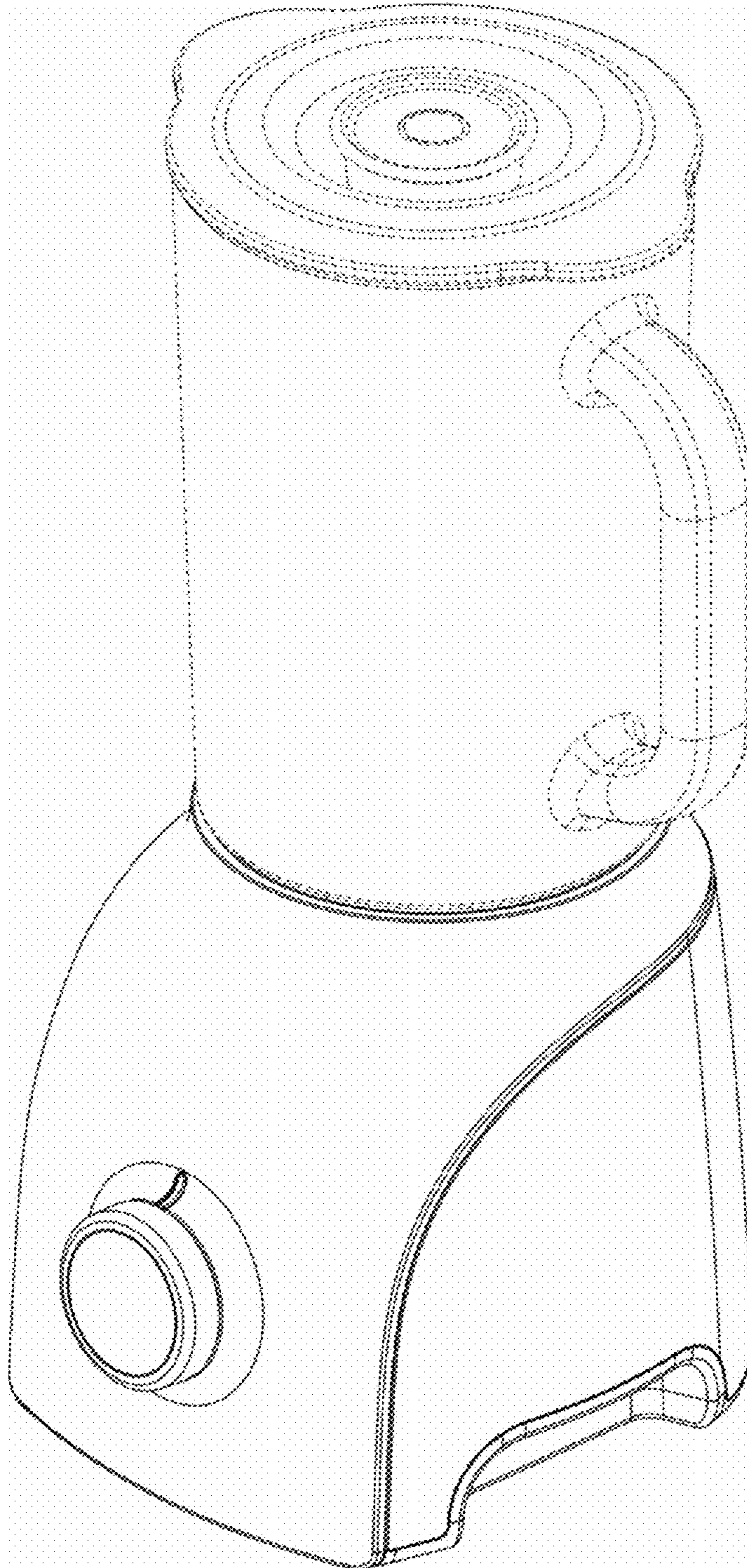


FIG. 1

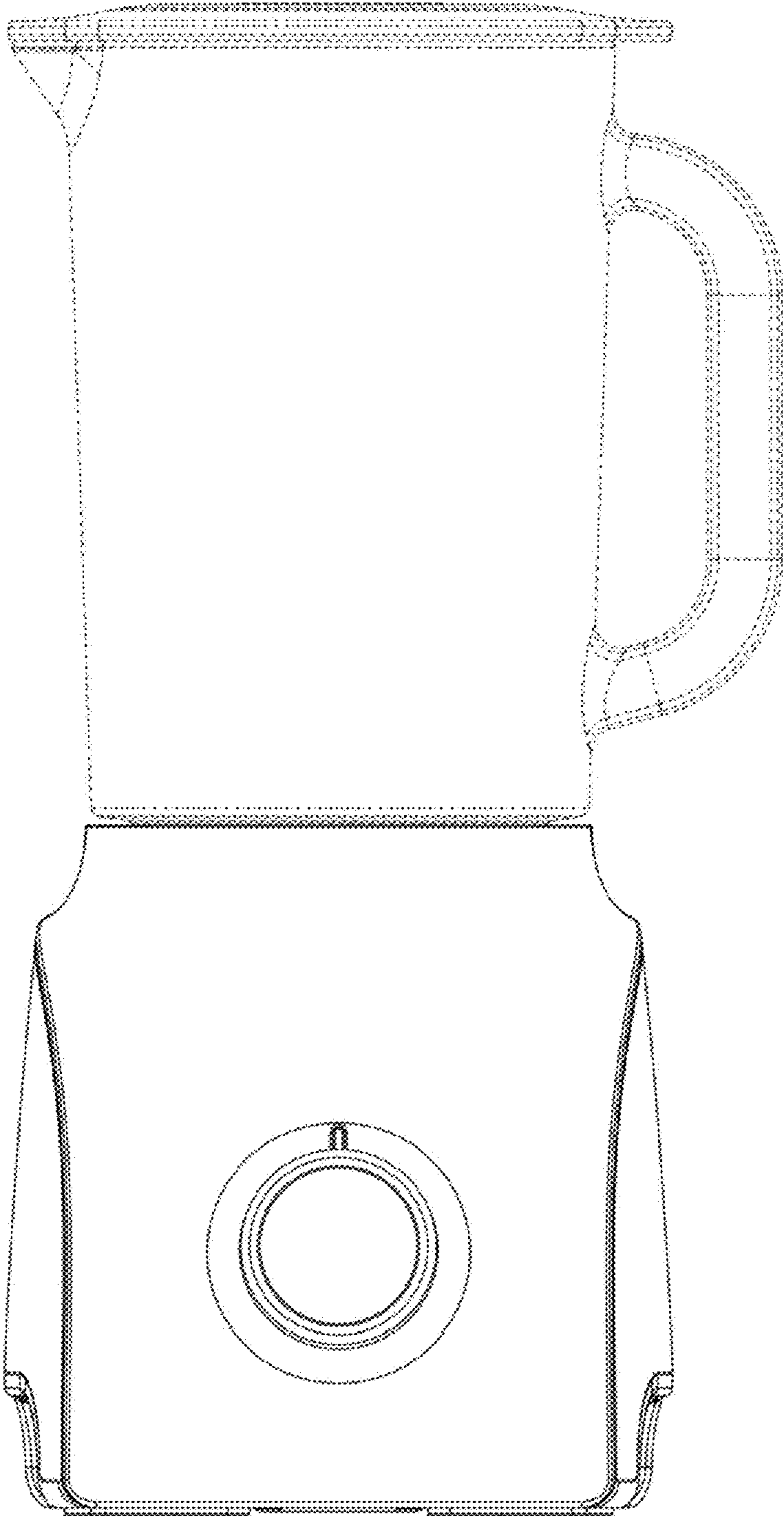


FIG. 2

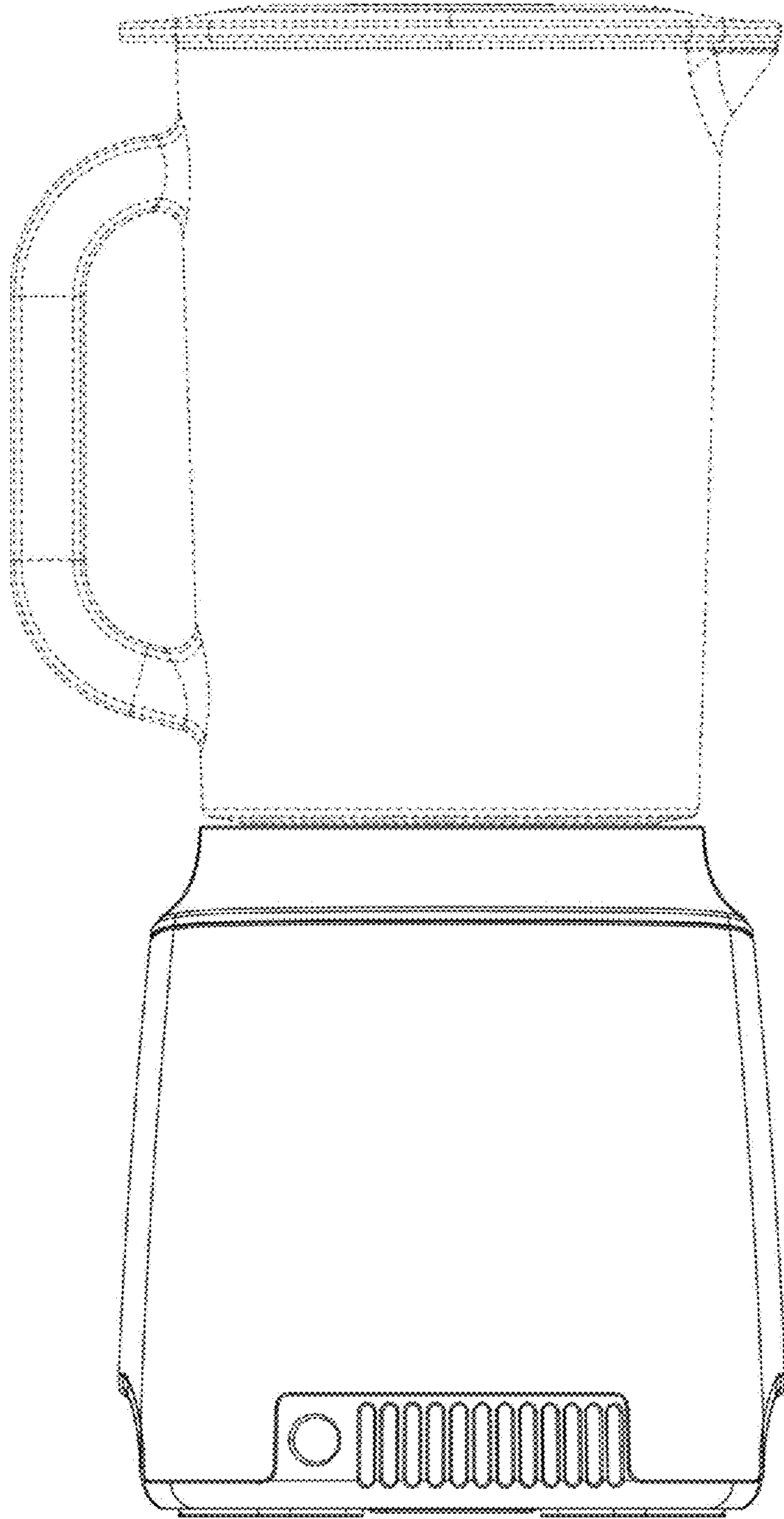


FIG. 3

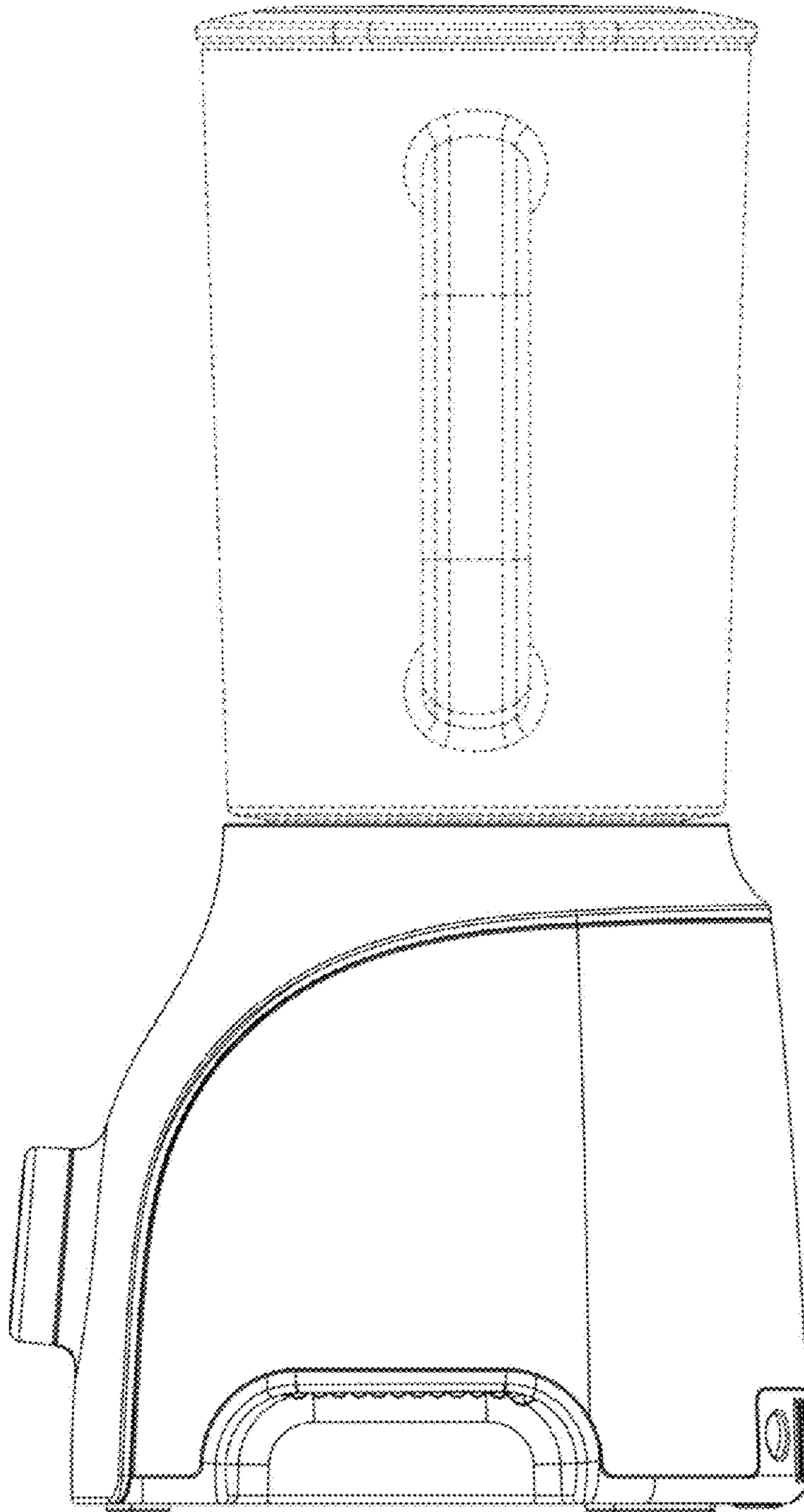


FIG. 4

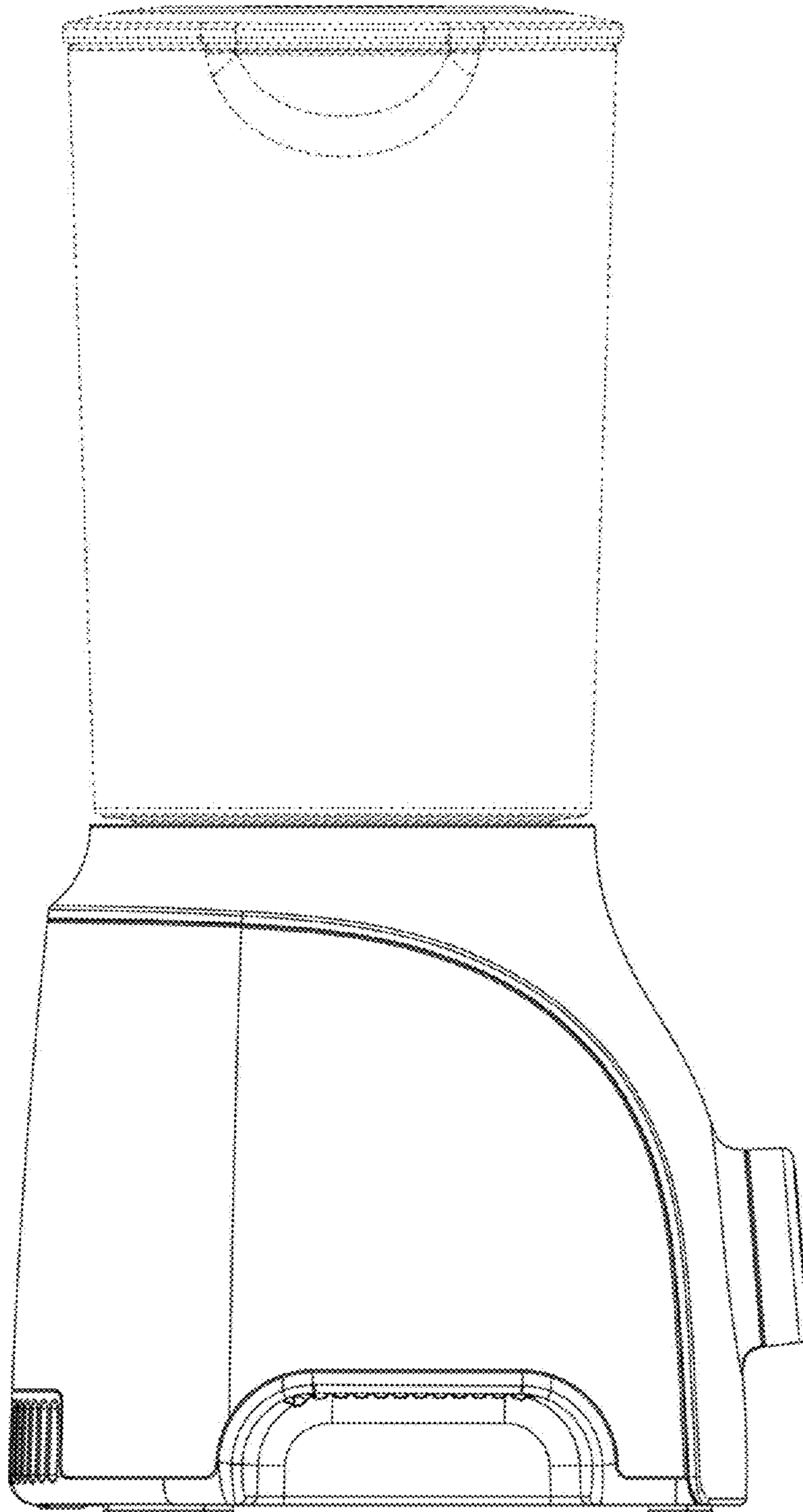


FIG. 5

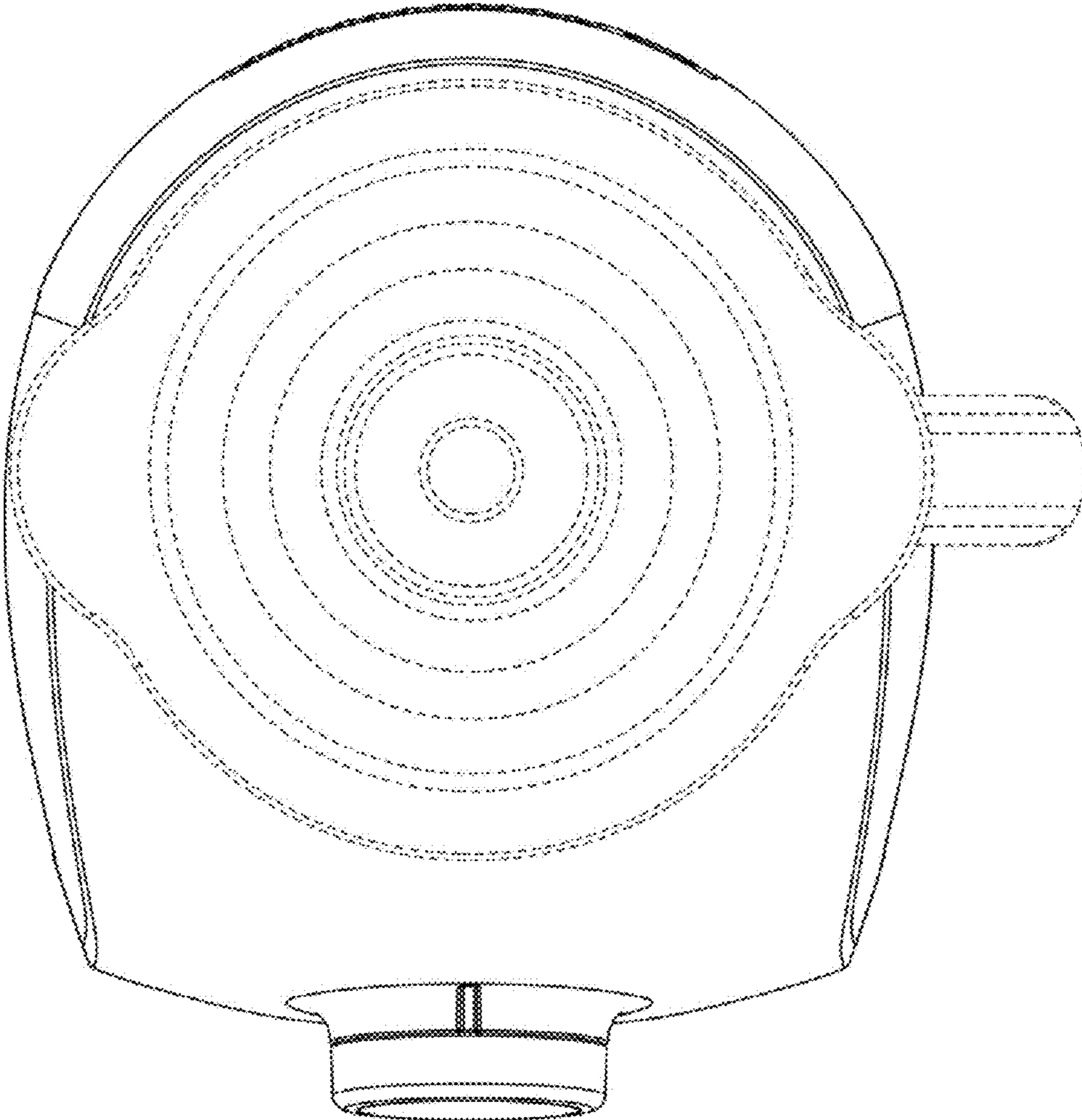


FIG. 6

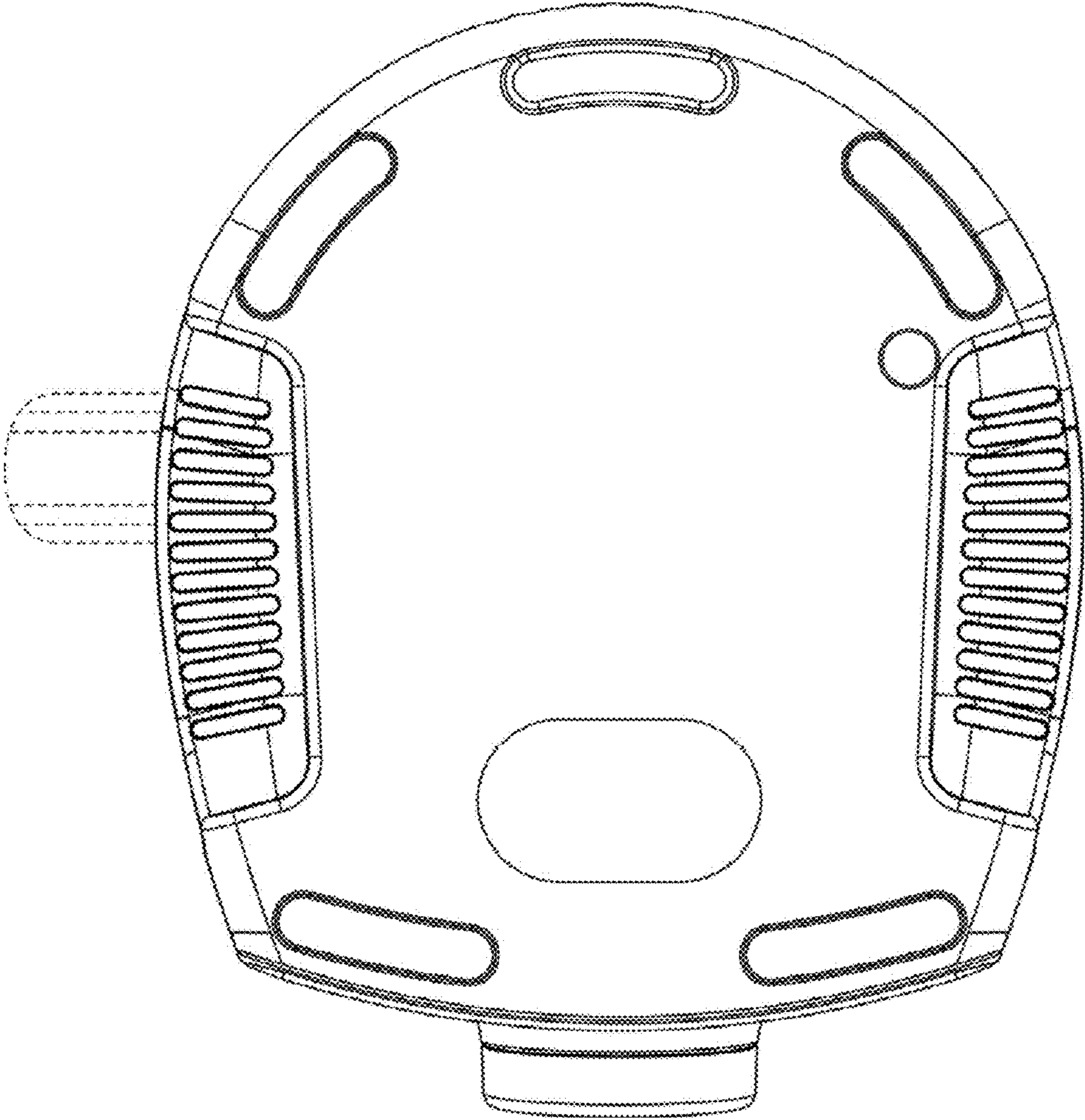


FIG. 7

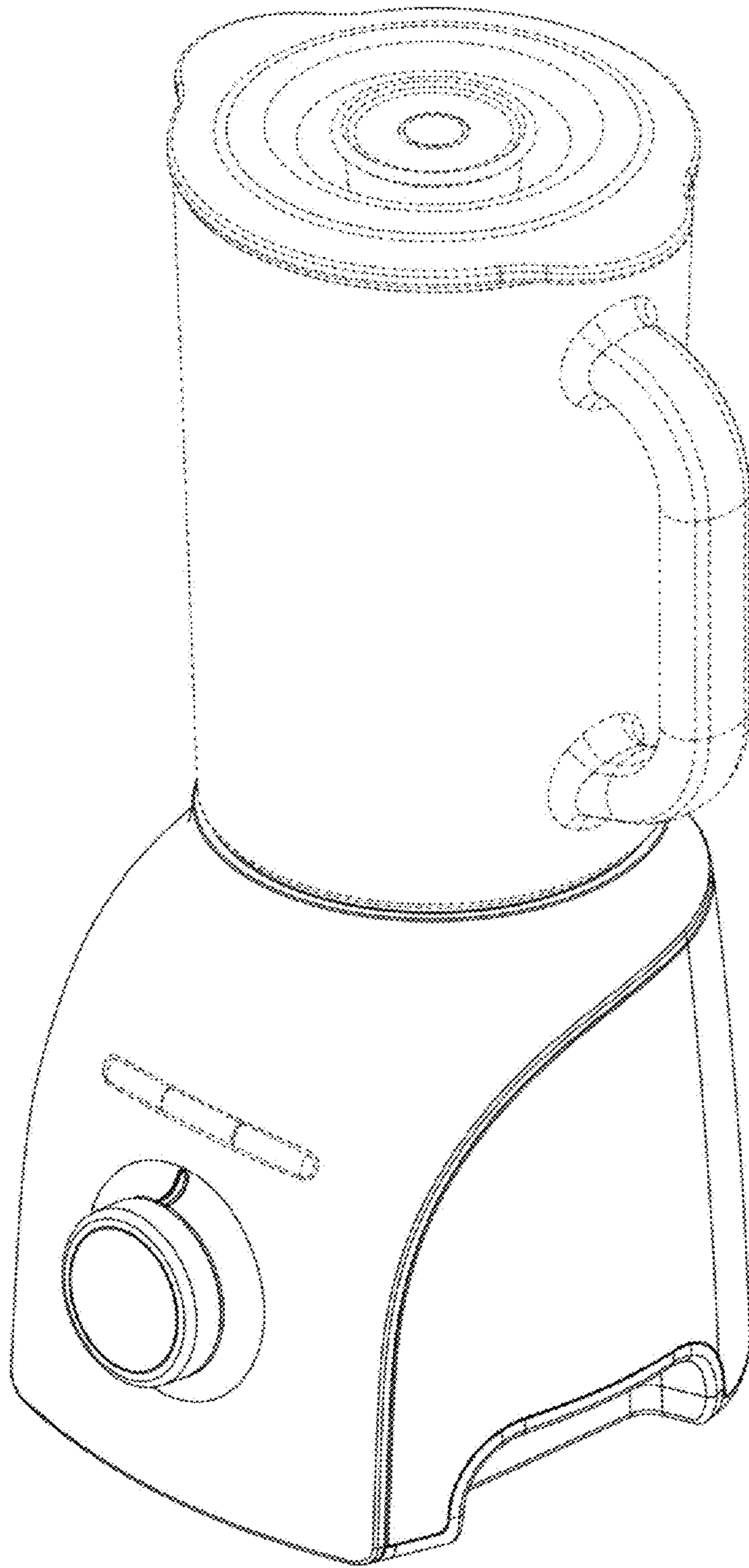


FIG. 8

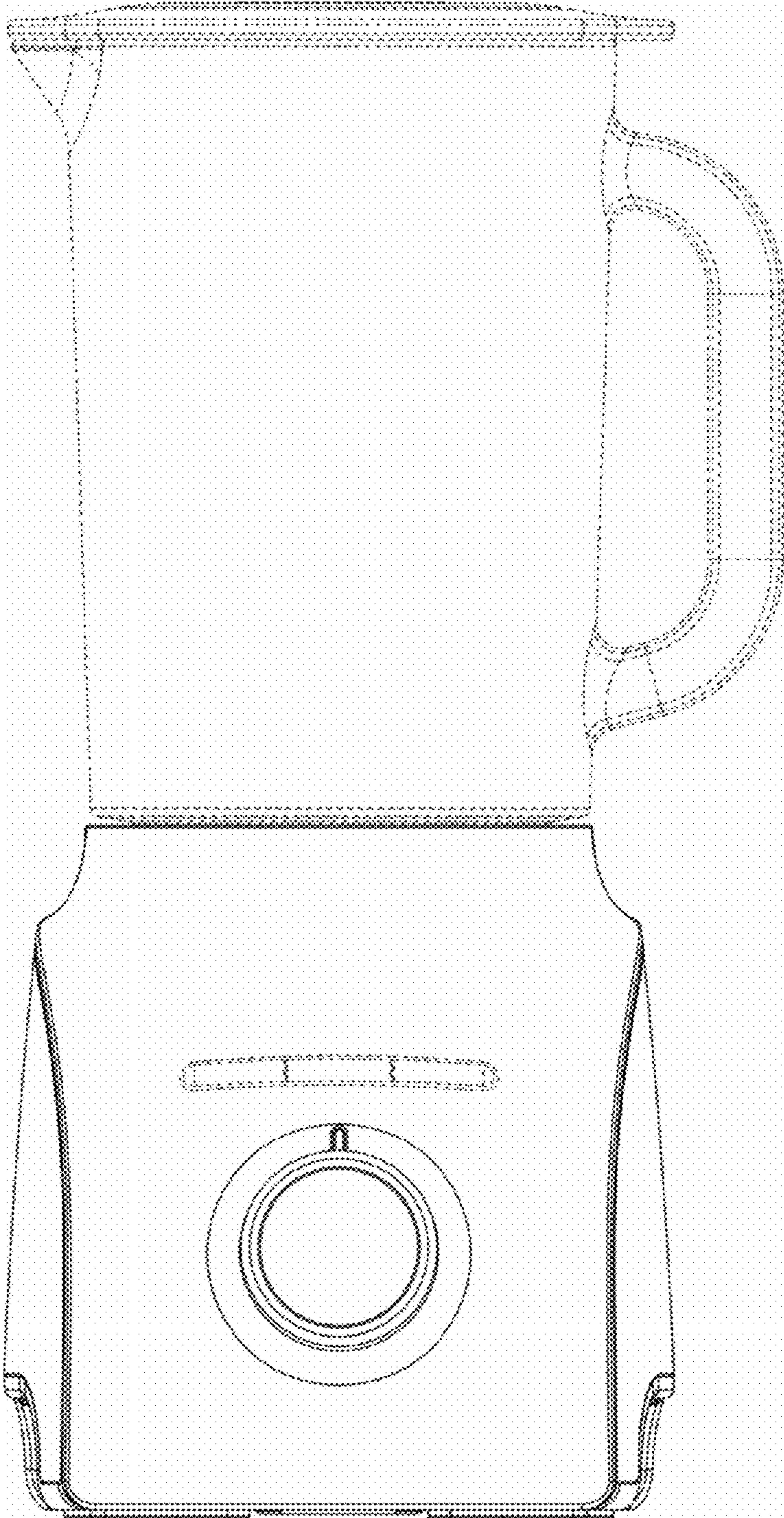


FIG. 9

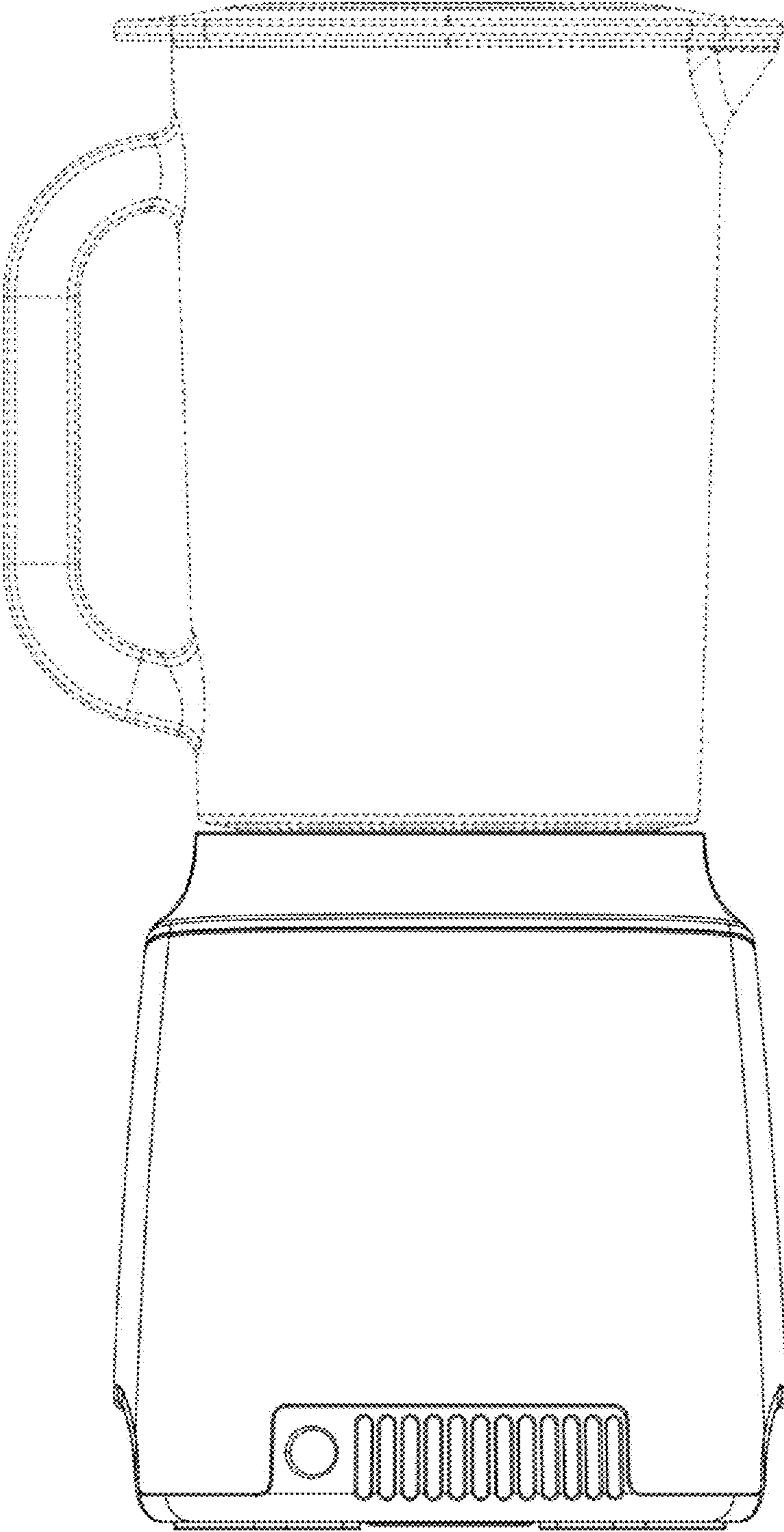


FIG. 10

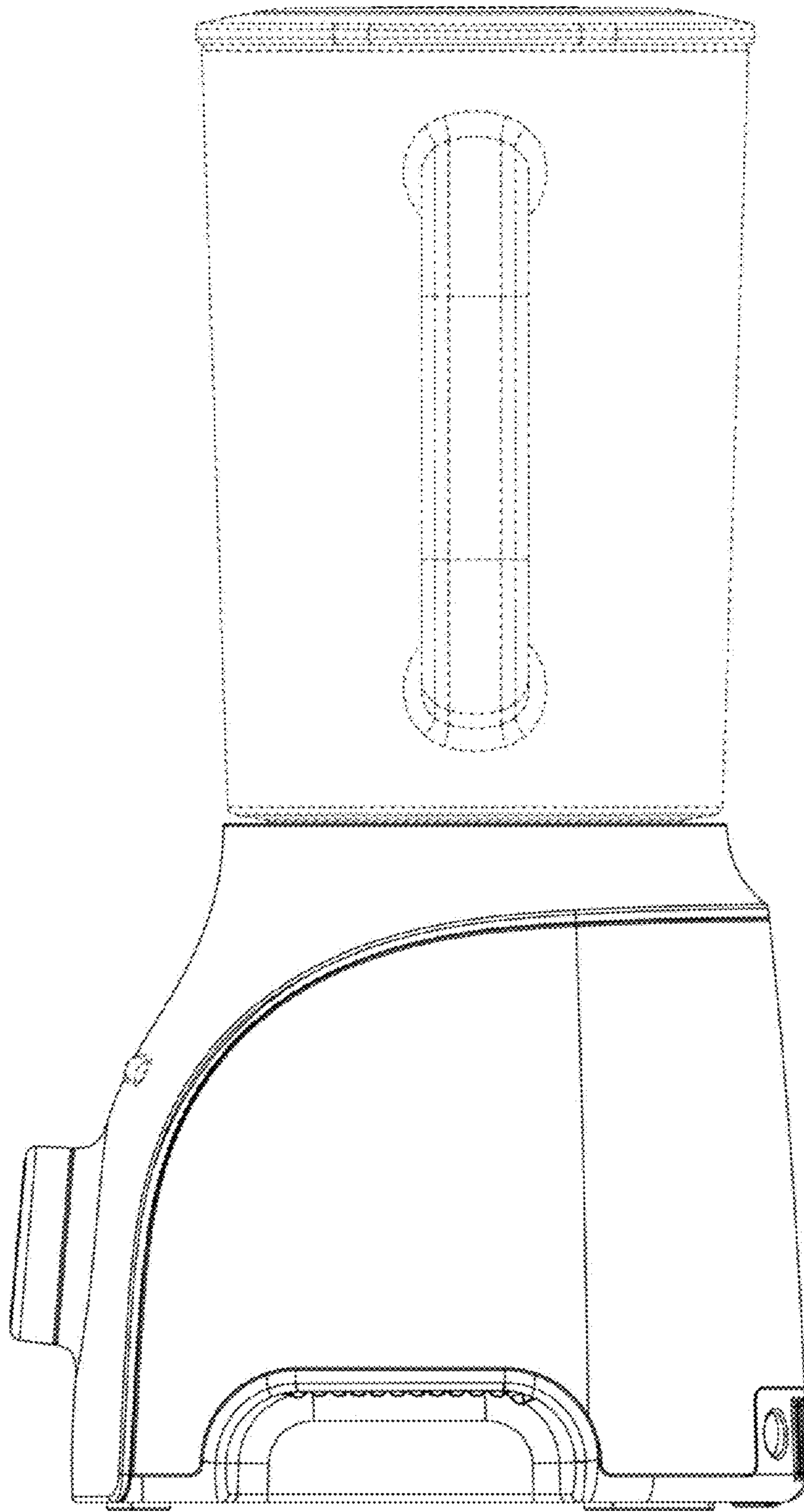


FIG. 11

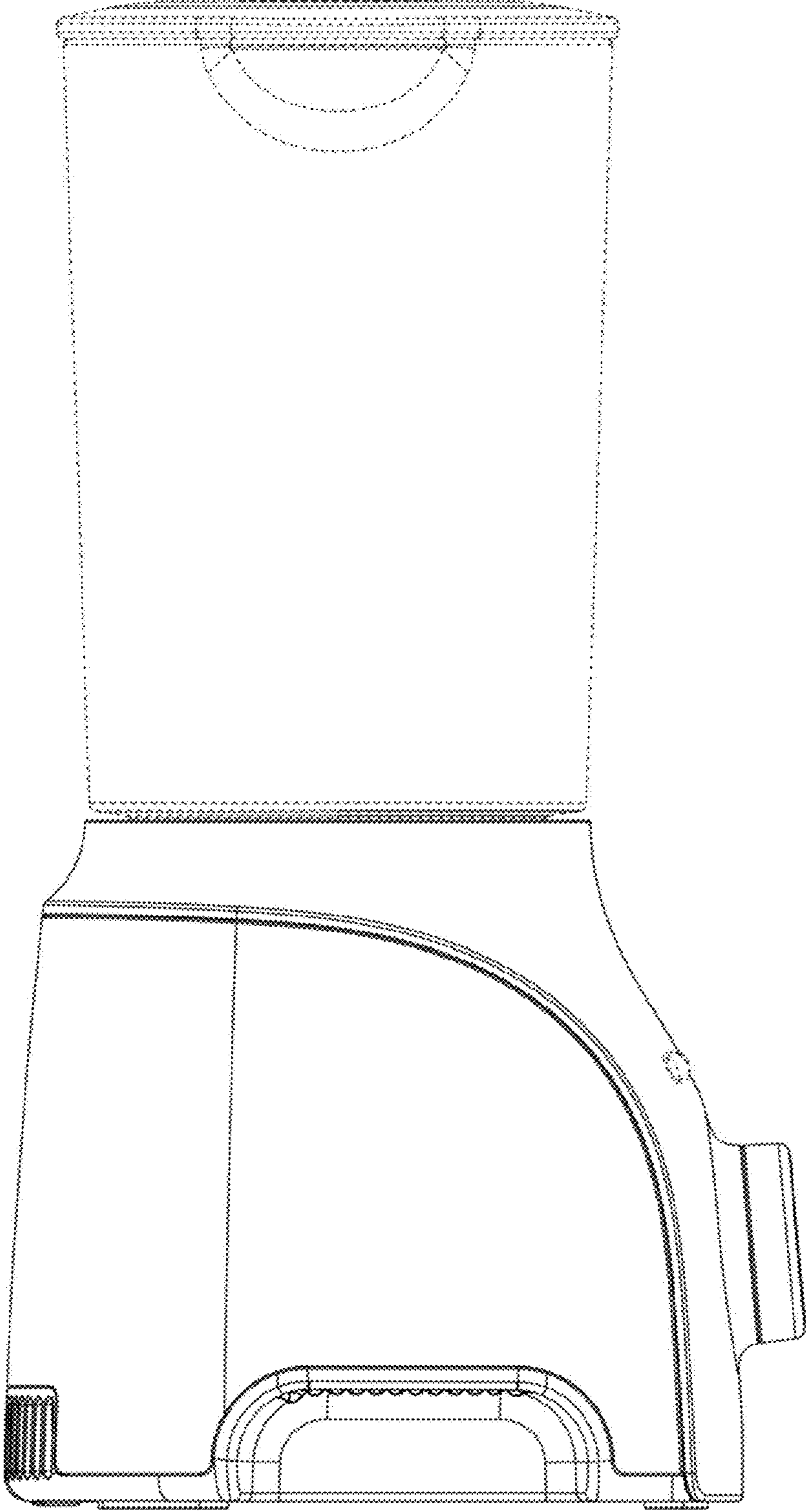


FIG. 12

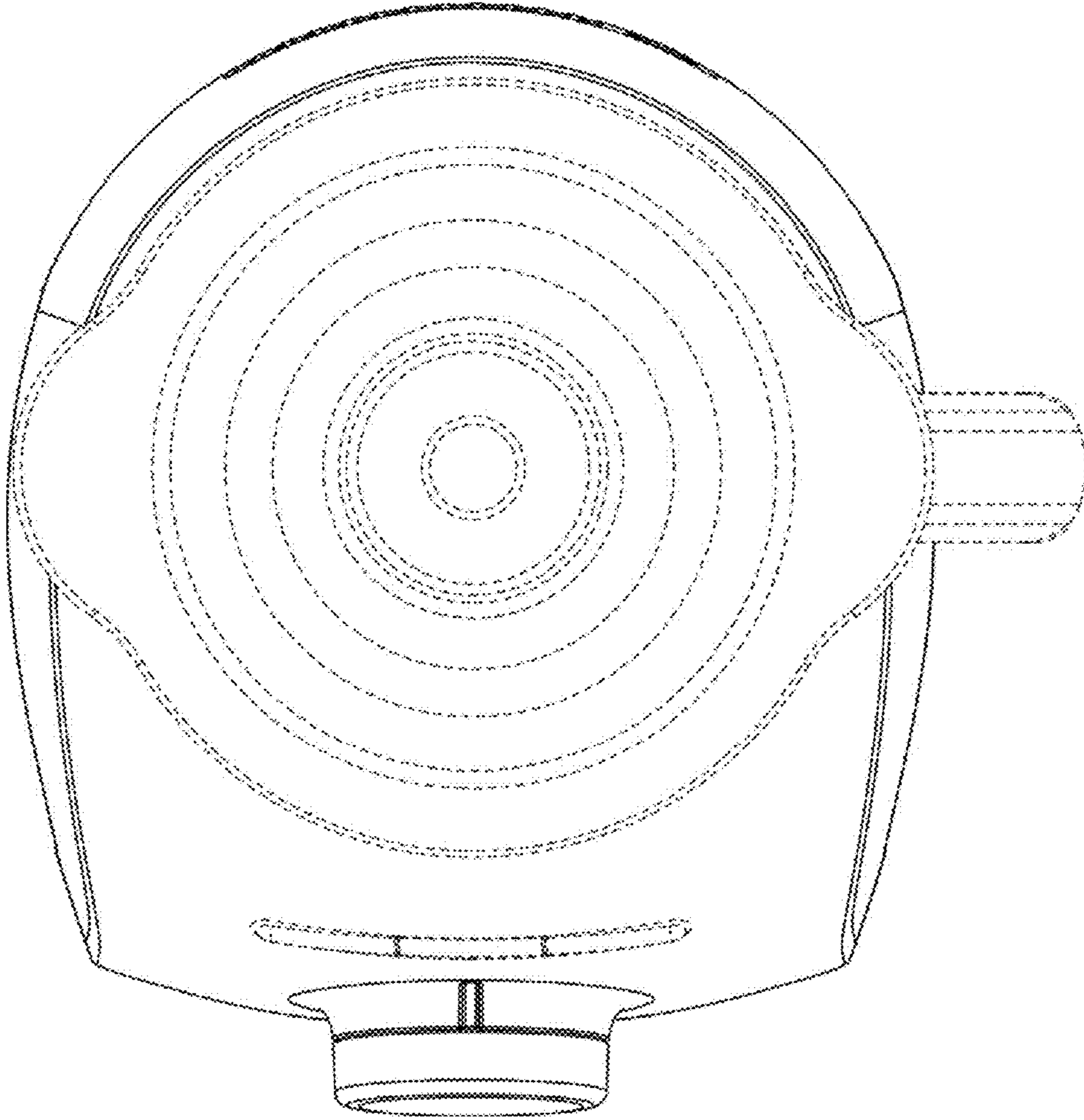


FIG. 13

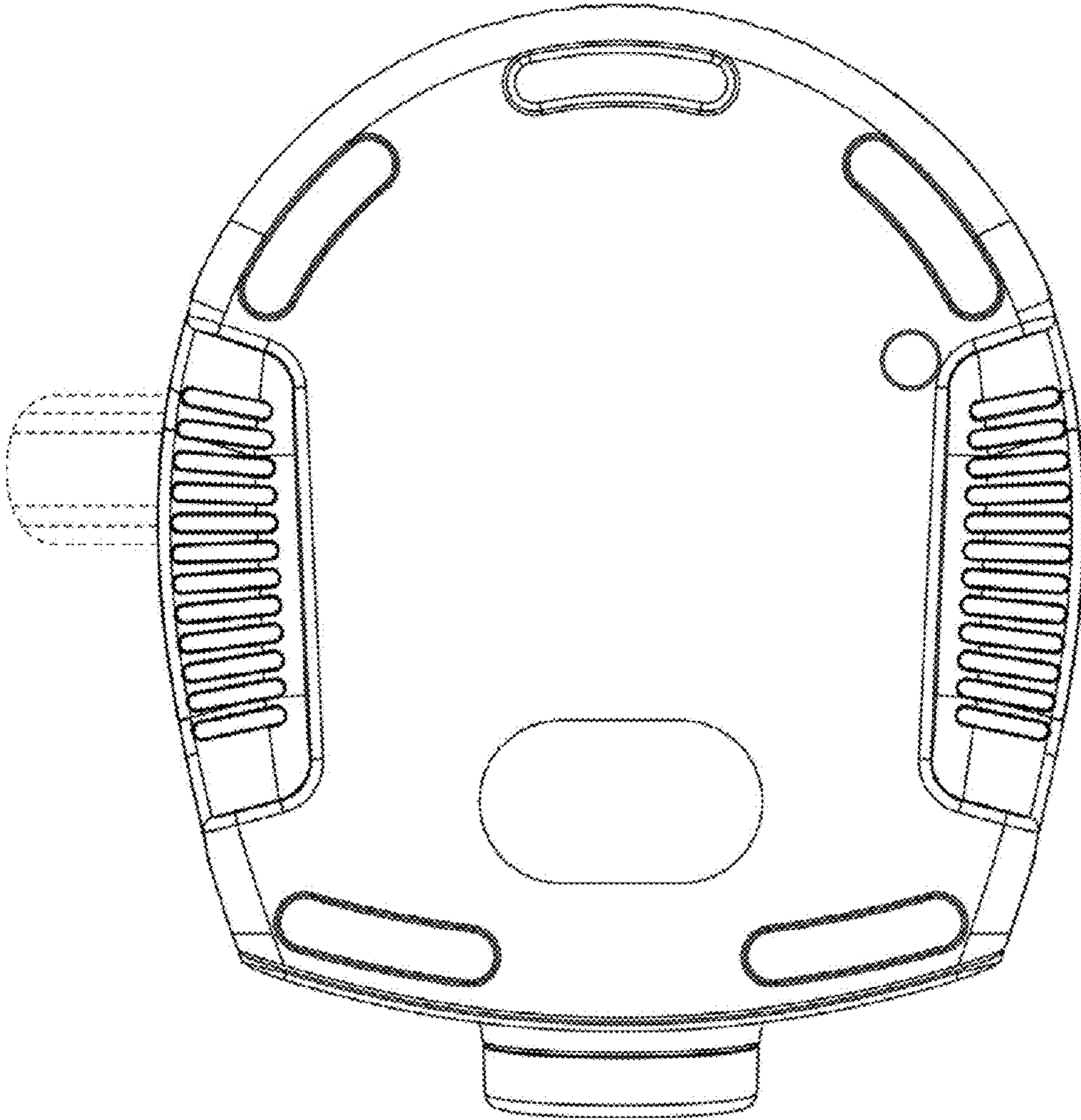


FIG. 14