

US00D765461S

(12) **United States Design Patent** (10) **Patent No.:** **US D765,461 S**
Palmer et al. (45) **Date of Patent:** **** Sep. 6, 2016**

- (54) **SPIKED FOOD-HOLDING BOWL** 4,896,011 A * 1/1990 Trucks A47J 43/18
219/720
- (71) Applicants: **Robert Dinsmore Palmer**, Paramount, CA (US); **Ivar Roth**, Newport Beach, CA (US) D307,228 S * 4/1990 Borner D7/683
5,326,086 A 7/1994 Radencic
5,542,565 A * 8/1996 Hidalgo-Lopez A47G 19/02
220/574
- (72) Inventors: **Robert Dinsmore Palmer**, Paramount, CA (US); **Ivar Roth**, Newport Beach, CA (US) 5,664,474 A * 9/1997 Punt A47J 47/005
269/290
- (**) Term: **15 Years** D406,498 S * 3/1999 Zirbes D7/669
D422,853 S * 4/2000 Cheslow D7/683
6,135,307 A * 10/2000 Fahy A47G 19/02
220/521
- (21) Appl. No.: **29/548,622** 6,422,525 B1 7/2002 McAdam
D567,583 S * 4/2008 Klotz D7/412
2006/0157599 A1 * 7/2006 Klotz A47J 43/25
241/95
- (22) Filed: **Dec. 15, 2015** 2012/0180612 A1 * 7/2012 Holcomb B26D 1/06
83/613
- (51) **LOC (10) Cl.** **07-06**
(52) **U.S. Cl.**
USPC **D7/368**
- (58) **Field of Classification Search**
USPC D7/368, 669, 683, 584, 586, 587;
D8/71
CPC A47J 43/18; A47J 43/25; A22C 17/02;
A47G 19/02
See application file for complete search history.

* cited by examiner

Primary Examiner — Terry Wallace

(74) *Attorney, Agent, or Firm* — Quickpatents, LLC; Kevin Prince

(57) **CLAIM**

We claim the ornamental design for a spiked food-holding bowl, as shown and described.

DESCRIPTION

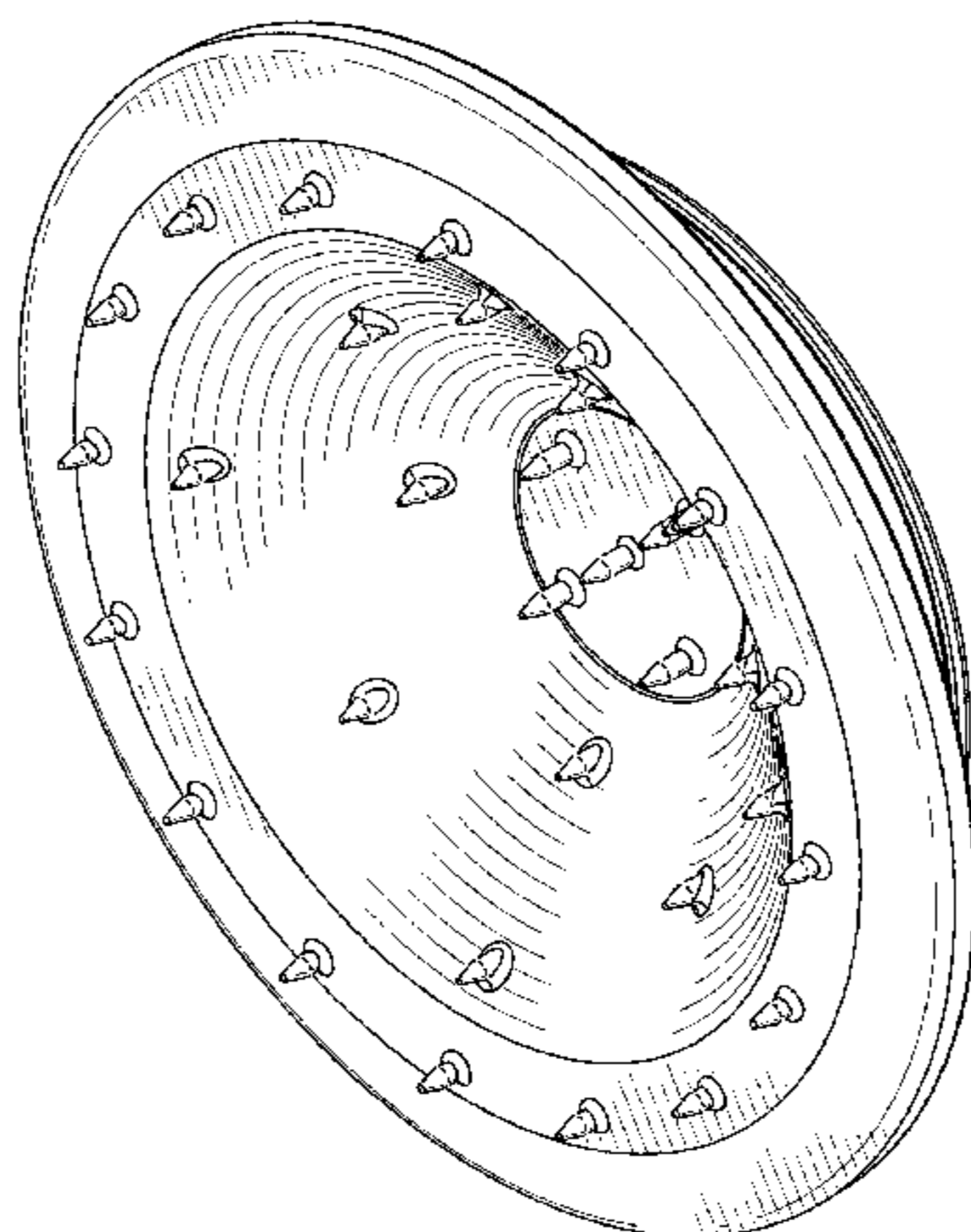
FIG. 1 is a top perspective view of a spiked food-holding bowl, showing a first embodiment of our new design;
FIG. 2 is a front elevational view thereof, the rear elevational view, right-side elevational view, and left-side elevational view all being identical thereto;
FIG. 3 is a top plan view thereof;
FIG. 4 is a bottom plan view thereof; and,
FIG. 5 is a cross-sectional view thereof.
The broken lines across a middle portion of each upwardly-facing spike in the drawings depict portions thereof that form no part of the claimed design.

1 Claim, 3 Drawing Sheets

(56) **References Cited**

U.S. PATENT DOCUMENTS

- 93,844 A 8/1869 Sykes
1,471,122 A 10/1932 Greaves
2,257,970 A 10/1941 Long
2,751,951 A * 6/1956 Strathaus A47J 47/005
269/15
2,953,180 A * 9/1960 Kyles A47G 19/02
269/310
3,010,500 A * 11/1961 Jordan A22C 17/02
269/3
3,030,994 A * 4/1962 Wysowski A22C 17/02
269/13
3,596,354 A 8/1971 Emerson
4,140,340 A 2/1979 Cloutier
4,558,197 A * 12/1985 Wyatt H05B 6/6408
219/732



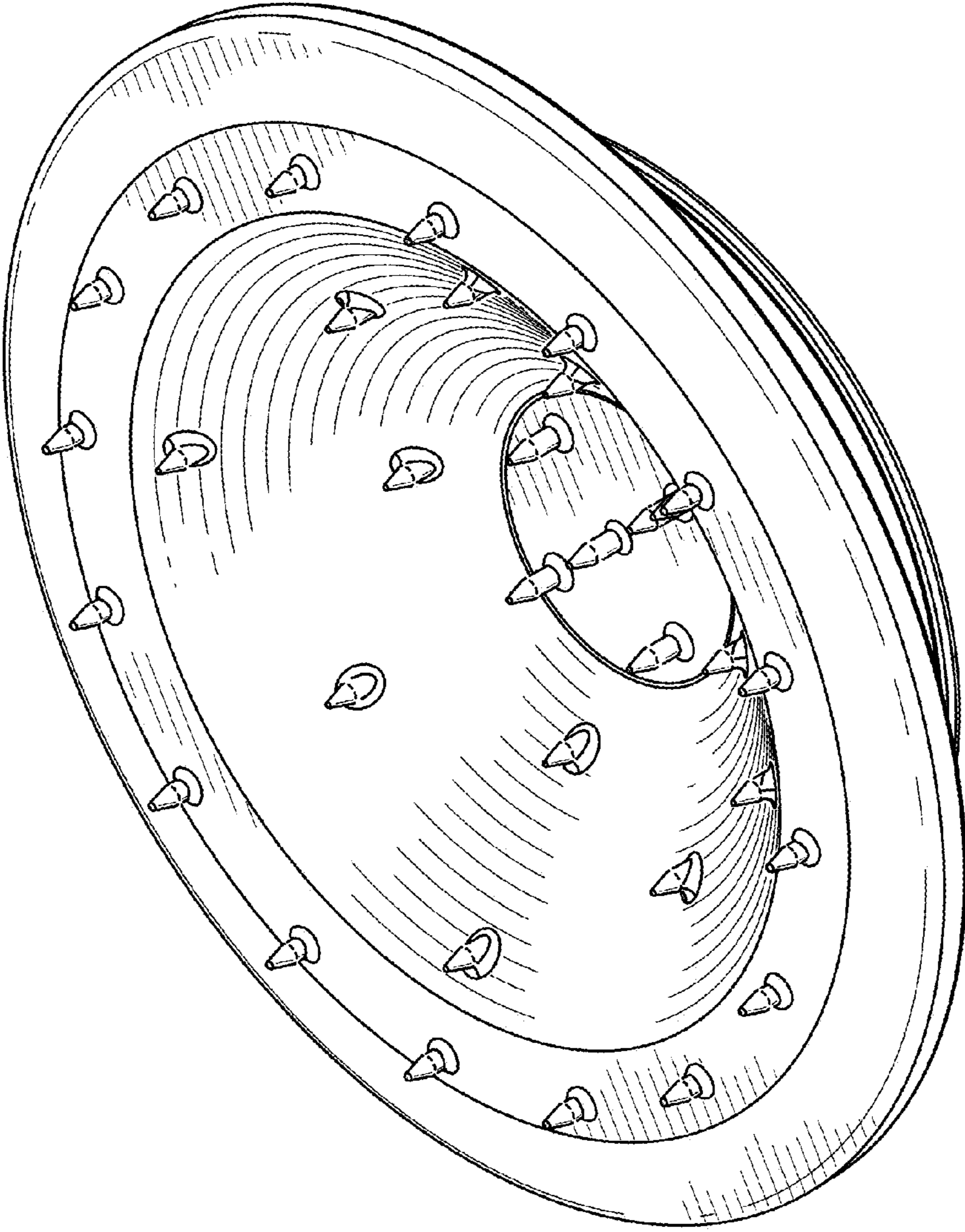


FIG. 1

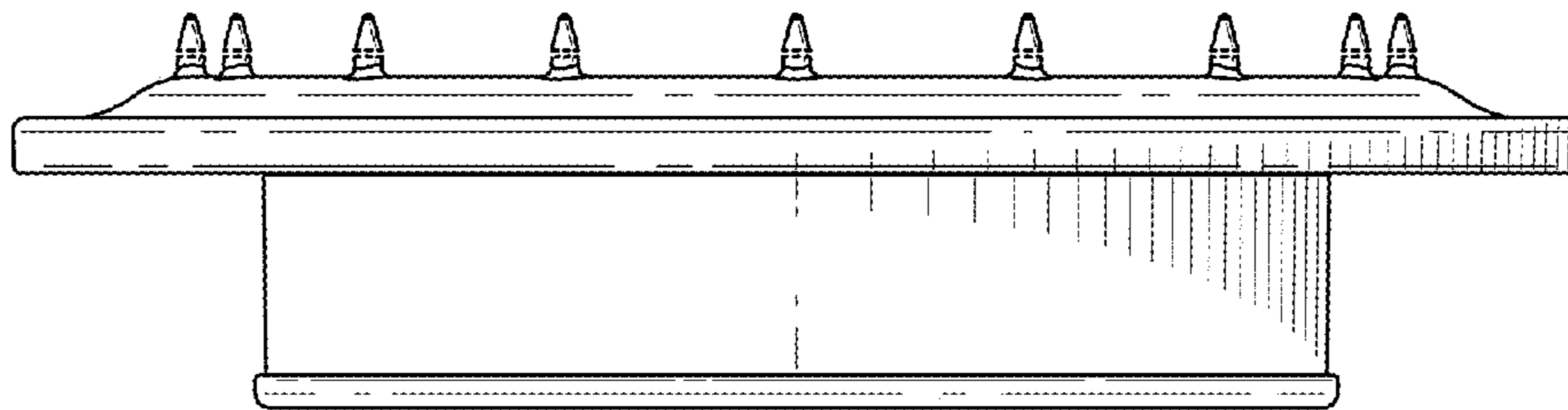


FIG. 2

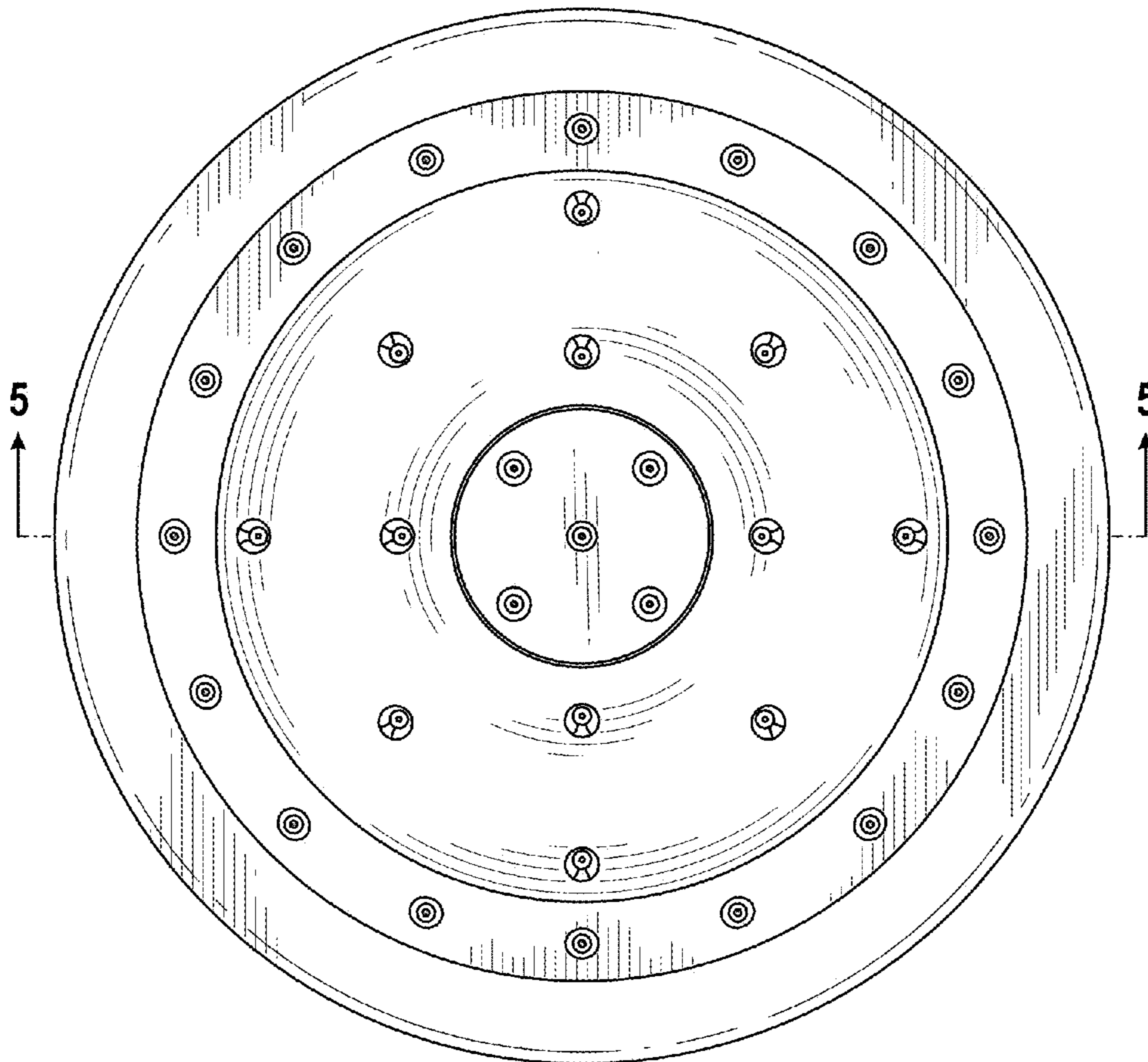


FIG. 3

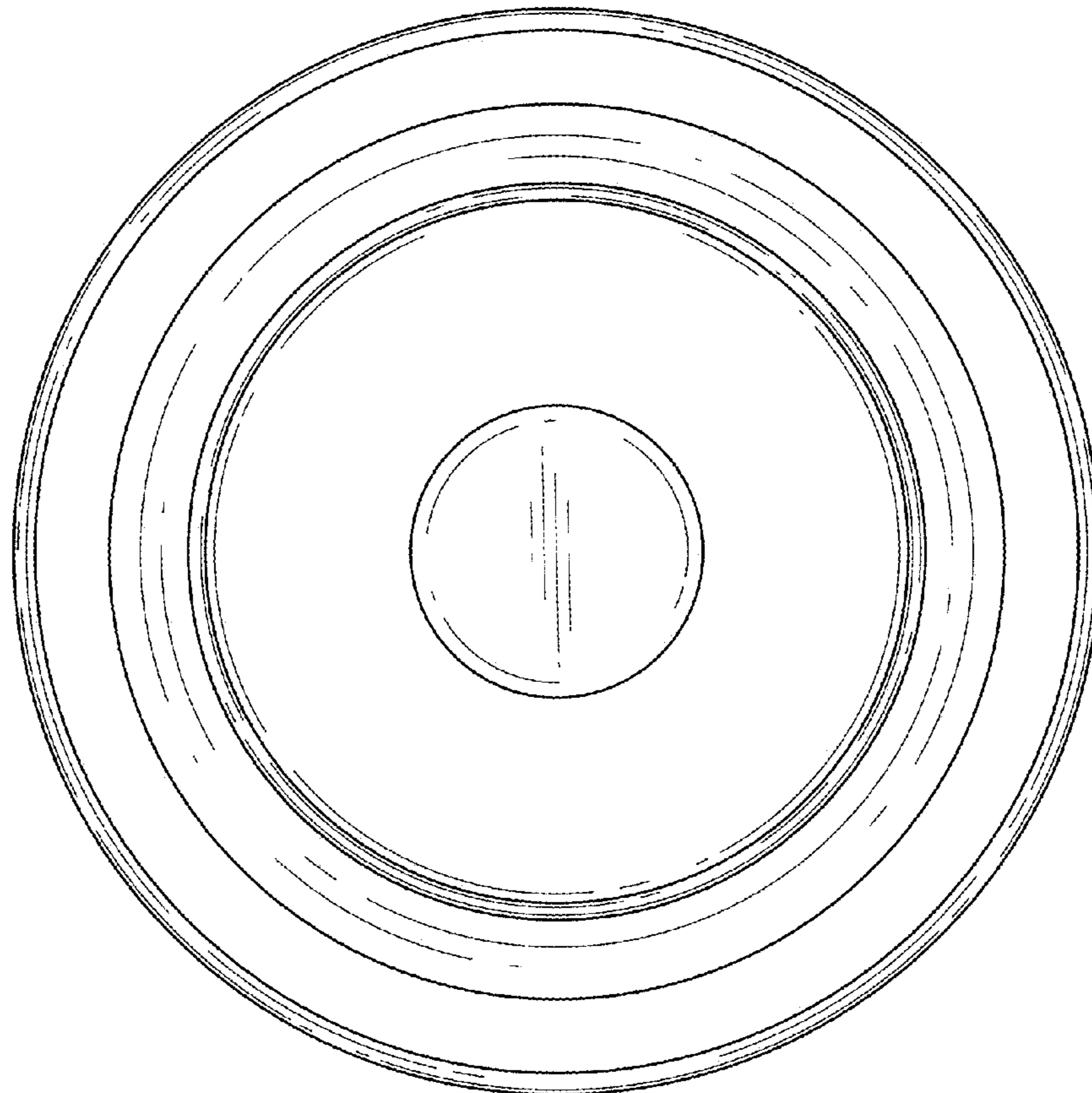


FIG. 4

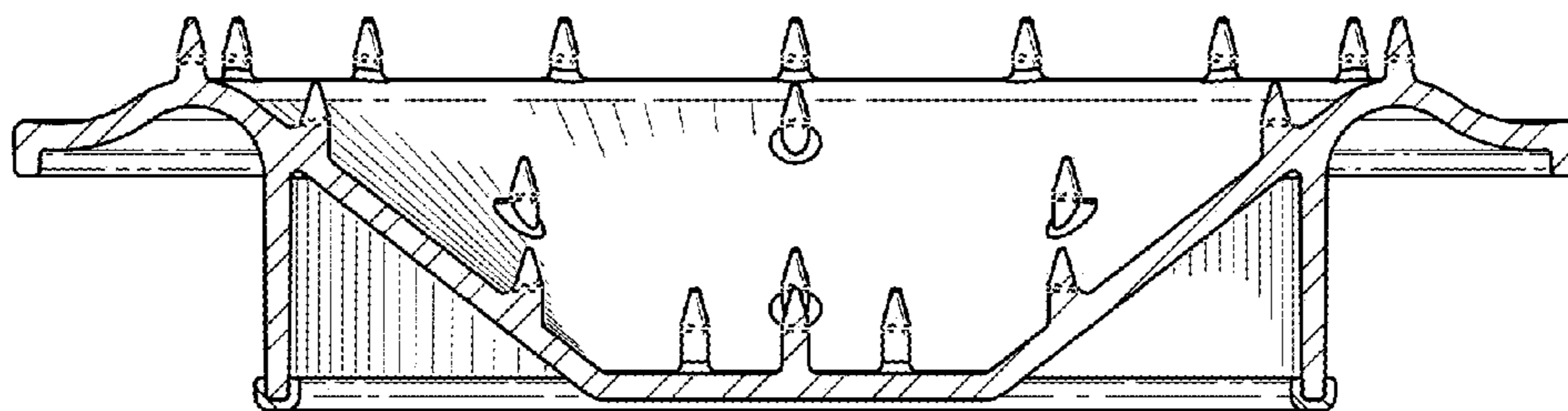


FIG. 5